

EGHUUN

INSTALLATION CATALOGUE

FREE-STANDING

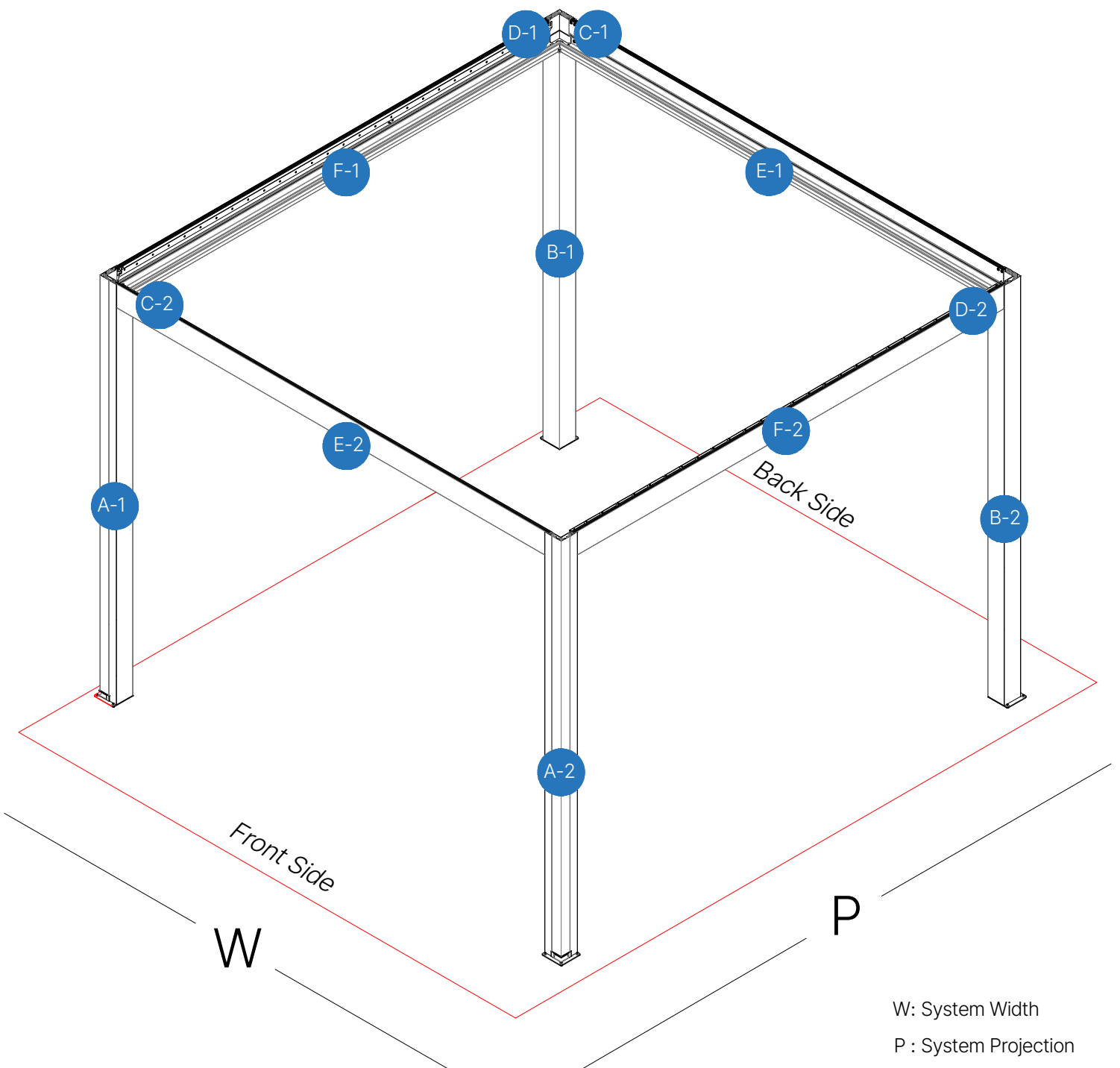
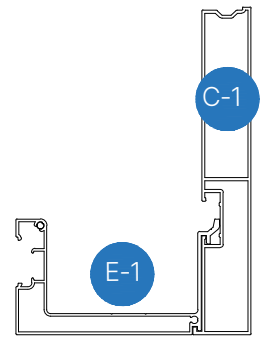
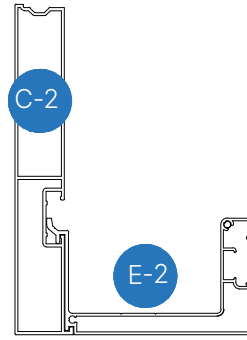
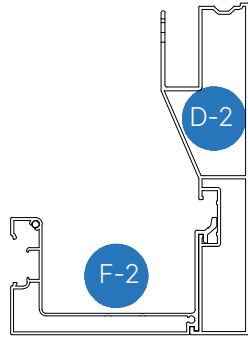
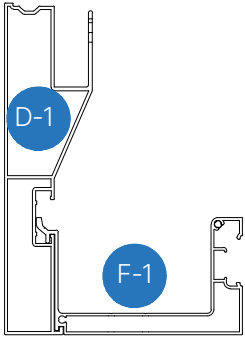
CM-1.3.2502



PERGOLA MEZZO

EN

4x4/4x5 System



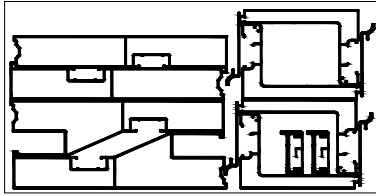
W: System Width
P : System Projection

Contents

Box Contents for 4x4 System	1
Box Contents for 4x5 System	2-3
Necessary Tools for The Ecoclimatic System	4
Ecoclimatic Profiles For First Step	5
Ecoclimatic Accessories For First Step.....	6-8
Ecoclimatic First Step : Making Frame	9-21
Ecoclimatic Profiles For Second Step	22
Ecoclimatic Accessories For Second Step.....	23-26
Ecoclimatic Second Step : Preparing Blades	27
Ecoclimatic Second Step : Preparing Motor Blades	28
Ecoclimatic Second Step : Mounting Roof	29-40
Led Installation	41-44
Electrical Wiring	45-47

Box Contents For 4x4 System

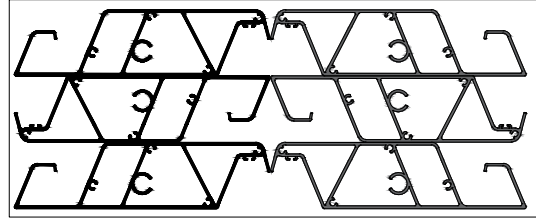
F7



M7034 (C1-C2) x2
 M7033 (E1-E2-F1-F2) x4
 M7035 (D1-D2) x2
 M7031 x2
 M7201 x2

1x

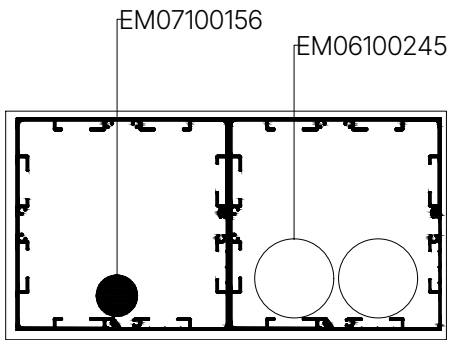
L3



M7400 x6

5x

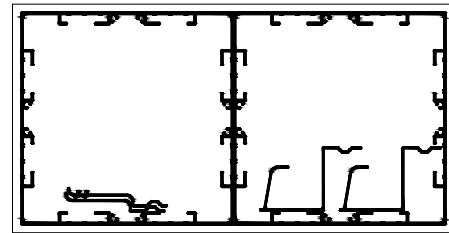
P1



M7037 (A1-A2) x2
 M7028 (A1-A2) x2
 EM07100156 x1
 EM06100245 x2

1x

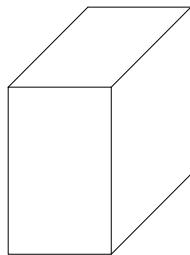
P7



M7137 (B1-B2) x2
 M7029 x2
 M7030 x2

1x

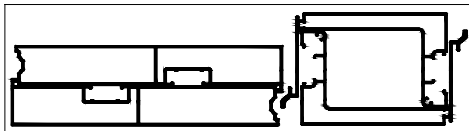
A3



1x

Box Contents For 4x5 System

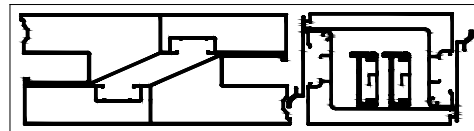
F3



M7034 (C1-C2) x2
M7033 (E1-E2) x2

1x

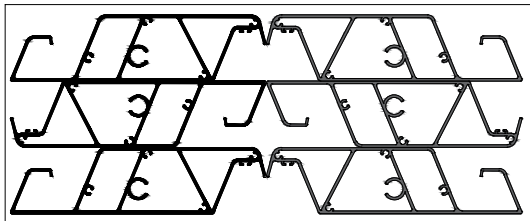
F4



M7035 (D1-D2) x2
M7033 (F1-F2) x2
M7031 x2
M7201 x2

1x

L3



M7400 x6

6x

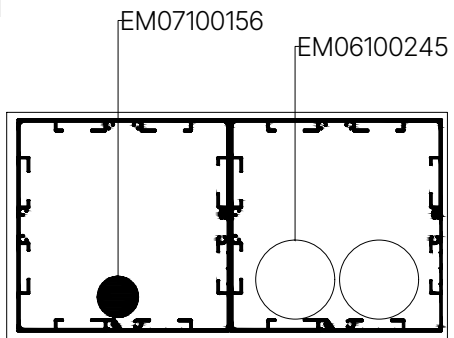
L4



M7400 x2

1x

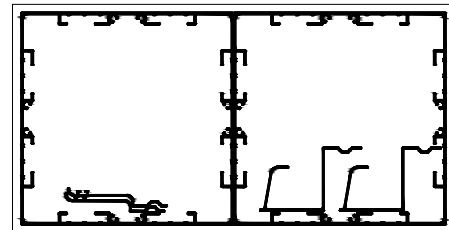
P1



M7037 (A1-A2) x2
M7028 (A1-A2) x2
EM07100156 x1
EM06100245 x2

1x

P7

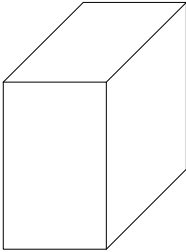


M7137 (B1-B2) x2
M7029 x2
M7030 x2

1x

Box Contents For 4x5 System

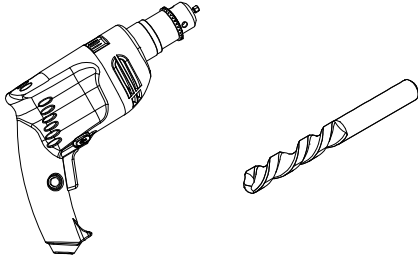
A4



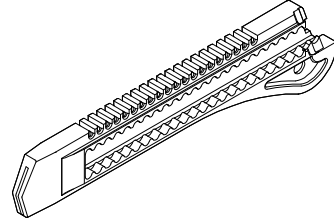
1x

Necessary Tools for The Ecoclimatic System

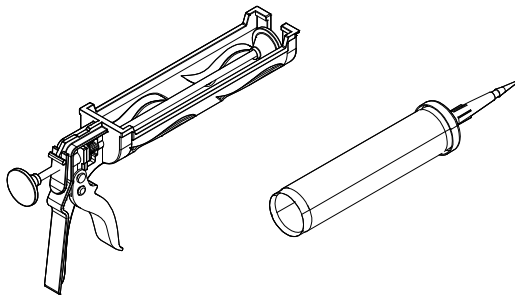
Cordless Drill & Drilling Bit (8 mm)



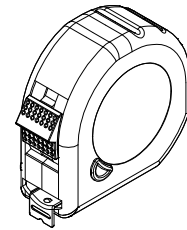
Carpet Knife



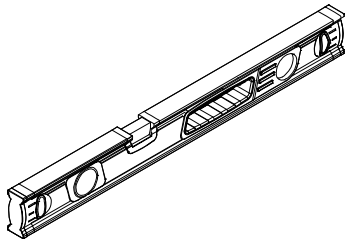
Silicon Gun & Silicon



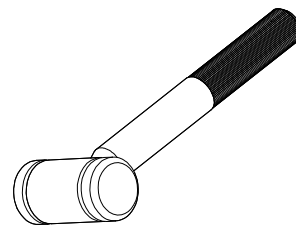
Tape Measure



Water Level

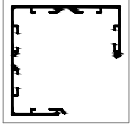


Knob

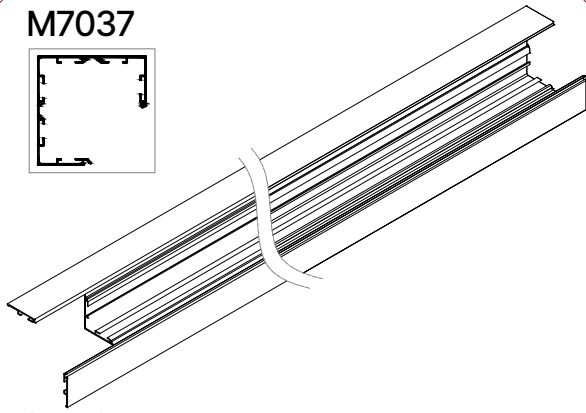


Ecoclimatic Profiles For First Step

M7037

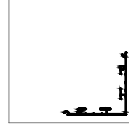


A-1 A-2

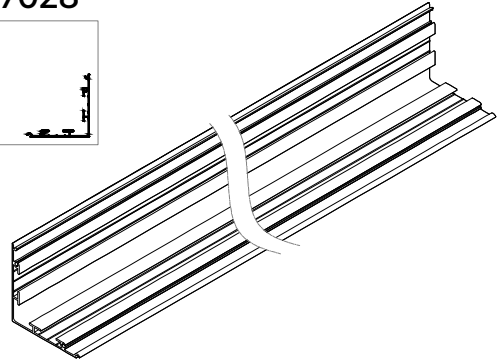


For 4x4 meters systems : 2 pcs
For 4x5 meters systems : 2 pcs

M7028

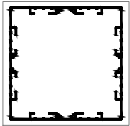


A-1 A-2

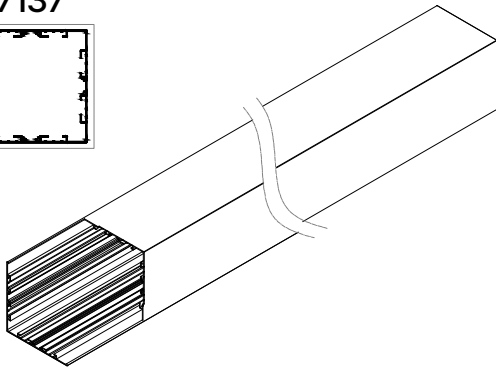


For 4x4 meters systems : 2 pcs
For 4x5 meters systems : 2 pcs

M7137



B-1 B-2

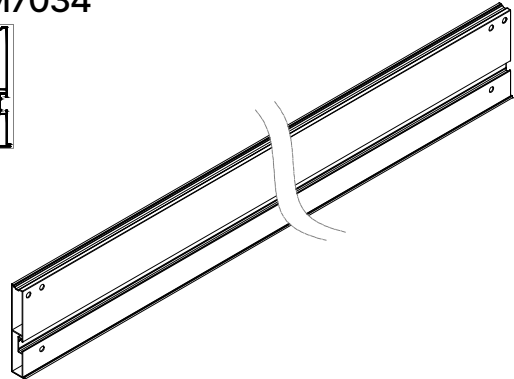


For 4x4 meters systems : 2 pcs
For 4x5 meters systems : 2 pcs

M7034



C-1 C-2

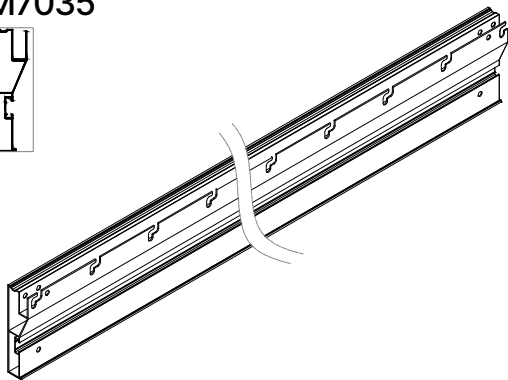


For 4x4 meters systems : 2 pcs
For 4x5 meters systems : 2 pcs

M7035



D-1 D-2

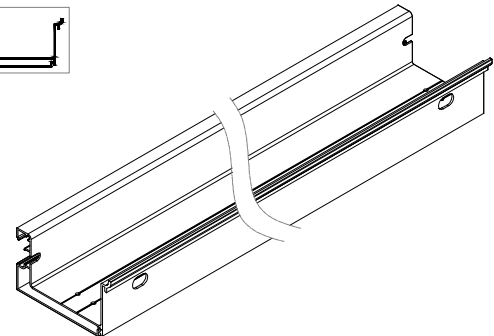


For 4x4 meters systems : 2 pcs
For 4x5 meters systems : 2 pcs

M7033



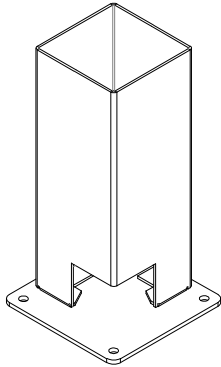
E-1 E-2 F-1 F-2



For 4x4 meters systems : 4 pcs
For 4x5 meters systems : 4 pcs

Ecoclimatic Accessories For First Step

EM07100104

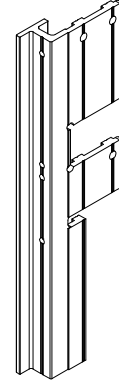


For 4x4 meters systems : 4 pcs
For 4x5 meters systems : 4 pcs

EM07200027



This product has a direction

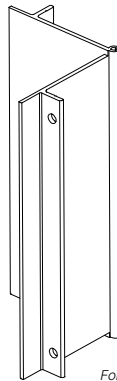


For 4x4 meters systems : 8 pcs
For 4x5 meters systems : 8 pcs

EM07200028



This product has a direction

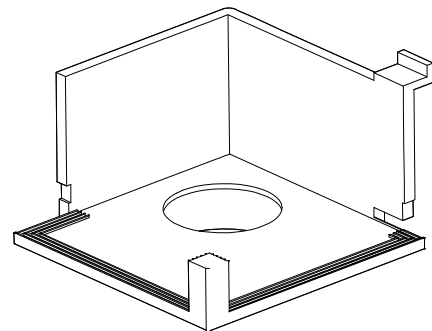


For 4x4 meters systems : 4 pcs
For 4x5 meters systems : 4 pcs

EM06100186

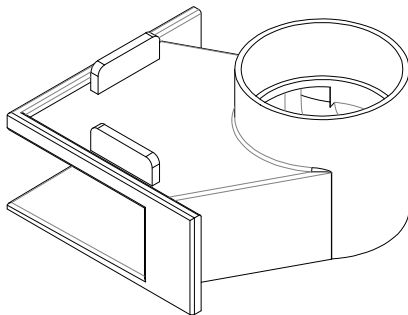


This product has a direction



For 4x4 meters systems : 4 pcs
For 4x5 meters systems : 4 pcs

EM06100229 - (Black)
EM06100295 - (White)



For 4x4 meters systems : 2 pcs
For 4x5 meters systems : 2 pcs

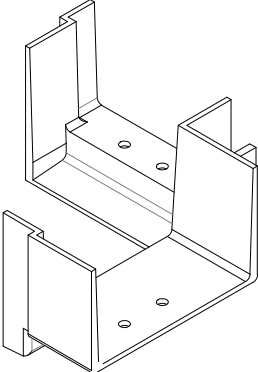
EM06100245



For 4x4 meters systems : 2 pcs
For 4x5 meters systems : 2 pcs

Ecoclimatic Accessories For First Step

EM06100292



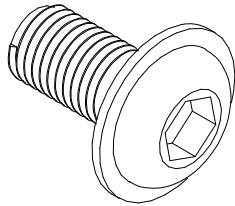
For 4x4 meters systems : 4 pcs

For 4x5 meters systems : 4 pcs

Ecoclimatic Accessories For First Step

EM10200006

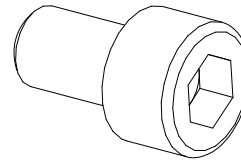
M8X12 Bolt



*For 4x4 meters systems : 24 pcs
For 4x5 meters systems : 24 pcs*

EM10200025

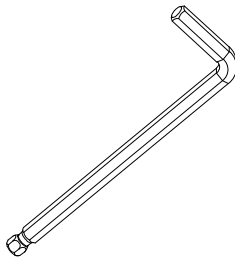
M6X12 Imbus



*For 4x4 meters systems : 16 pcs
For 4x5 meters systems : 16 pcs*

Allen Key -

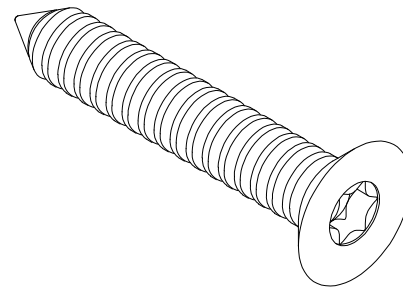
EM13000062 & EM13000063



*For 4x4 meters systems : 2 pcs
For 4x5 meters systems : 2 pcs*

EM10100005

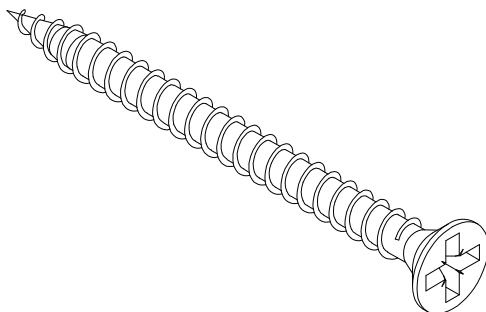
7,5x100 mm Buldex Screw



*For 4x4 meters systems : 12 pcs
For 4x5 meters systems : 12 pcs*

EM10100030

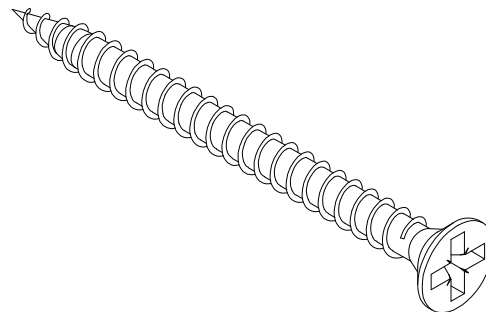
3,9x25mm Screw



*For 4x4 meters systems : 16 pcs
For 4x5 meters systems : 32 pcs*

EM10100017

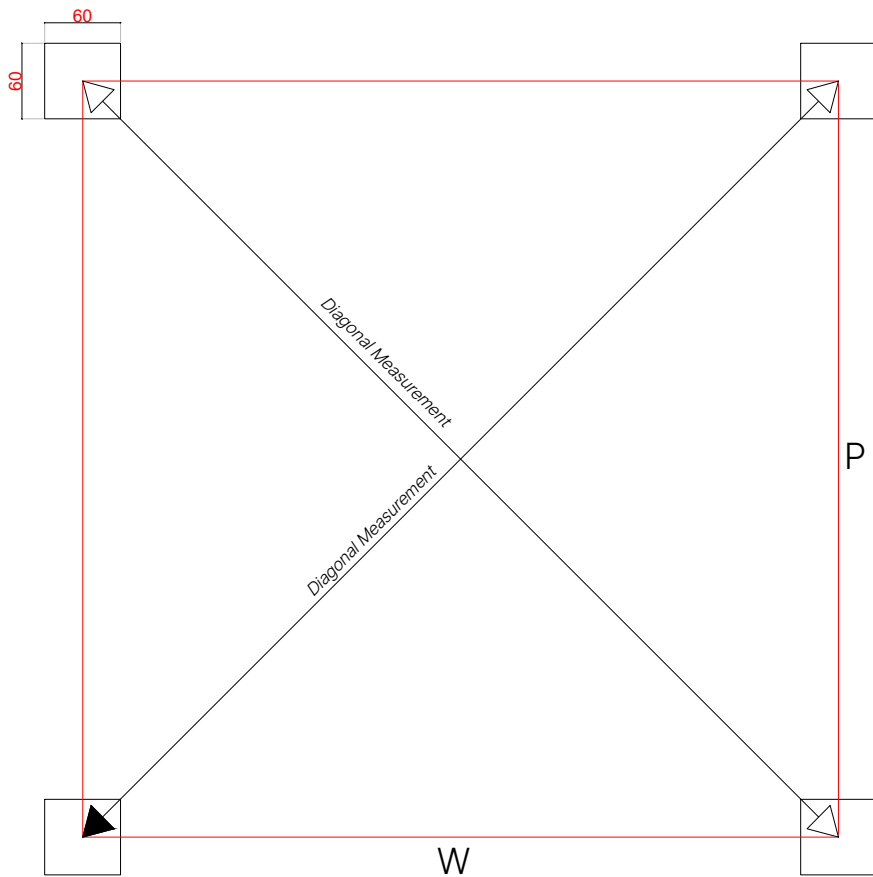
3,9x38mm Screw



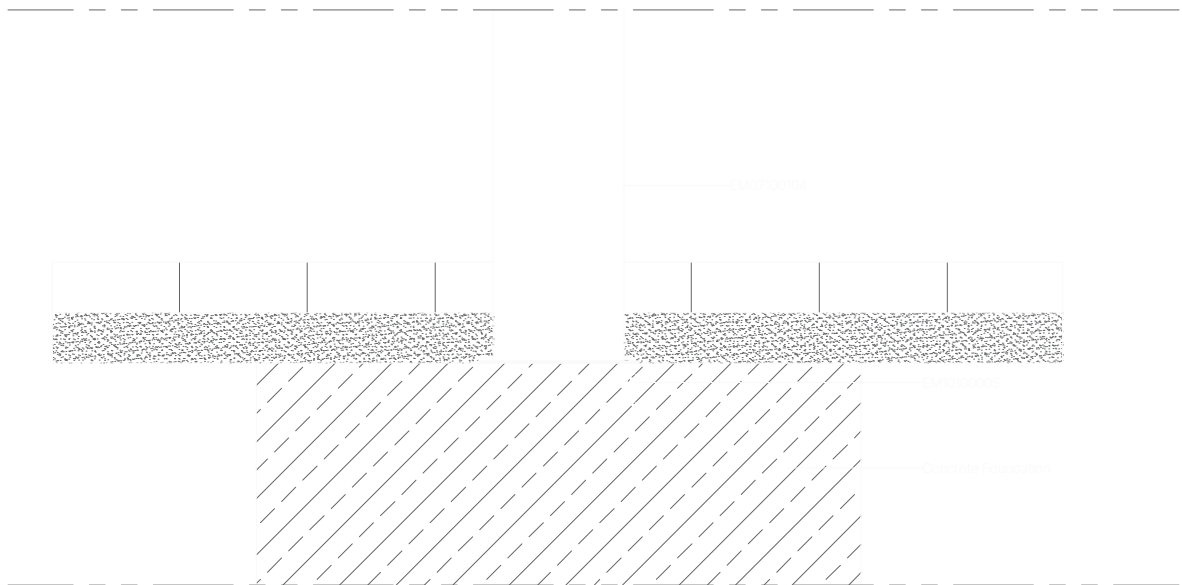
*For 4x4 meters systems : 8 pcs
For 4x5 meters systems : 8 pcs*

*The ground where the system will be installed needs to be flat.

*The locations where the pillars of the system will be positioned need to have reinforced ground.



- ⚠ If your system is 4x4 meters, then the diagonal measurement should be 553 cm.
- ⚠ If your system is 4x5 meters, then the diagonal measurement should be 632 cm.

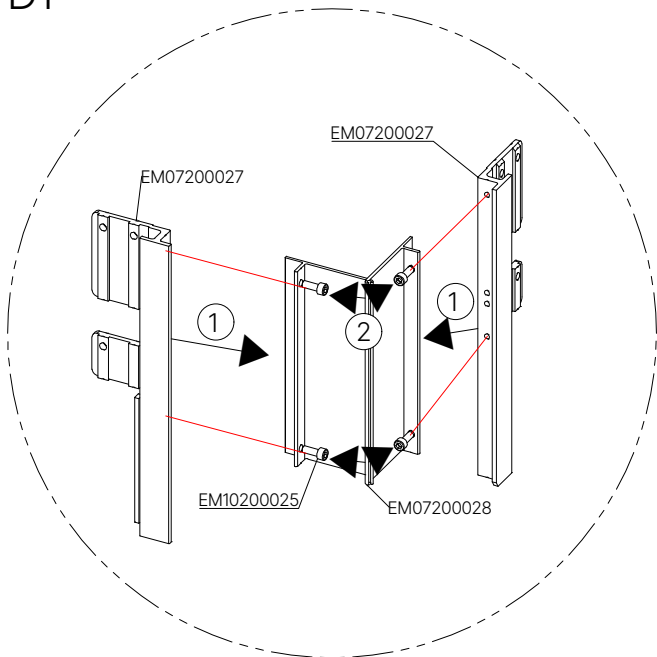


Section Detail

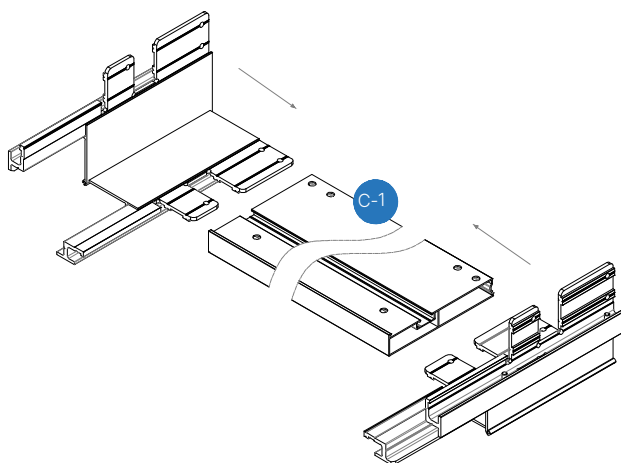
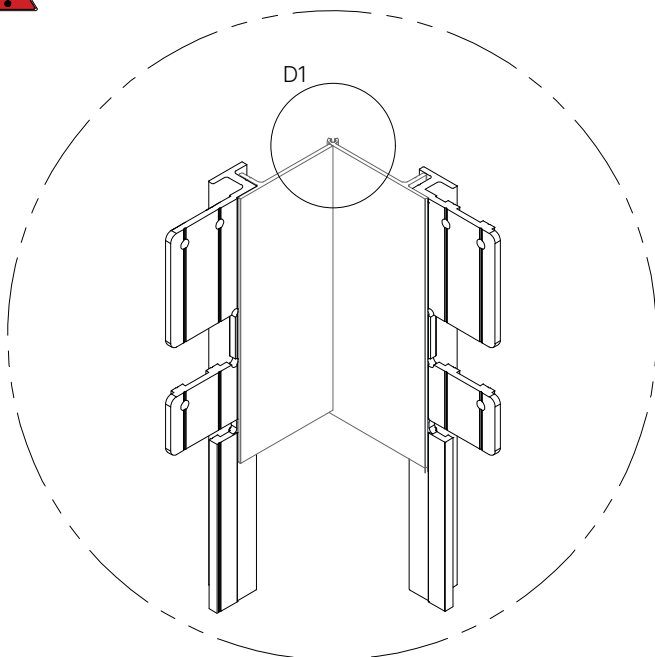
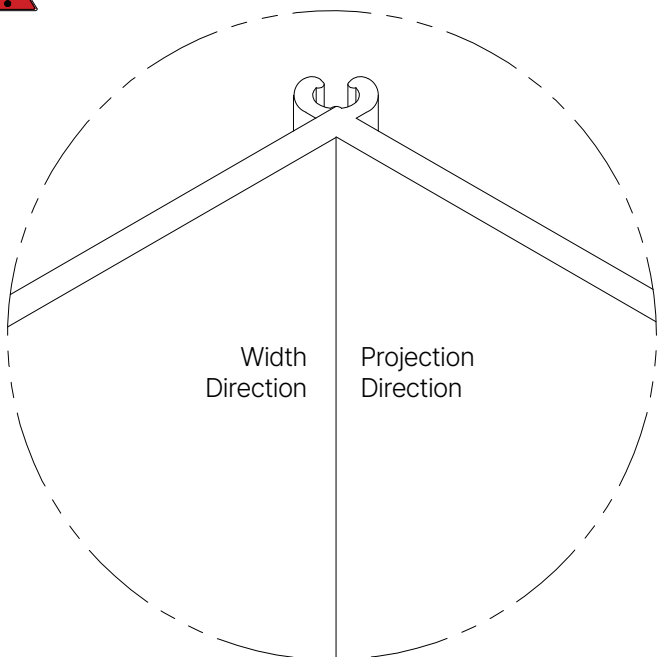
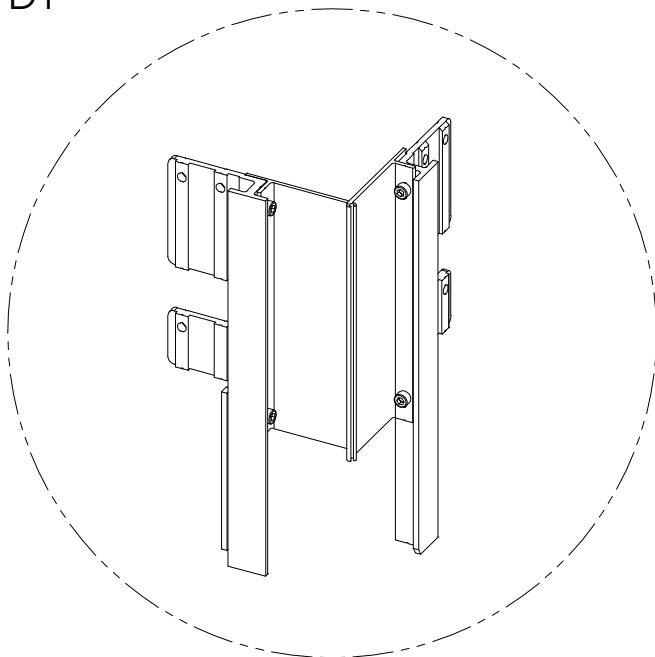
To ensure maximum durability of your pergola against environmental conditions, we recommend reinforcing the surface where the structure will be installed. In this regard, it is advisable to create reinforced point foundations measuring 60x60x80 cm and secure your pergola to these foundations using anchor bolts (EM10100005). Alternatively, you can also screw your pergola directly into patio surfaces such as stone or wooden decking

Ecoclimatic First Step : Making Frame

D1

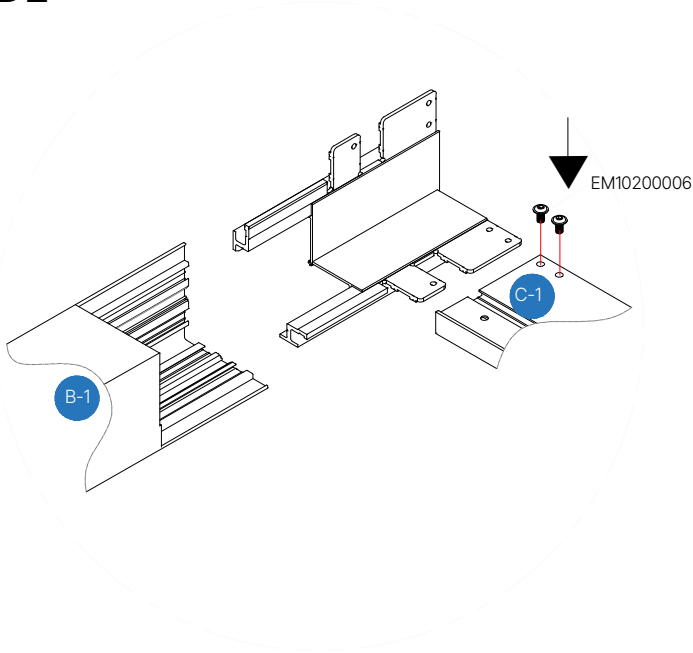


D1

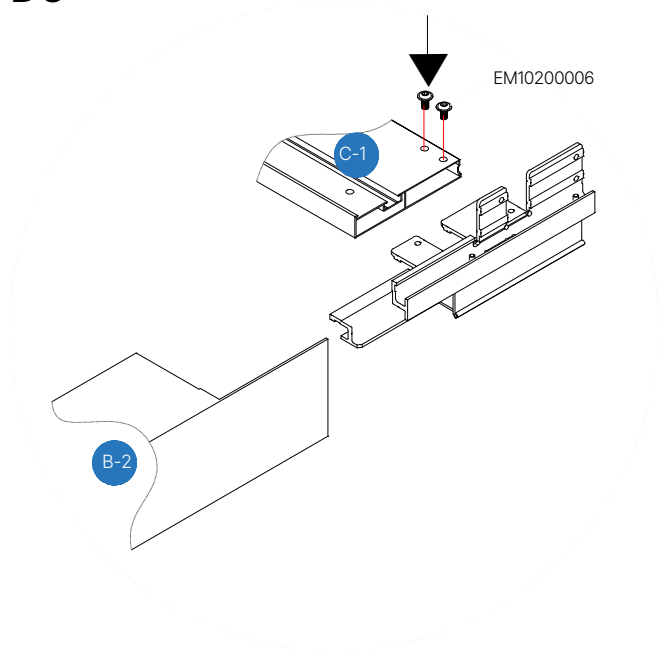


EM07200027 and EM07200028 are screwed together and 4 sets are prepared in this way. When the right and left corner connections are completed, they are passed to the C1 coded profile and fixed.

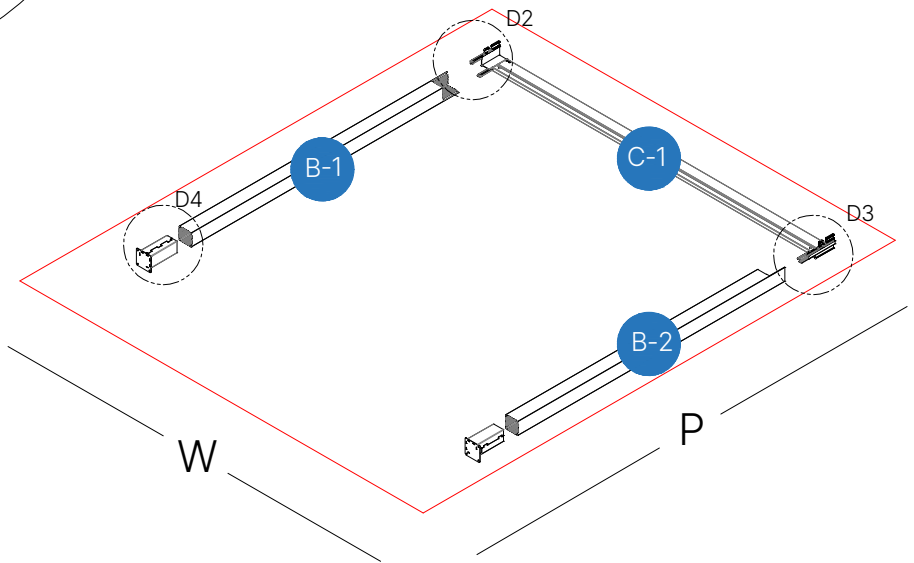
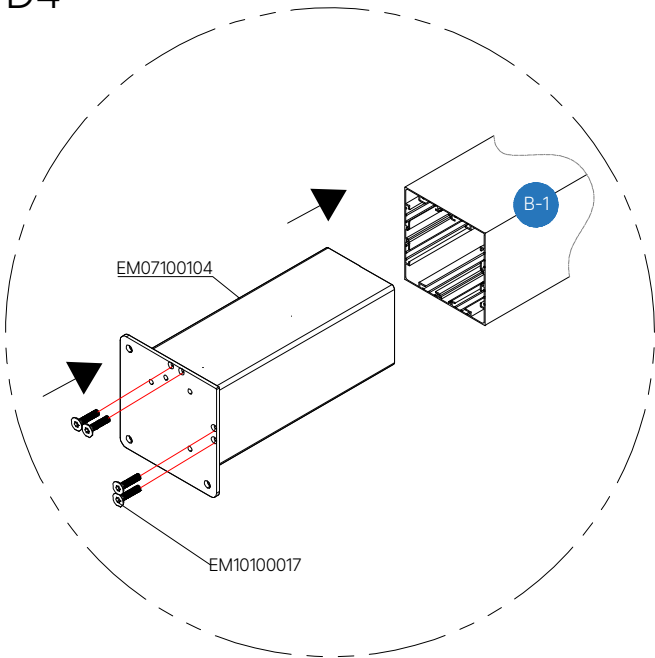
D2



D3

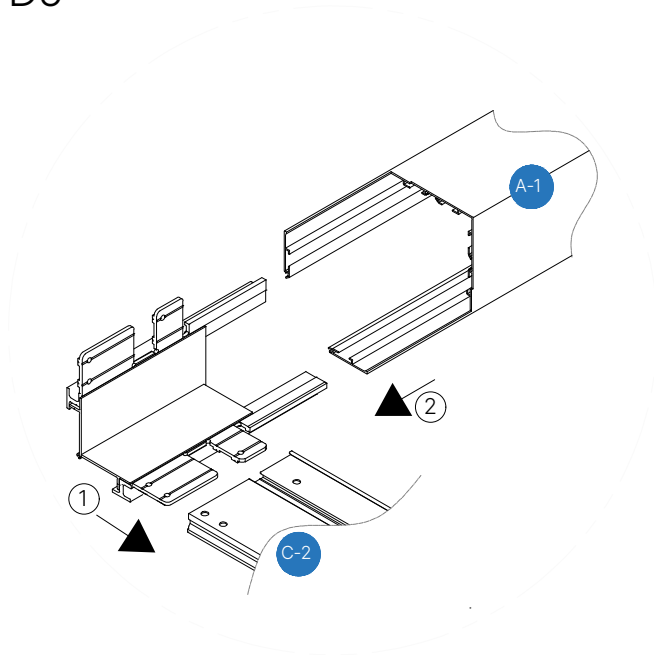


D4

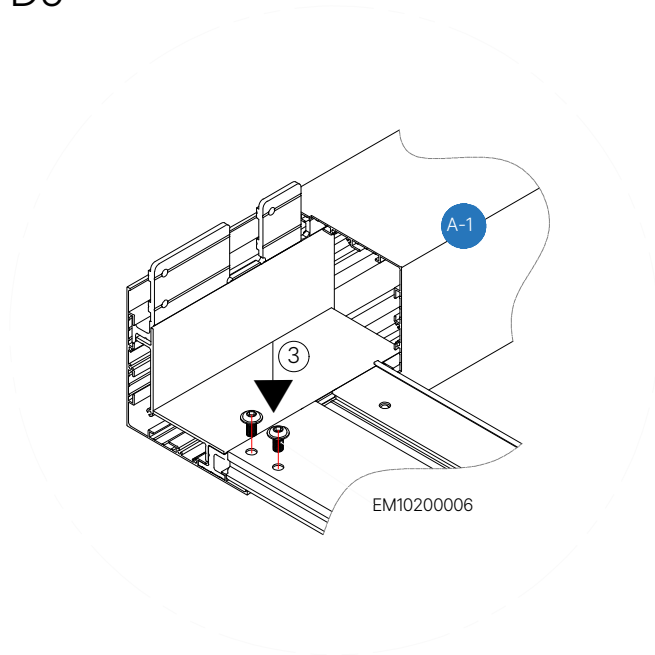


The C1 coded profile with corner connections fixed is inserted into the box pillars (M7137). It is screwed through the screw channels on the C1 profile as shown in the figure. The accessory code EM07100104 is mounted on the pillars.

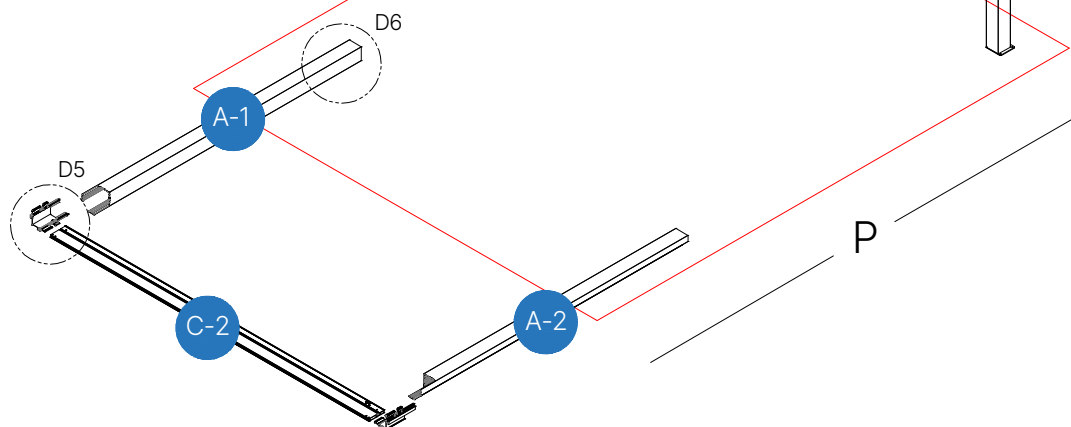
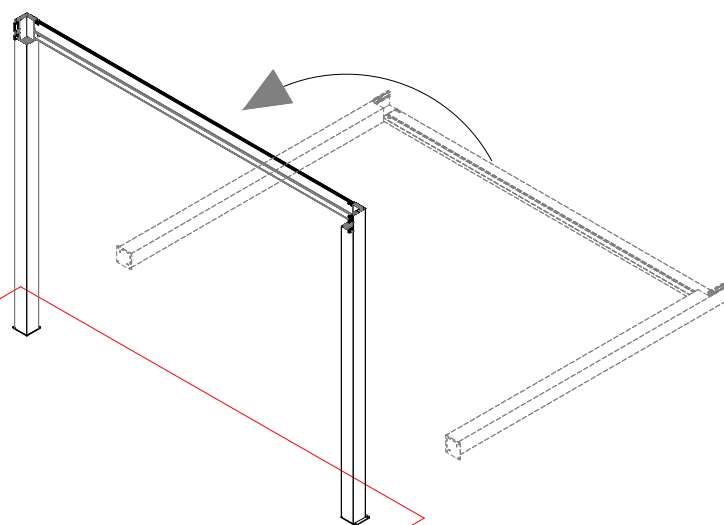
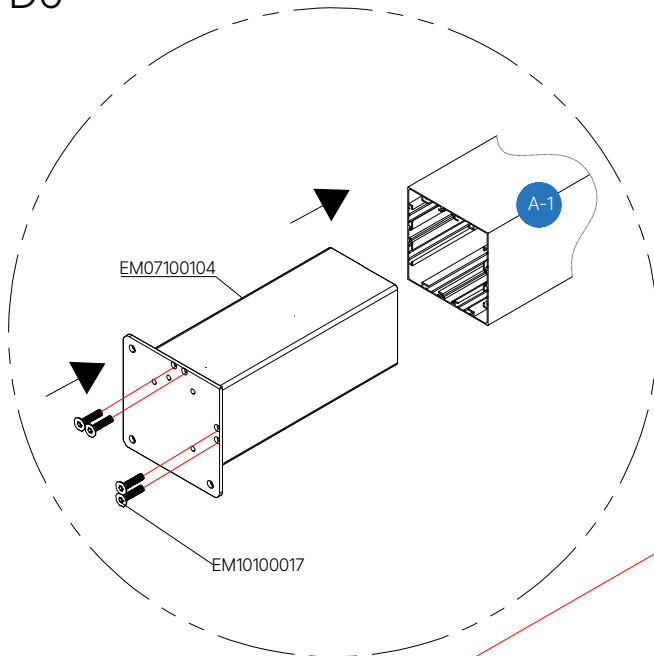
D5



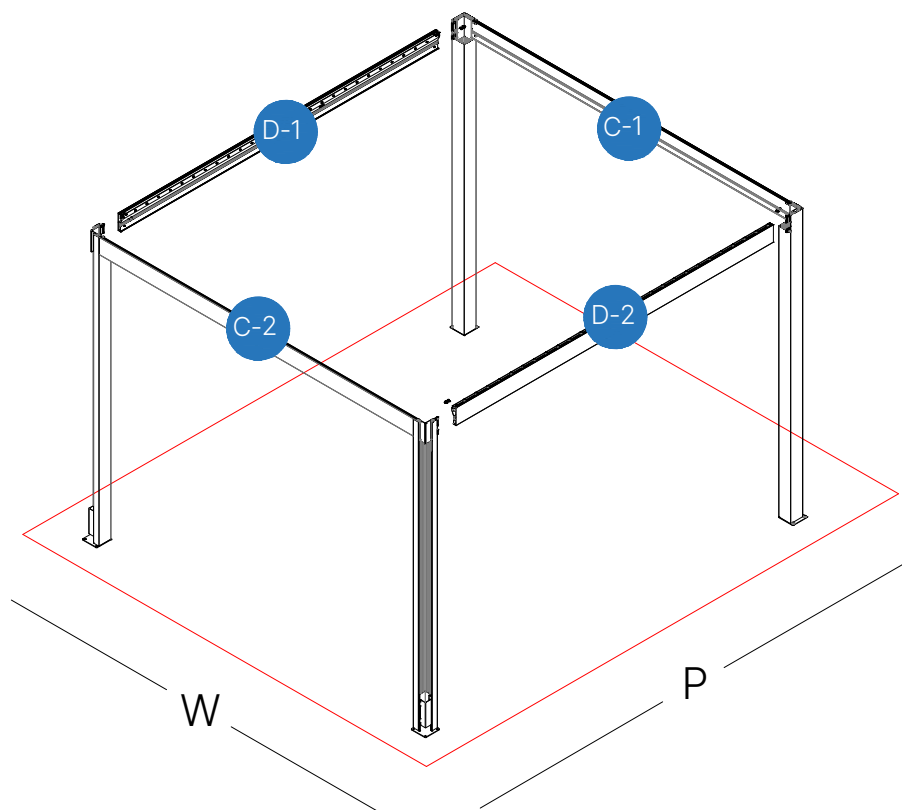
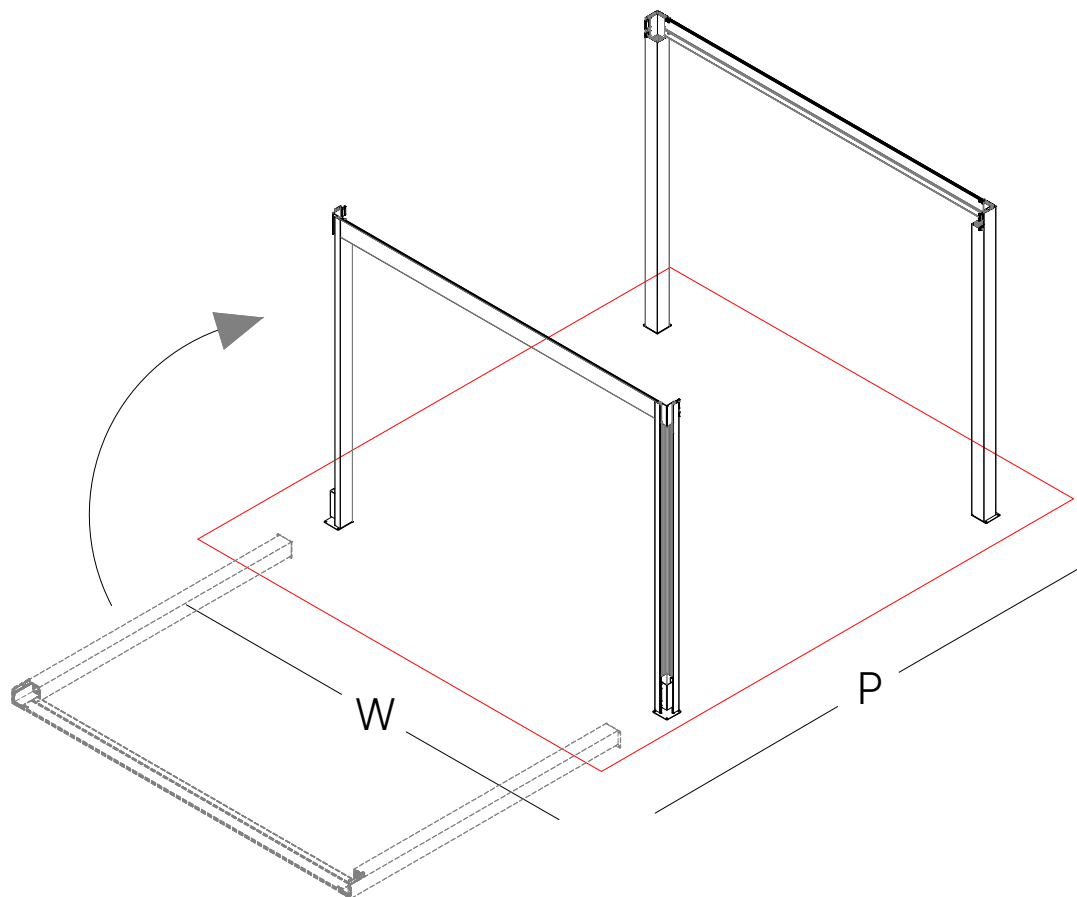
D5



D6

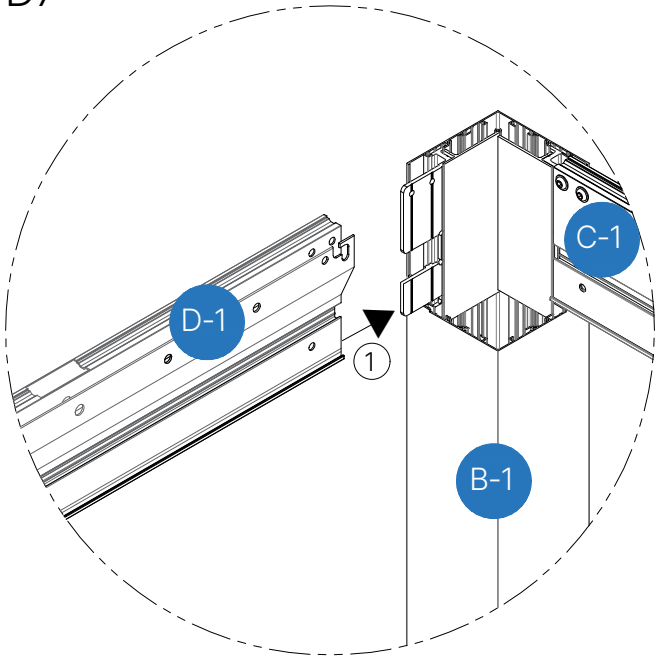


The C2 coded profile with corner connections fixed is inserted into the pillars (M7037). It is screwed through the screw channels on the C2 profile as shown in the figure. The accessory code EM07100104 is mounted on the pillars.

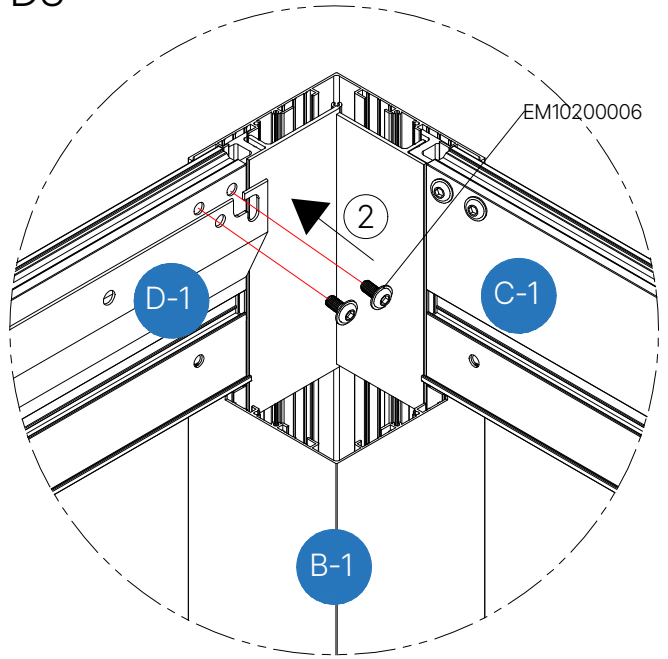


The C2 coded profile, which are shaped like a U on the ground, are lifted as shown in the figure.

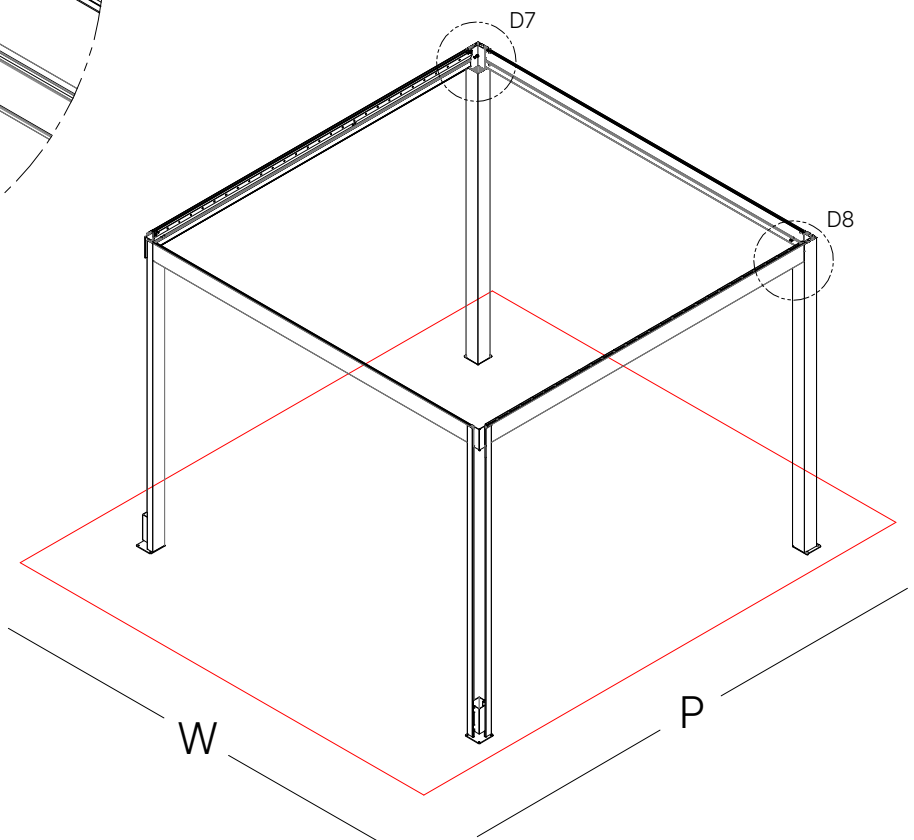
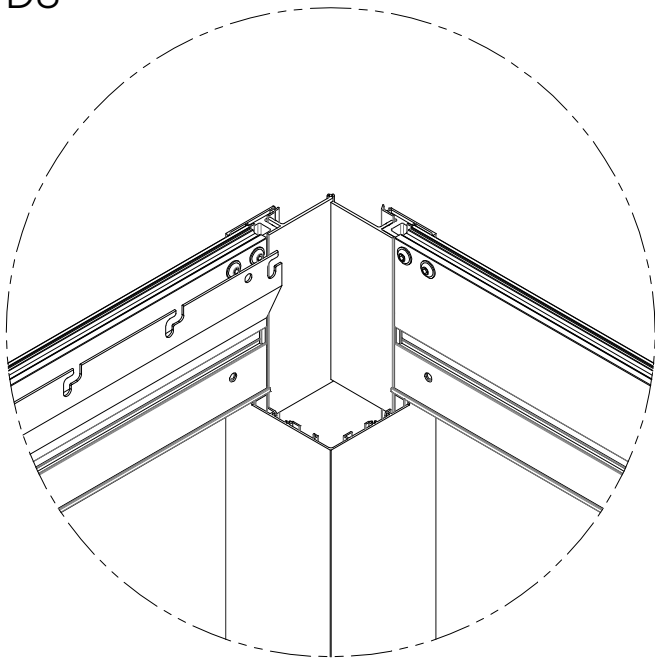
D7



D8

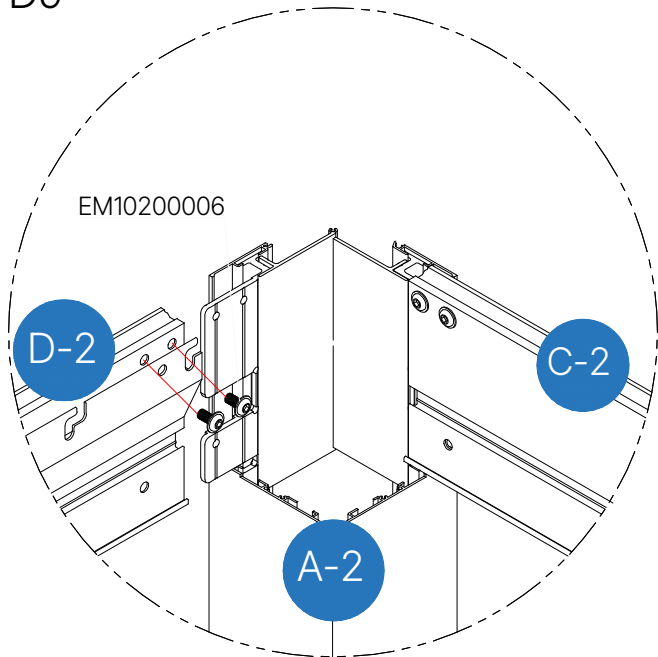


D8

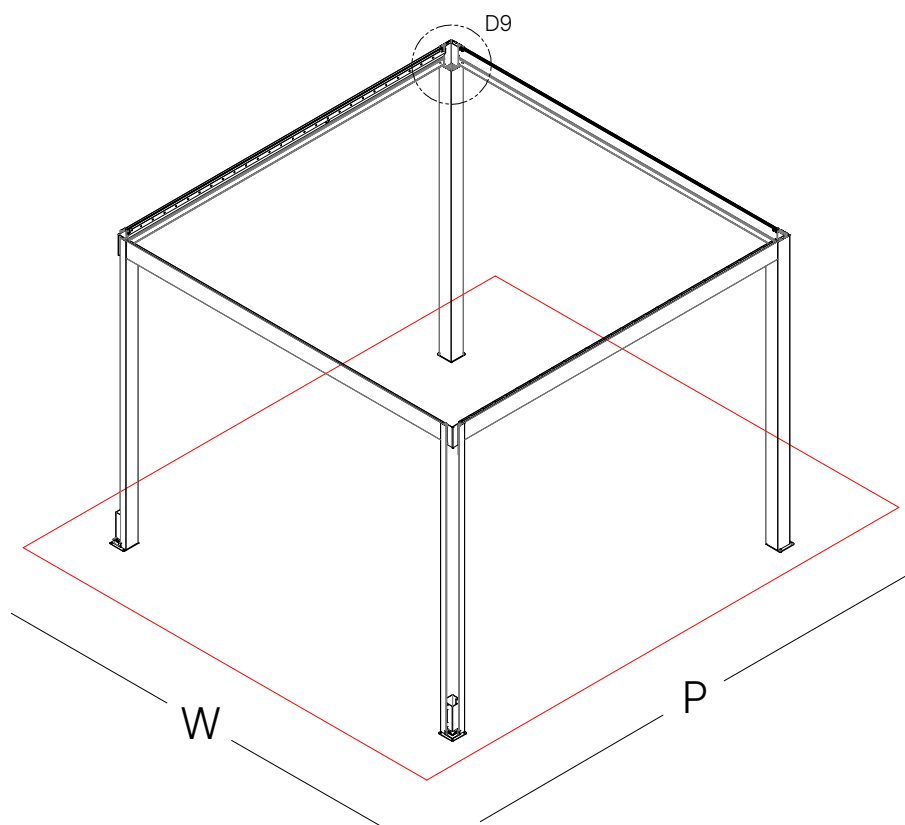
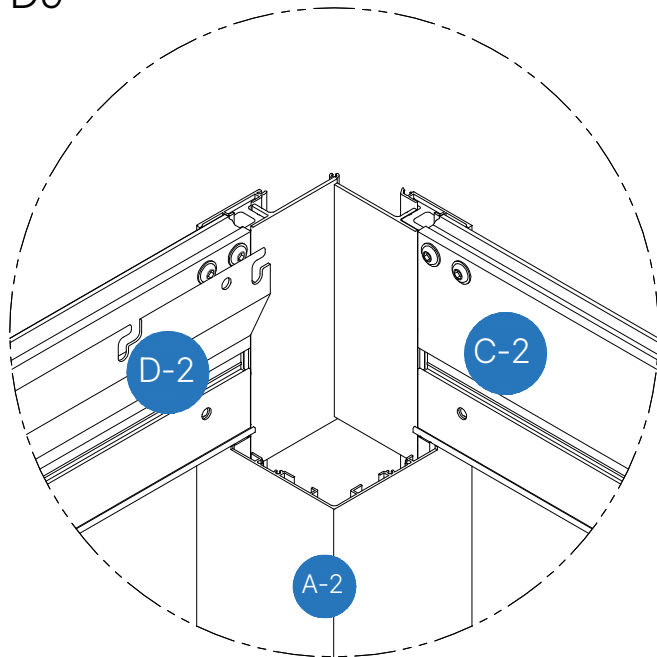


D1 coded profile is inserted to the corner connections as shown in the figure. It is fixed with corner connections by inserting screws with code EM10200006 from the screw channels on the right and left of the profile.

D9

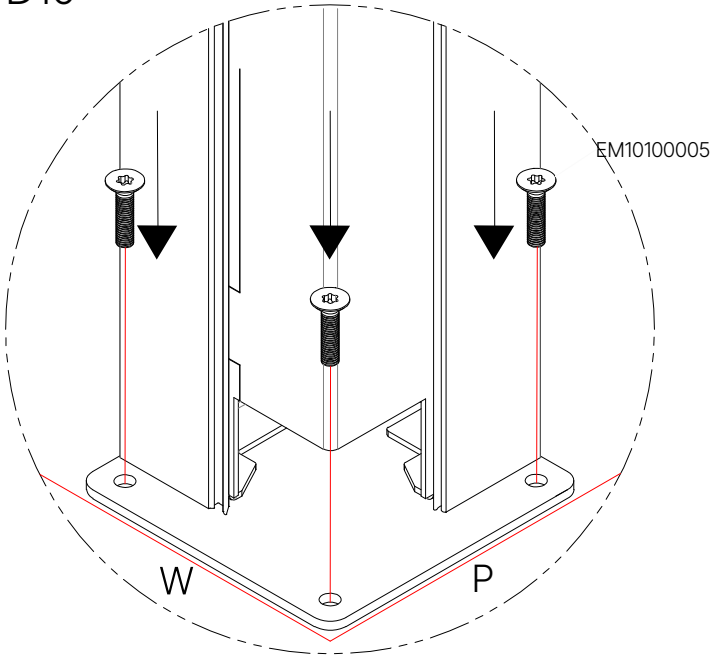


D9

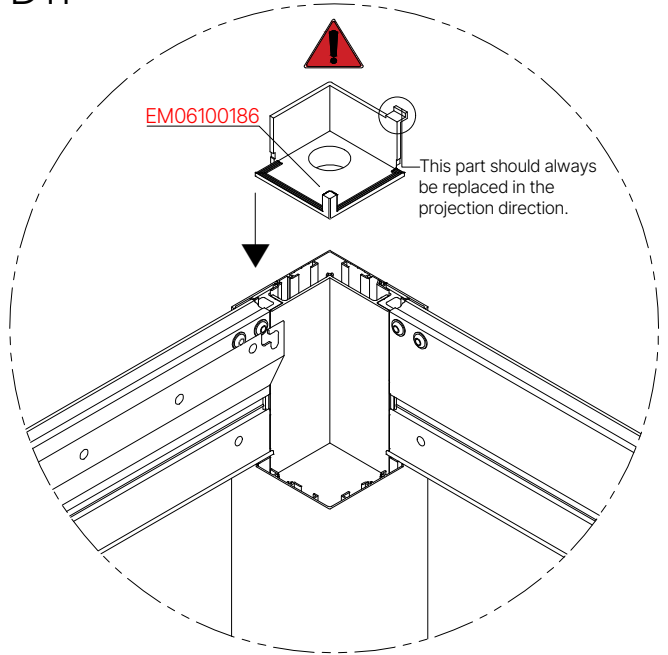


D2 coded profile is inserted to the corner connections as shown in the figure. The screws with code EM10200006 are inserted from the screw channels on the right and left of the profile and fixed with corner connections.

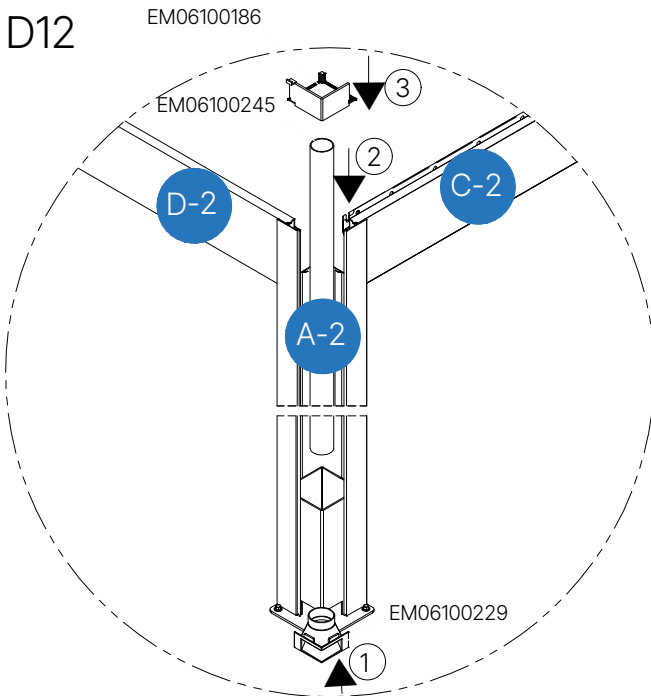
D10



D11

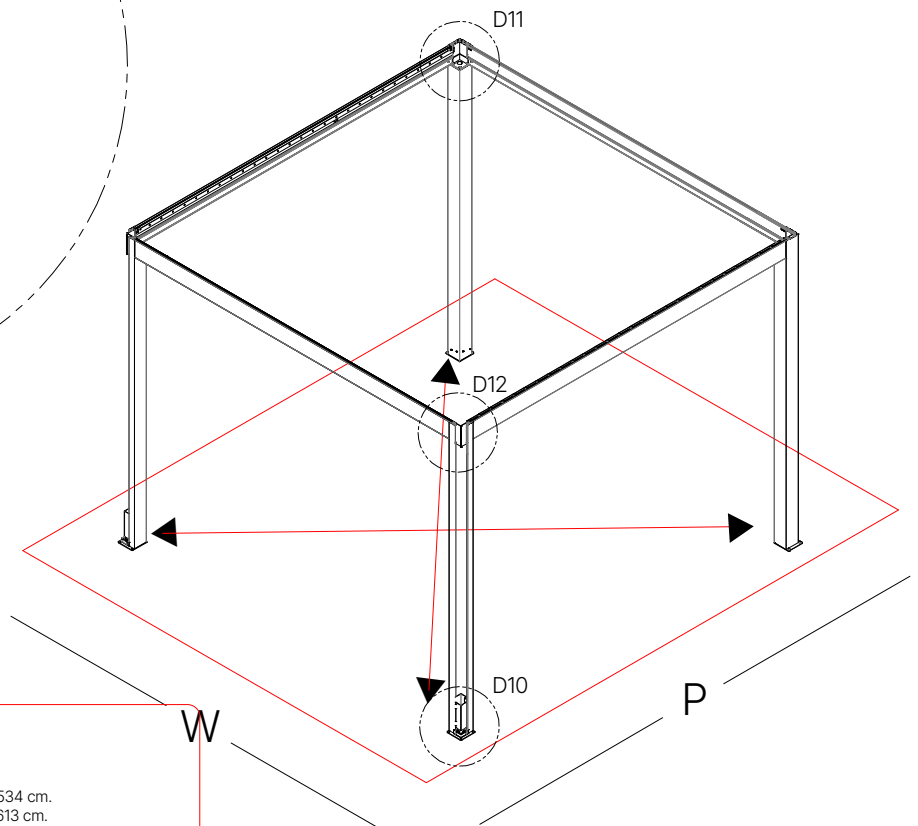


D12



Attention

Apply the cable detail only to the accessory on the motor side. Watch the video titled "Step 5" for a detailed view.

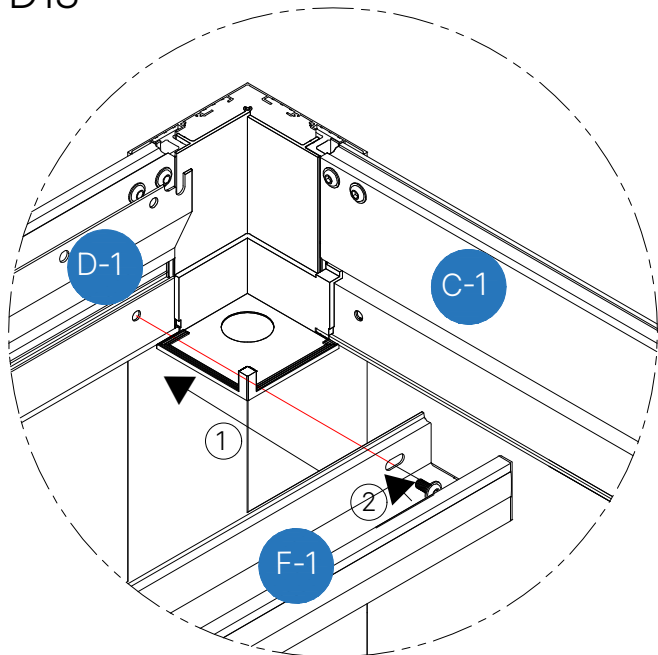


Diagonal size should be checked.

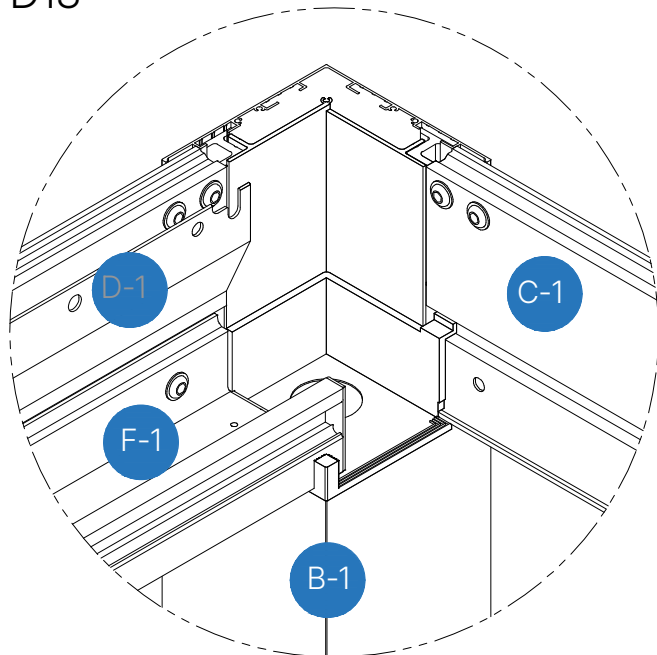
If your system is 4x4 meters, then the diagonal measurement should be 534 cm.
If your system is 4x5 meters, then the diagonal measurement should be 613 cm.

As shown in the figure, the diagonal dimensions of the system are checked. If the measurement is not correct, it is brought to the required size and the system is fixed by using ground screws. Water drain plugs are attached to the pillars on the front of the system. The pipe is passed from above and attached to the plugs. Rubbers are attached to the four corners. The rubbers on the part where the pipe is located (the two rubbers on the front face of the system) should be cut with a carpet knife from the circular area.

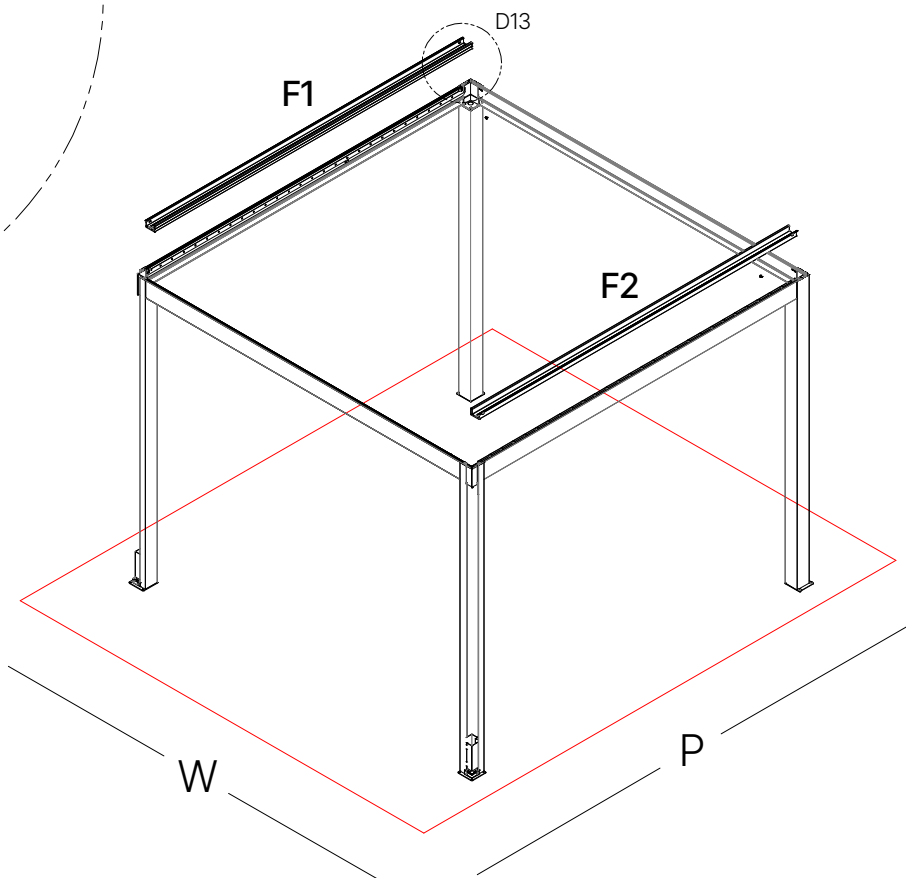
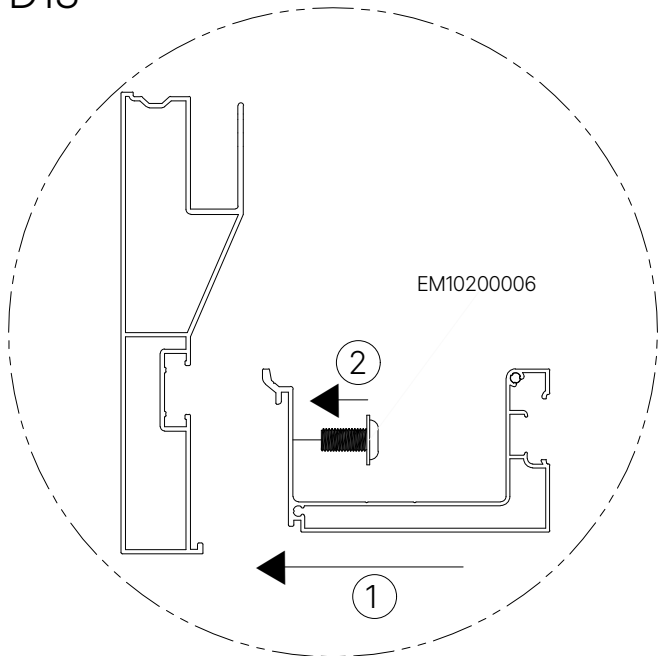
D13



D13

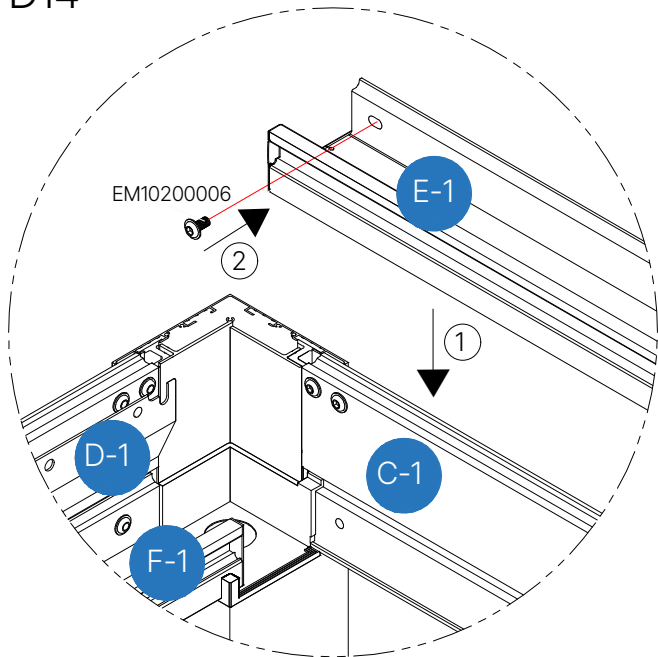


D13

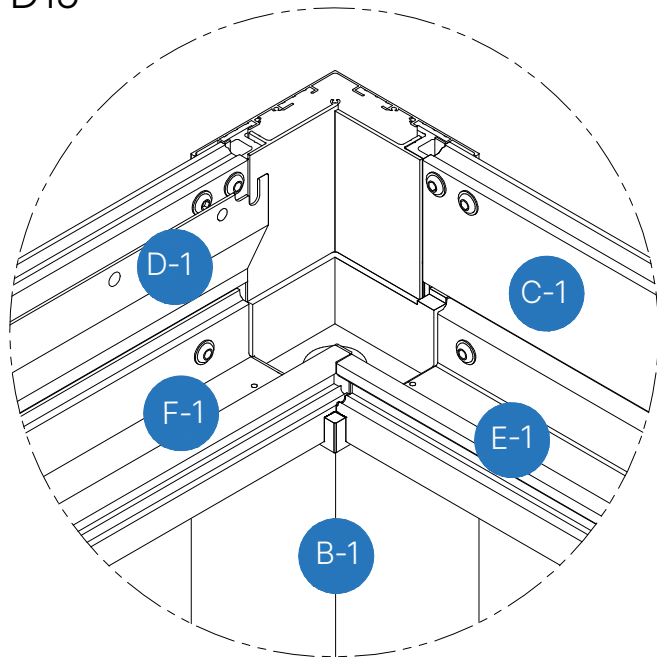


F1 and F2 gutters are installed in the P direction as shown above and fixed by screwing.

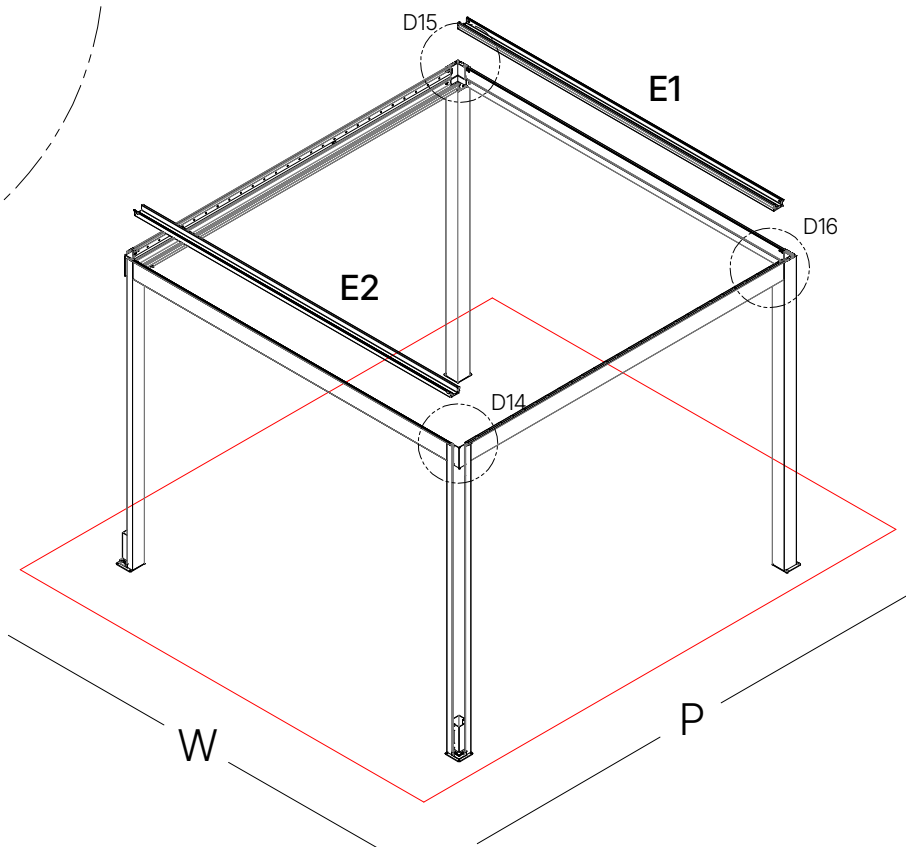
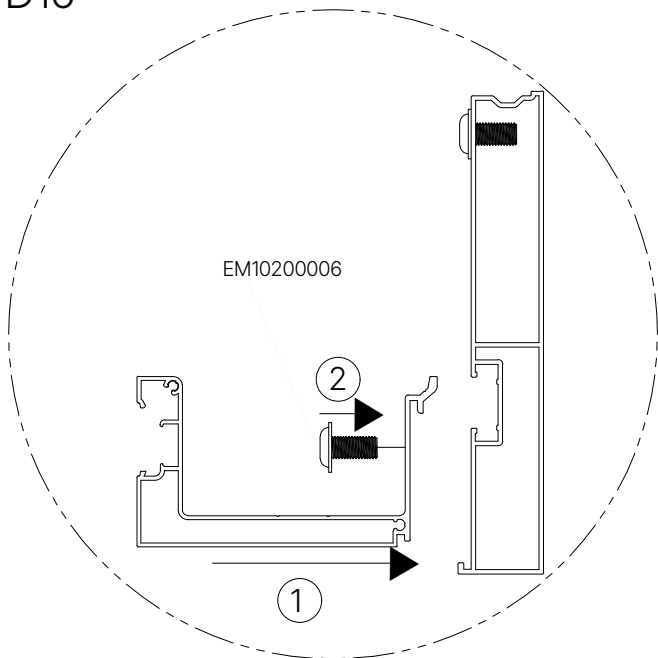
D14



D15

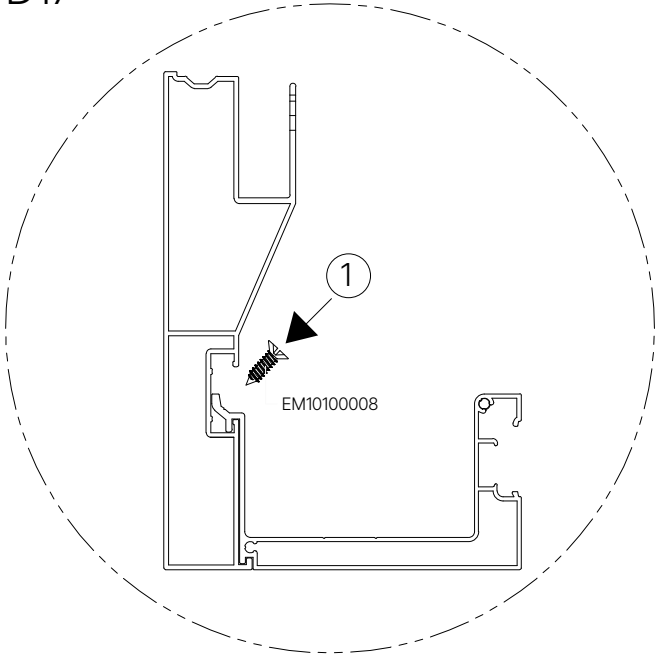


D16

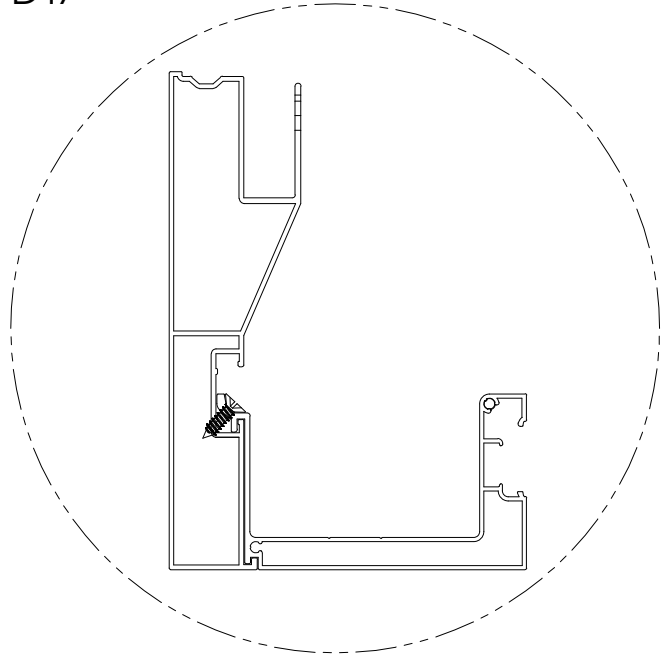


E1 and E2 gutters are installed in the W direction as shown above and fixed by screwing.

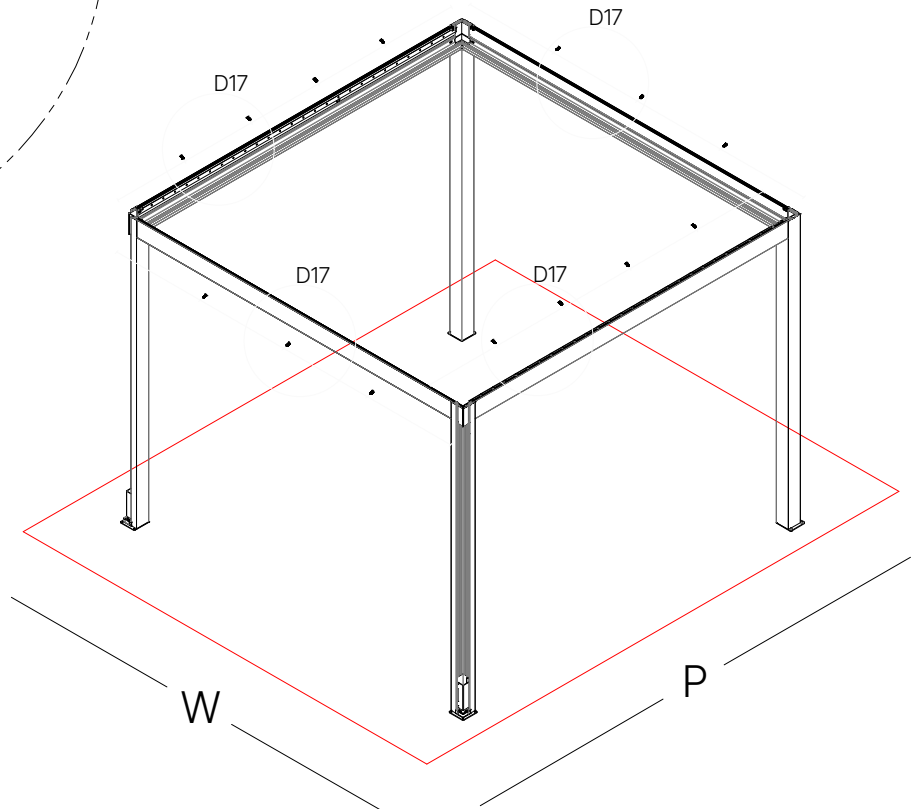
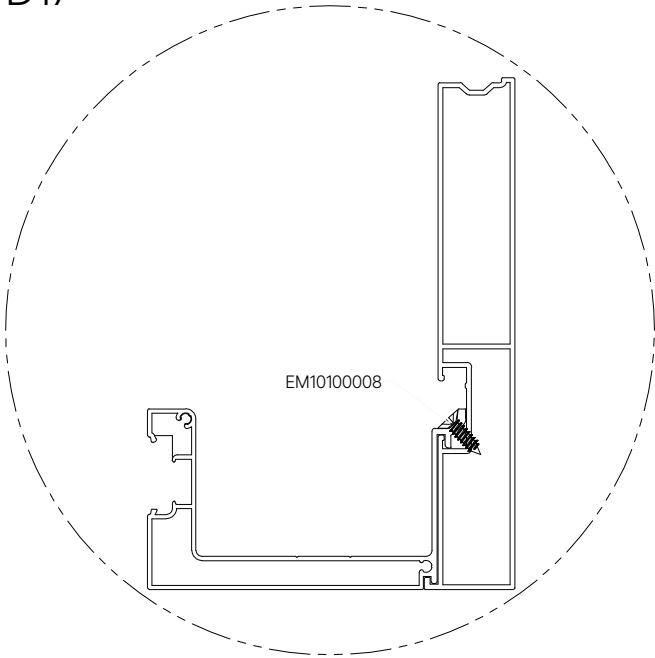
D17



D17

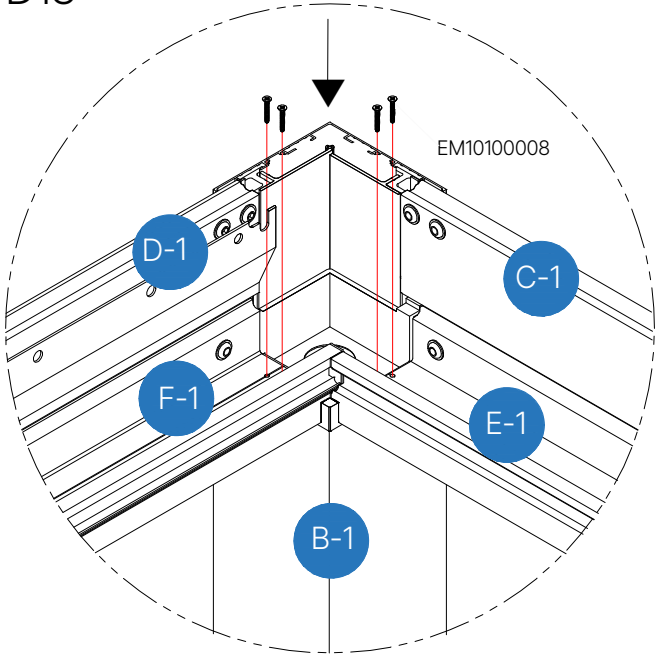


D17

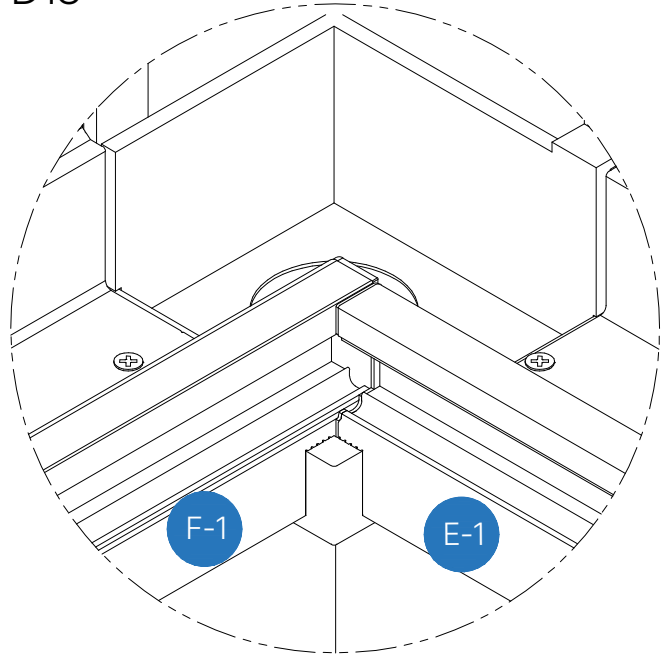


If the floor is not even and your gutter profile does not align properly with the side profiles, it is recommended to screw it at one-meter intervals as shown in the figure.

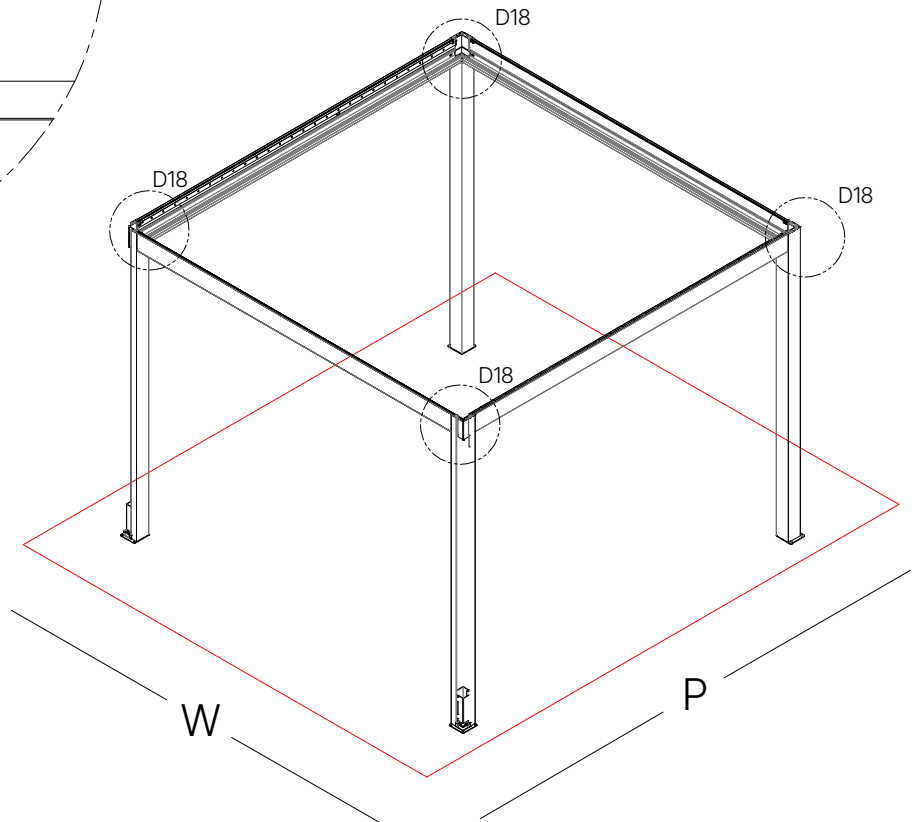
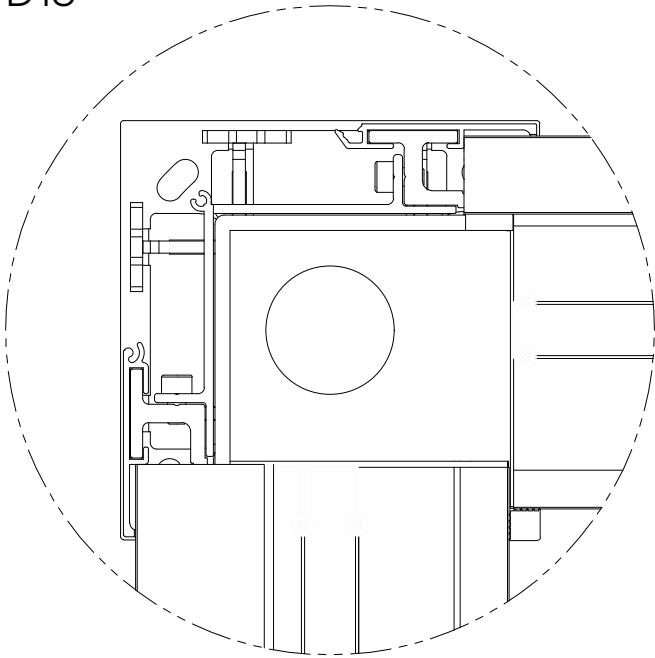
D18



D18



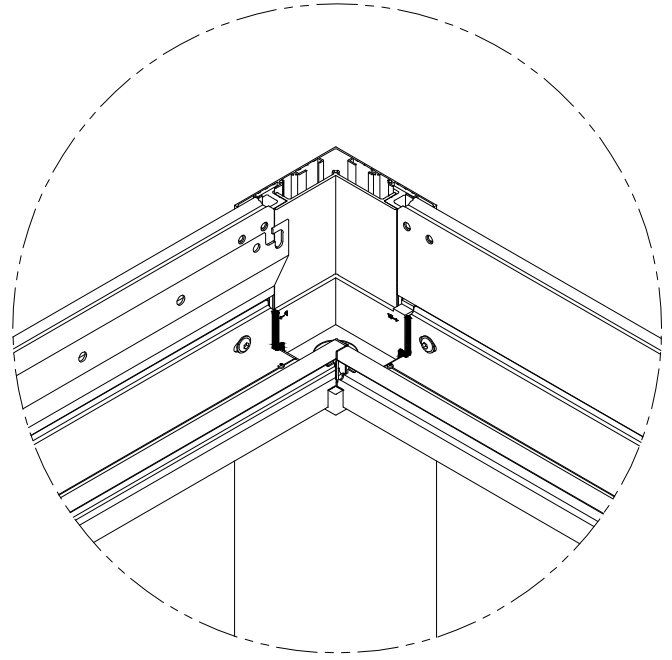
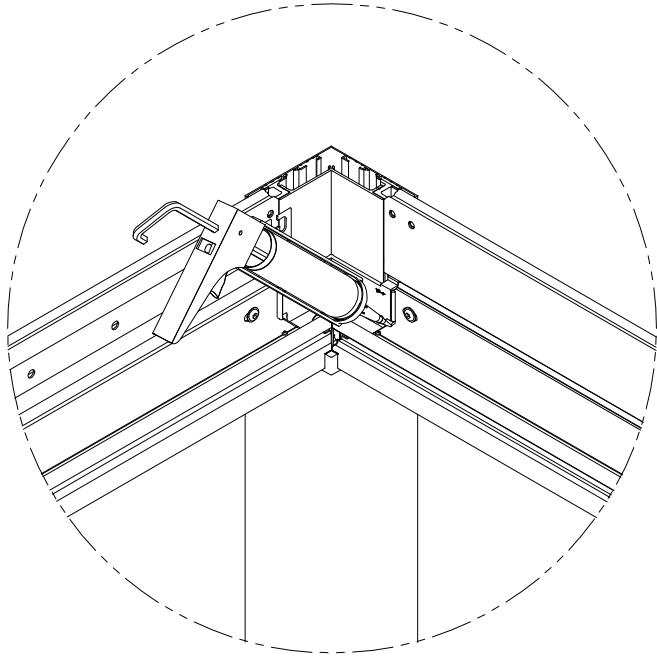
D18



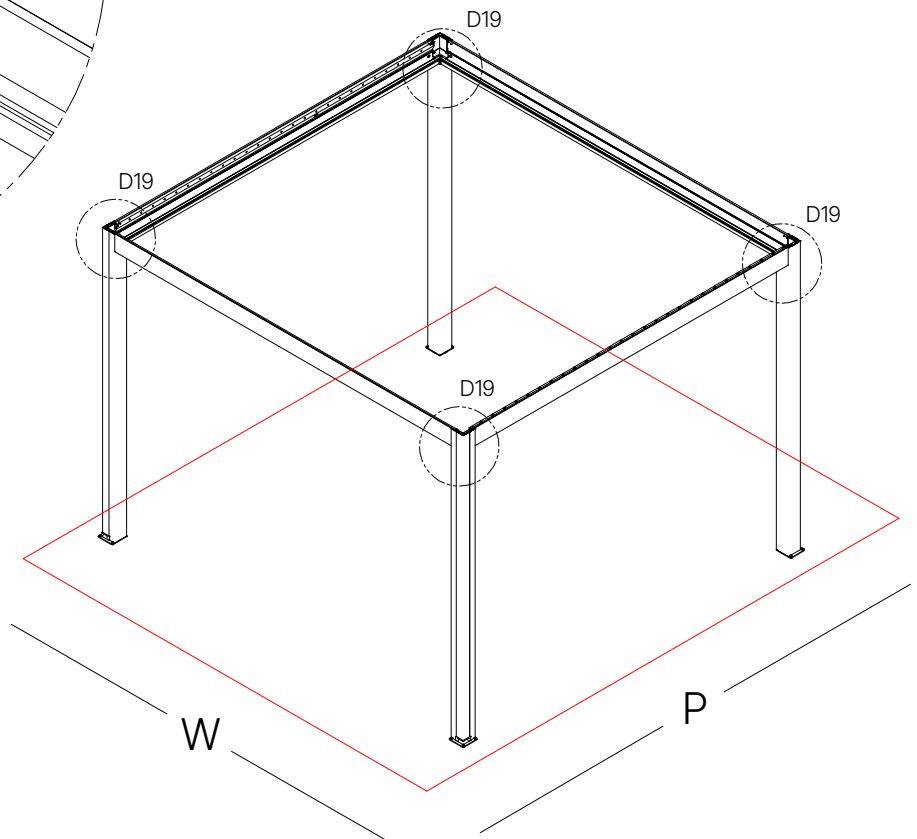
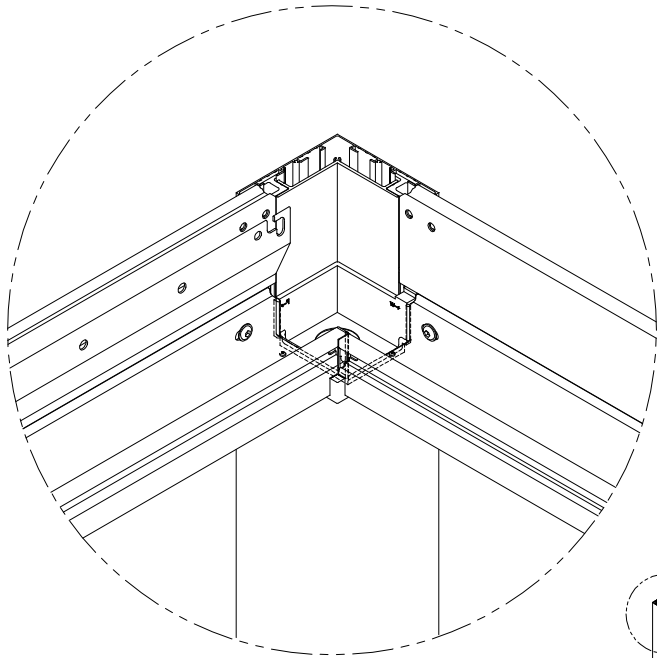
All gutters are fixed by screwing them from above with the screw code EM10100008 from each corner as shown in the figure.

D19

D19

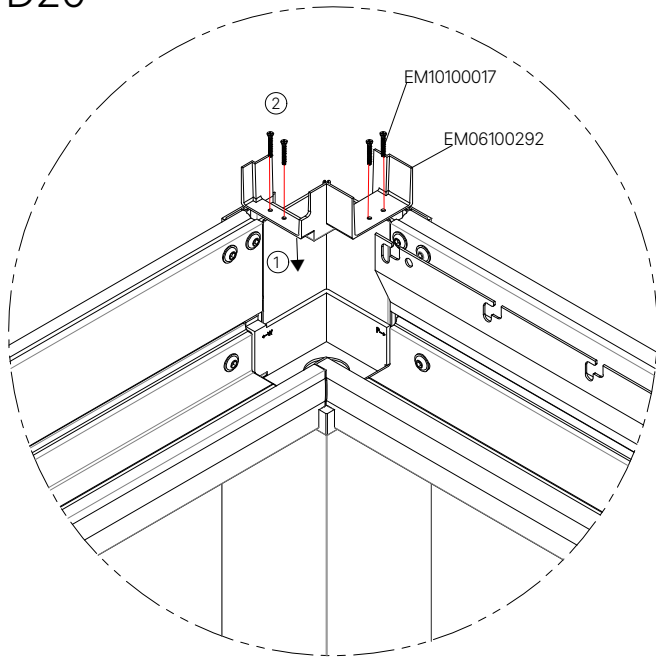


D19

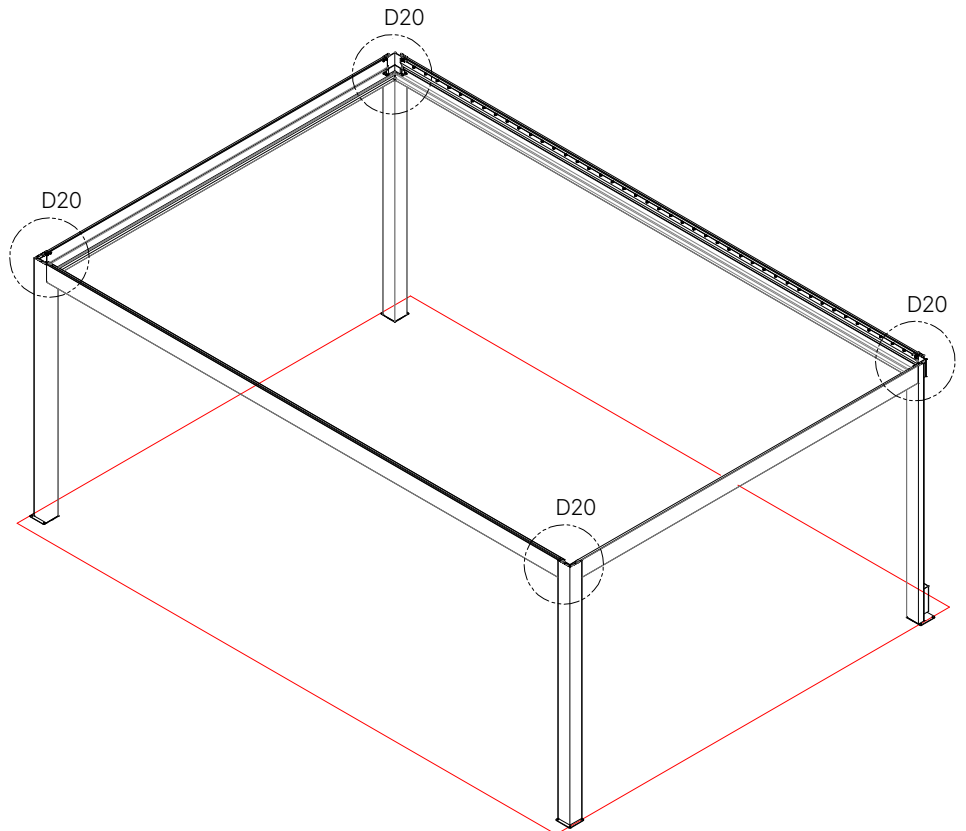
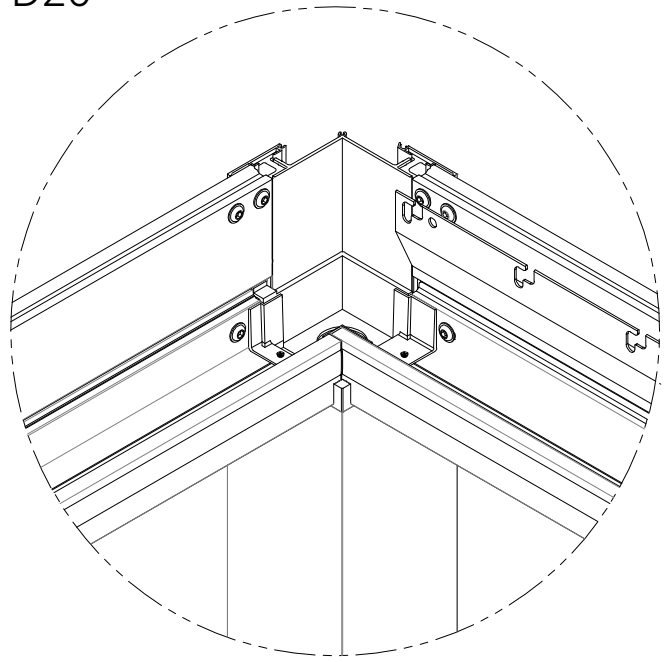


Silicone should be applied to the junction of the rubbers (EM06100186) on the 4 corners, as shown in the figure.

D20



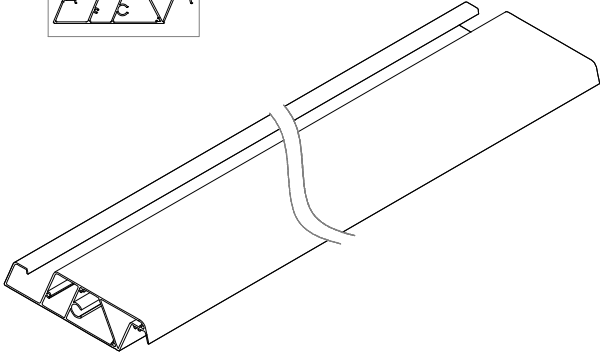
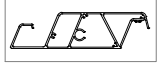
D20



All gutters are fixed by screwing them from above with the screw code EM10100017 from each corner as shown in the figure.

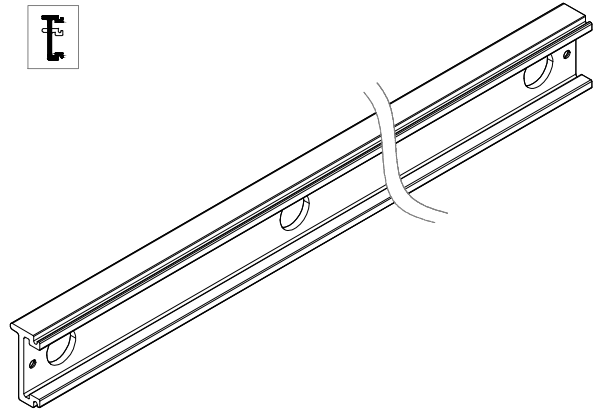
Ecoclimatic Profiles For Second Step

M7400



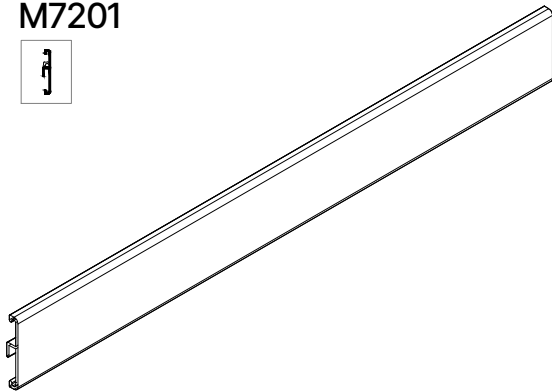
For 4x4 meters systems : 30 pcs
For 4x5 meters systems : 38 pcs

M7031



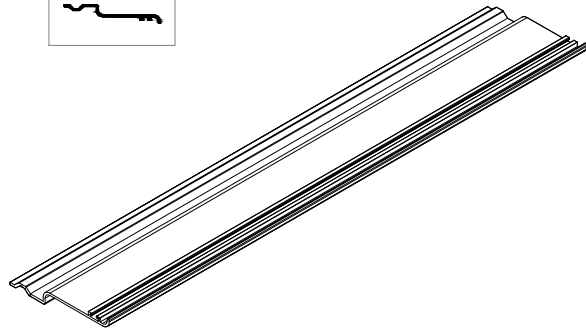
For 4x4 meters systems : 2 pcs
For 4x5 meters systems : 2 pcs

M7201



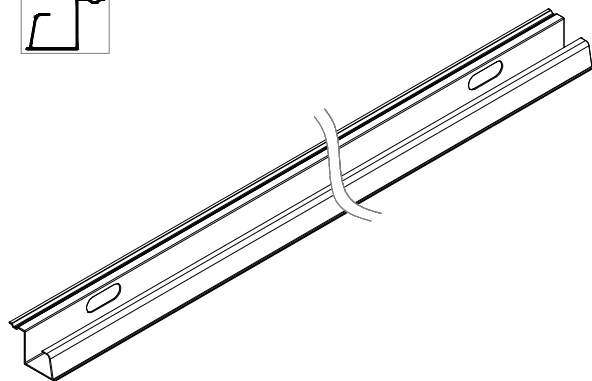
For 4x4 meters systems : 2 pcs
For 4x5 meters systems : 2 pcs

M7029



For 4x4 meters systems : 2 pcs
For 4x5 meters systems : 2 pcs

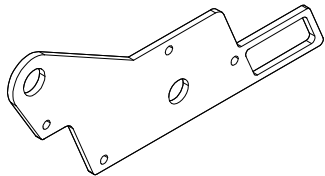
M7030



For 4x4 meters systems : 2 pcs
For 4x5 meters systems : 2 pcs

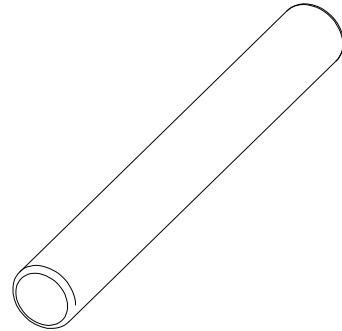
Ecoclimatic Accessories For Second Step

EM06100191



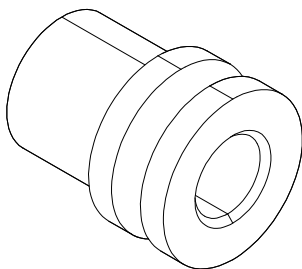
For 4x4 meters systems : 59 pcs
For 4x5 meters systems : 75 pcs

EM07300164



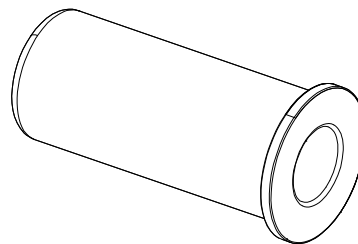
For 4x4 meters systems : 60 pcs
For 4x5 meters systems : 76 pcs

EM06100202



For 4x4 meters systems : 30 pcs
For 4x5 meters systems : 38 pcs

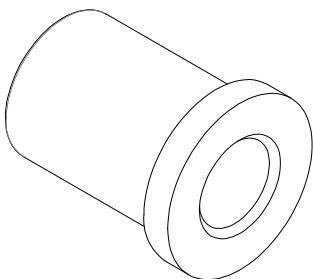
EM06100203



For 4x4 meters systems : 60 pcs
For 4x5 meters systems : 76 pcs

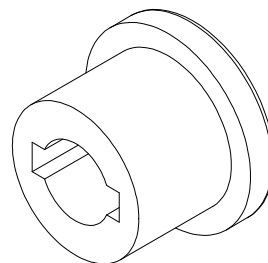
EM06100228

motor side



For 4x4 meters systems : 30 pcs
For 4x5 meters systems : 38 pcs

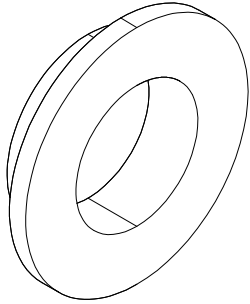
EM06100208



For 4x4 meters systems : 60 pcs
For 4x5 meters systems : 76 pcs

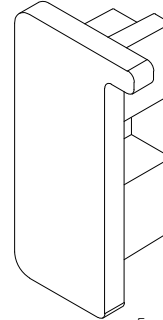
Ecoclimatic Accessories For Second Step

EM06100184



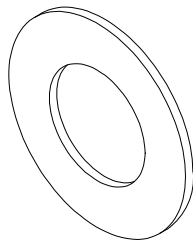
*For 4x4 meters systems : 60 pcs
For 4x5 meters systems : 76 pcs*

**EM06100279 - (Black)
EM06100278 - (White)**



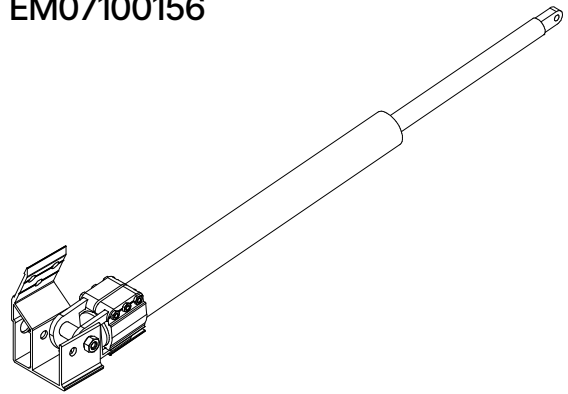
*For 4x4 meters systems : 4 pcs
For 4x5 meters systems : 4 pcs*

EM10400005



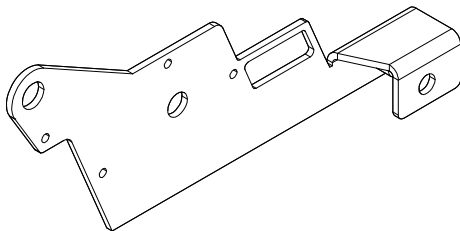
*For 4x4 meters systems : 60 pcs
For 4x5 meters systems : 76 pcs*

EM07100156



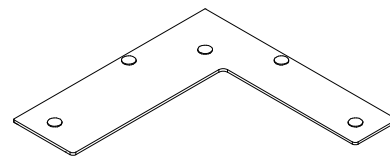
*For 4x4 meters systems : 1 pcs
For 4x5 meters systems : 1 pcs*

EM07100183



*For 4x4 meters systems : 1 pcs
For 4x5 meters systems : 1 pcs*

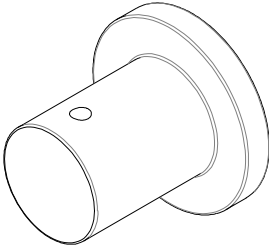
EM07100105



*For 4x4 meters systems : 4 pcs
For 4x5 meters systems : 4 pcs*

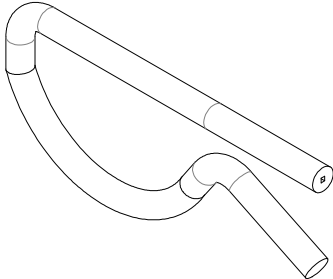
Ecoclimatic Accessories For Second Step

EM06100302



*For 4x4 meters systems : 60 pcs
For 4x5 meters systems : 76 pcs*

EM07400027

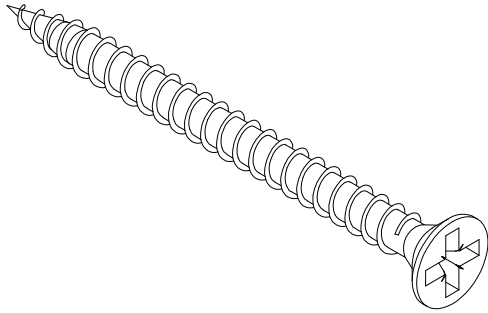


*For 4x4 meters systems : 60 pcs
For 4x5 meters systems : 76 pcs*

Ecoclimatic Accessories For Second Step

EM10100006

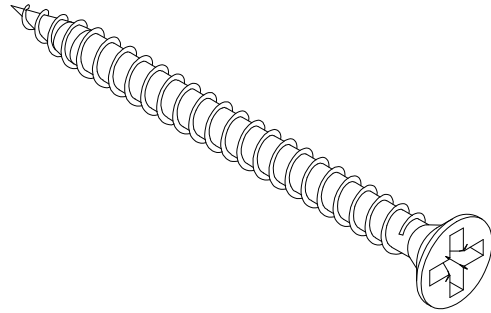
3,9x12 mm
Screw



For 4x4 meters systems : 4 pcs
For 4x5 meters systems : 4 pcs

EM10100007

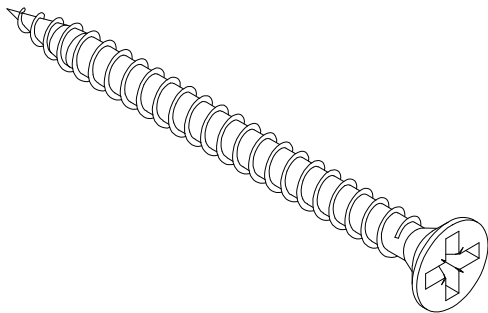
3,9x30 mm Screw



For 4x4 meters systems : 250 pcs
For 4x5 meters systems : 314 pcs

EM10100030

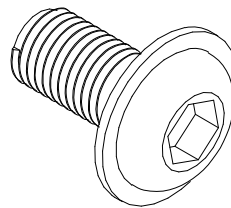
3,9x25 mm Screw



For 4x4 meters systems : 30 pcs
For 4x5 meters systems : 30 pcs

EM10200030

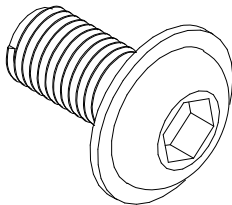
M6x35 Bolt



For 4x4 meters systems : 1 pcs
For 4x5 meters systems : 1 pcs

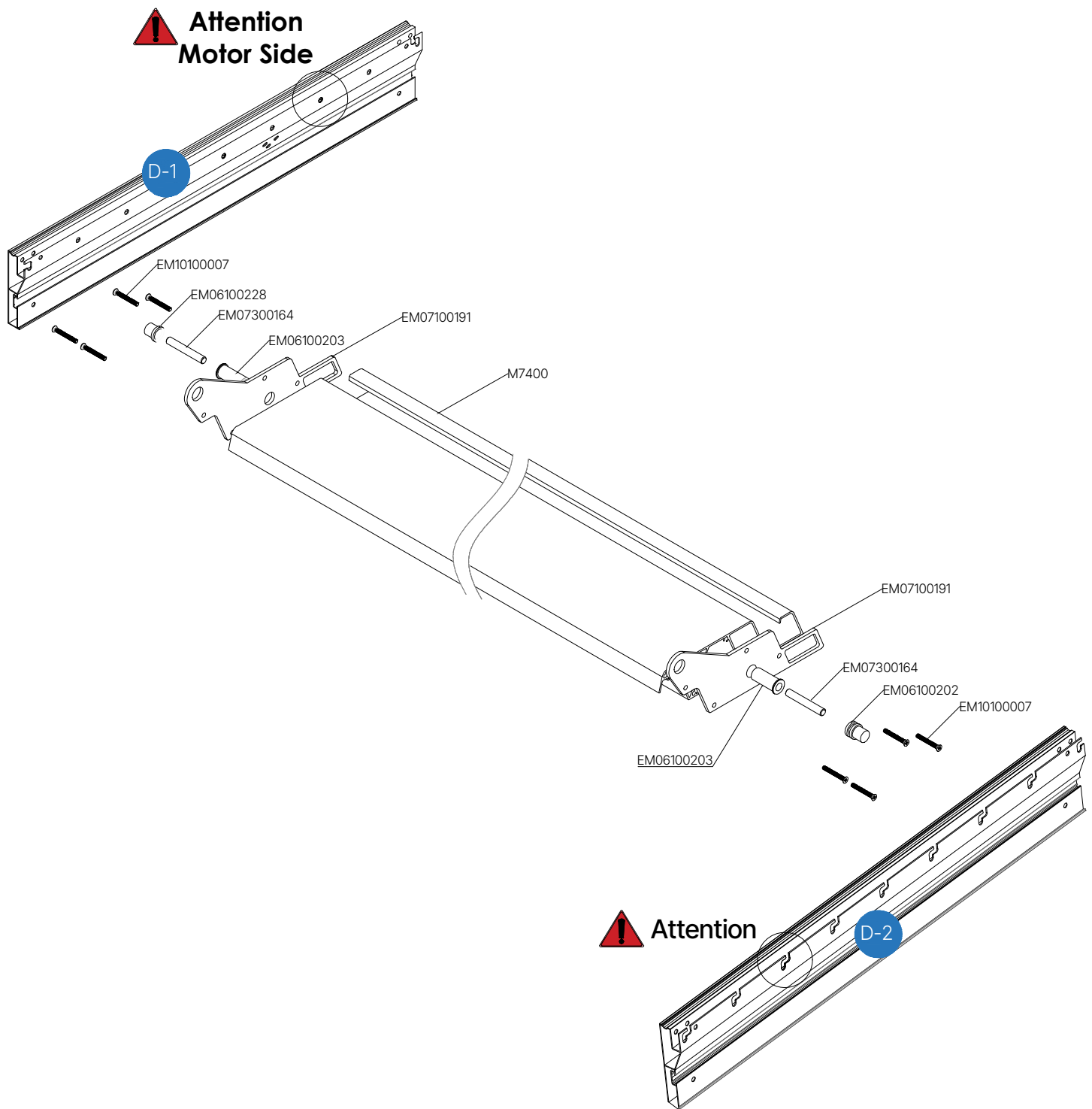
EM10200006

M8x12 Bolt

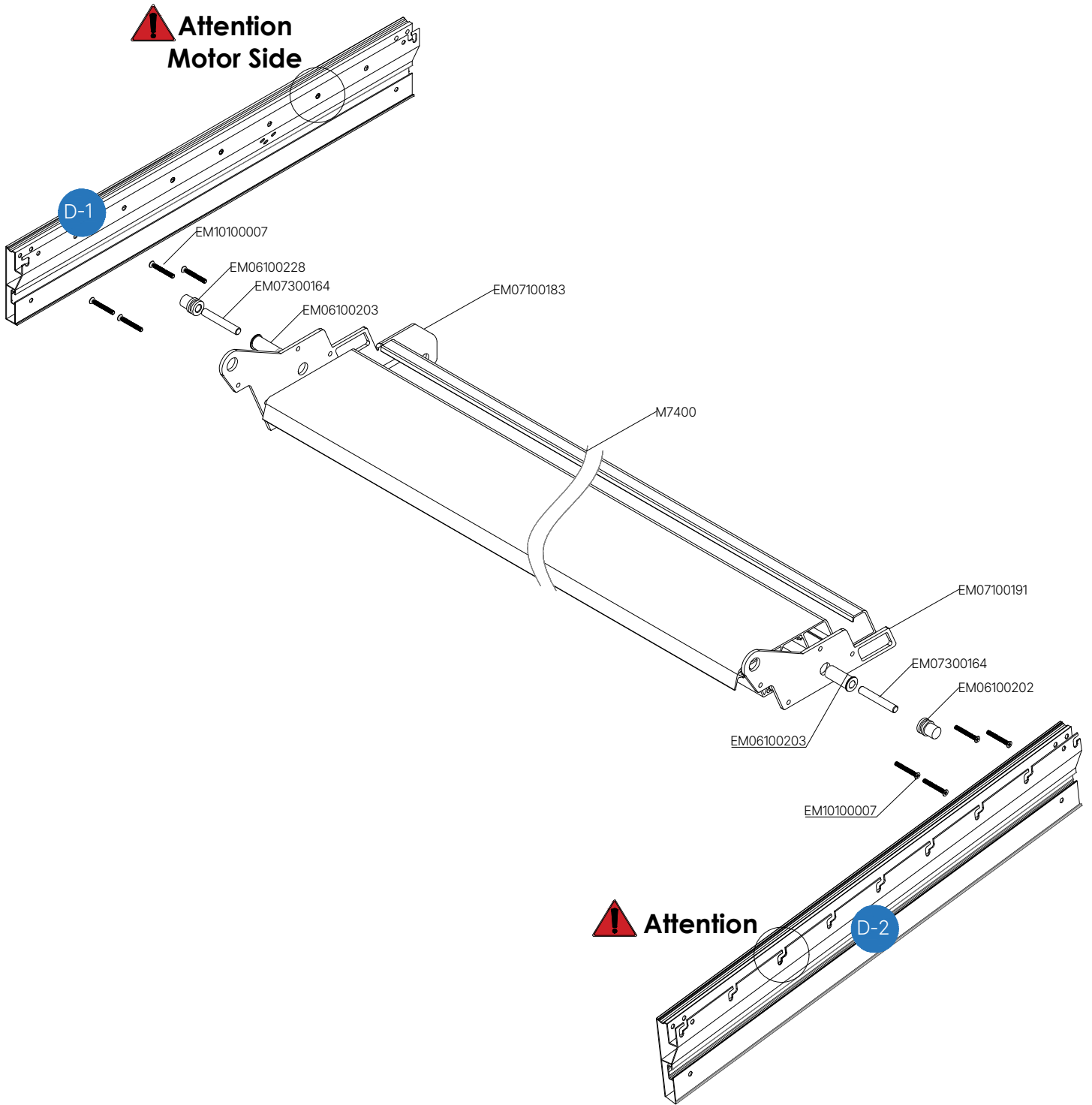


For 4x4 meters systems : 3 pcs
For 4x5 meters systems : 3 pcs

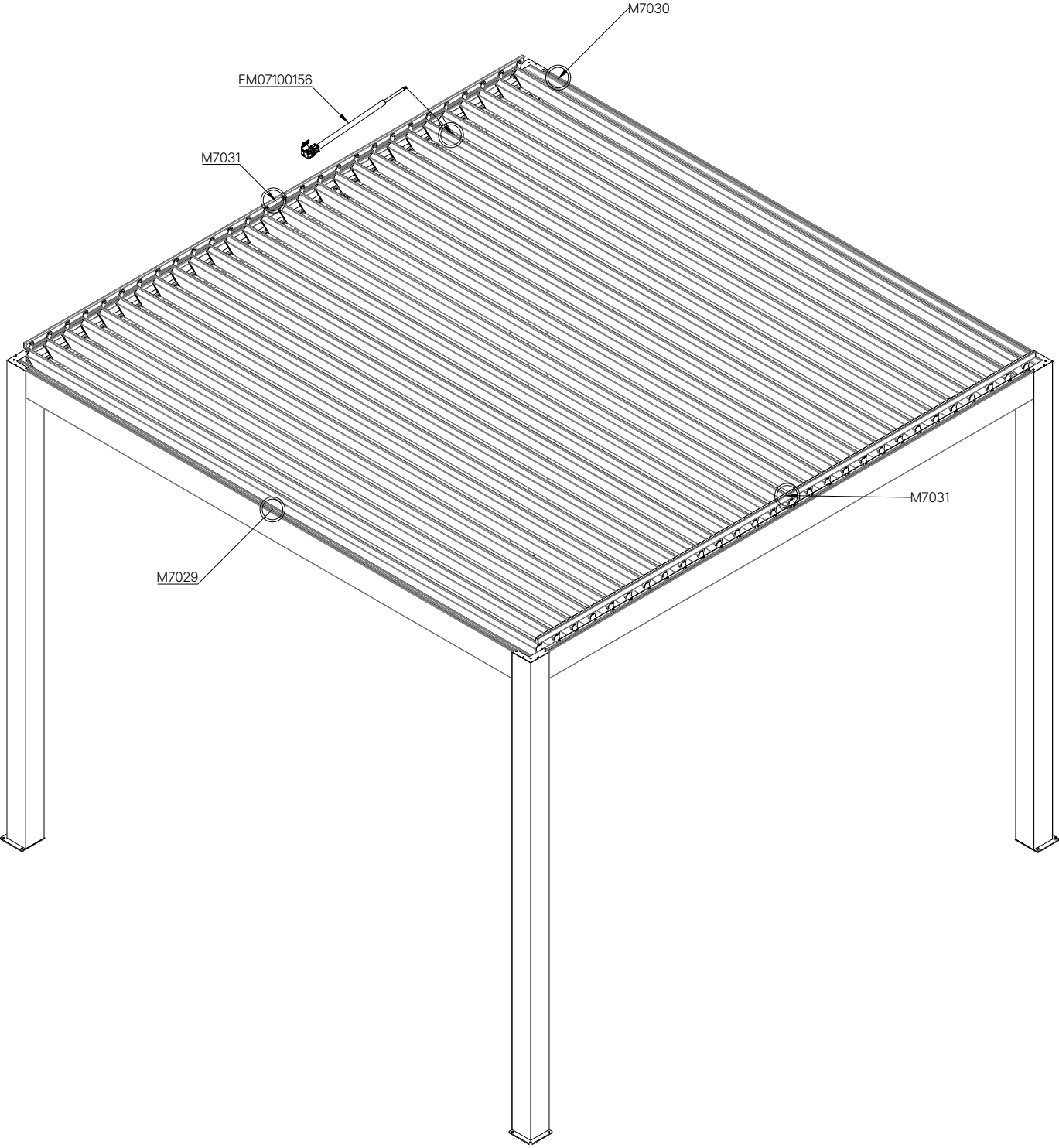
Ecoclimatic Second Step : Preparing Blades



Ecoclimatic Second Step : Preparing Motor Blade

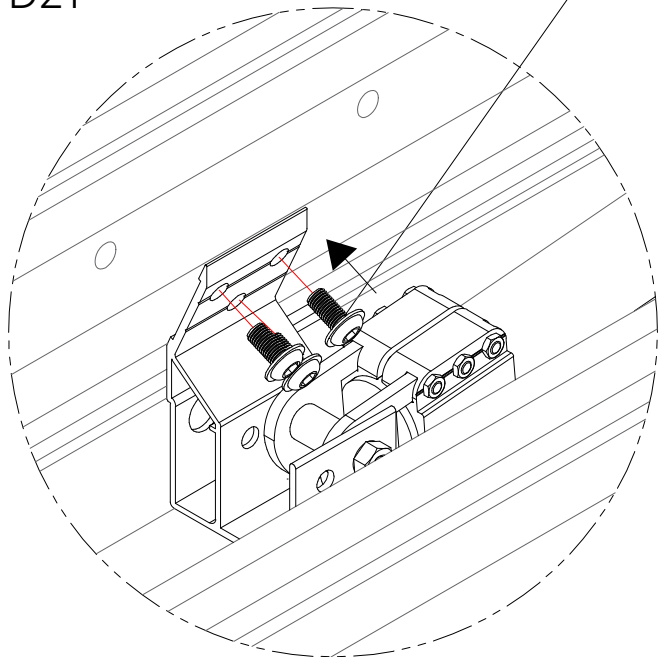


Ecoclimatic Second Step : Mounting Roof

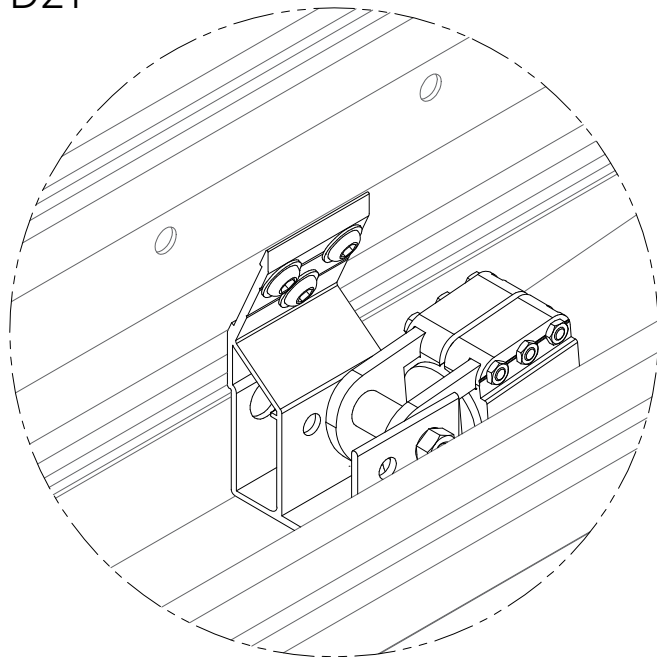


D21

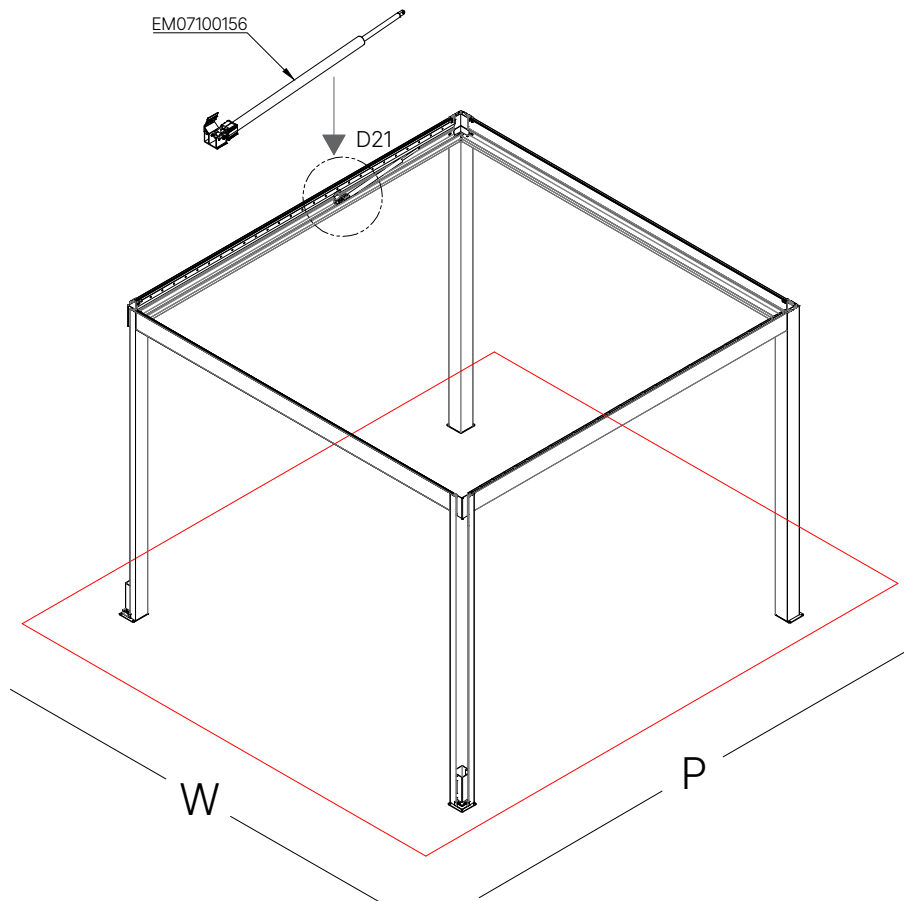
EM10200006



D21

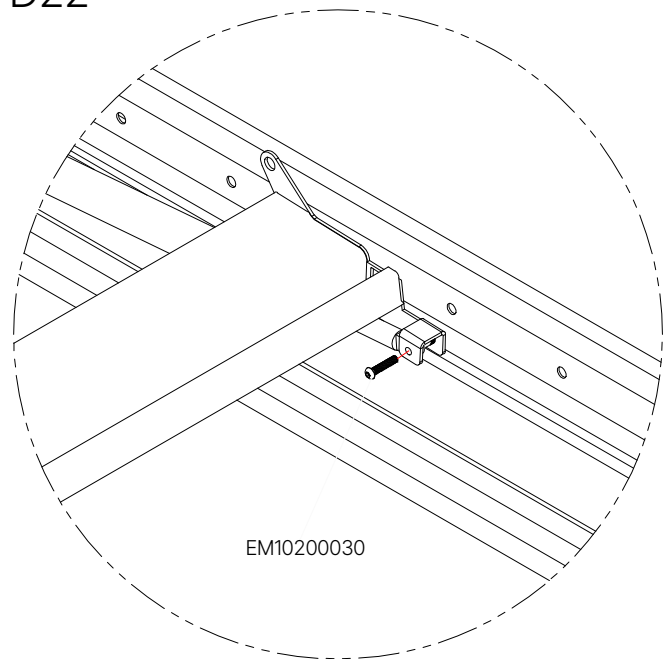


EM07100156

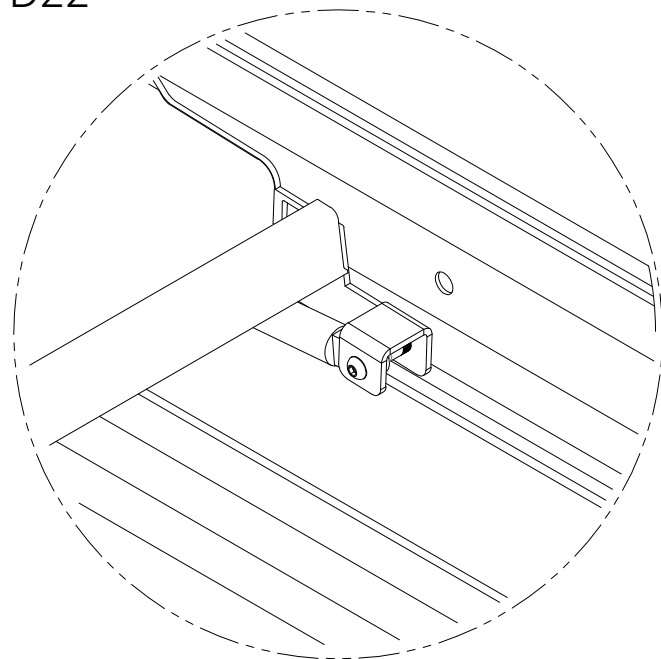


The EM07100156 coded motor is placed and screwed into the 3 holes drilled on the D1 coded profile.

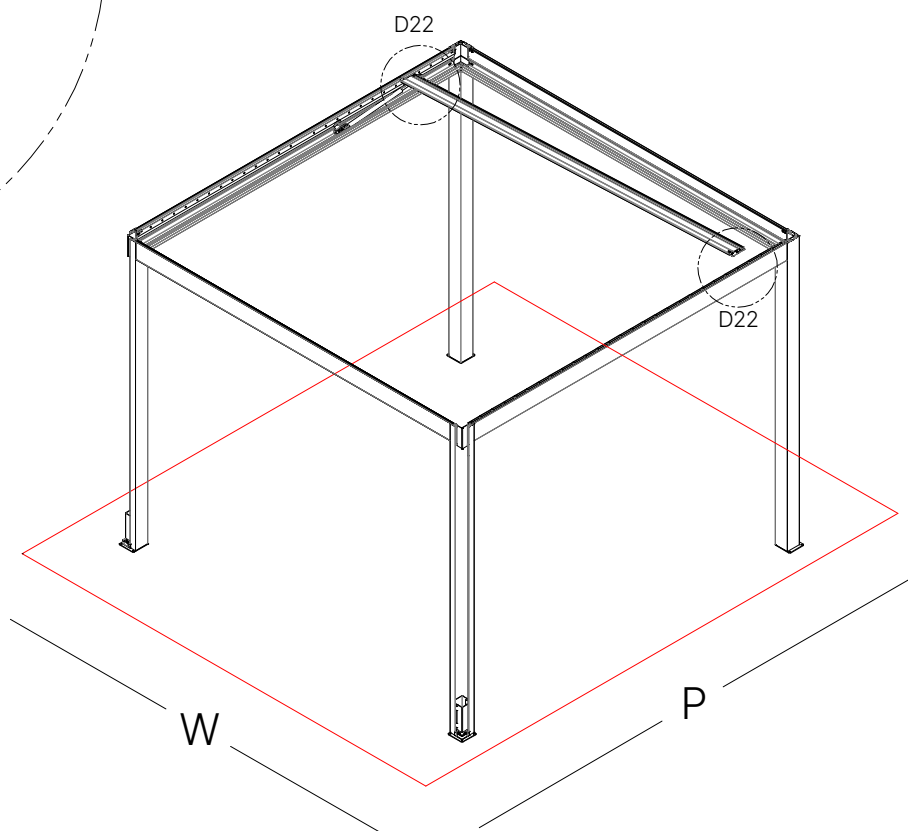
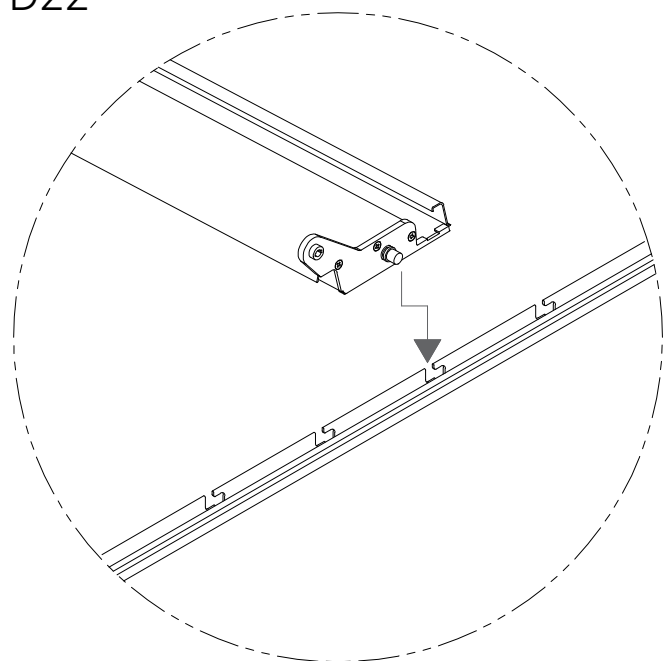
D22



D22



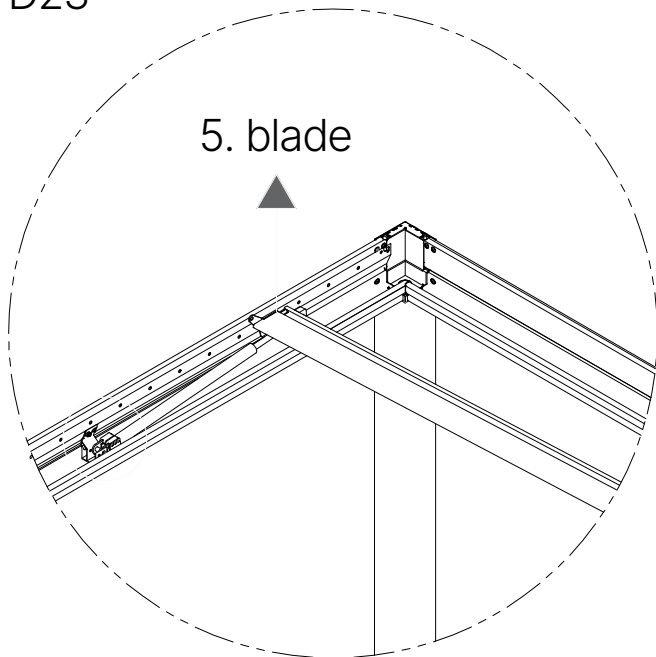
D22



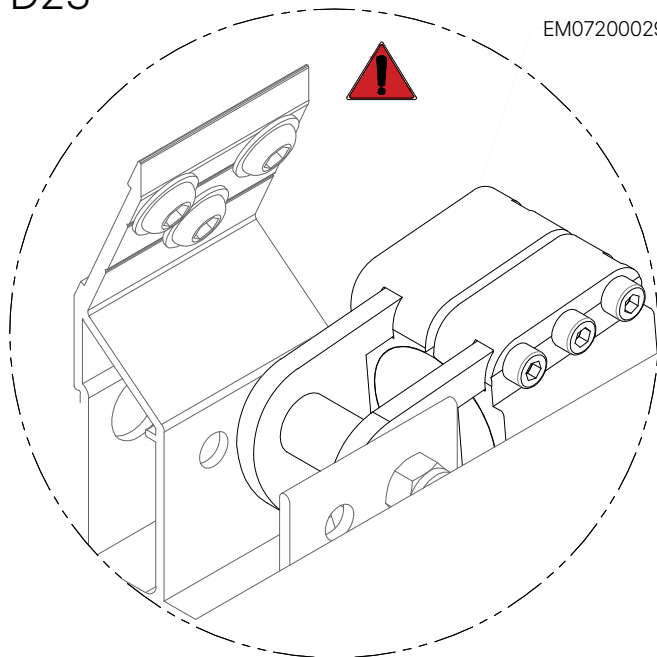
The previously prepared motor blade is connected to the motor and installed in the channels as shown above.

! This Detail Belongs to 4x4 System

D23

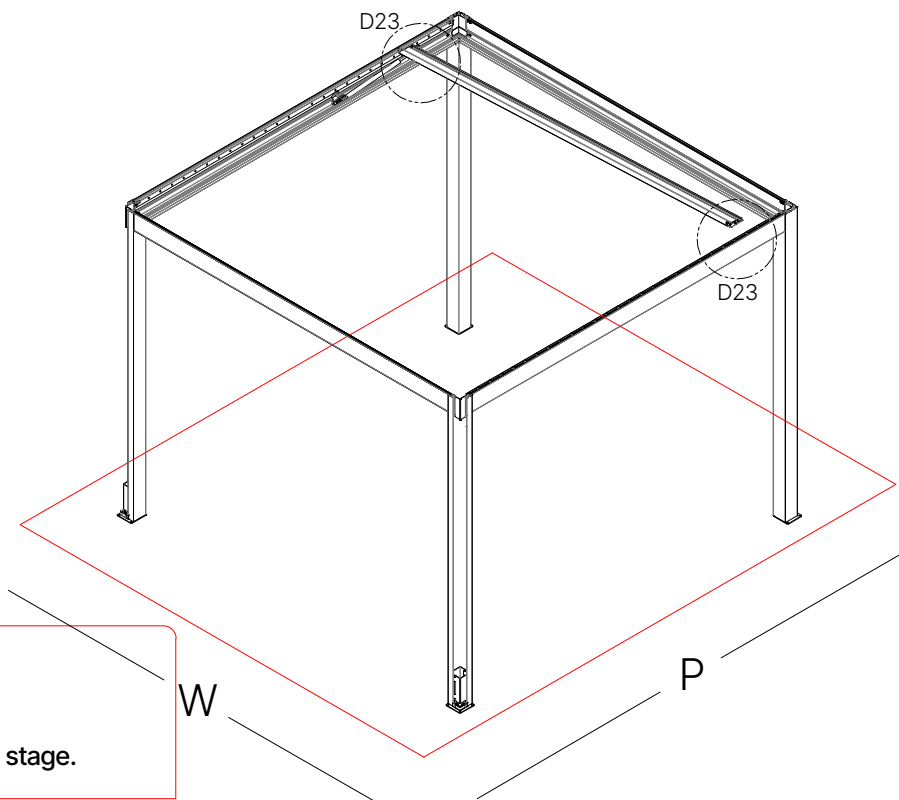


D23



! Attention

The details here apply to **4x4 meters**. This detail is also applied in the old version **4x5 meter** systems. If your system is **4x5 meters**, proceed to the next page.



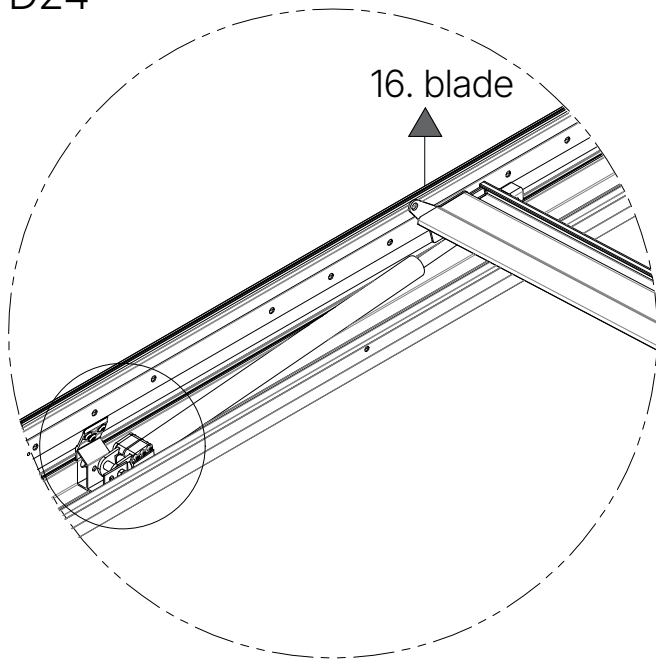
! Attention

Please see page 41 for instructions regarding LED and cable connection applications at this stage.

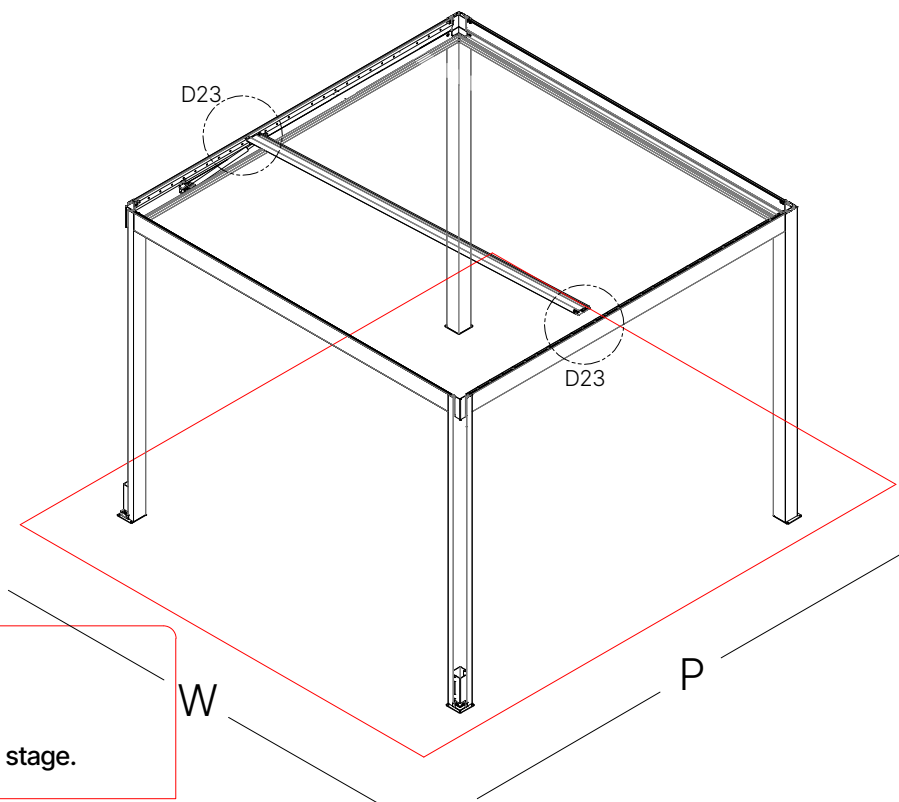
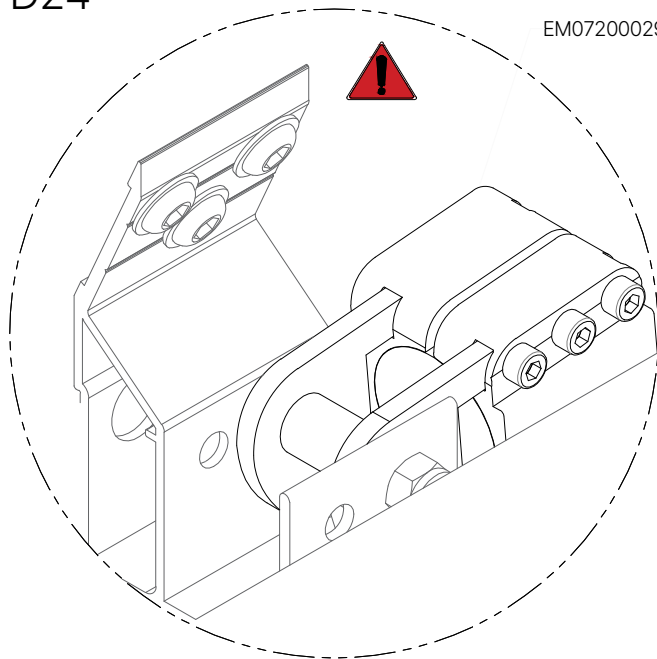
The screws on the accessory with code EM07200029 are loosened. The motor arm is positioned correctly while the motor blade is in the closed position. The screws on the accessory with code EM07200029 are tightened to adjust the motor position.

! This Detail Belongs to 4x5 System

D24



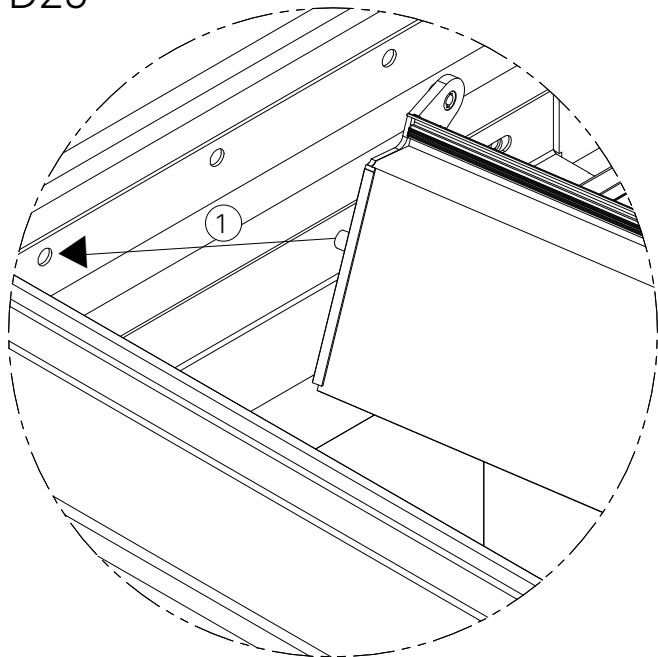
D24



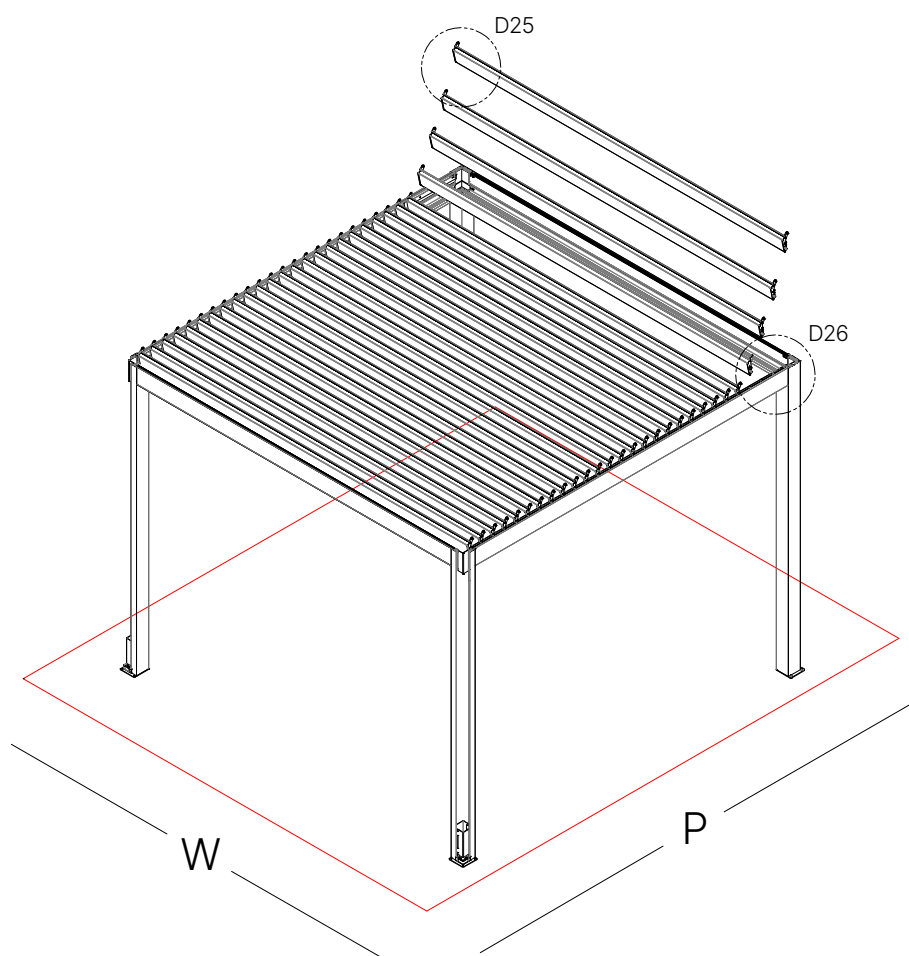
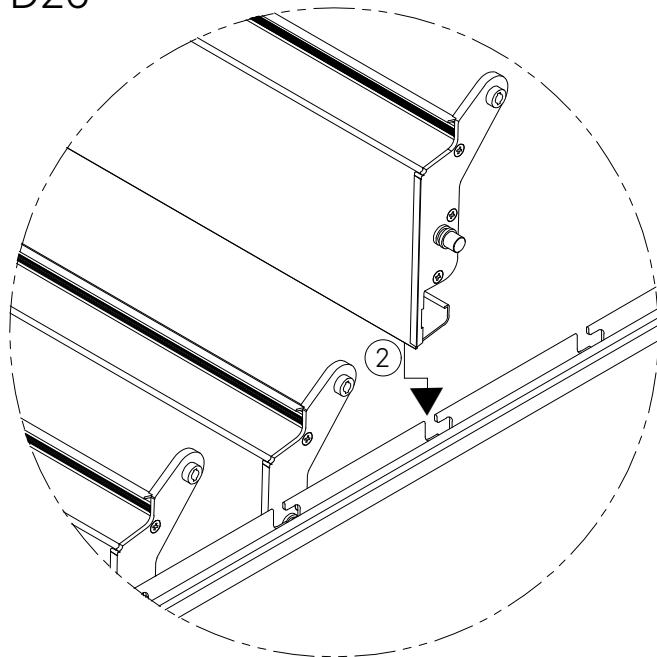
! Attention
 Please see page 41 for instructions regarding LED and cable connection applications at this stage.

The screws on the accessory with code EM07200029 are loosened. The motor arm is positioned correctly while the motor blade is in the closed position. The screws on the accessory with code EM07200029 are tightened to adjust the motor position.

D25

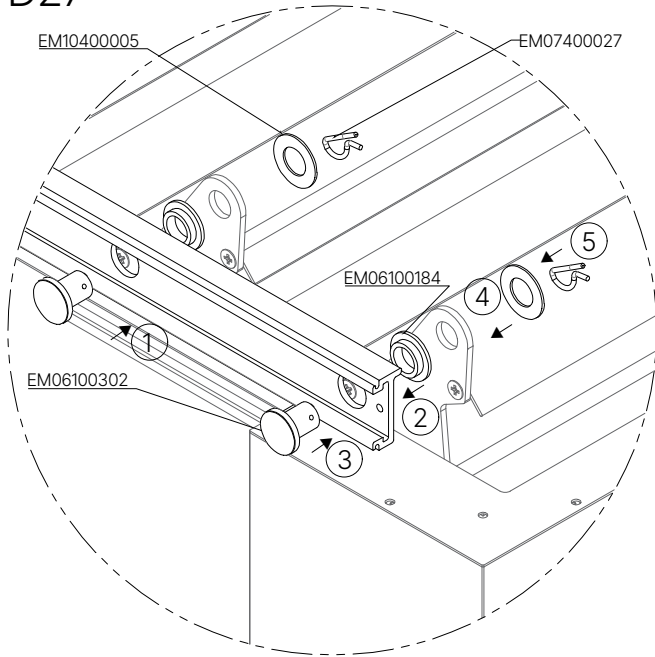


D26

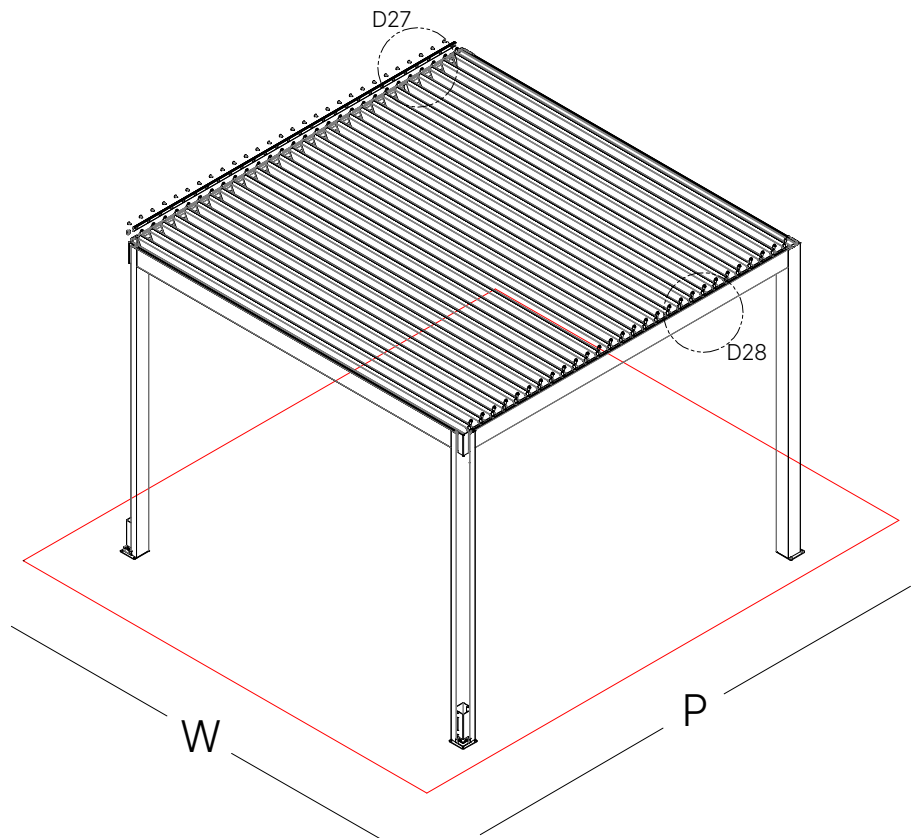
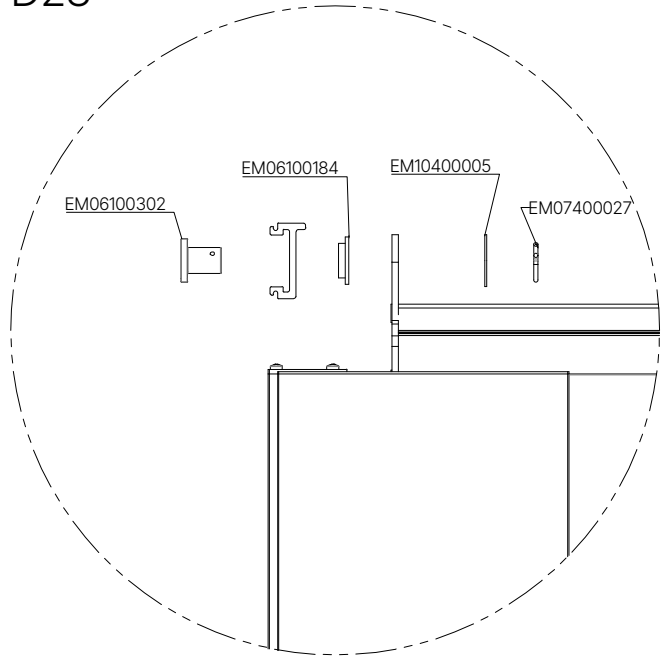


Other previously prepared blades are attached to the channels sequentially as shown above.

D27

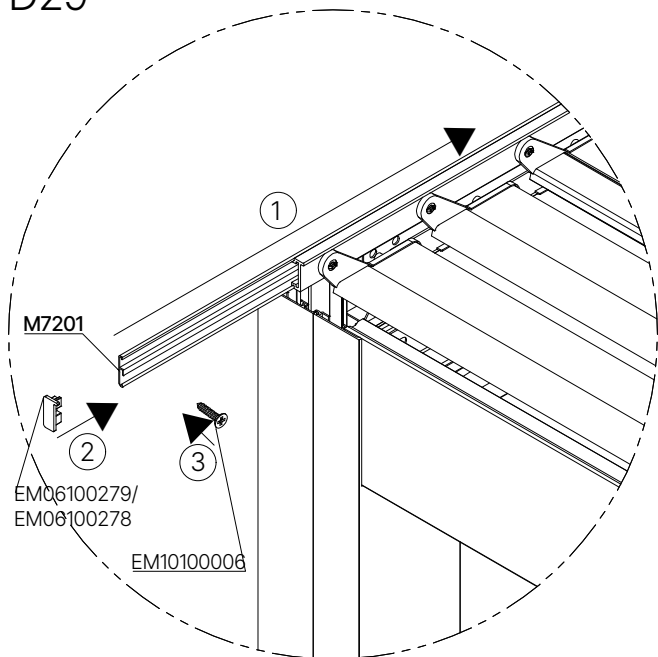


D28

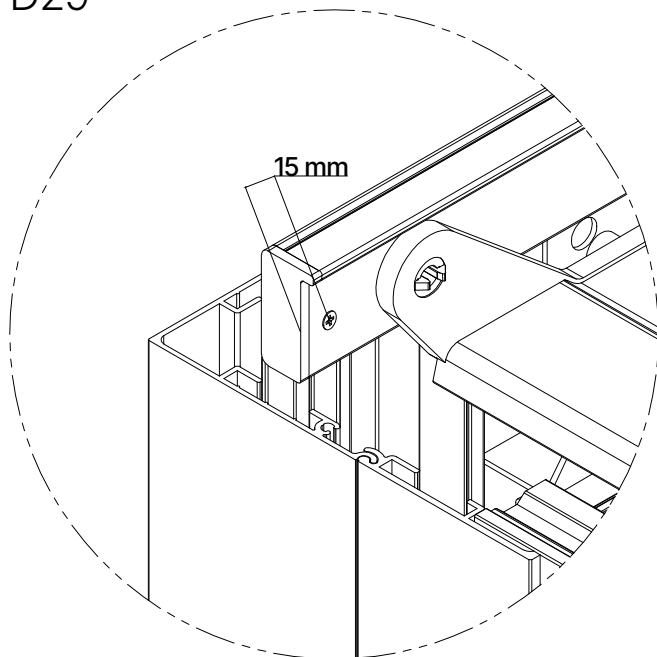


The movement arm (M7031) on the right and left is inserted as shown above. An additional part is placed for the motor blade.

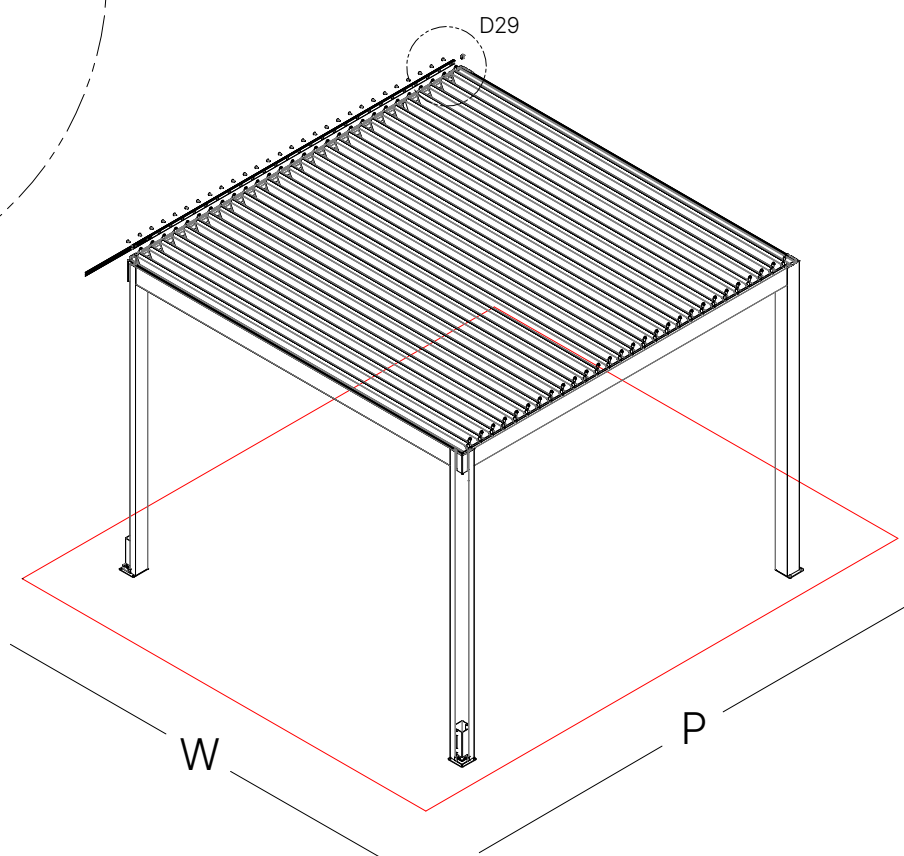
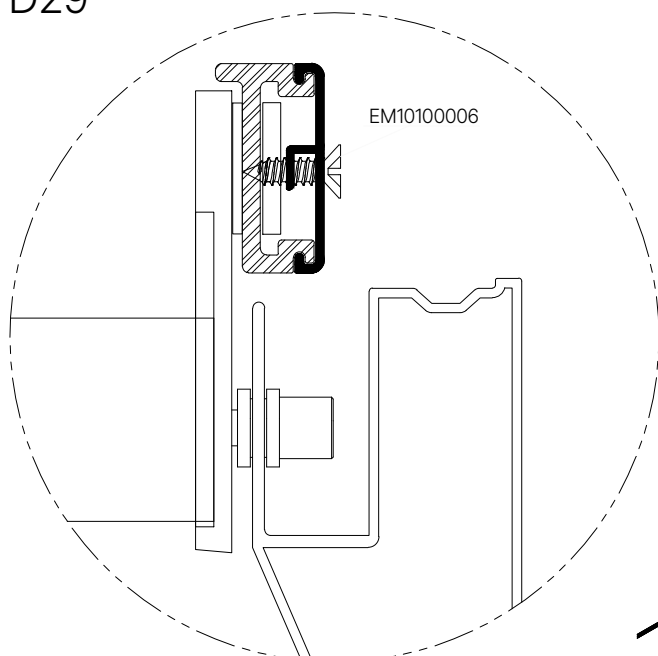
D29



D29

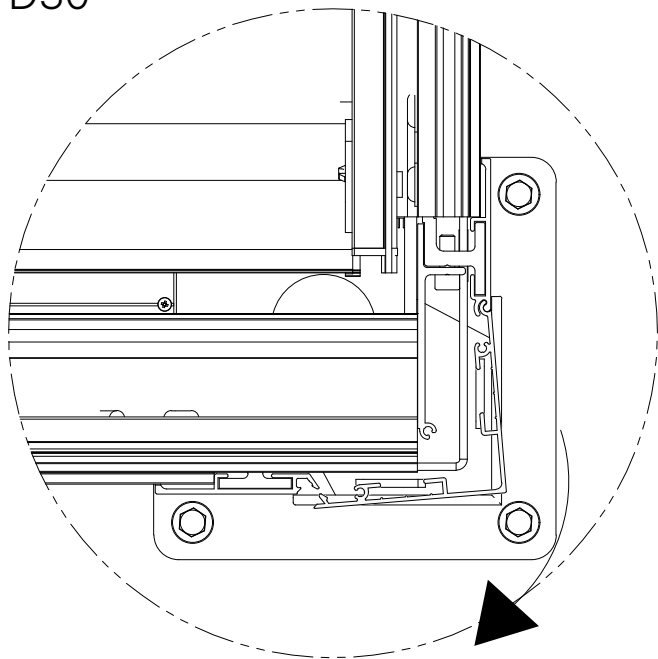


D29

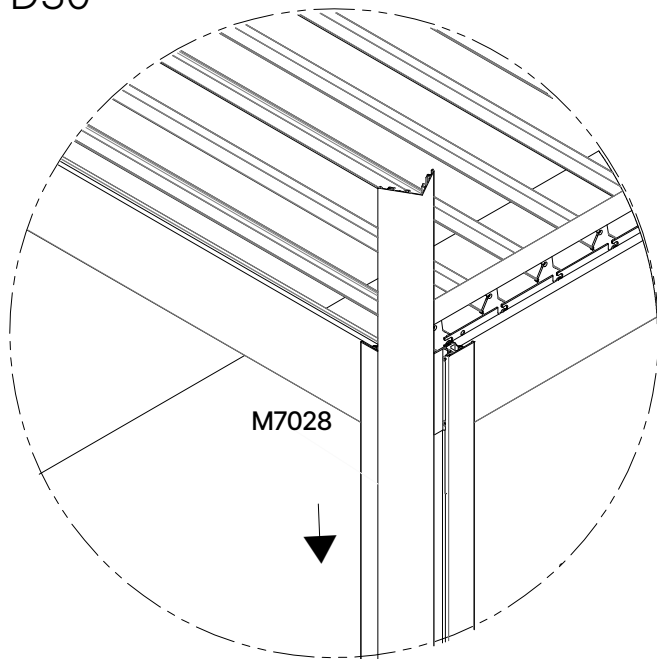


The cover profiles of the movement arm (M7201) are inserted. The plastic covers to be used on the front and back are fixed by screwing after they are installed.

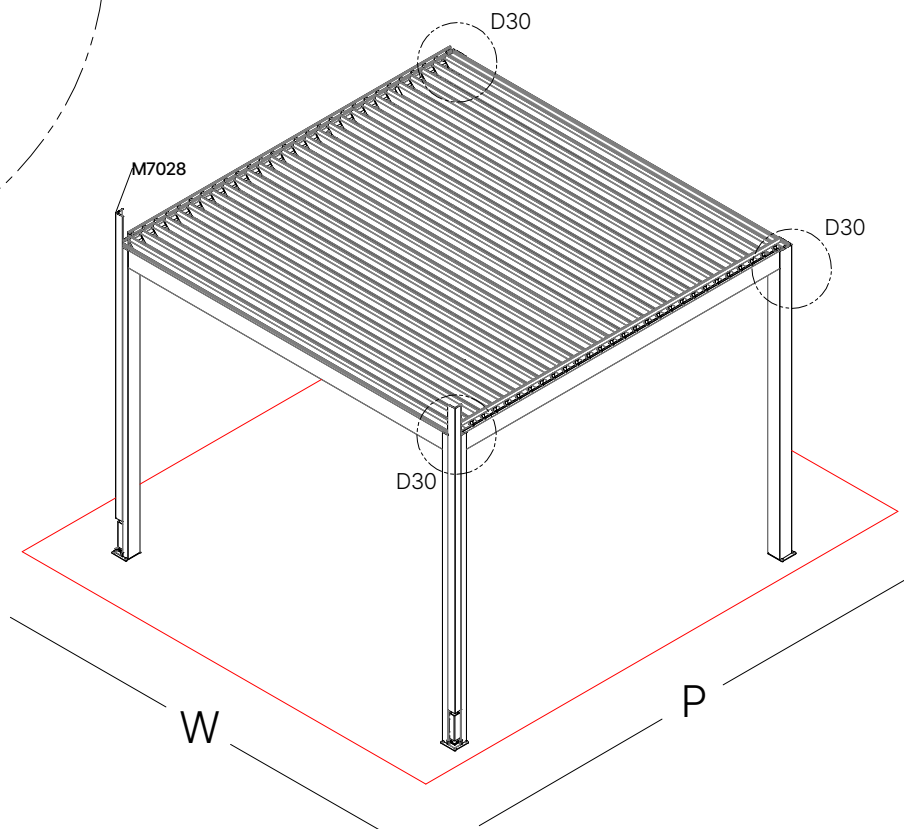
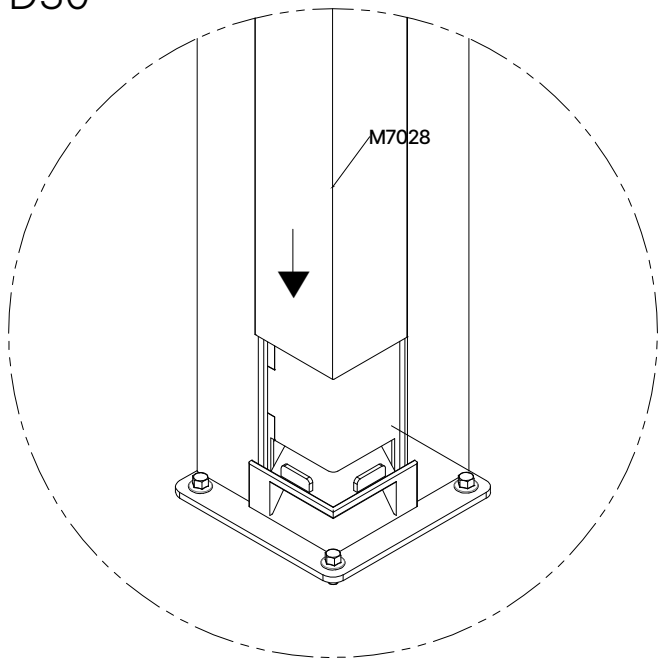
D30



D30

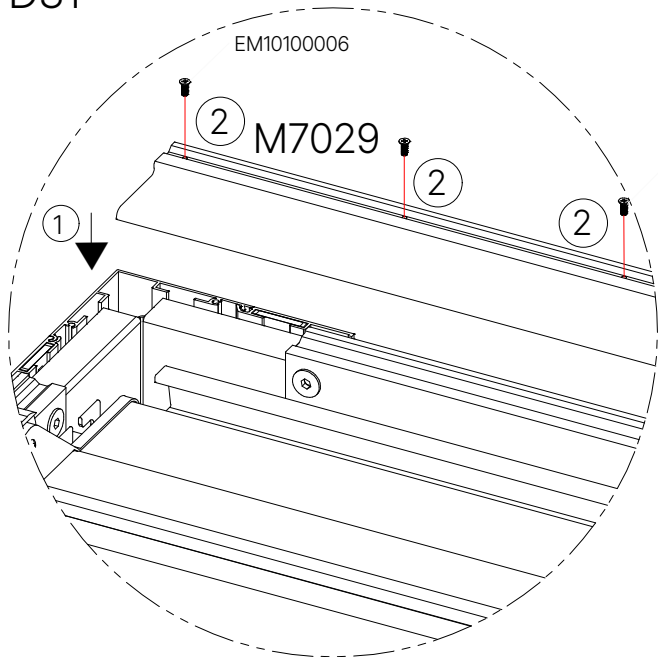


D30

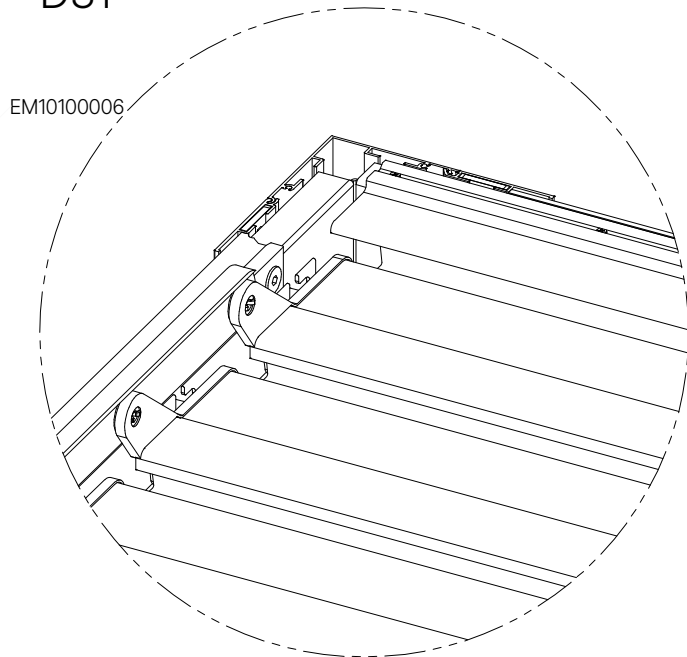


The pillar covers (M7028) on the front of the system are placed on the tabs and installed from top to bottom.

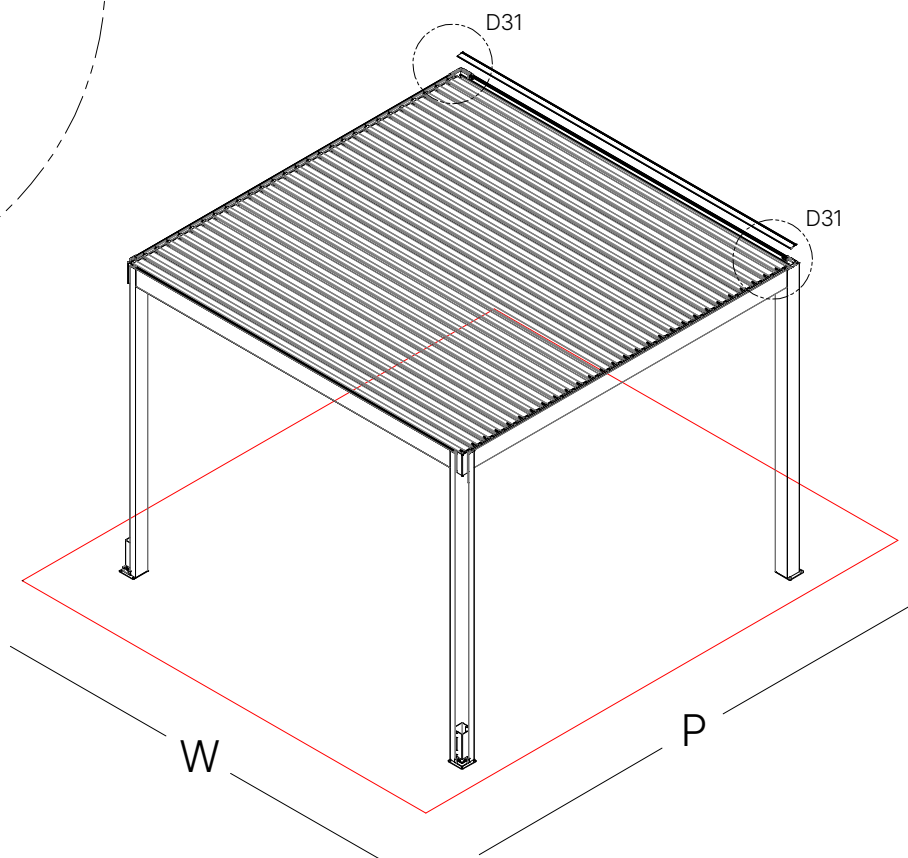
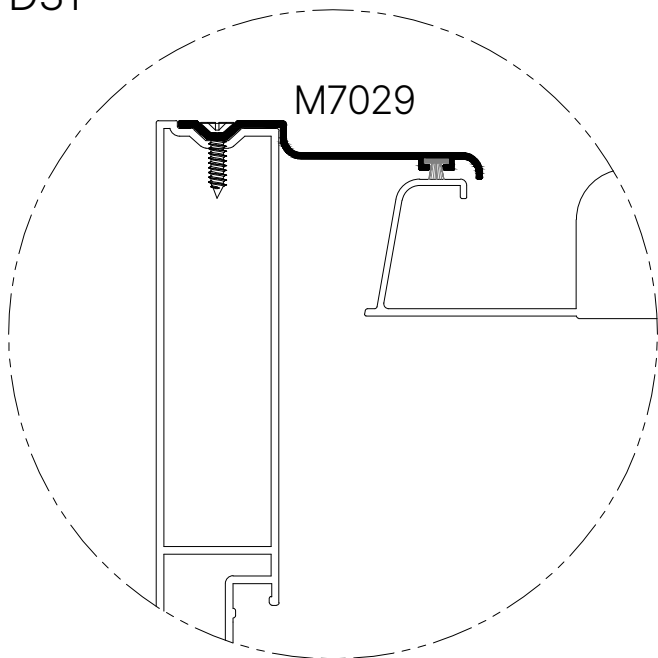
D31



D31

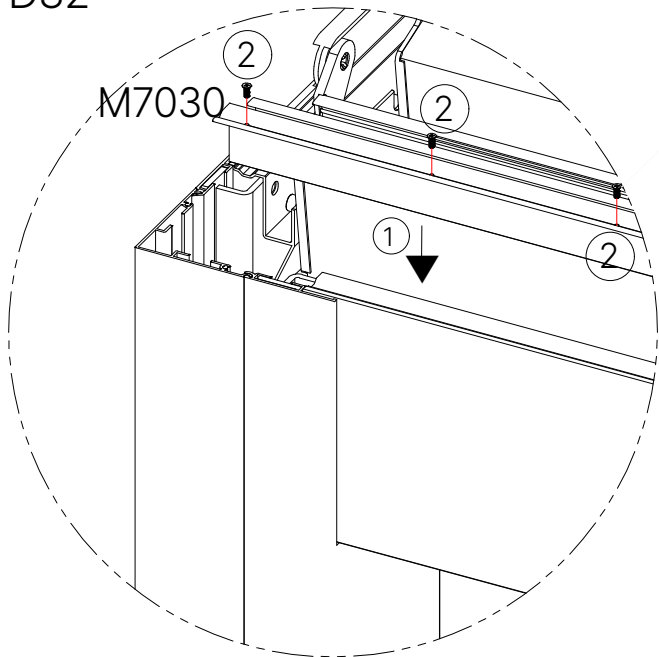


D31

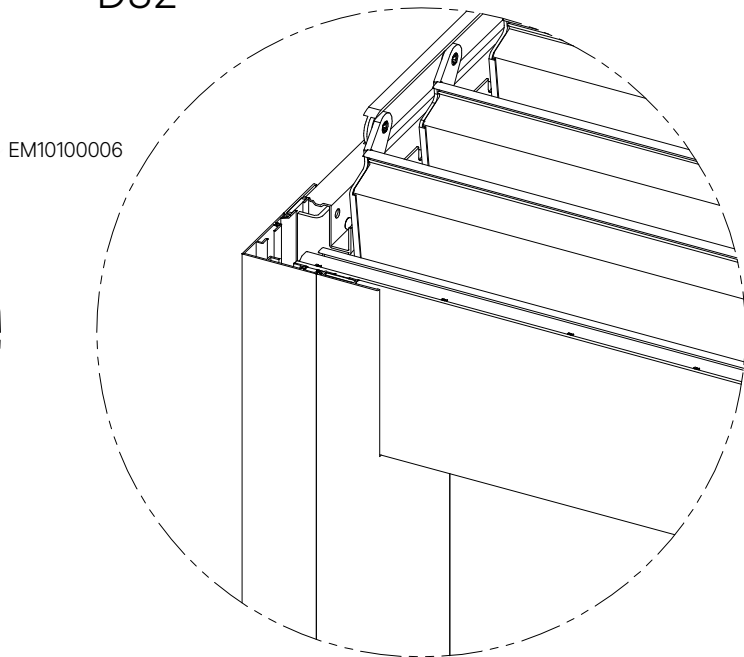


The rear cover profile is installed and screwed as shown above.

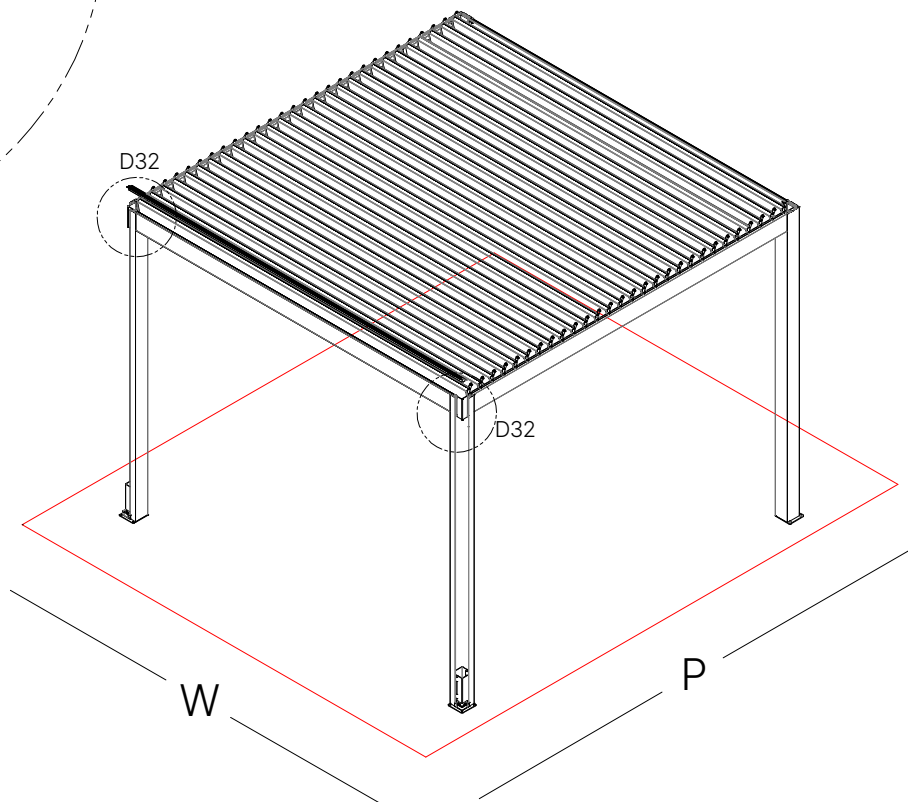
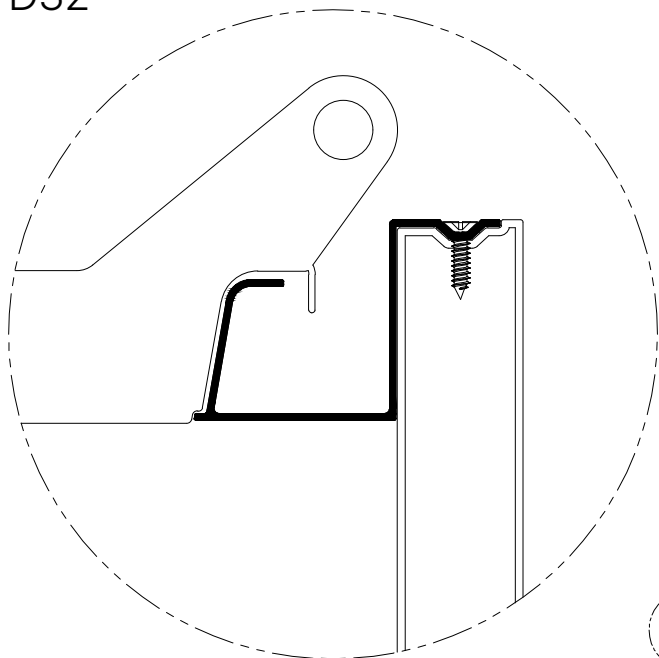
D32



D32



D32



The front cover profile is installed and screwed as shown above.

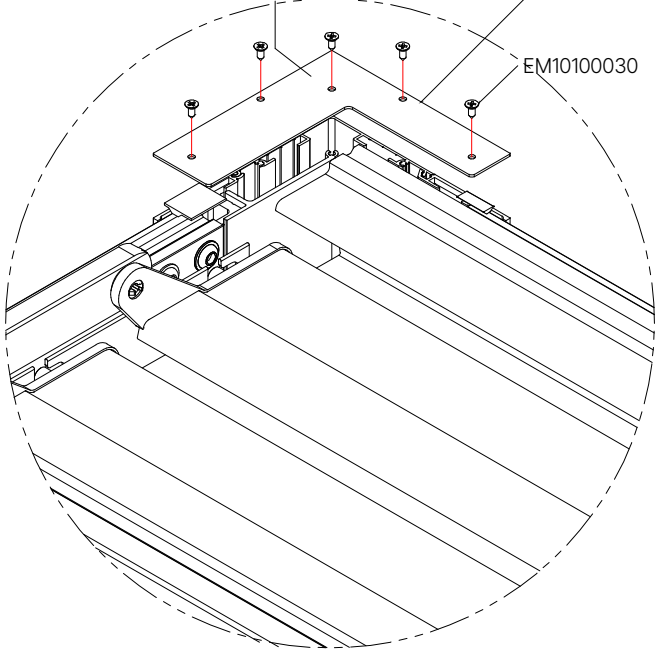
D33



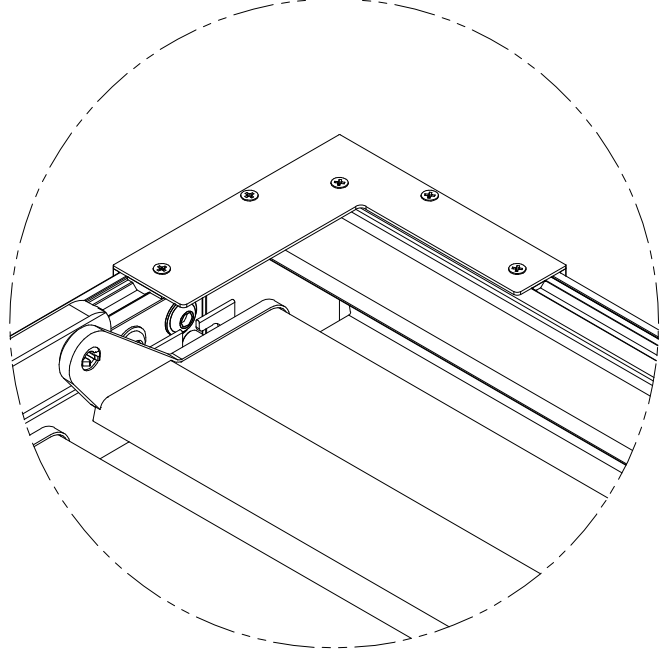
The thick edge should be oriented towards the P direction.

EM07100105

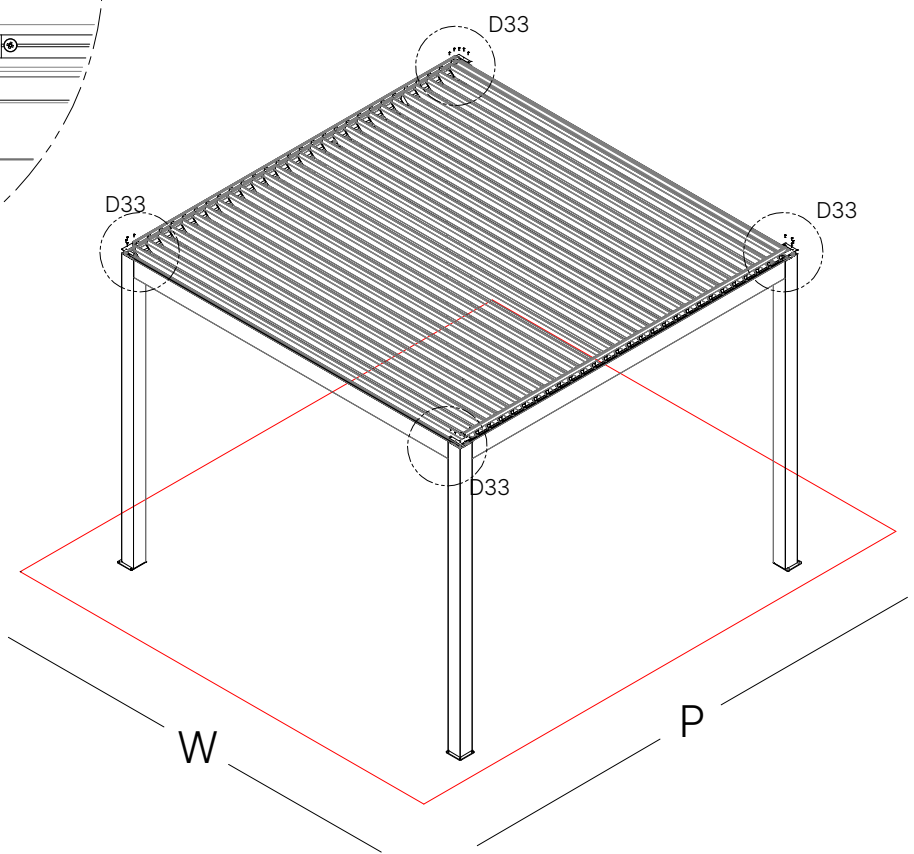
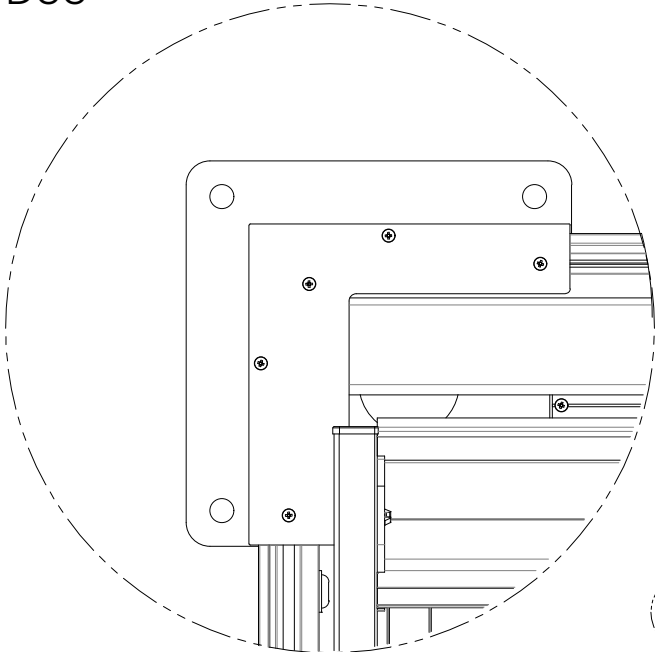
EM10100030



D33

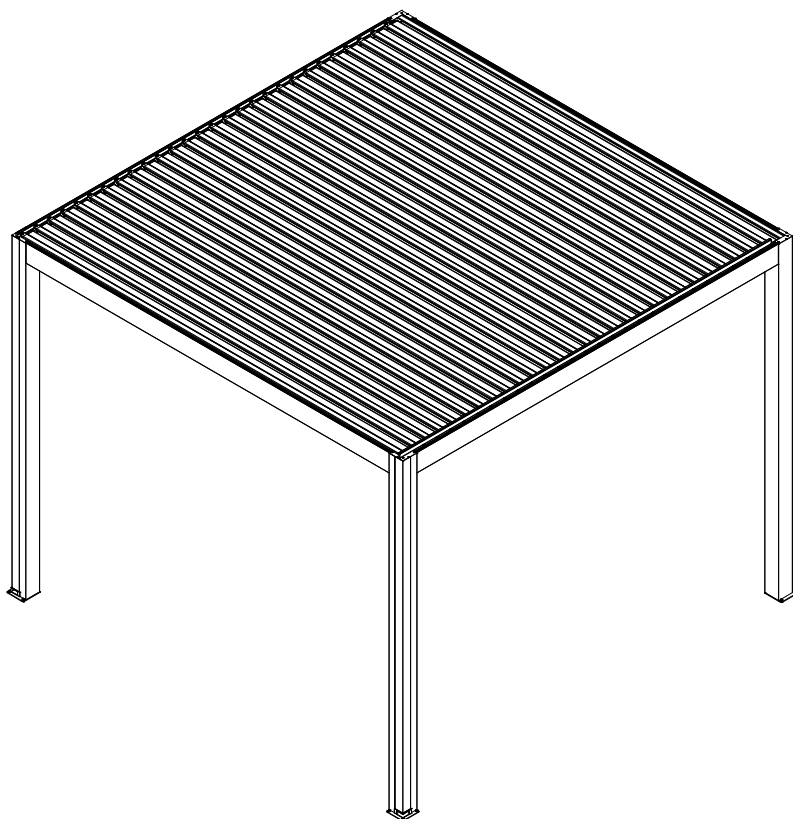


D33

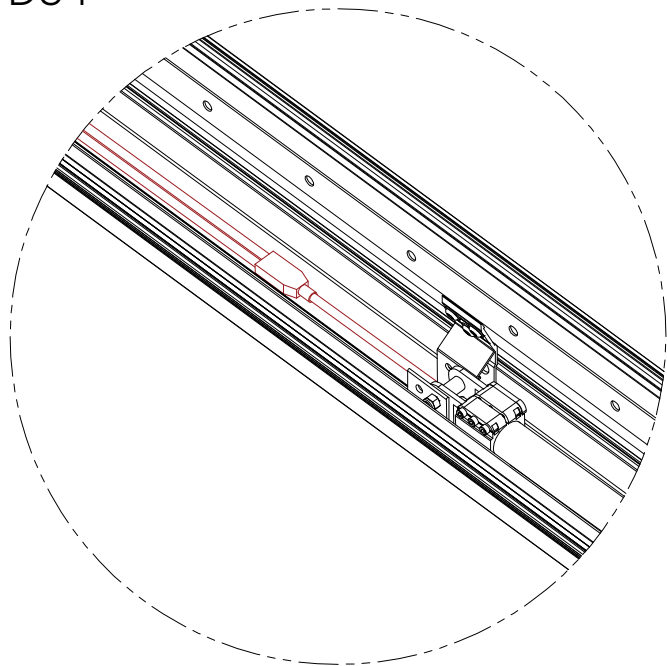


Corner covering plates are installed and screwed as above. The system is completed.

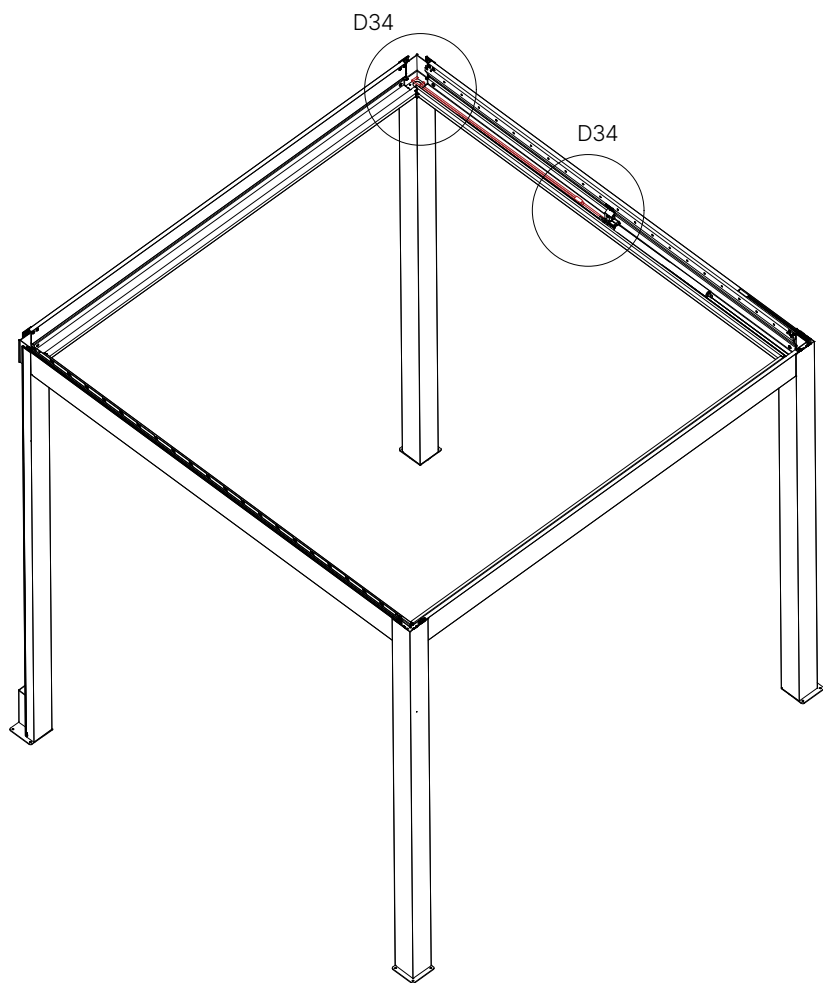
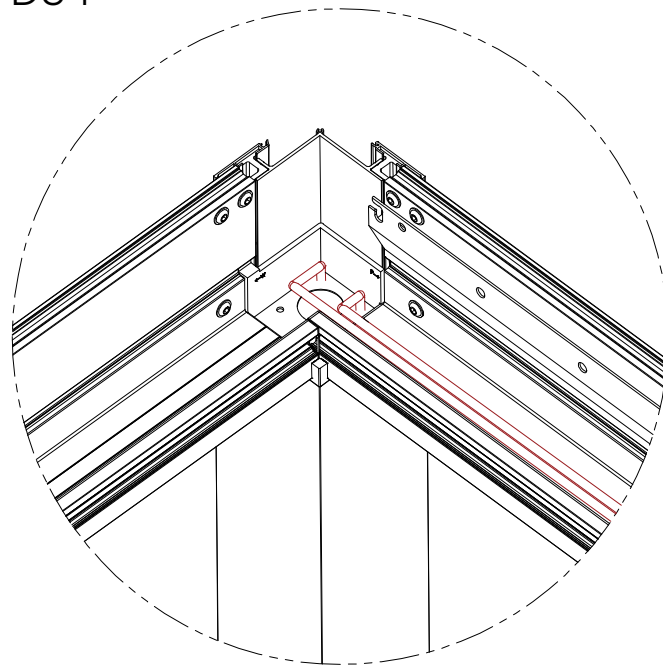
Chapter 1 : Led and Motor Cable Installation



D34

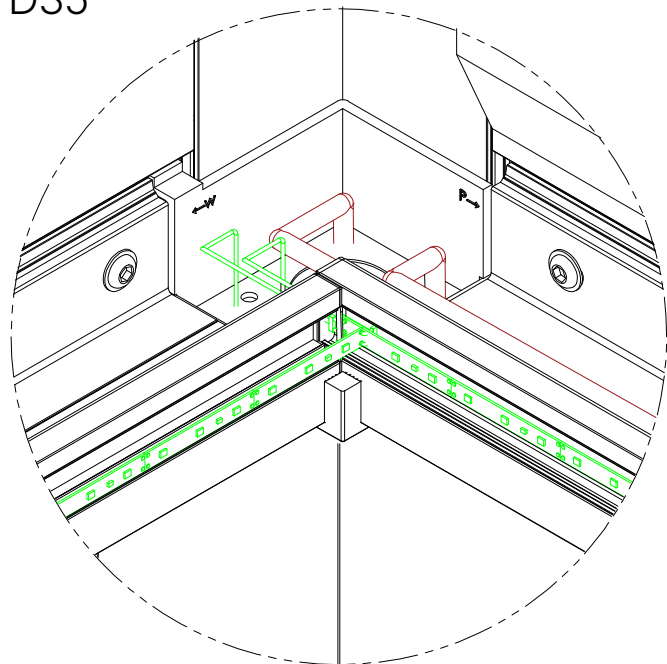


D34

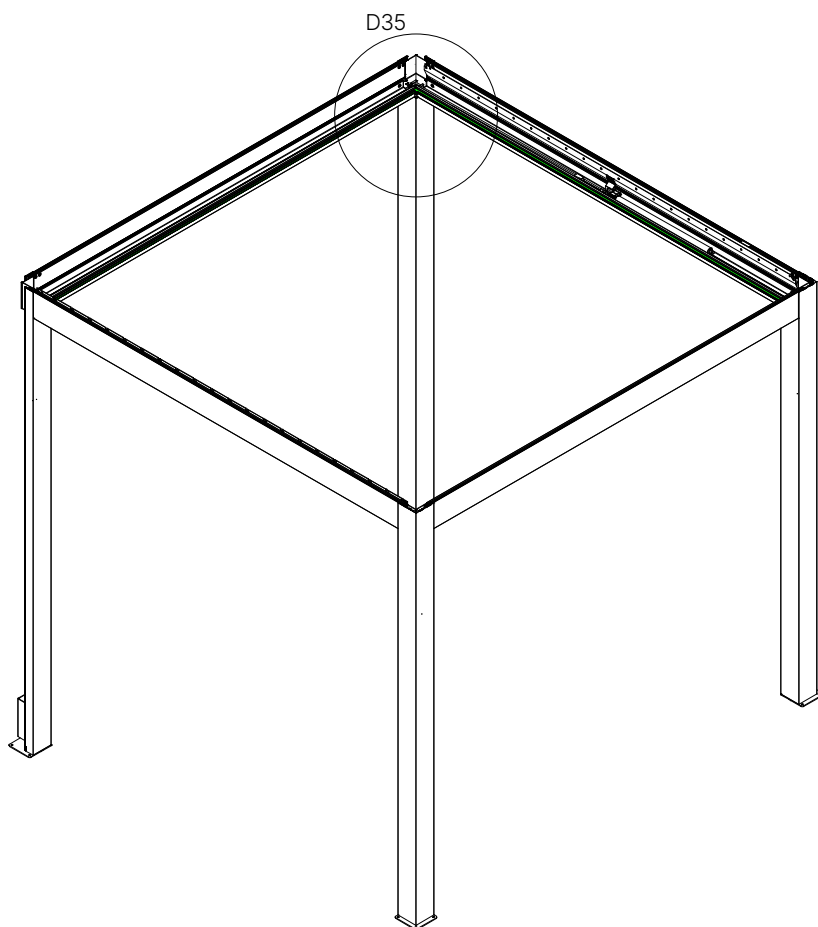
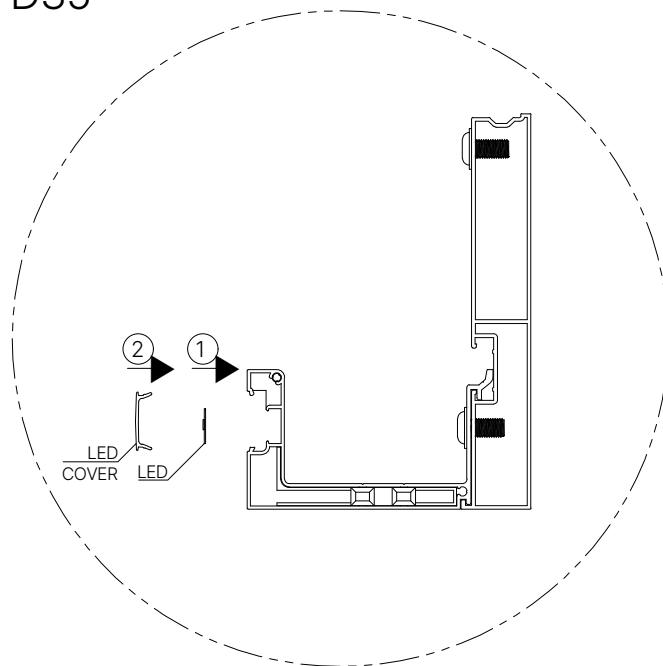


Two cables exiting from the motor are suspended down into the pillar through the designated cable exit points, inside the covered pillar.

D35

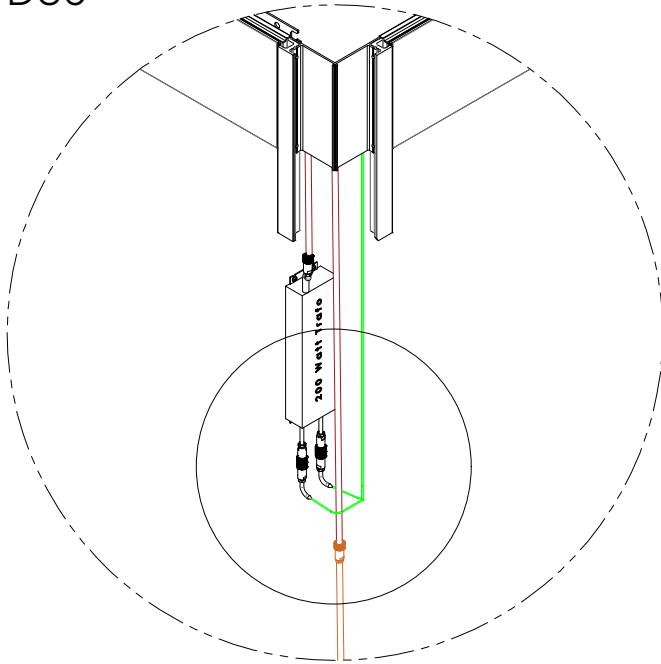


D35

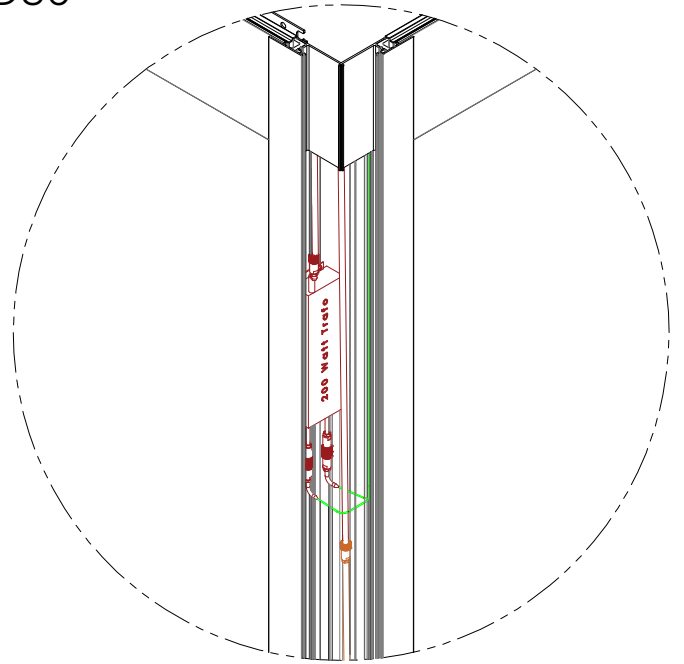


The LED application starts from the corner where the motor cables are connected and continues along the entire frame. The two cables belonging to the LED are suspended down from the single designated exit point on the seal. After the LED is installed, a PVC cover is placed over it.

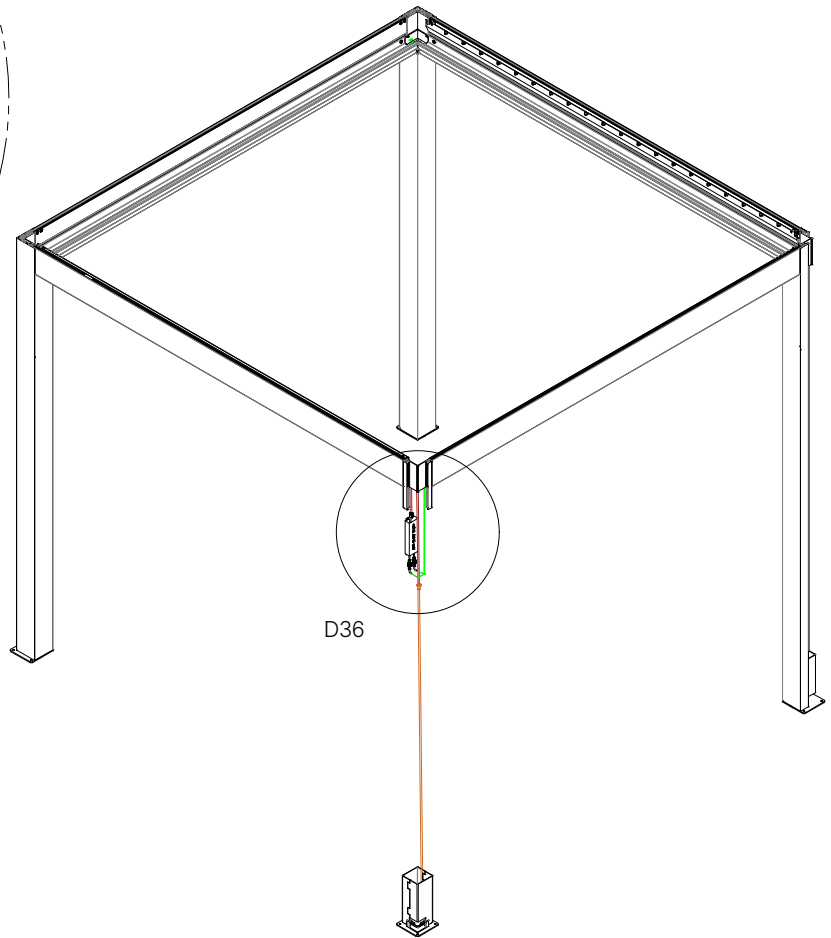
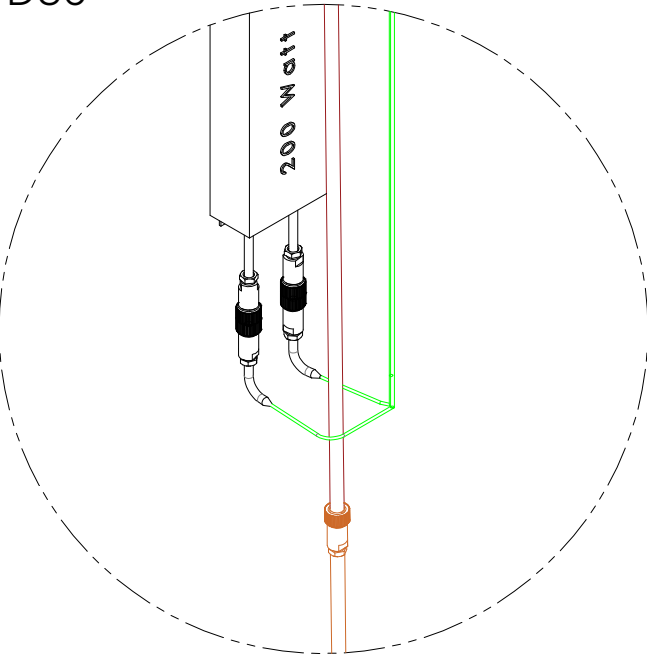
D36



D36



D36



The AC220V cable from the motor is connected to the mains line via a connector. The other cable is connected to the input section of the converter. The two cables from the LED are separately connected to the connectors on the output section of the converter.

Chapter 2 : Electrical Wiring

