

EGHUUN

INSTALLATION CATALOGUE

FREE-STANDING

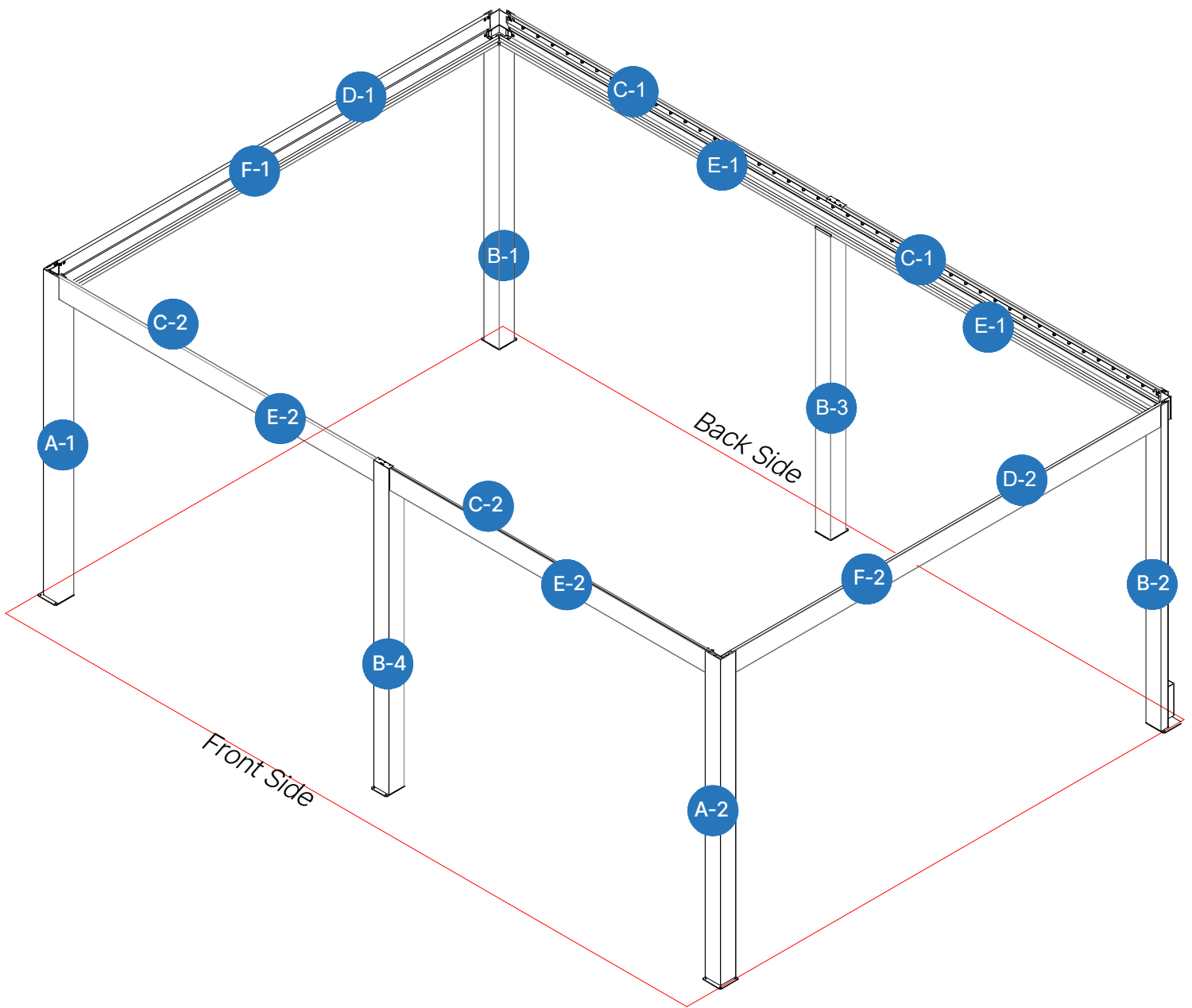
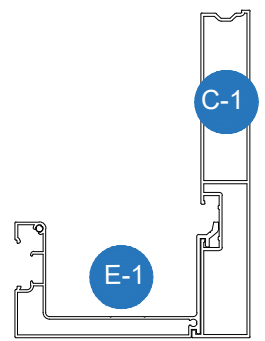
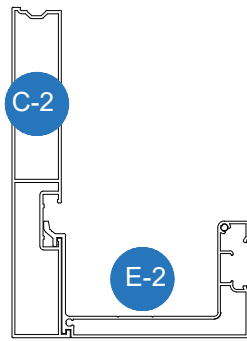
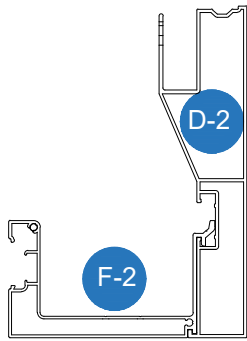
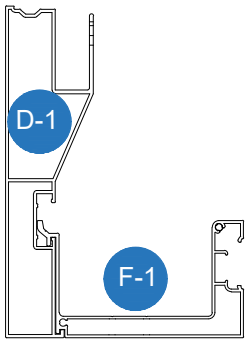
CM-1.3.2502



PERGOLA MEZZO

EN

4x6 System



W: System Width

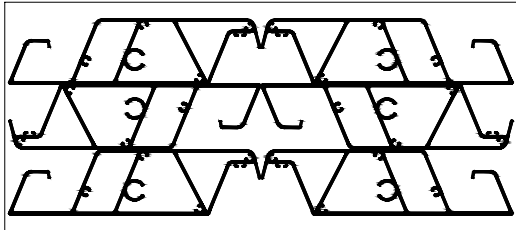
P : System Projection

Contents

Box Contents for 4x6 System	1-2
Necessary Tools for The Ecoclimatic System	3
Ecoclimatic Profiles For First Step	4-5
Ecoclimatic Accessories For First Step.....	6-8
Ecoclimatic First Step : Making Frame	9-21
Ecoclimatic Profiles For Second Step	22
Ecoclimatic Accessories For Second Step.....	23-26
Ecoclimatic Second Step : Preparing Blades	27
Ecoclimatic Second Step : Preparing Motor Blades	28
Ecoclimatic Second Step : Mounting Roof	29-38
Led Installation	39-42
Electrical Wiring	43-45

Box Contents for 4x6 System

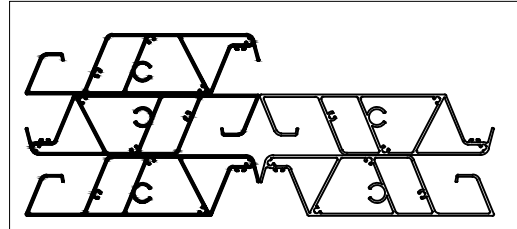
L3



M7400X6

6x

L6



M7400X5

1x

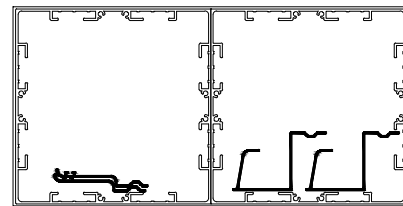
L4



M7400X2

2x

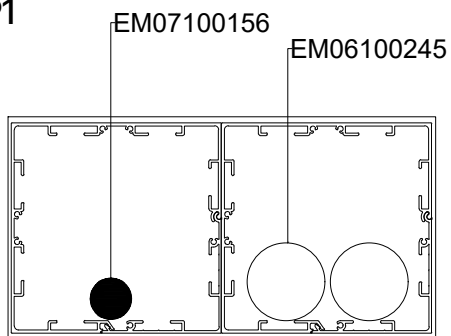
P7



M7030 x2
M7029 x2
M7137 x2

1x

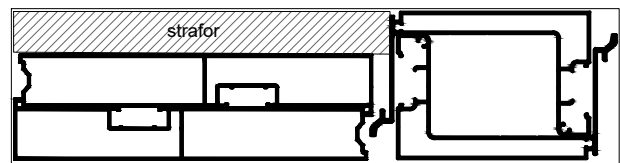
P1



M7037 (A1-A2) x2
M7028 (A1-A2) x2
EM07100156 x1
EM06100245 x2

1x

F3

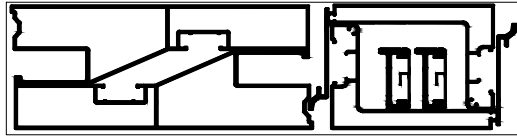


M7033 x2
M7034 x2

1x

Box Contents for 4x6 System

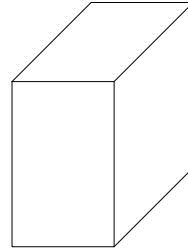
F9



M7035 (D1-D2) x2
M7033 (F1-F2) x2
M7031 x2
M7201 x2

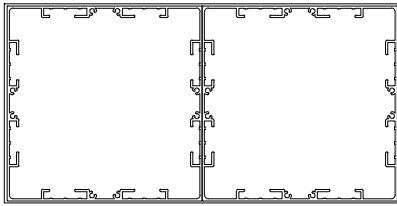
1x

A12



1x

P8

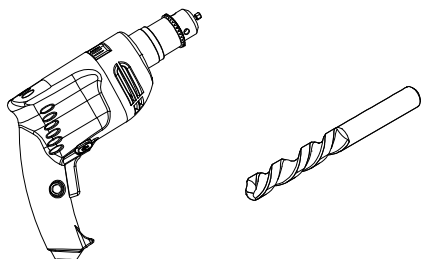


M7137 x2

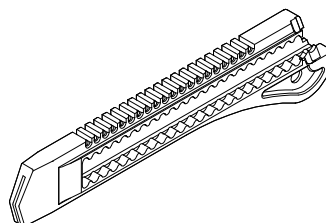
1x

Necessary Tools for The Ecoclimatic System

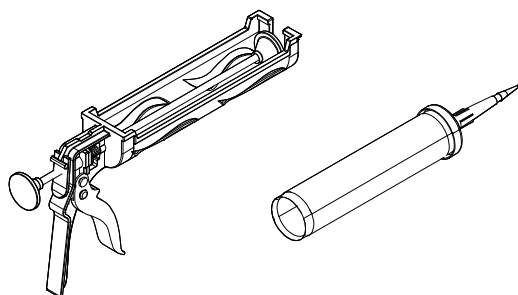
Cordless Drill & Drilling Bit (8 mm)



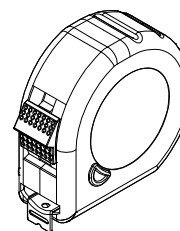
Carpet Knife



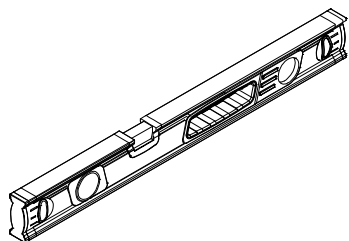
Silicon Gun & Silicon



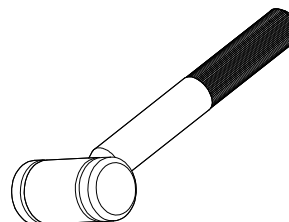
Tape Measure



Water Level

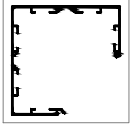


Knob



Ecoclimatic Profiles For First Step

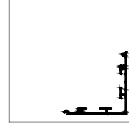
M7037



A-1 A-2

For 4x6 meters systems : 2 pcs

M7028



A-1 A-2

For 4x6 meters systems : 2 pcs

M7033



E-1 E-2 F-1 F-2

For 4x6 meters systems : 4 pcs

M7034



C-1 C-2

For 4x6 meters systems : 2 pcs

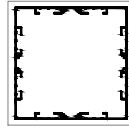
M7035



D-1 D-2

For 4x6 meters systems : 2 pcs

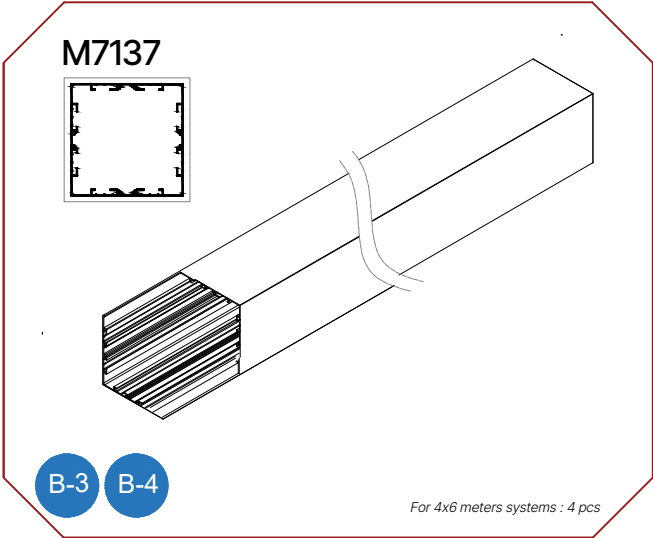
M7137



B-1 B-2

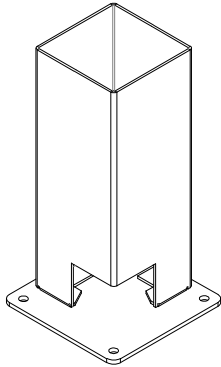
For 4x6 meters systems : 4 pcs

Ecoclimatic Profiles For First Step



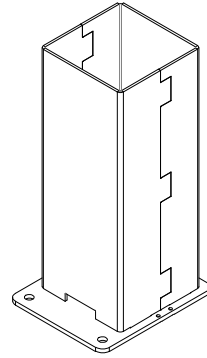
Ecoclimatic Accessories For First Step

EM07100104



For 4x6 meters systems : 4 pcs

EM07100202

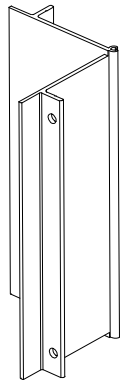


For 4x6 meters systems : 2 pcs

EM07200028



This product has a direction

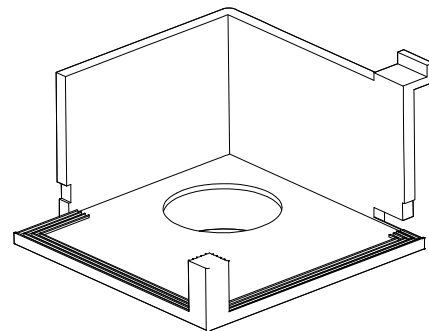


For 4x6 meters systems : 4 pcs

EM06100186

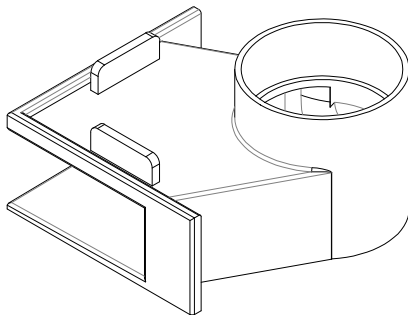


This product has a direction



For 4x6 meters systems : 4 pcs

EM06100229 - (Black)
EM06100295 - (White)



For 4x6 meters systems : 2 pcs

EM06100245

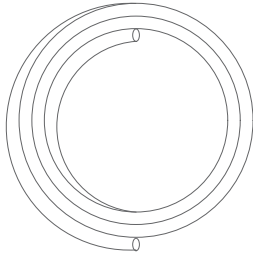


For 4x6 meters systems : 2 pcs

Ecoclimatic Accessories For First Step

EM06200059

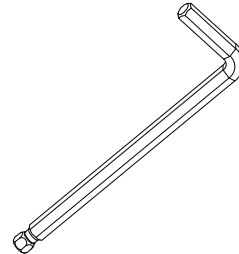
15 mm cord



For 4x6 meters systems : 1 pcs

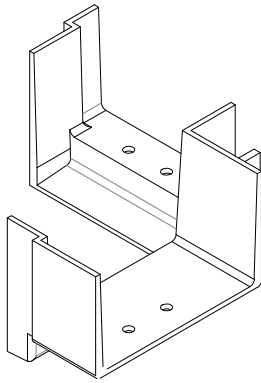
Allen Key -

EM13000062 & EM13000063



For 4x6 meters systems : 1 pcs

EM06100292

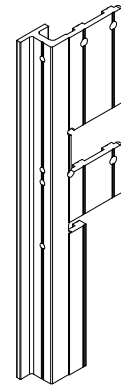


For 4x6 meters systems : 2 pcs

EM07200027

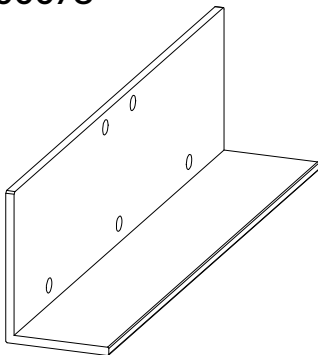


This product has a direction



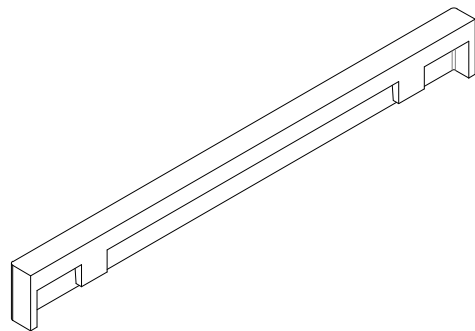
For 4x6 meters systems : 8 pcs

EM07200078



For 4x6 meters systems : 2 pcs

EM06100297

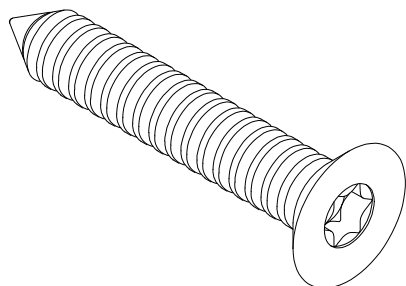


For 4x6 meters systems : 2 pcs

Ecoclimatic Accessories For First Step

EM10100005

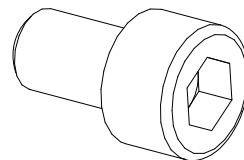
7,5x100 mm Buldex Screw



For 4x6 meters systems : 28 pcs

EM10200025

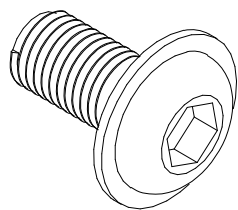
M6x12 Imbus



For 4x6 meters systems : 16 pcs

EM10200006

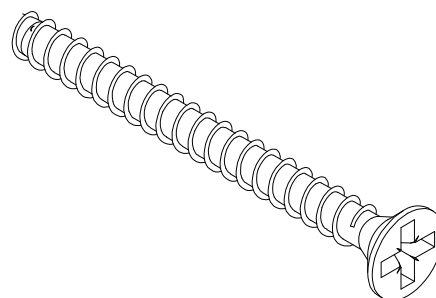
M8X12 Bolt



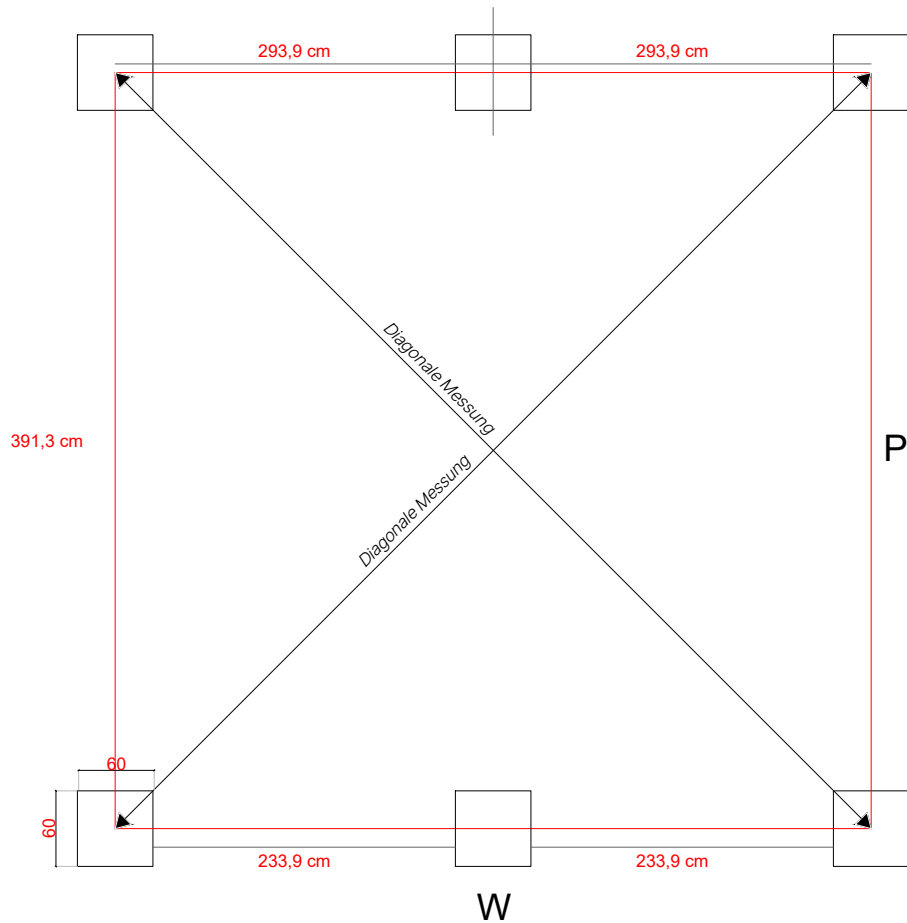
For 4x6 meters systems : 24 pcs

EM10100017

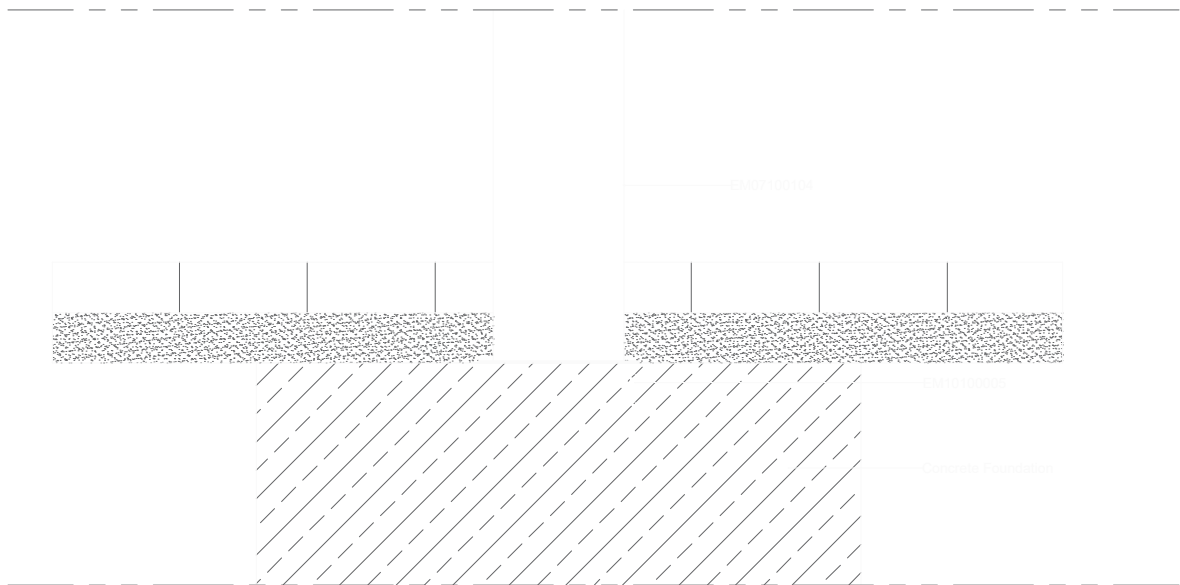
3,9x38mm Screw



For 4x6 meters systems : 12 pcs



If your system is 4x6 meters, then the diagonal measurement should be 706.1 cm.

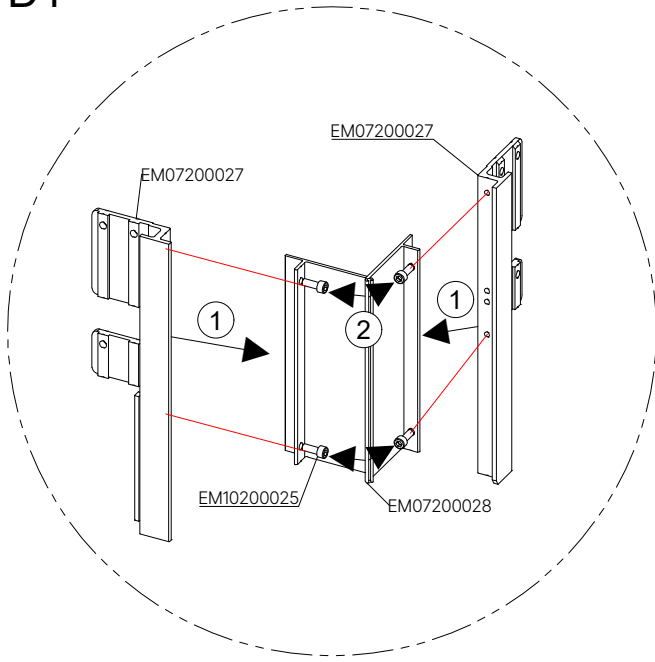


Section Detail

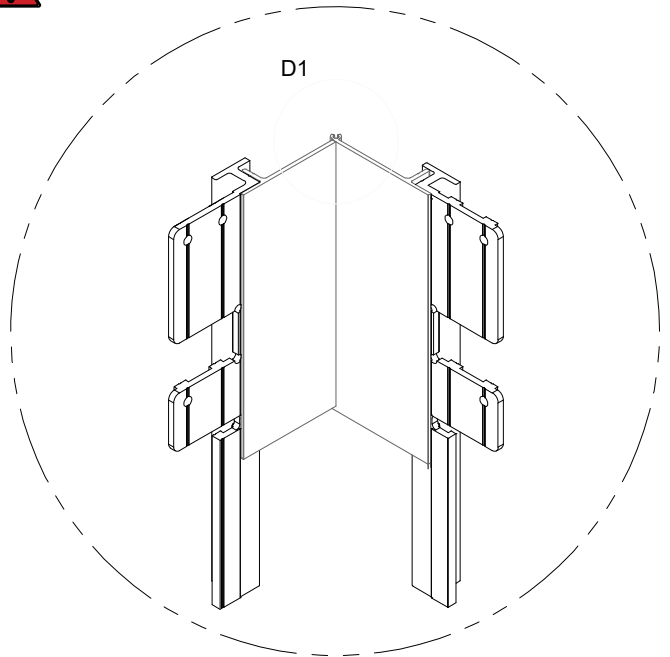
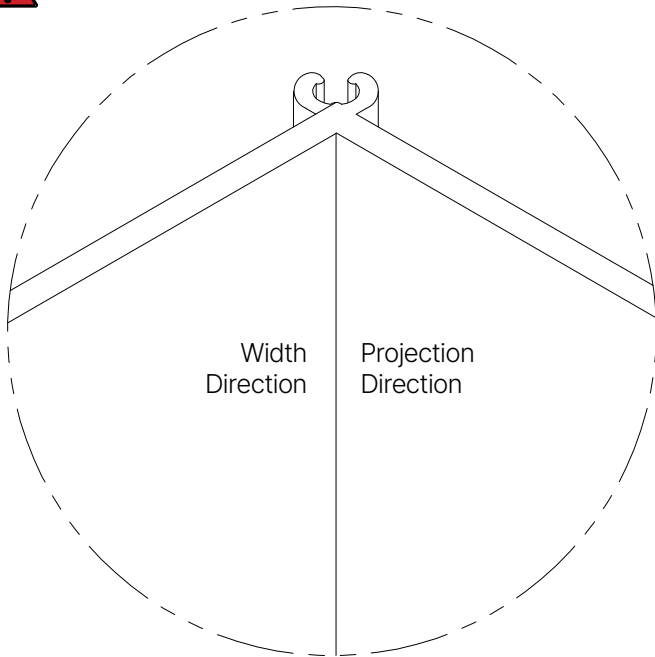
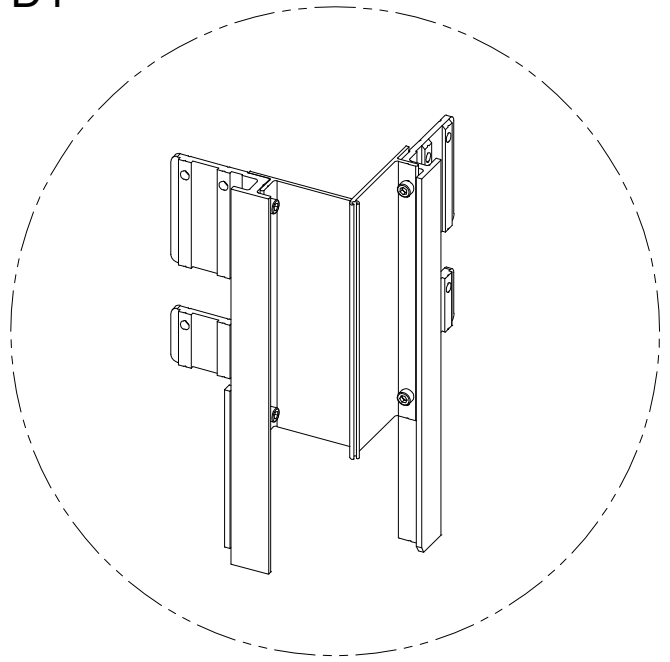
To ensure maximum durability of your pergola against environmental conditions, we recommend reinforcing the surface where the structure will be installed. In this regard, it is advisable to create reinforced point foundations measuring 60x60x80 cm and secure your pergola to these foundations using anchor bolts (EM10100005). Alternatively, you can also screw your pergola directly into patio surfaces such as stone or wooden decking

Ecoclimatic First Step : Making Frame

D1

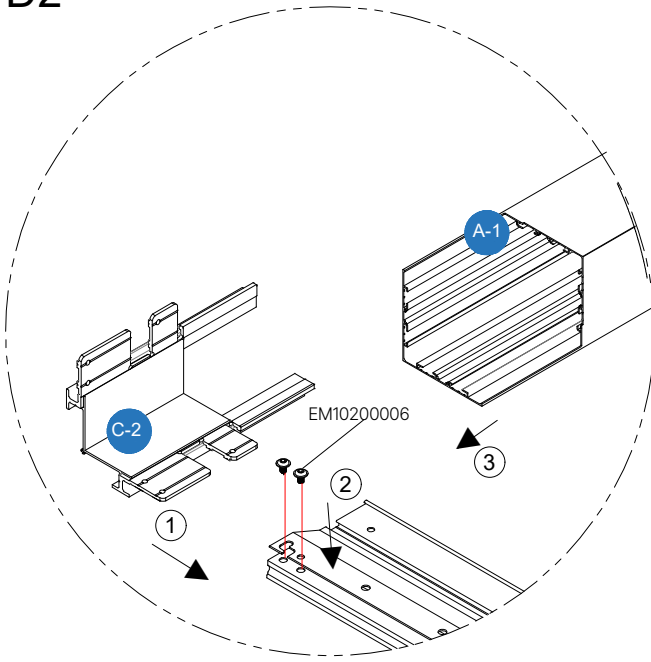


D1

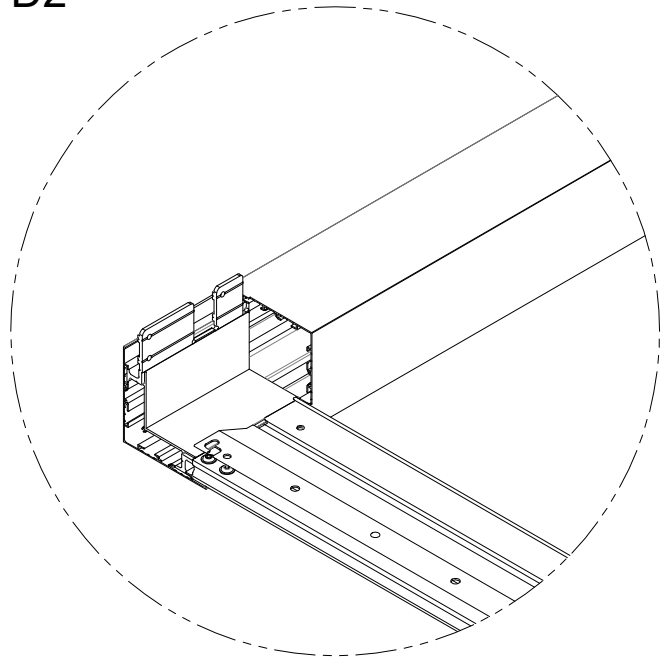


EM07200027 and EM07200028 are screwed together and 2 sets are prepared in this way.

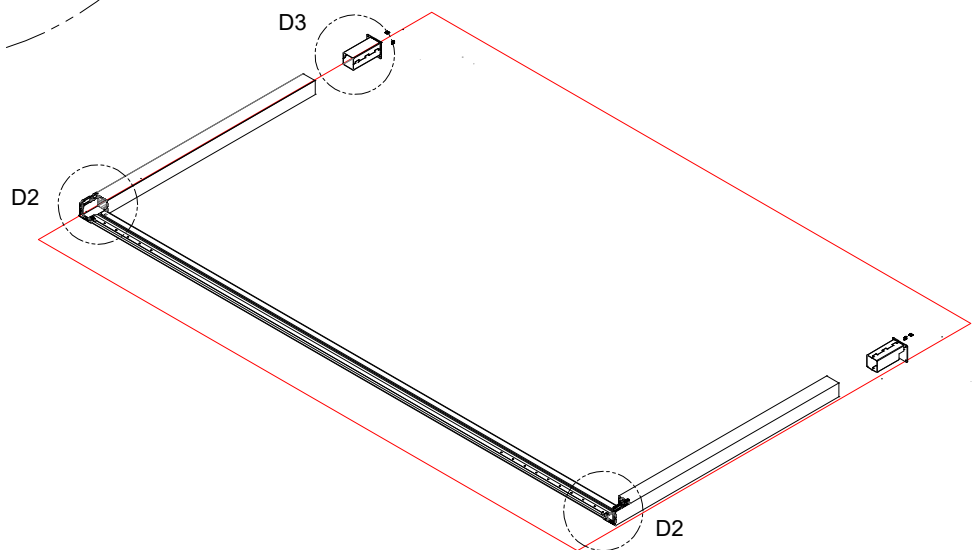
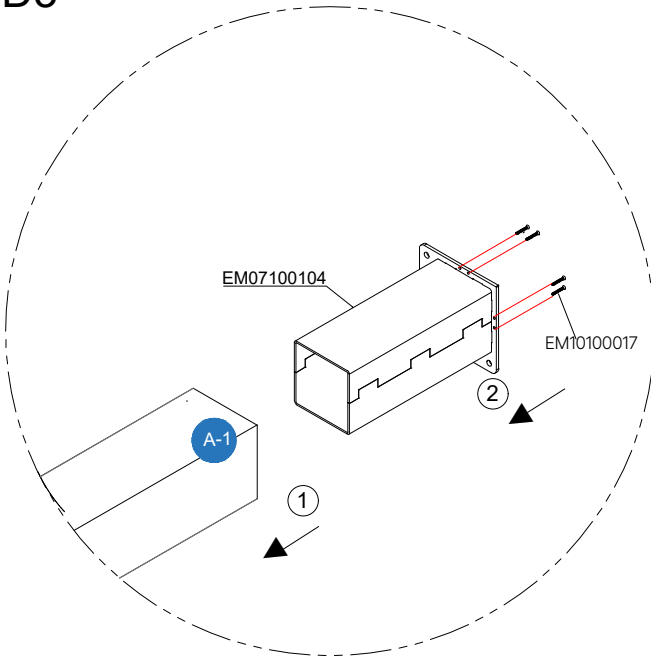
D2



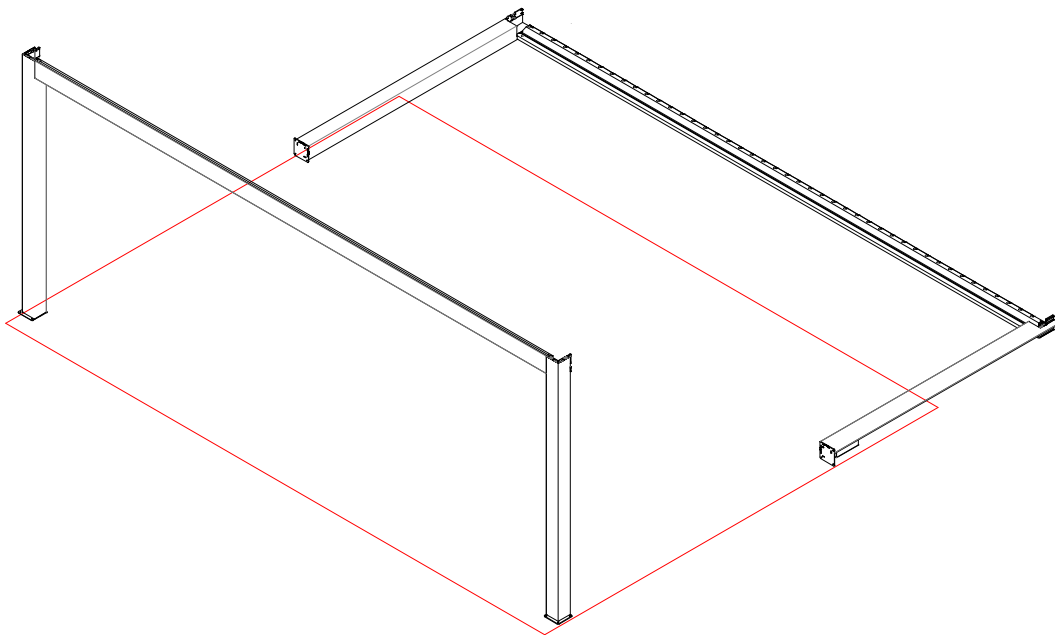
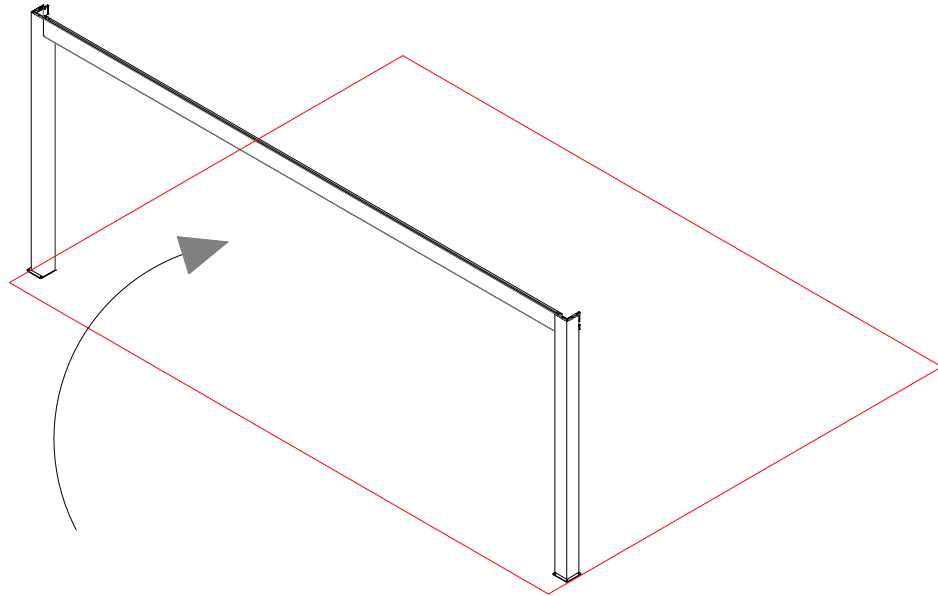
D2



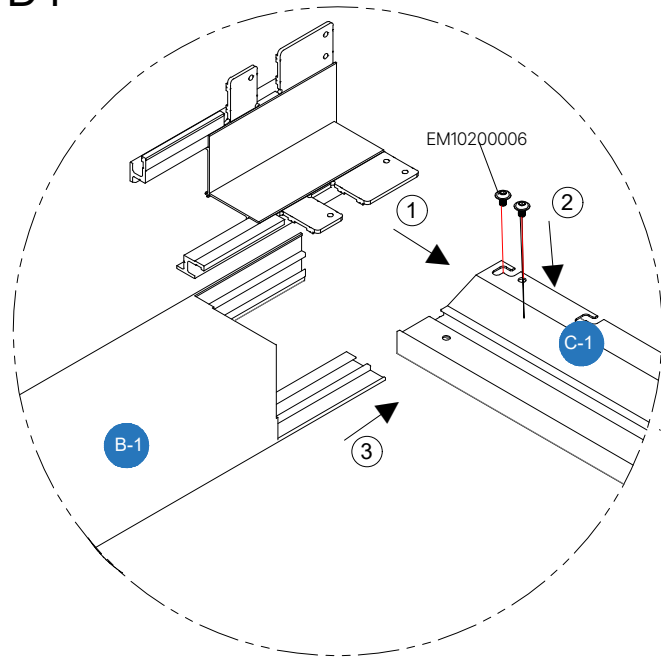
D3



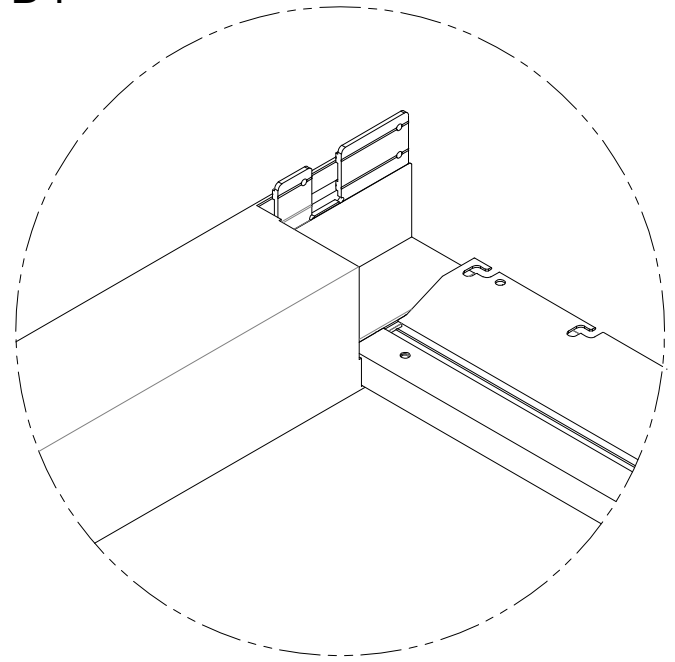
The C2 coded profile with corner connections fixed is inserted into the box pillars (M7137). It is screwed through the screw channels on the C2 profile as shown in the figure. The accessory code EM07100104 is mounted on the A-1 and A-2 pillars.



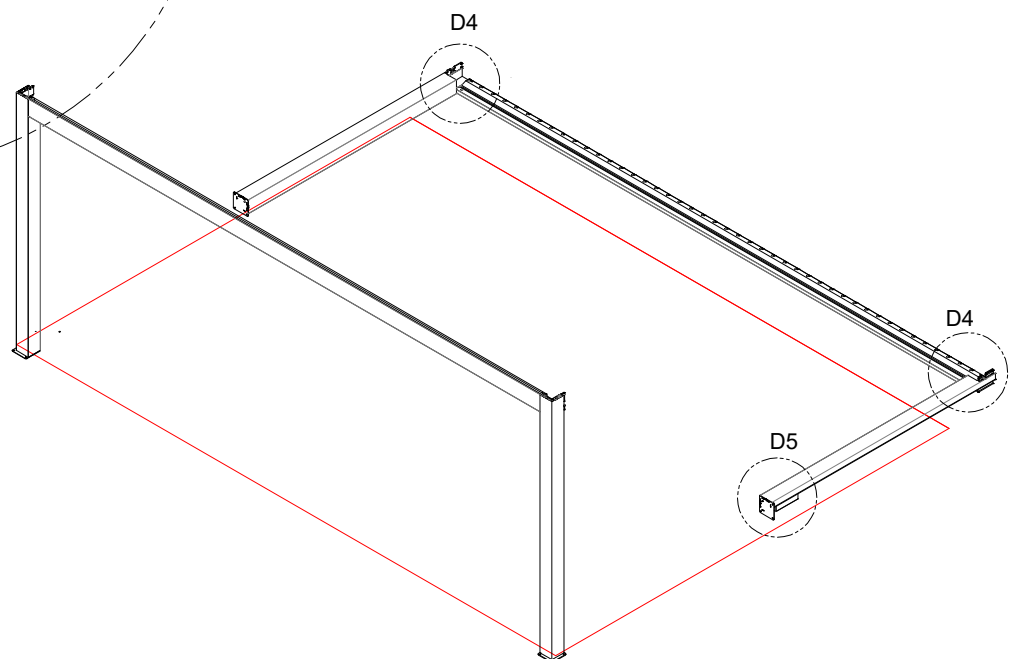
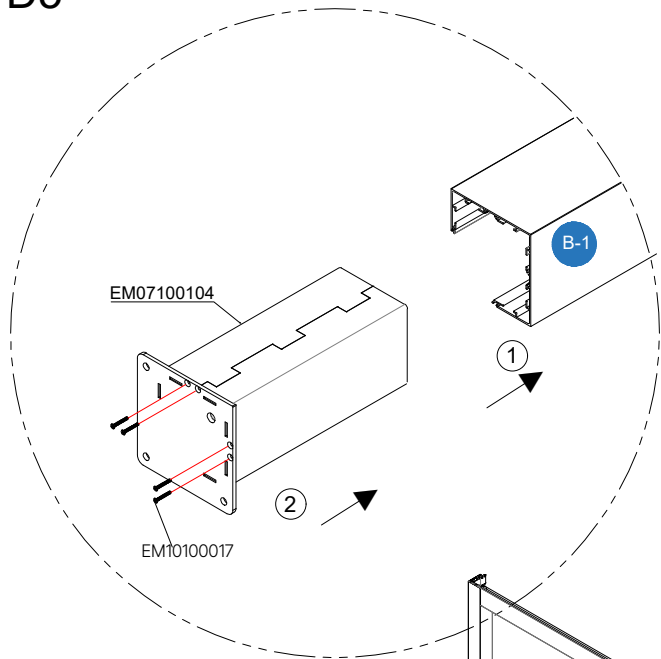
D4



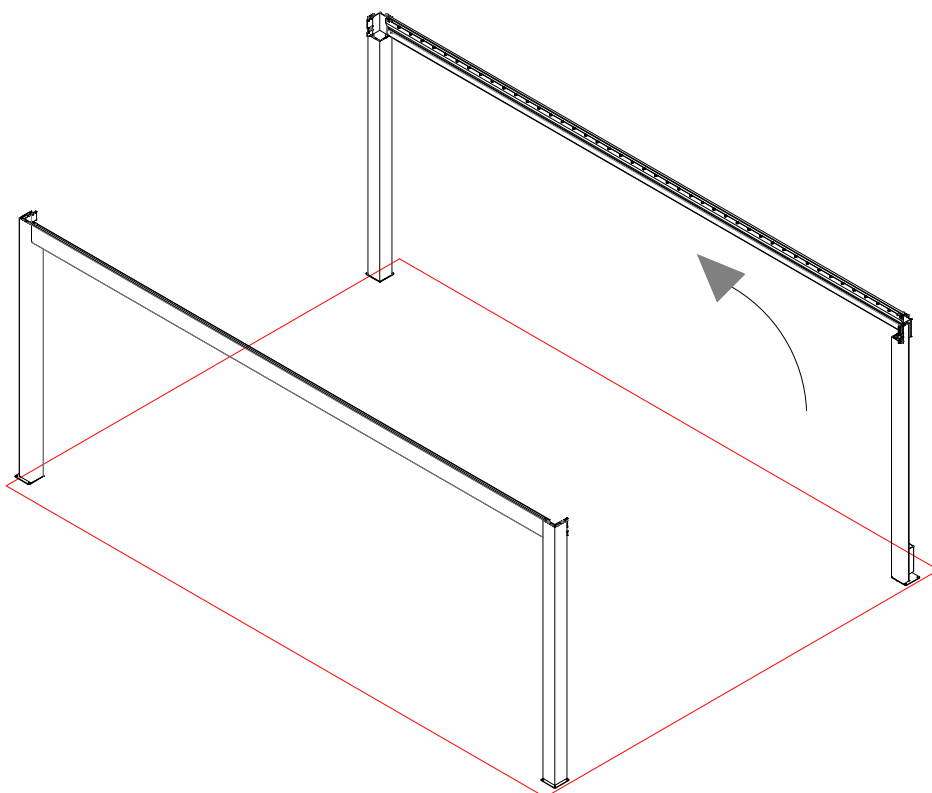
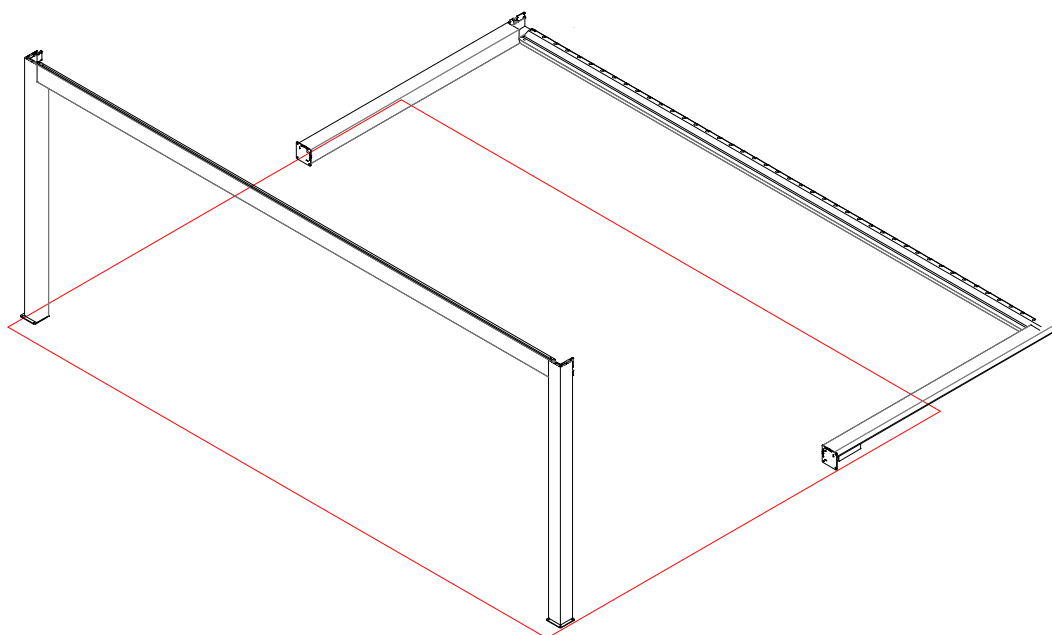
D4



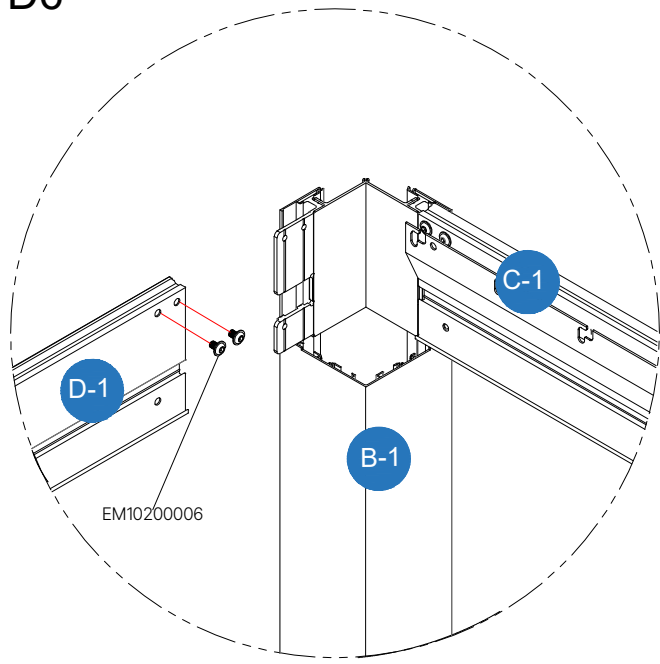
D5



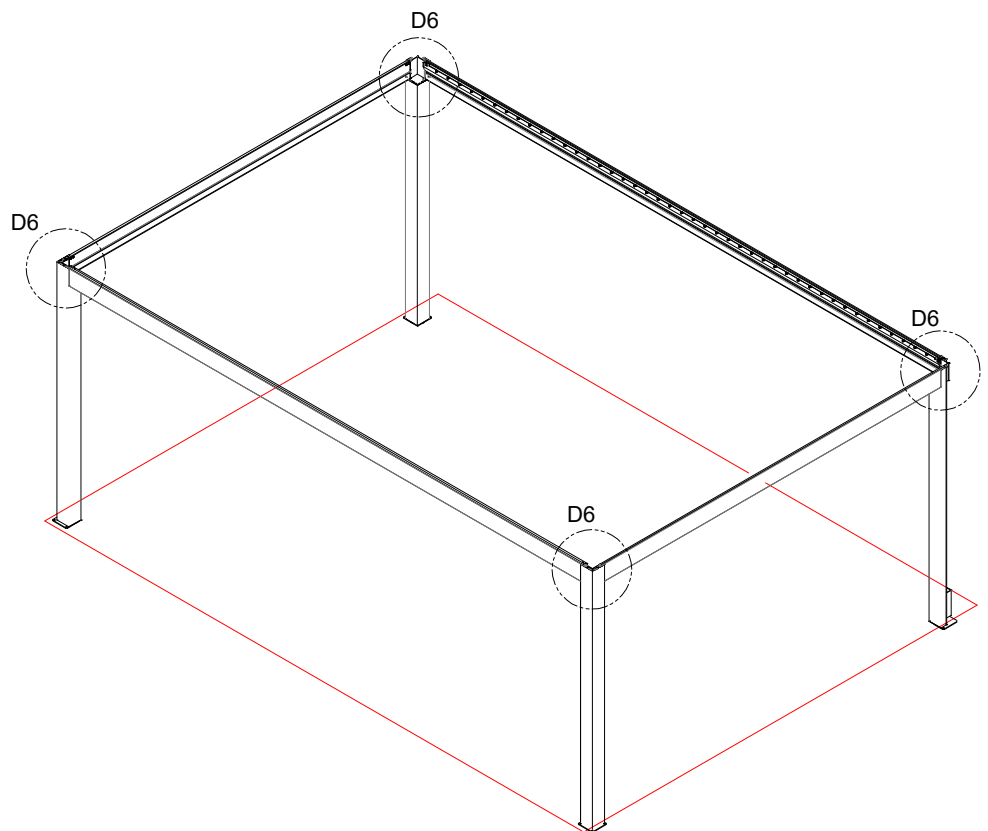
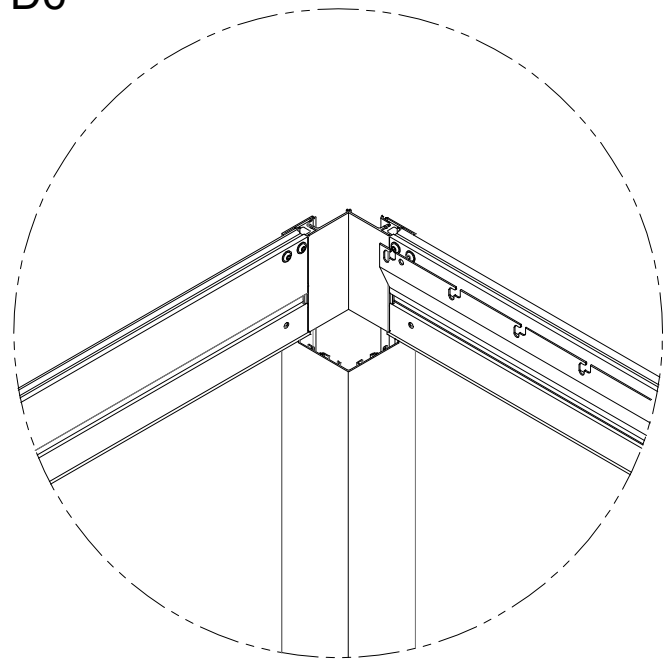
The C1 coded profile with corner connections fixed is inserted into the box pillars (M7137). It is screwed through the screw channels on the C1 profile as shown in the figure. The accessory code EM07100104 is mounted on the B-1 and B-2 pillars.



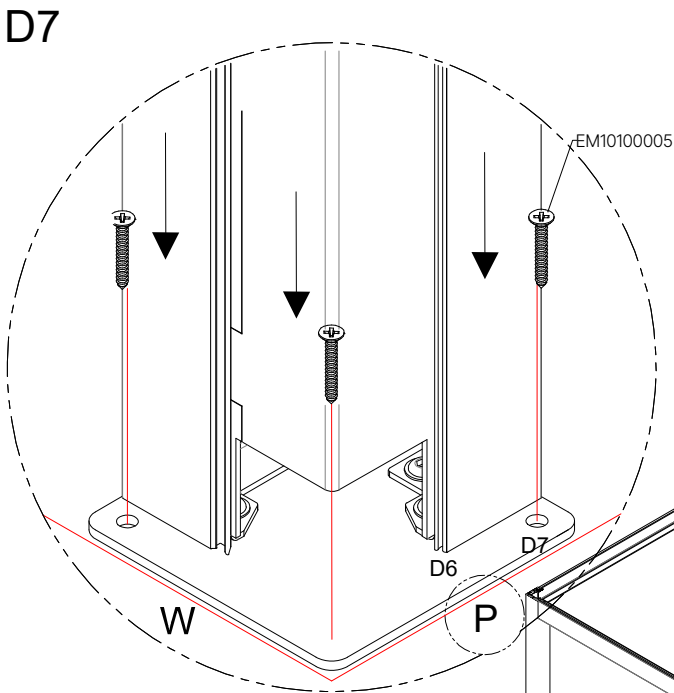
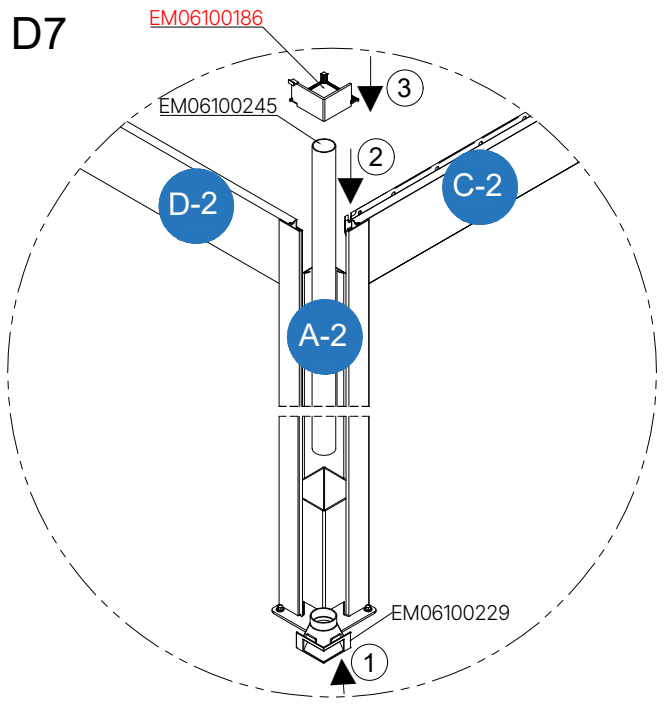
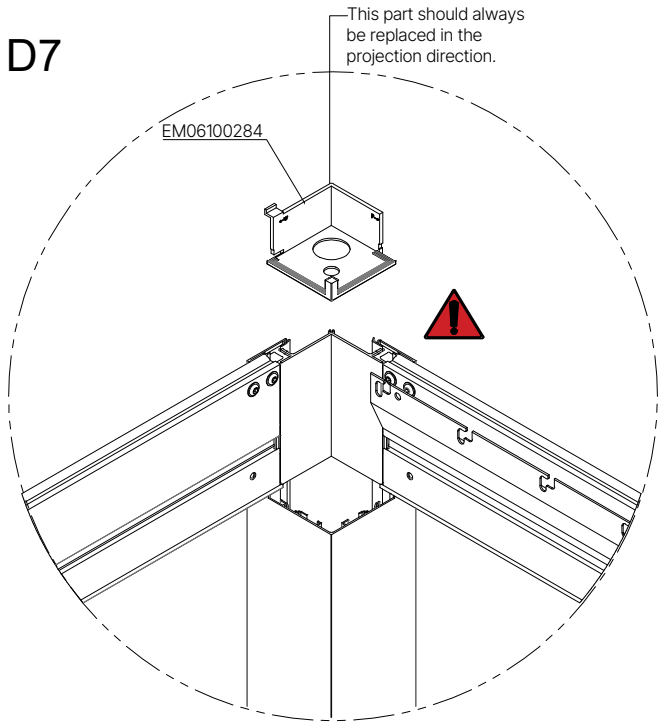
D6



D6

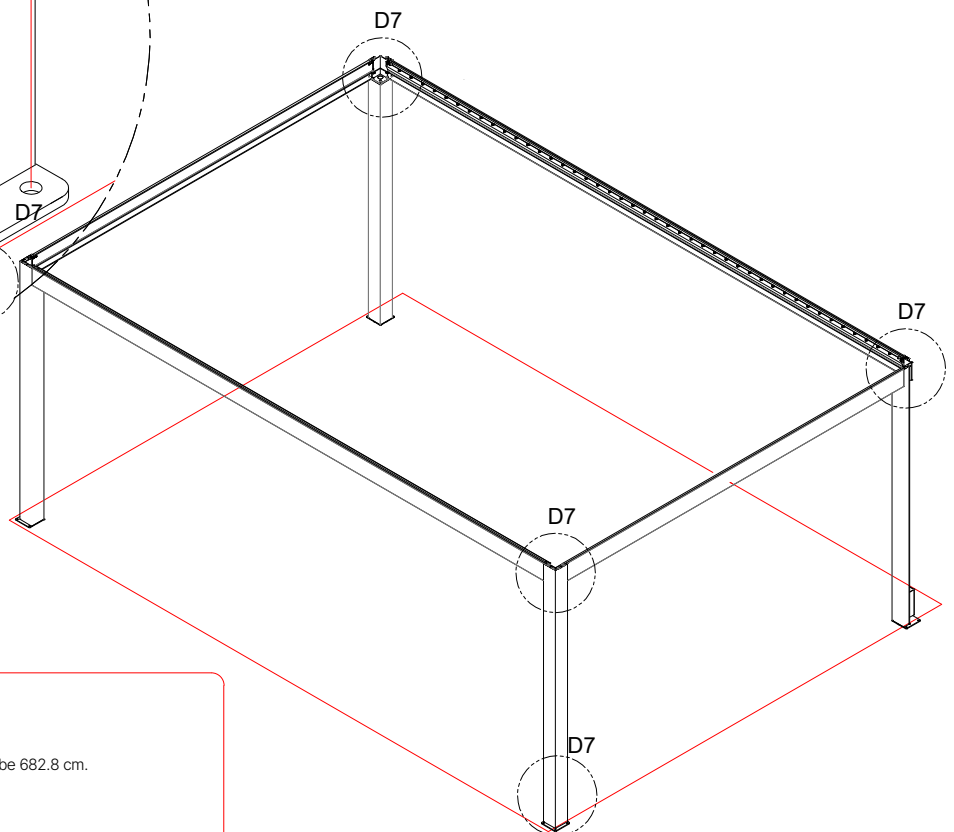


D1 coded profile is inserted to the corner connections as shown in the figure. It is fixed with corner connections by inserting screws with code EM10200006 from the screw channels on the right and left of the profile.



Attention

Apply the cable detail only to the accessory on the motor side. Watch the video titled "Step 5" for a detailed view.

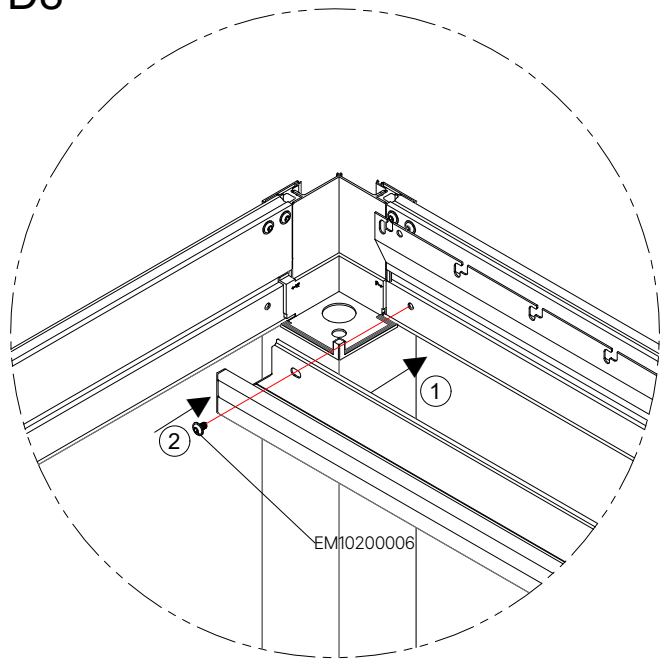


Warning Diagonal size should be checked.

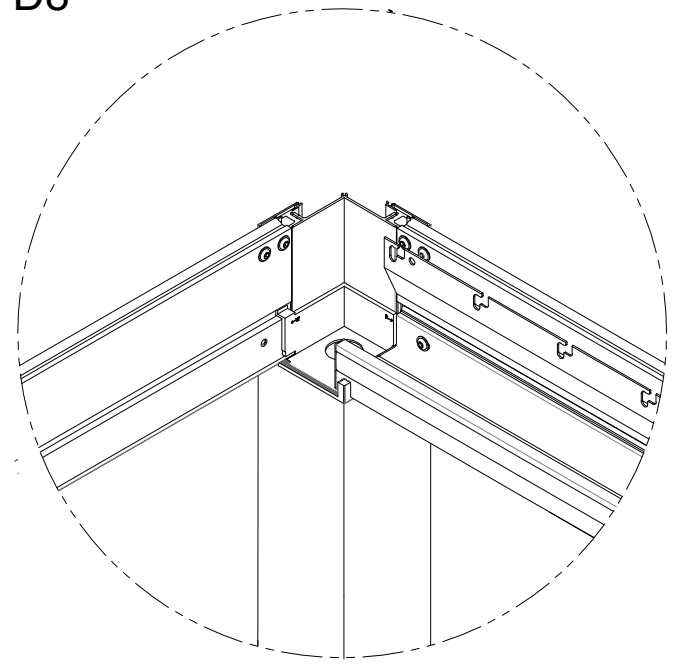
If your system is 4x6 meters, then the diagonal measurement should be 682.8 cm.

As shown in the figure, the diagonal dimensions of the system are checked. If the measurement is not correct, it is brought to the required size and the system is fixed by using ground screws. Water drain plugs are attached to the pillars on the front of the system. The pipe is passed from above and attached to the plugs. Rubbers are attached to the four corners. The rubbers on the part where the pipe is located (the two rubbers on the front face of the system) should be cut with a carpet knife from the circular area.

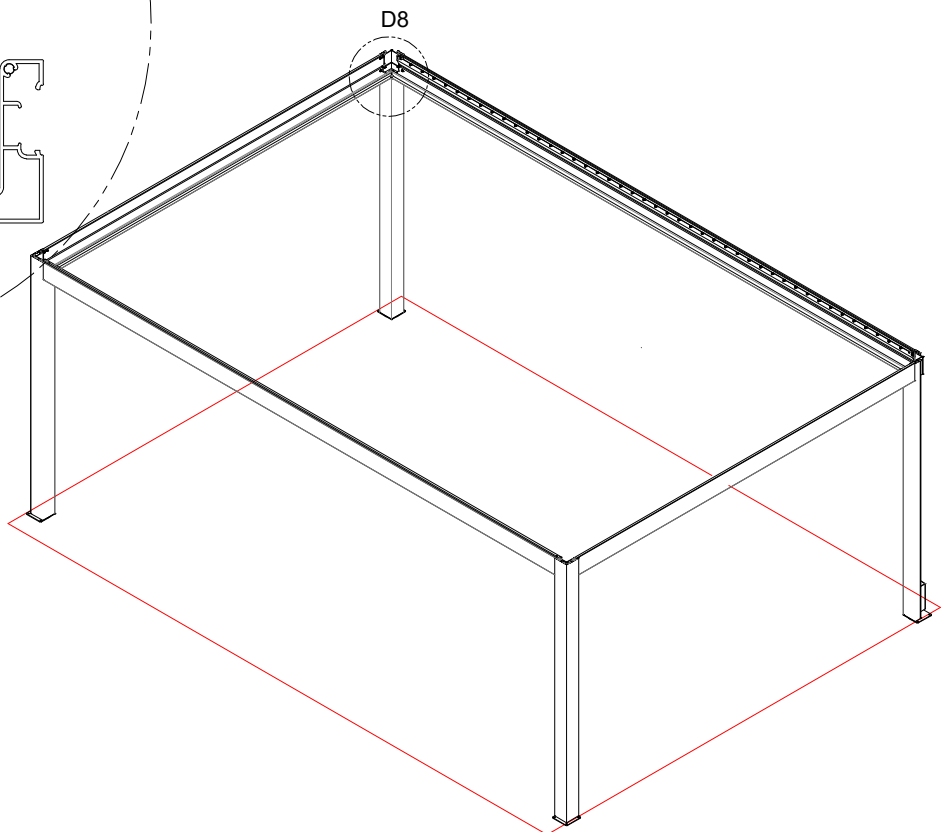
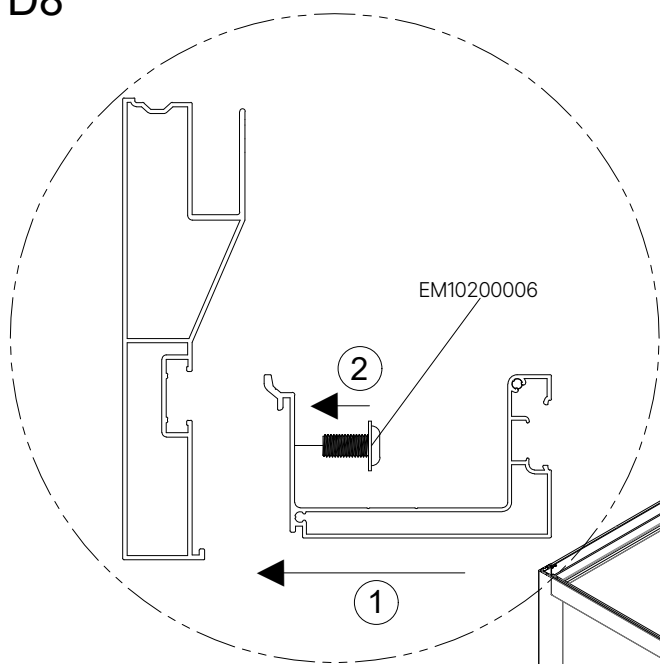
D8



D8

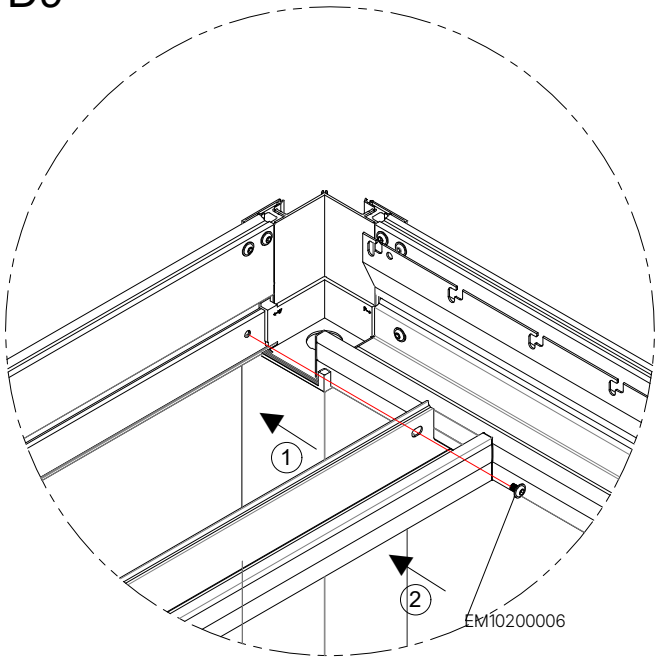


D8

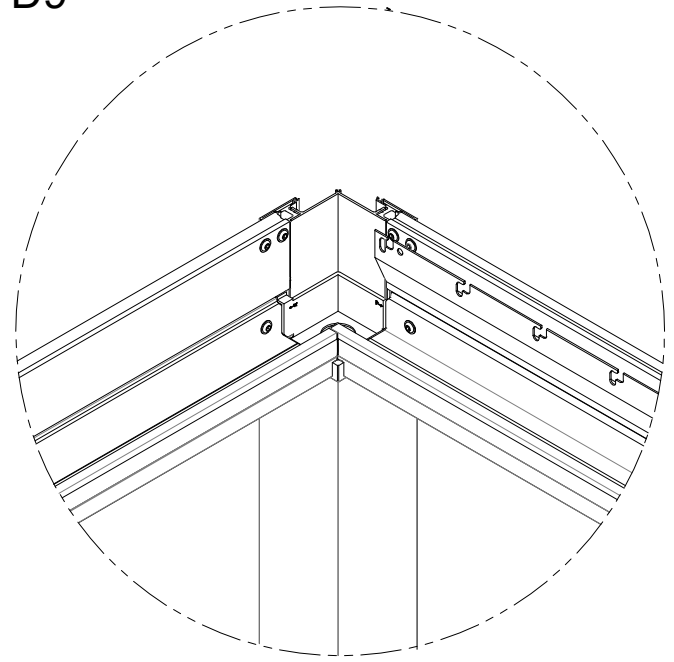


All gutters are fixed by screwing them from above with the screw code EM10200006 from each corner as shown in the figure.

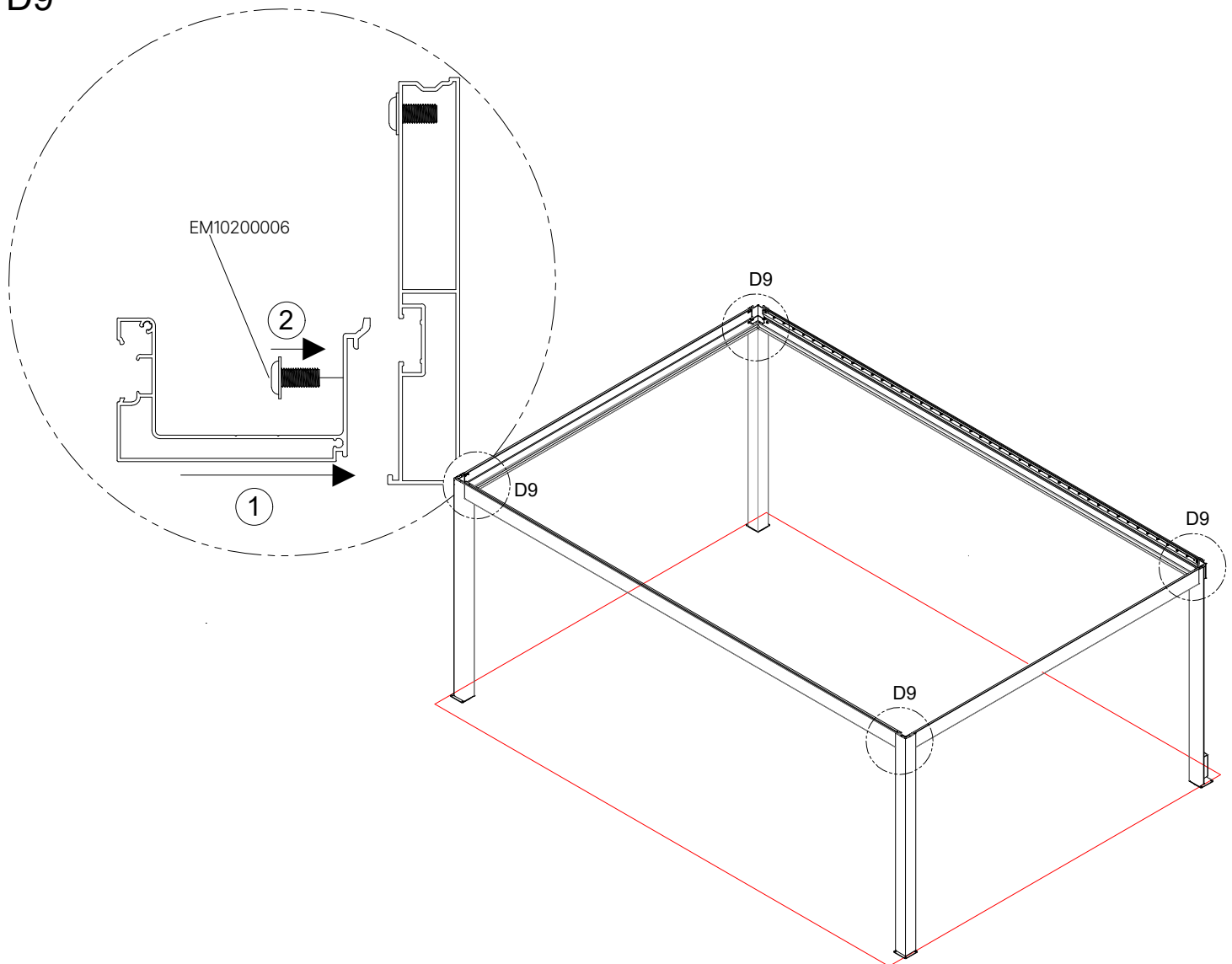
D9



D9

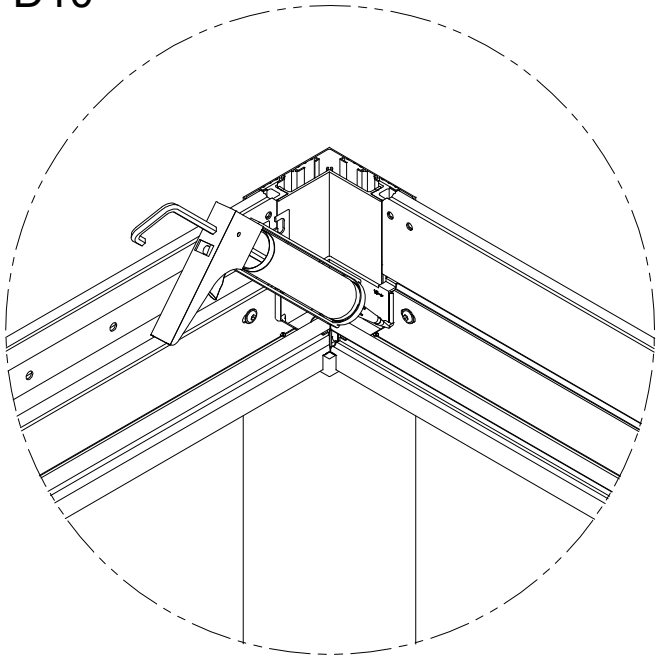


D9

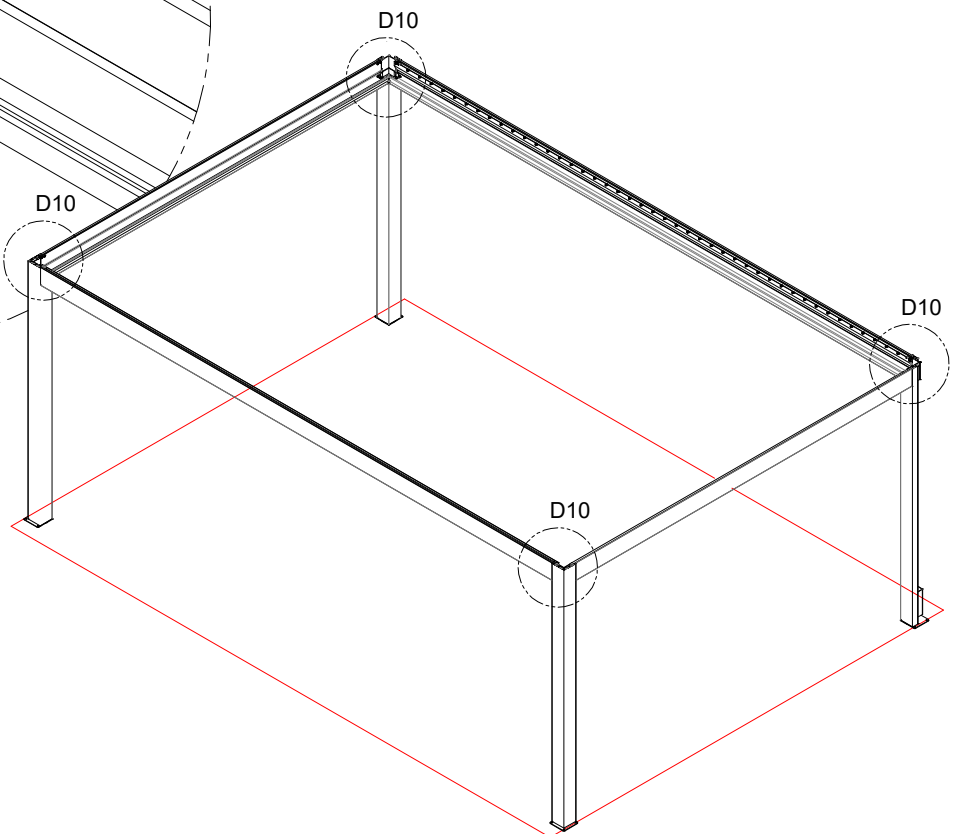
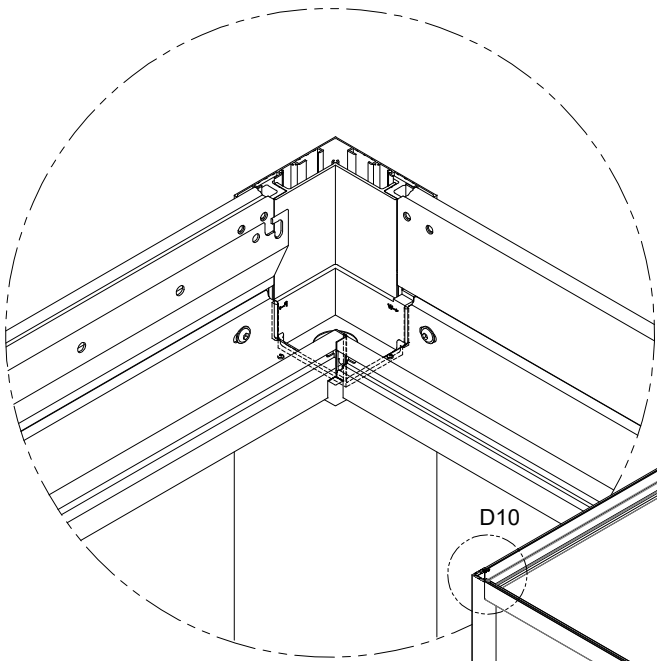
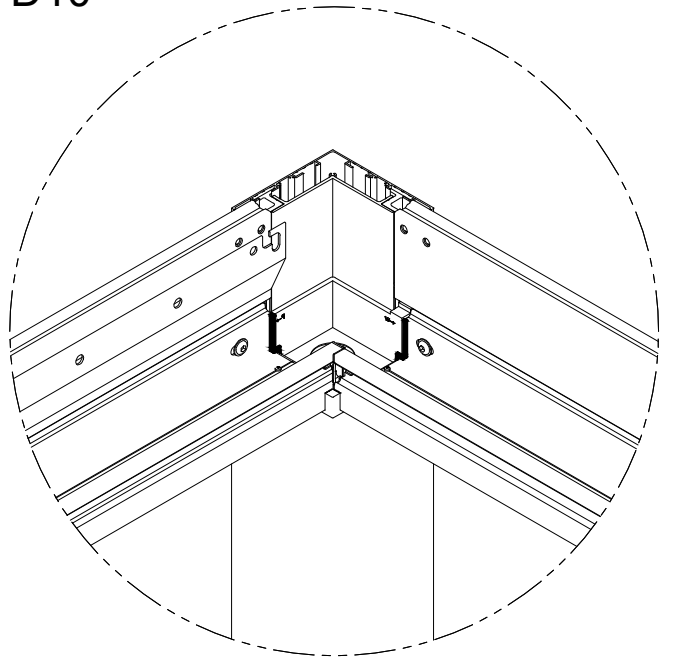


All gutters are fixed by screwing them from above with the screw code EM10200006 from each corner as shown in the figure.

D10

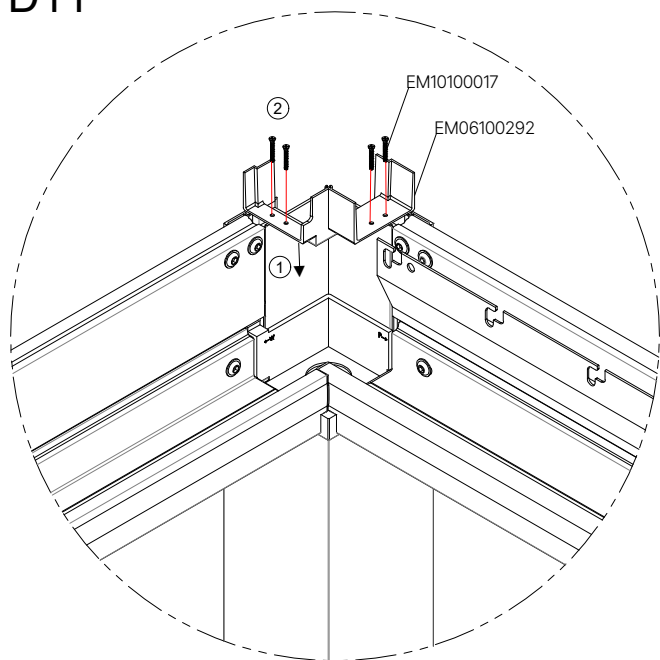


D10

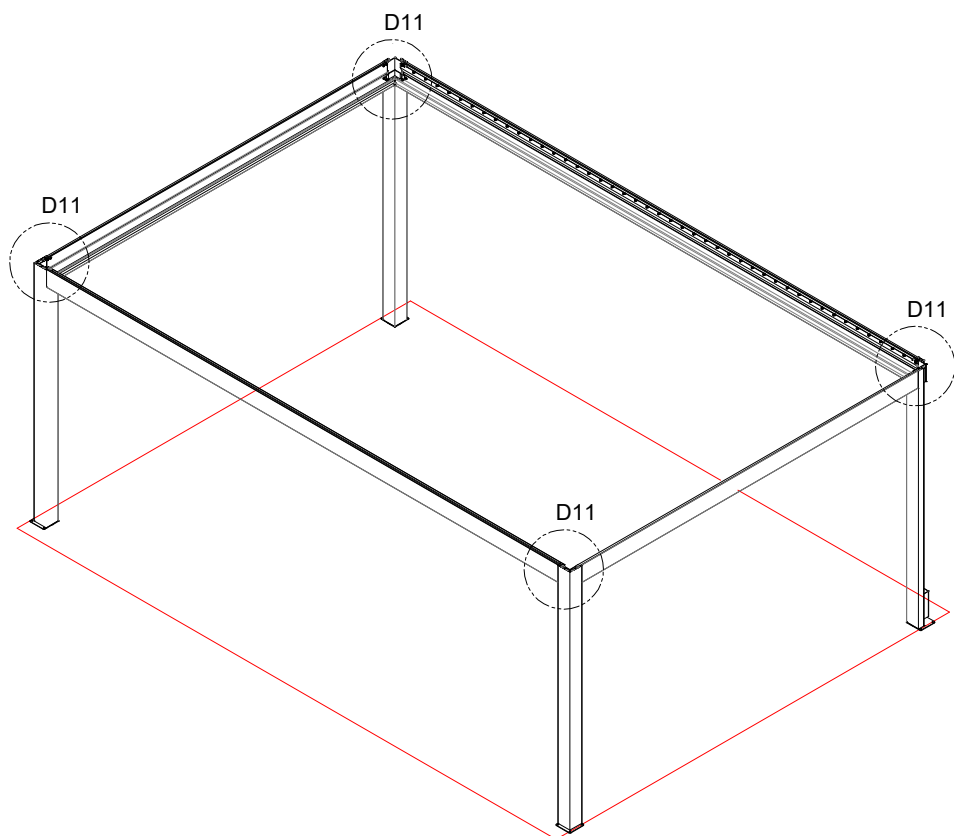
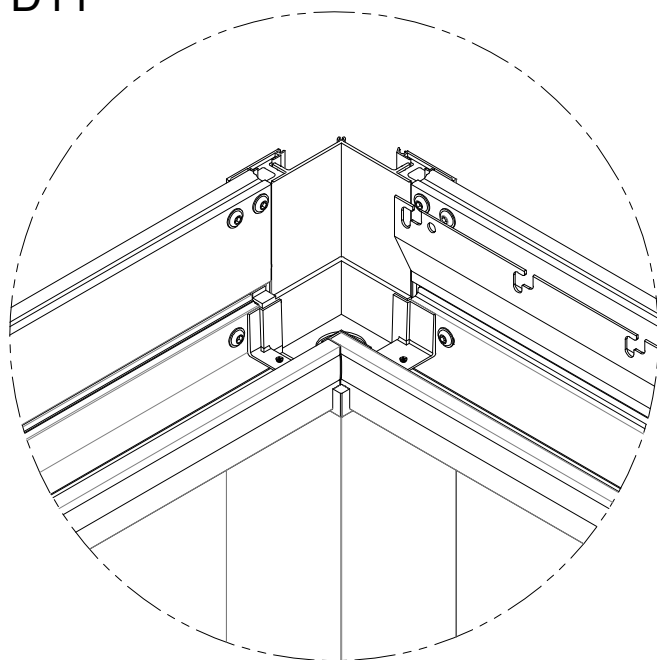


Silicone should be applied to the junction of the rubbers (EM06100186) on the 4 corners, as shown in the figure.

D11

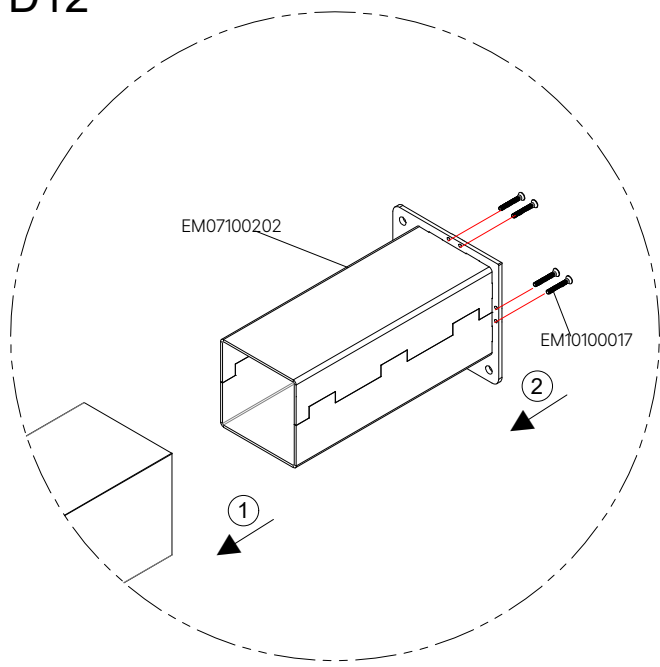


D11

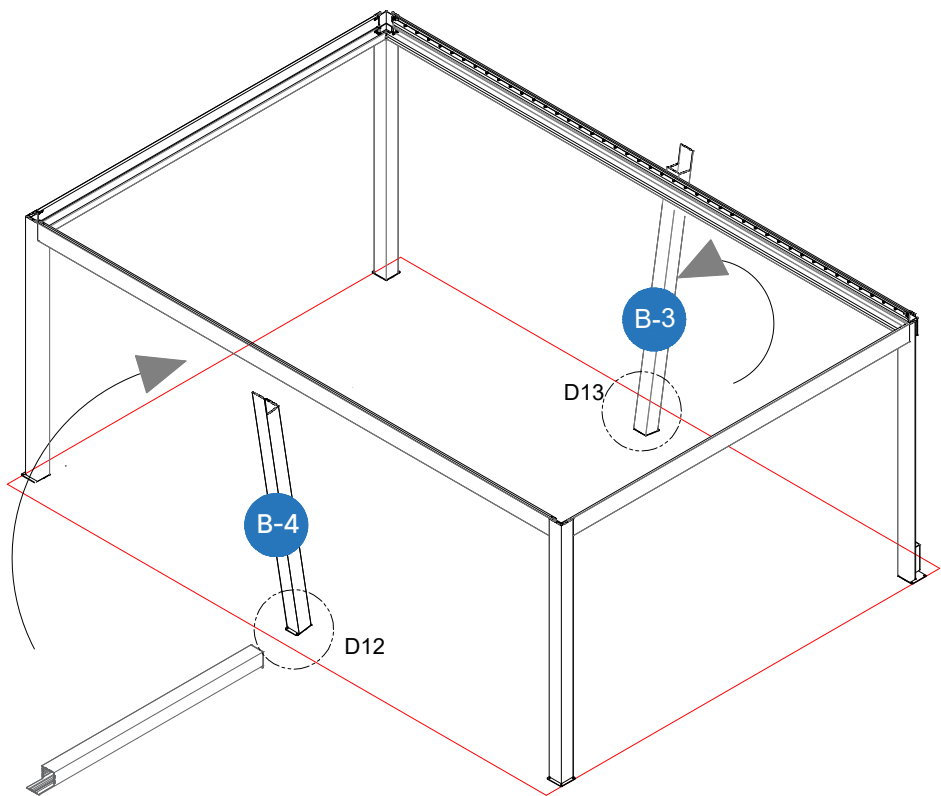
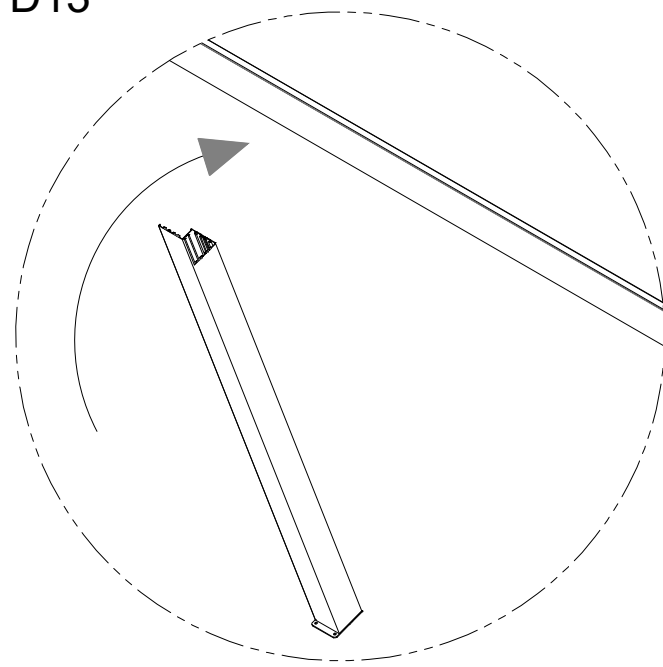


All gutters are fixed by screwing them from above with the screw code EM10100017 from each corner as shown in the figure.

D12

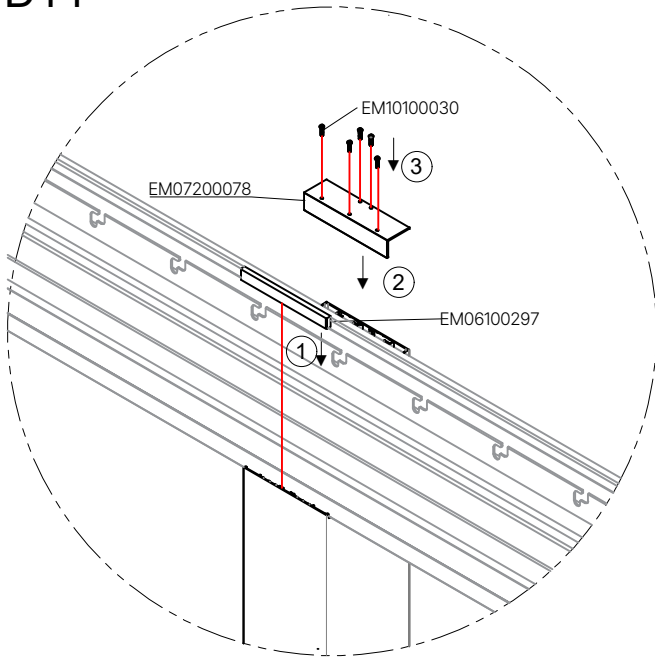


D13

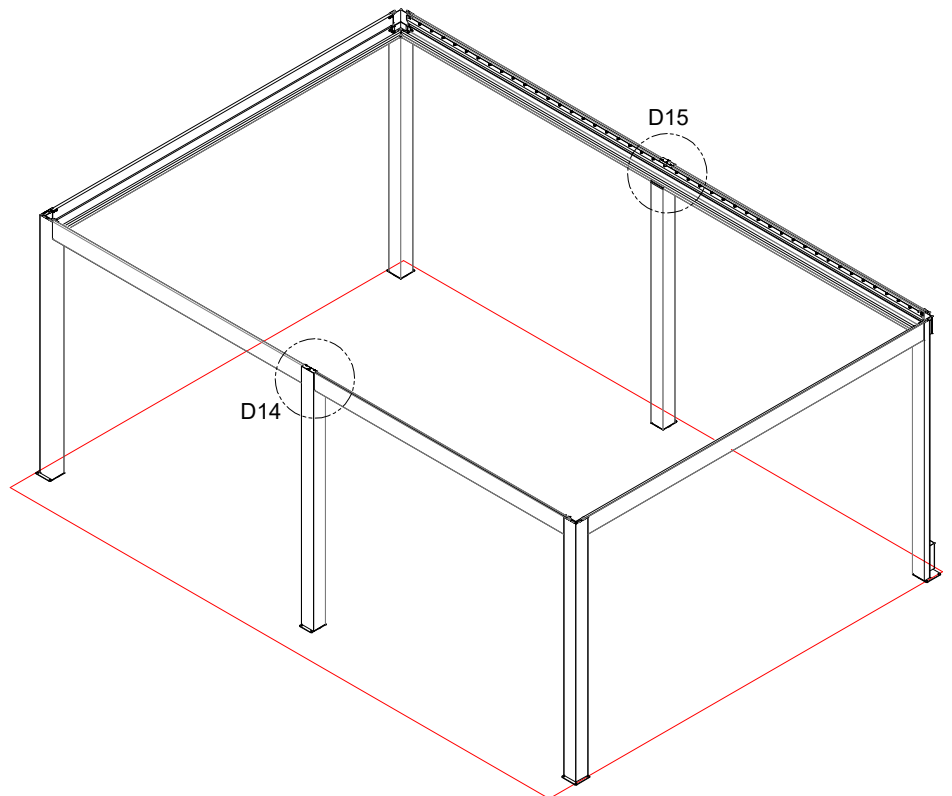
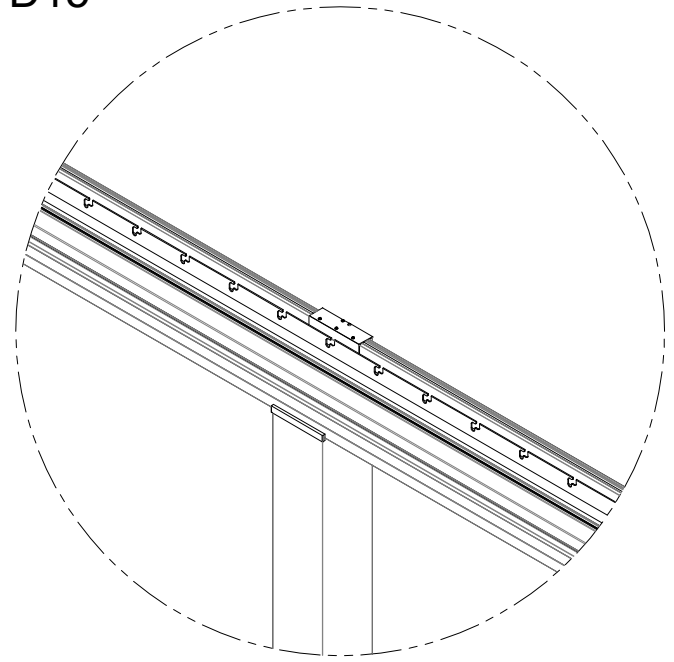


The accessory code EM07100202 is mounted on the pillars. The C2 coded profile, which is shaped like a U on the ground, is lifted as shown in the figure.

D14



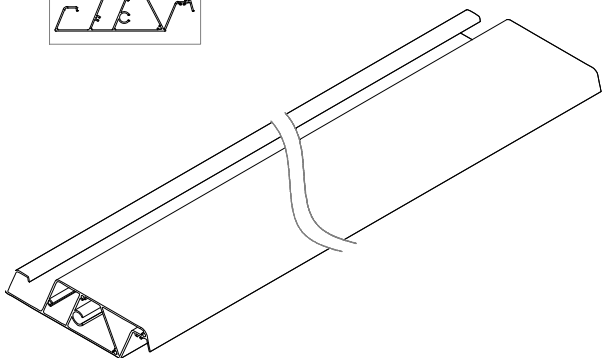
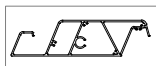
D15



The central pillar sheet coded EM07200078 is placed at the center pillar position of the system. It is fixed with screws coded EM10100030. The accessory coded EM06100297 is also placed on top of the central pillar post.

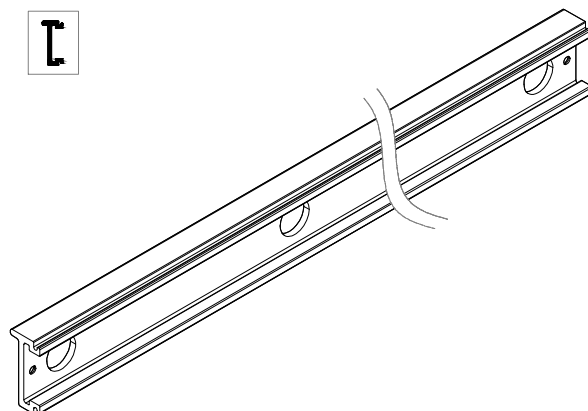
Ecoclimatic Profiles For Second Step

M7400



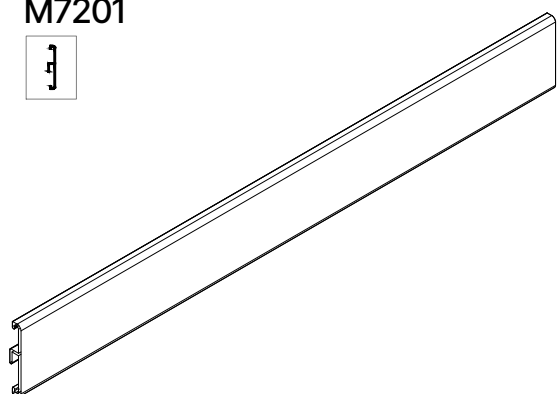
For 4x6 meters systems : 45 pcs

M7031



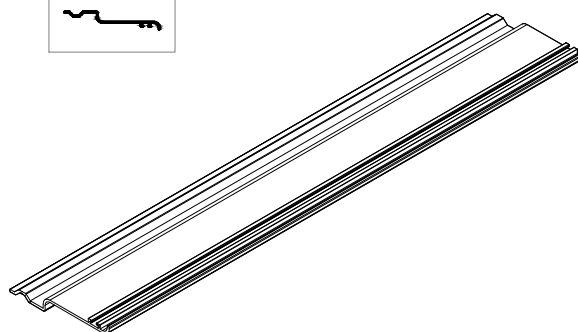
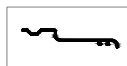
For 4x6 meters systems : 2 pcs

M7201



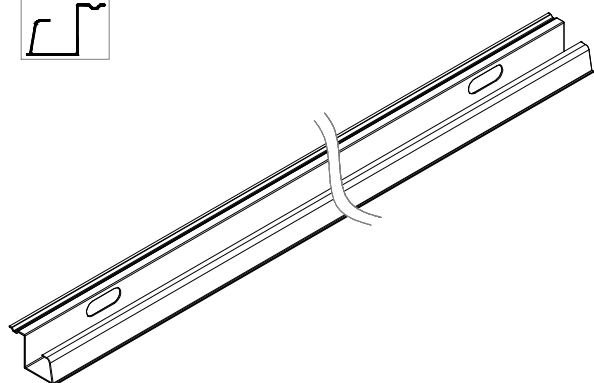
For 4x6 meters systems : 2 pcs

M7029



For 4x6 meters systems : 2 pcs

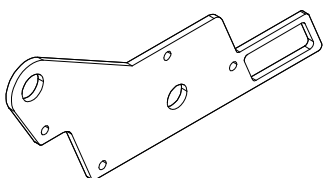
M7030



For 4x6 meters systems : 2 pcs

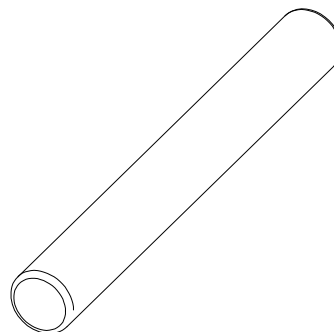
Ecoclimatic Accessories For Second Step

EM07100191



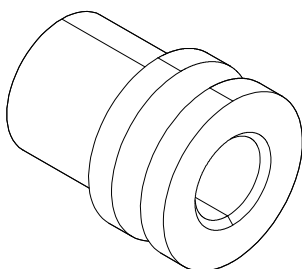
For 4x6 meters systems : 89 pcs

EM07300164



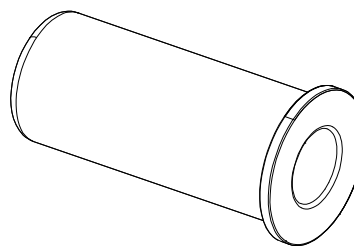
For 4x6 meters systems : 90 pcs

EM06100202



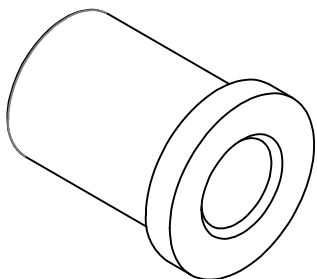
For 4x6 meters systems : 45 pcs

EM06100203



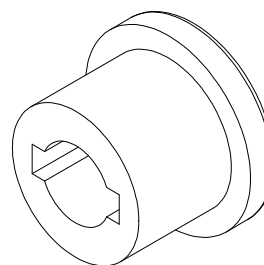
For 4x6 meters systems : 90 pcs

EM06100228
motor side



For 4x6 meters systems : 45 pcs

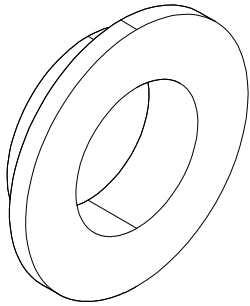
EM06100208



For 4x6 meters systems : 90 pcs

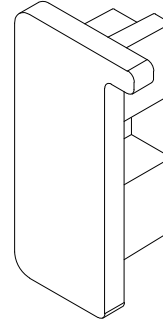
Ecoclimatic Accessories For Second Step

EM06100184



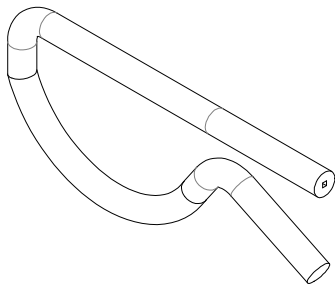
For 4x6 meters systems : 90 pcs

EM06100279 - (Black)
EM06100278 - (White)



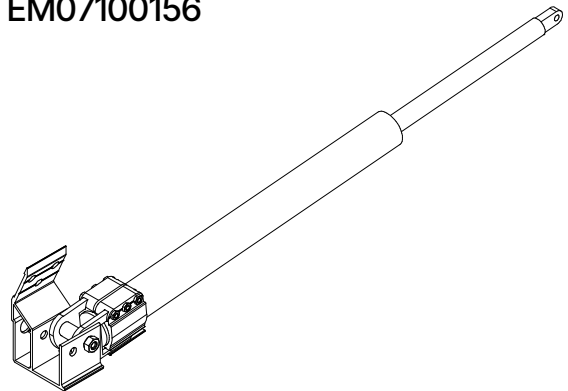
For 4x6 meters systems : 4 pcs

EM07400027



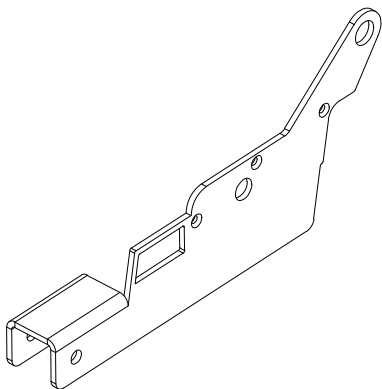
For 4x6 meters systems : 90 pcs

EM07100156



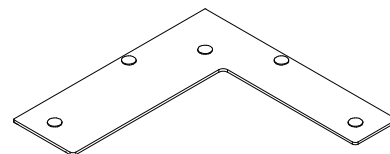
For 4x6 meters systems : 1 pcs

EM07100183



For 4x6 meters systems : 1 pcs

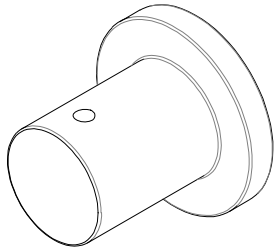
EM07100105



For 4x6 meters systems : 4 pcs

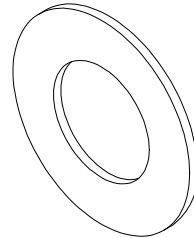
Ecoclimatic Accessories For Second Step

EM06100302



For 4x6 meters systems : 90 pcs

EM10400005

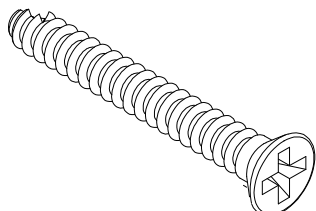


For 4x6 meters systems : 90 pcs

Ecoclimatic Accessories For Second Step

EM10100006

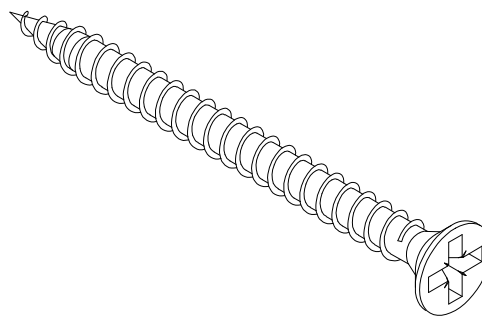
3,9x12mm Screw



For 4x6 meters systems : 4 pcs

EM10100007

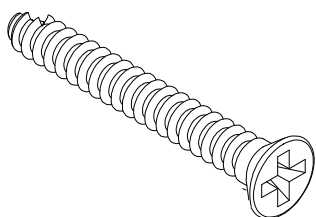
3,9x30mm Screw



For 4x6 meters systems : 360 pcs

EM10100030

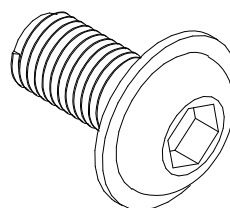
3,9x25mm Screw



For 4x6 meters systems : 46 pcs

EM10200030

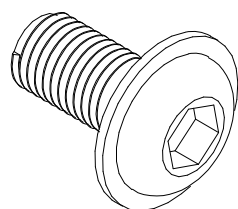
M6X35 Bolt



For 4x6 meters systems : 1 pcs

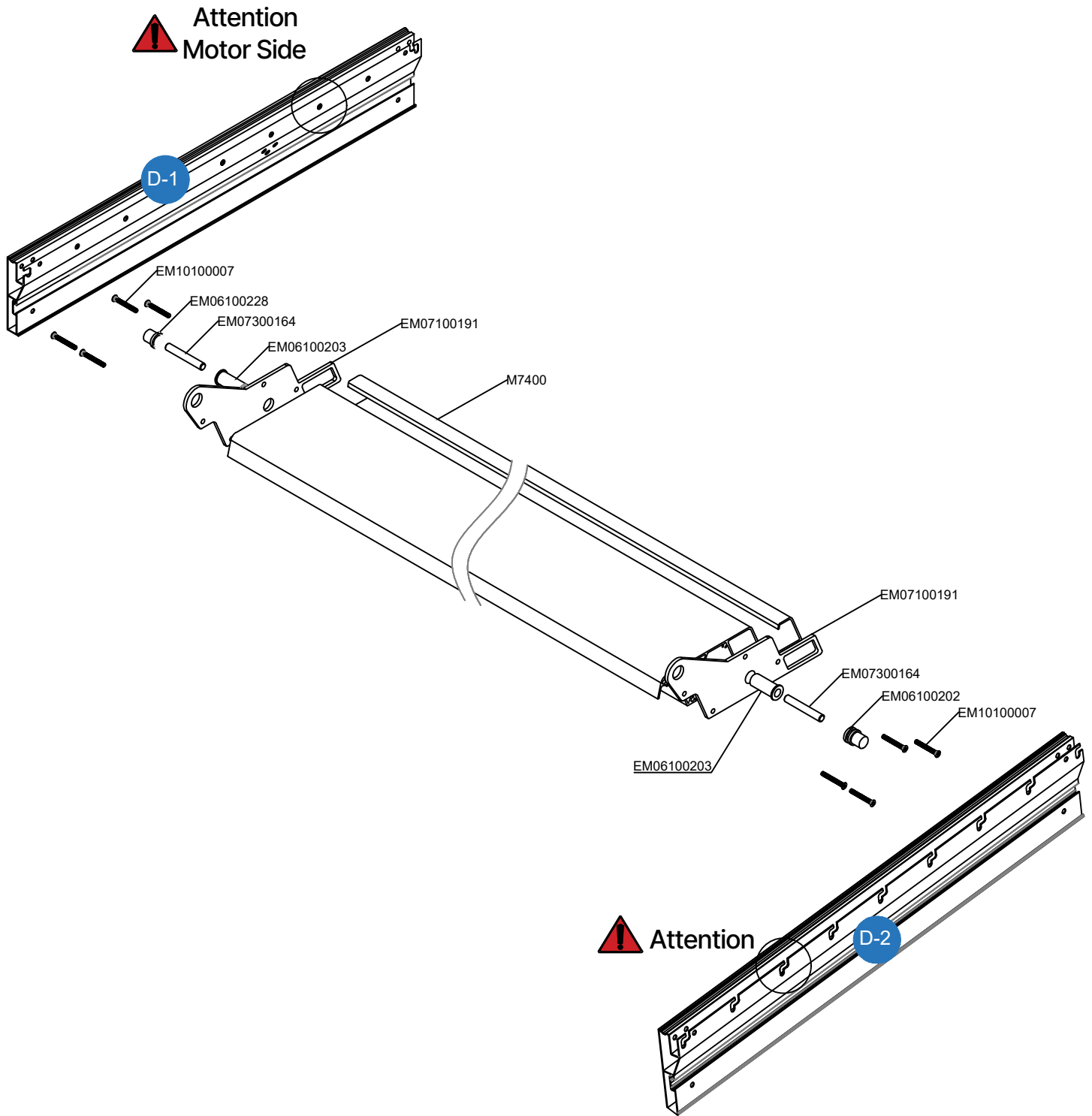
EM10200006

M8X12 Bolt

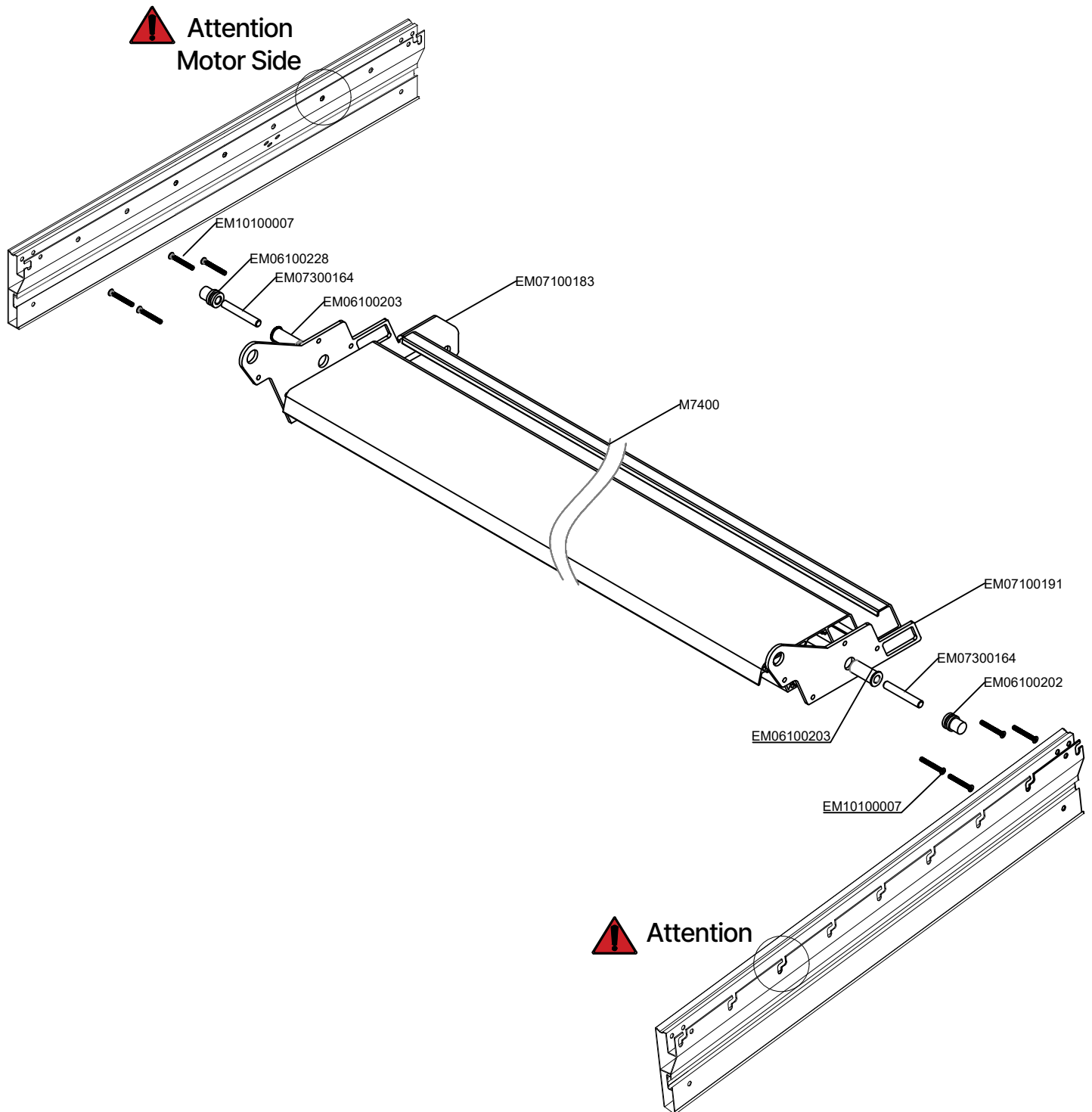


For 4x6 meters systems : 3 pcs

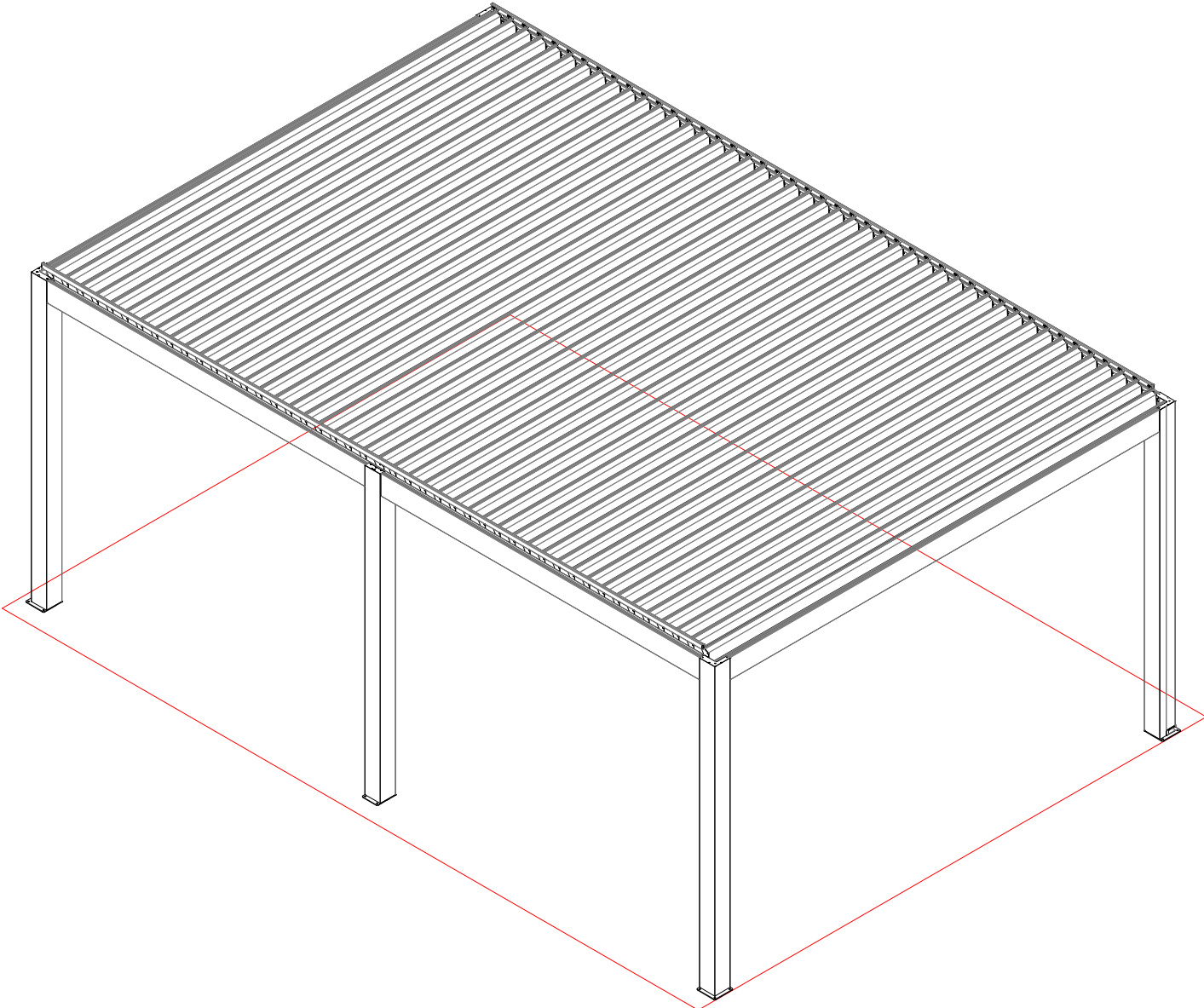
Ecoclimatic Second Step : Preparing Blades



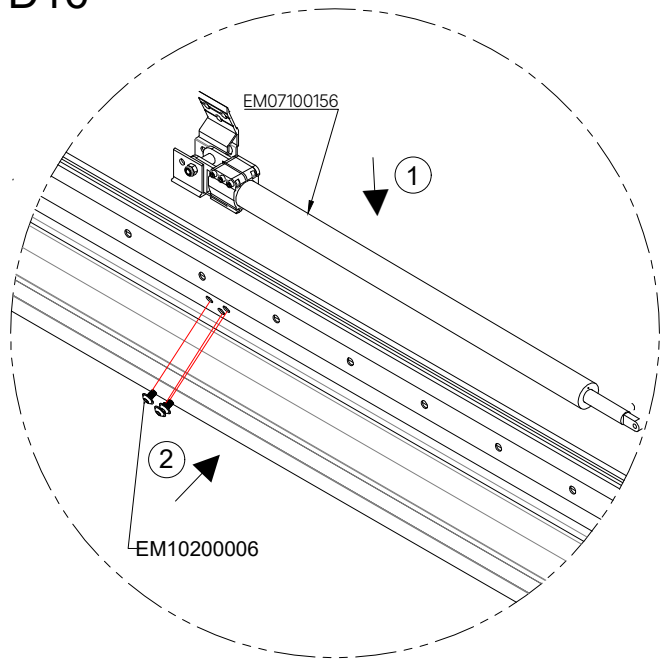
Ecoclimatic Second Step : Preparing Motor Blade



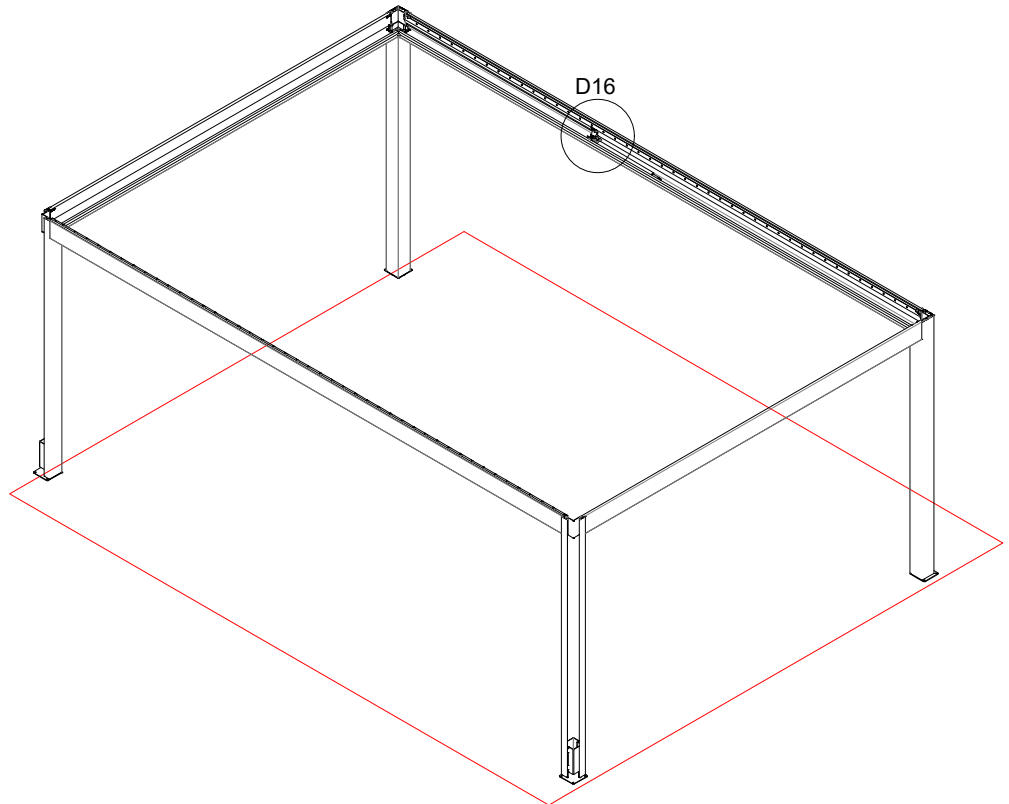
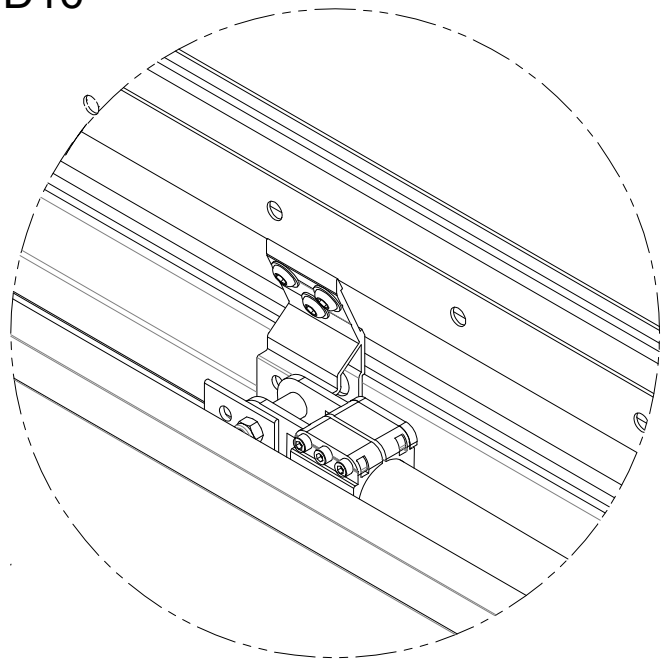
Ecoclimatic Second Step : Mounting Roof



D16

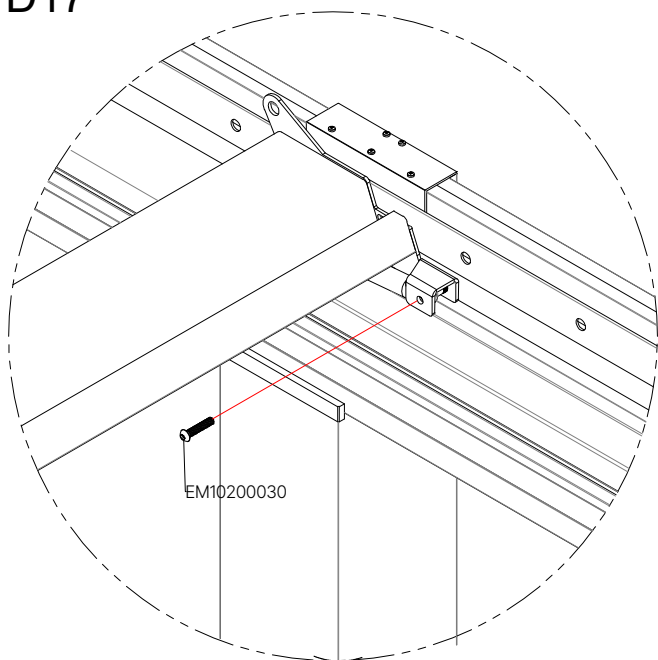


D16

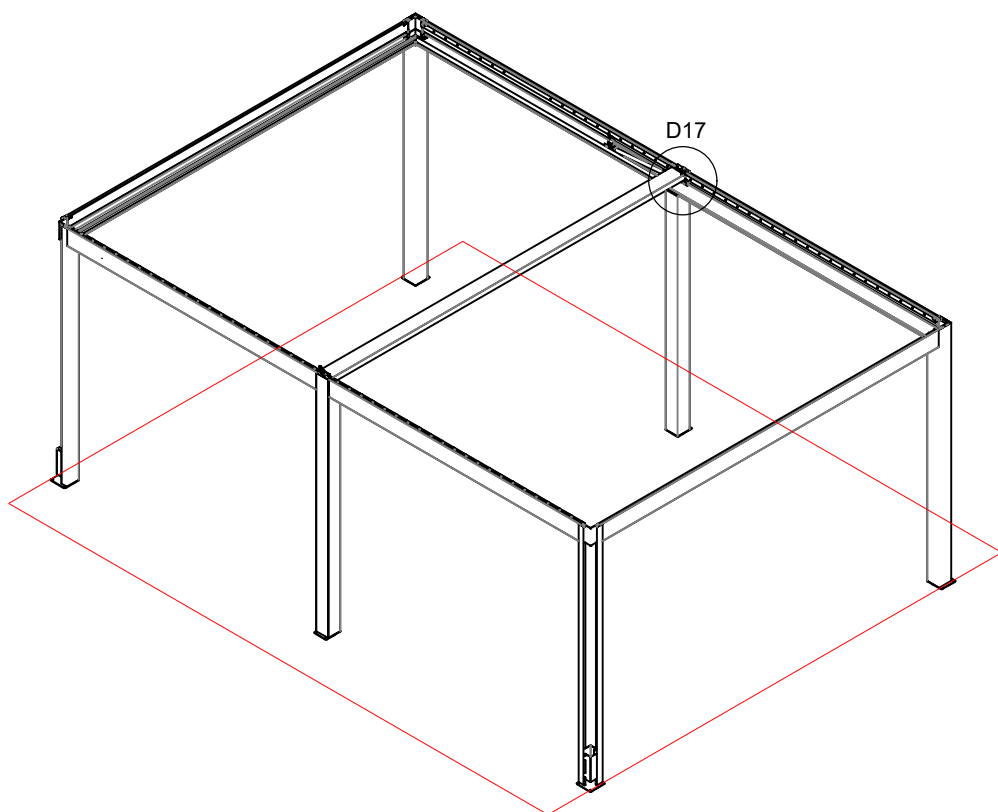
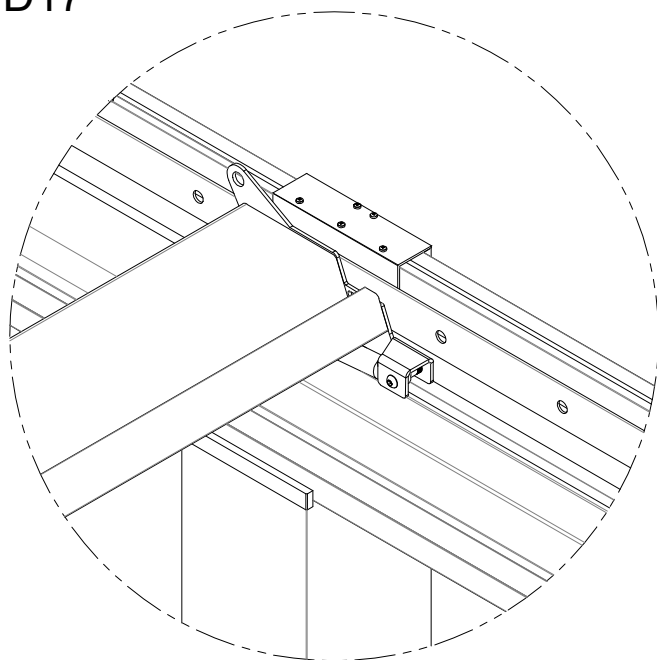


The EM07100156 coded motor is placed and screwed into the 3 holes drilled on the D1 coded profile.

D17

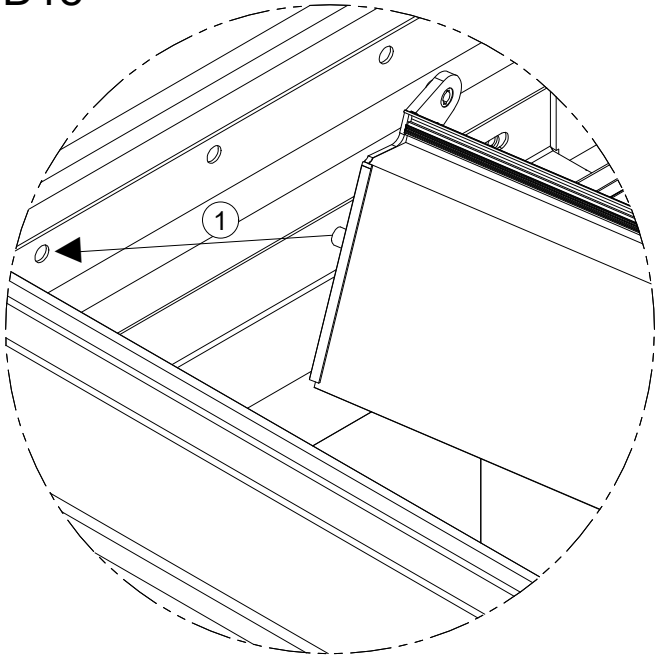


D17

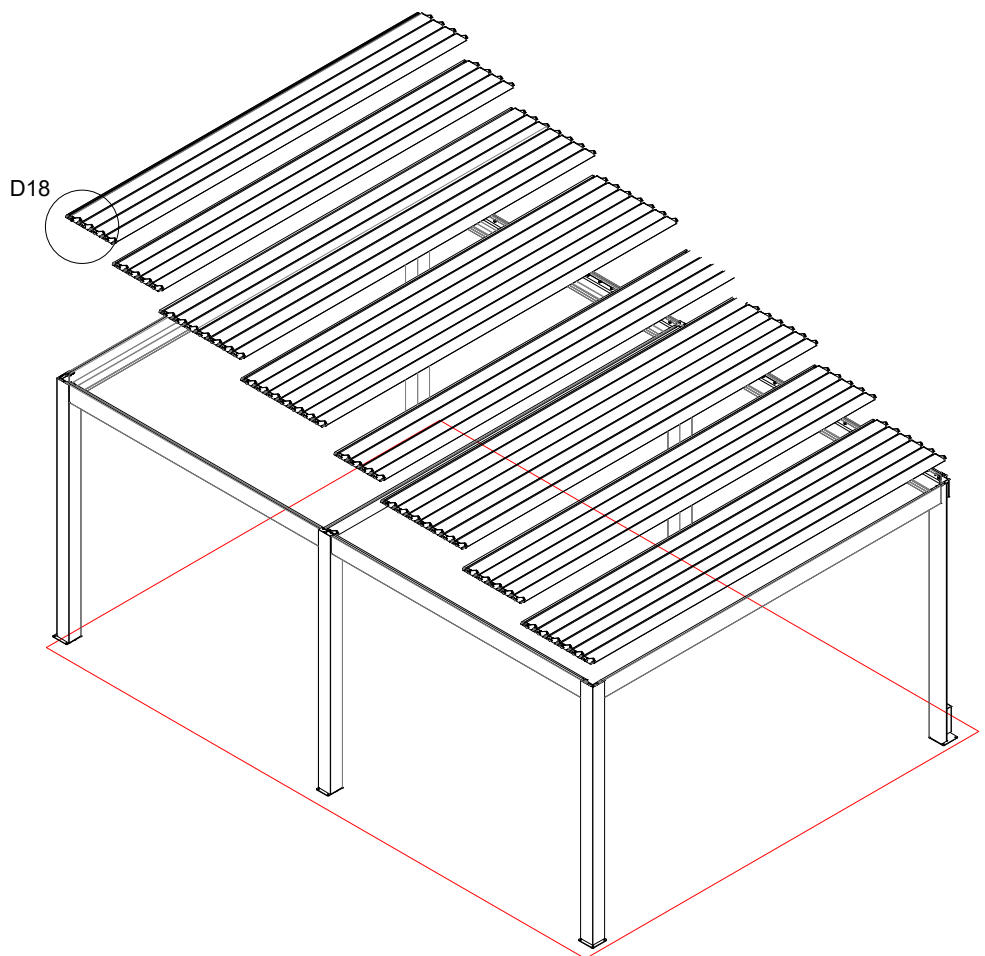
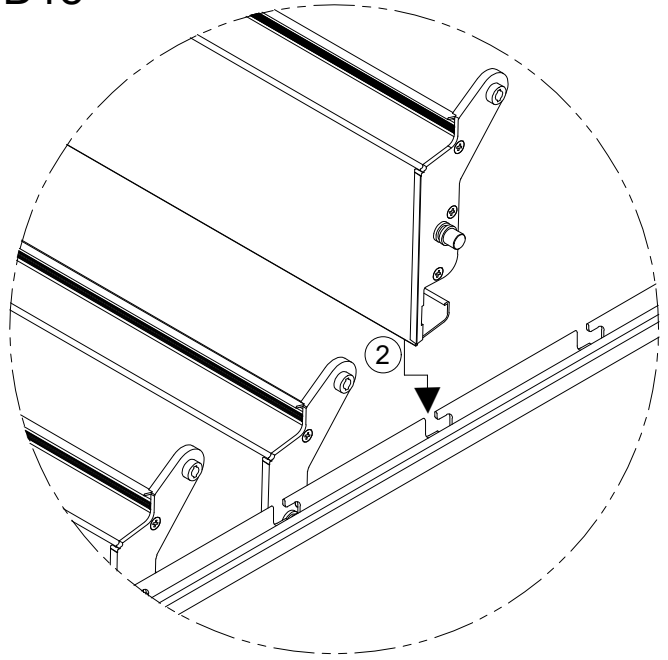


The blade on the motor side is attached at the outermost corner of the motor with code EM07100156 using the screw with code EM10200030.

D18

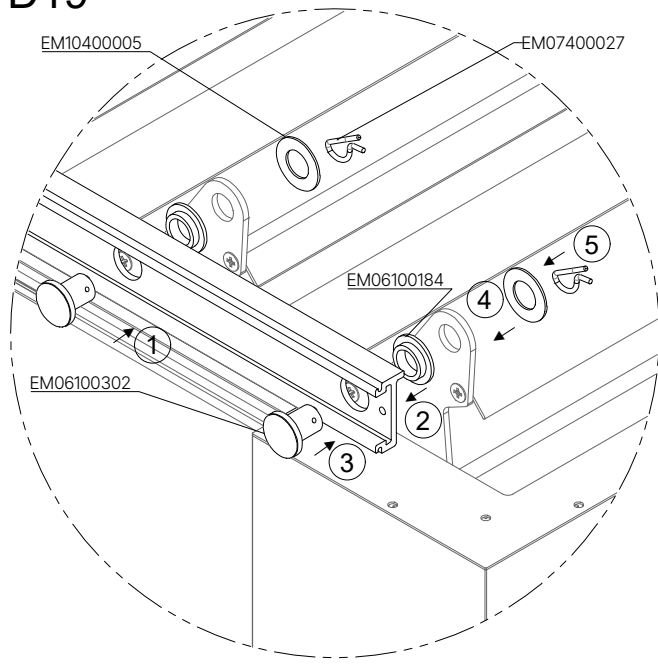


D18

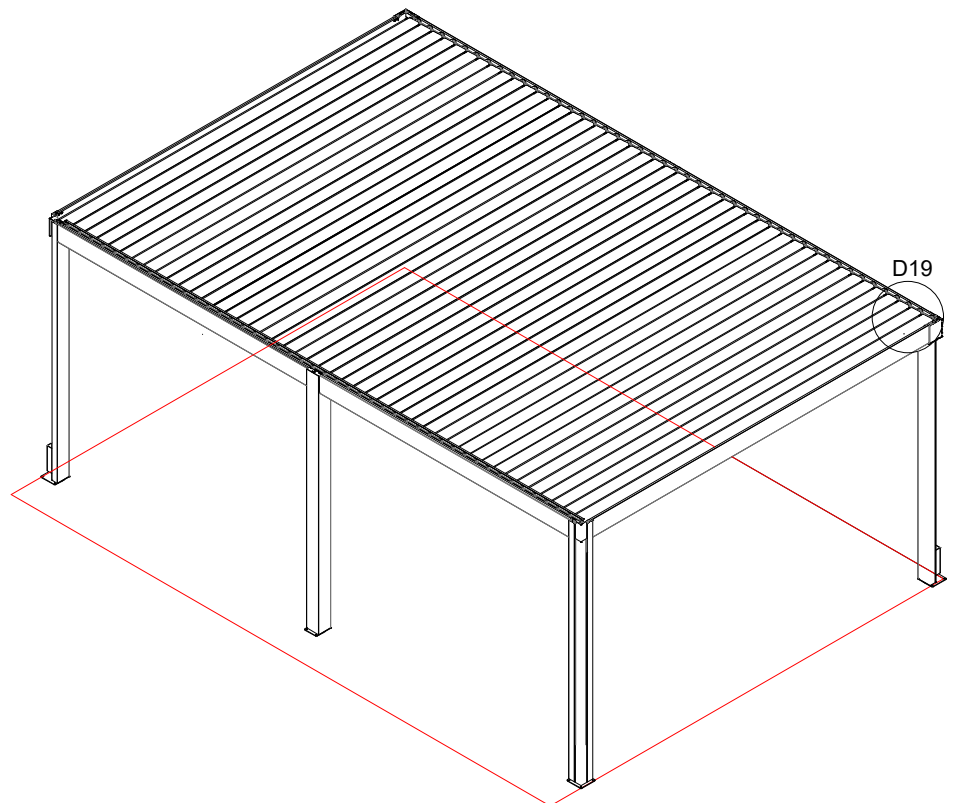
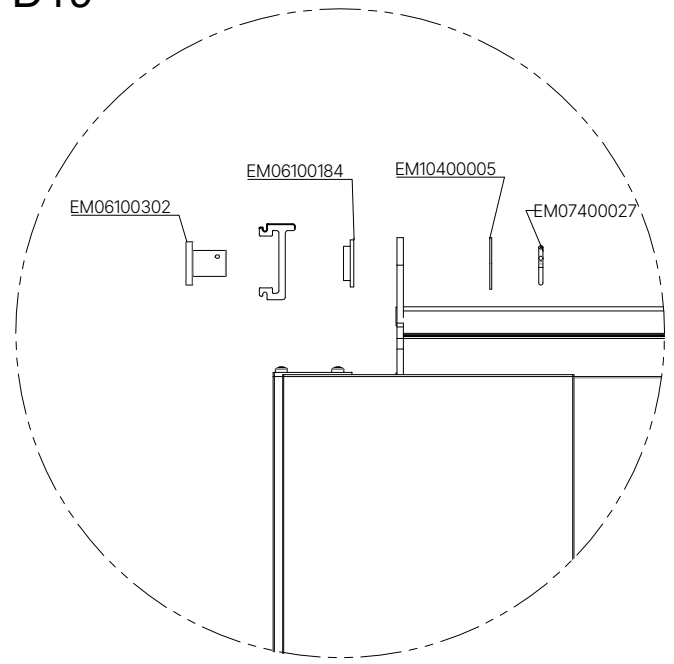


It is inserted into the holes on the side walls as shown.

D19



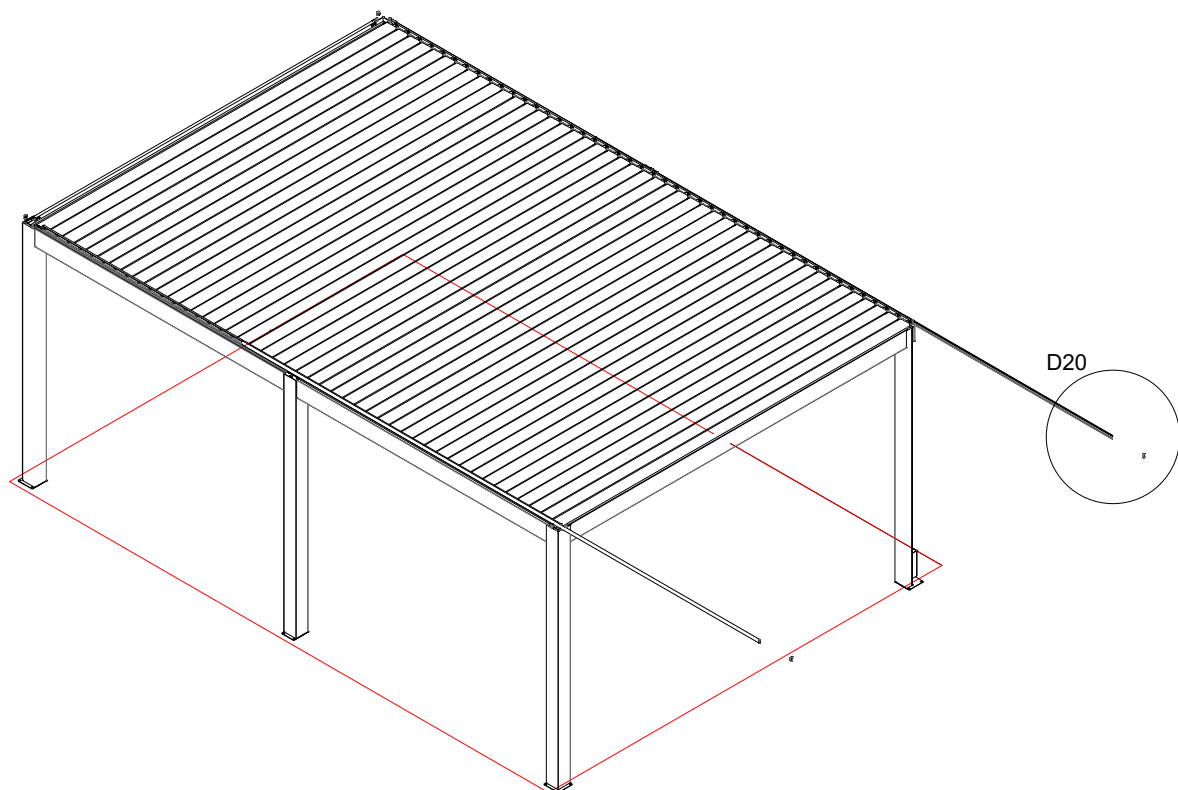
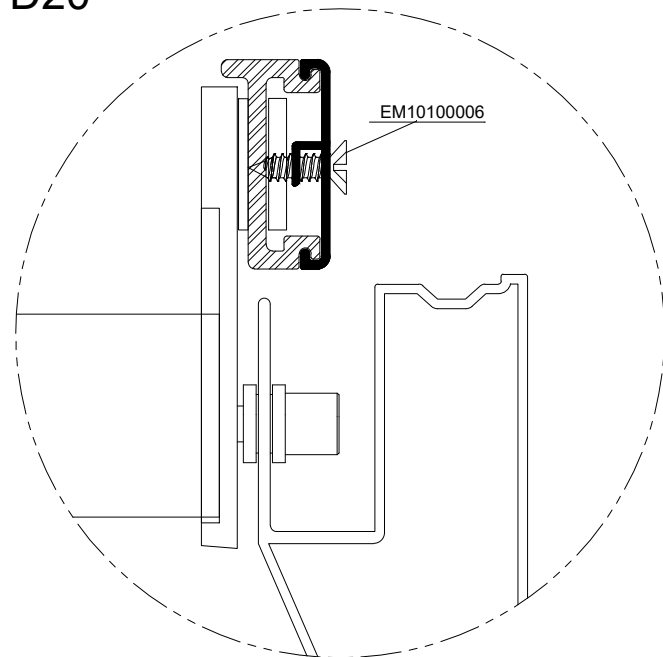
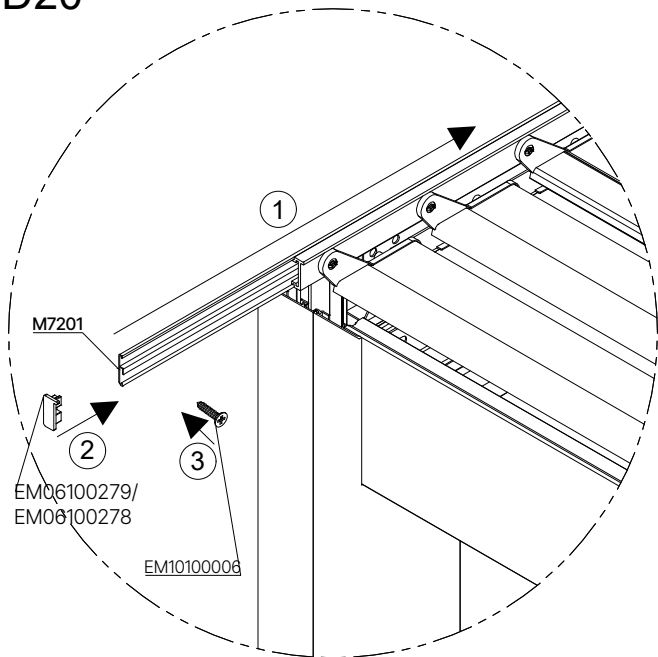
D19



First, the profile with code M7031 is attached to the system. The accessory with code EM06100184 is then attached to the M7031 profile. Afterwards, the accessories with codes EM10400005 and EM07400027 are attached in sequence.

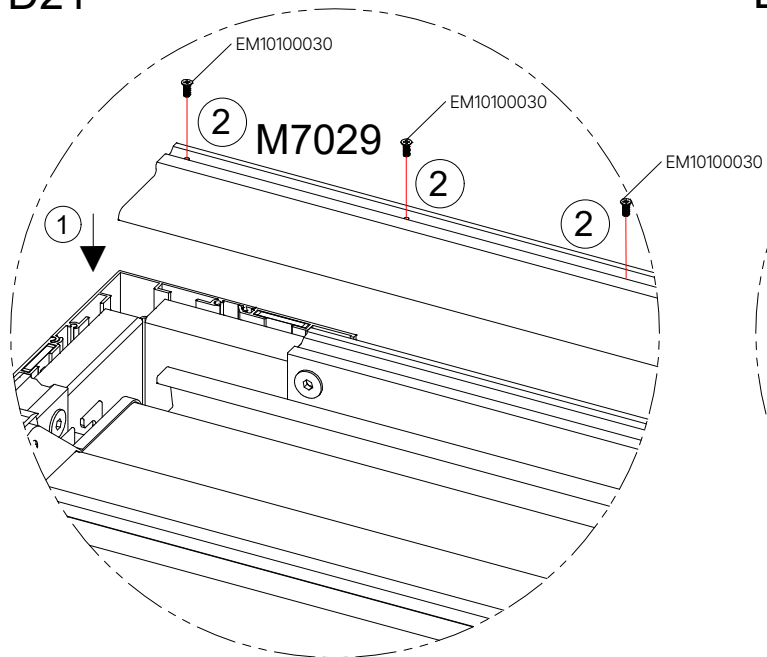
D20

D20

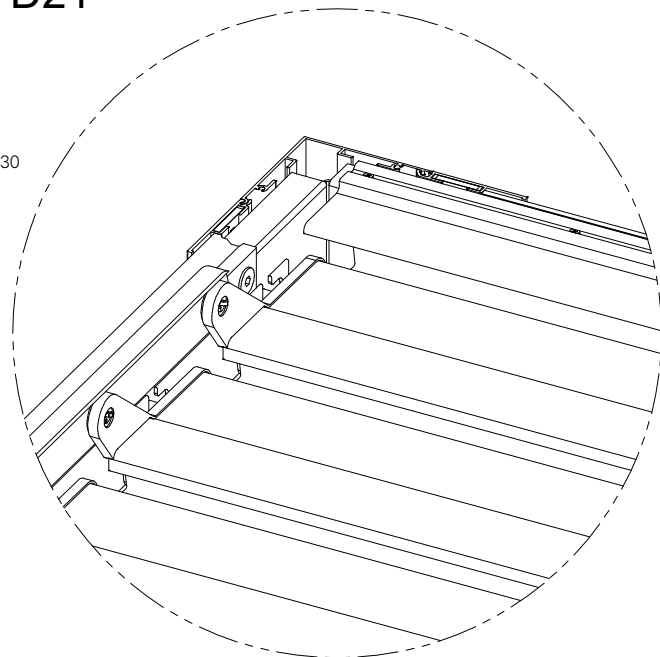


The cover profiles of the movement arm (M7201) are inserted. The plastic covers to be used on the front and back are fixed by screwing after they are installed.

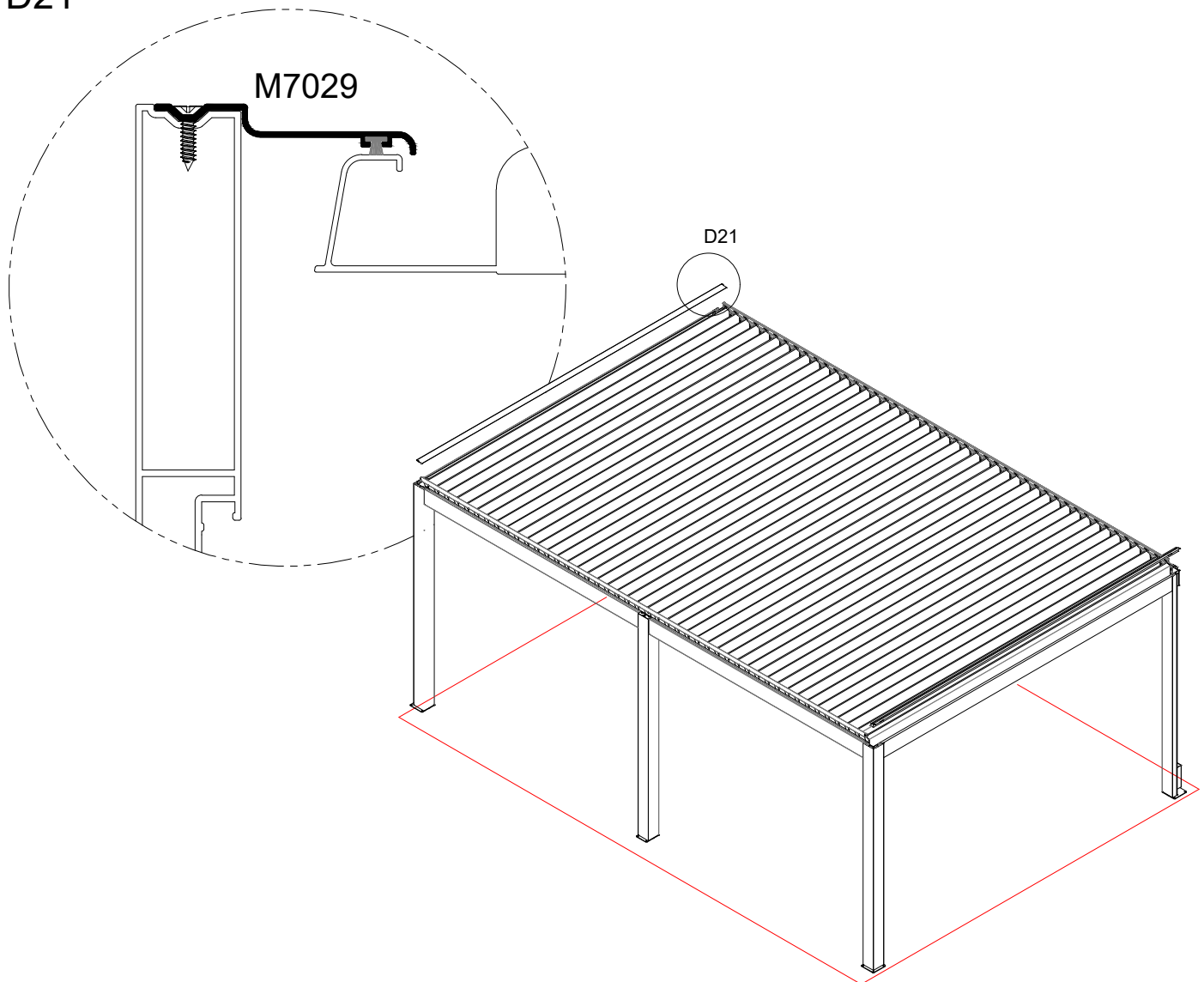
D21



D21

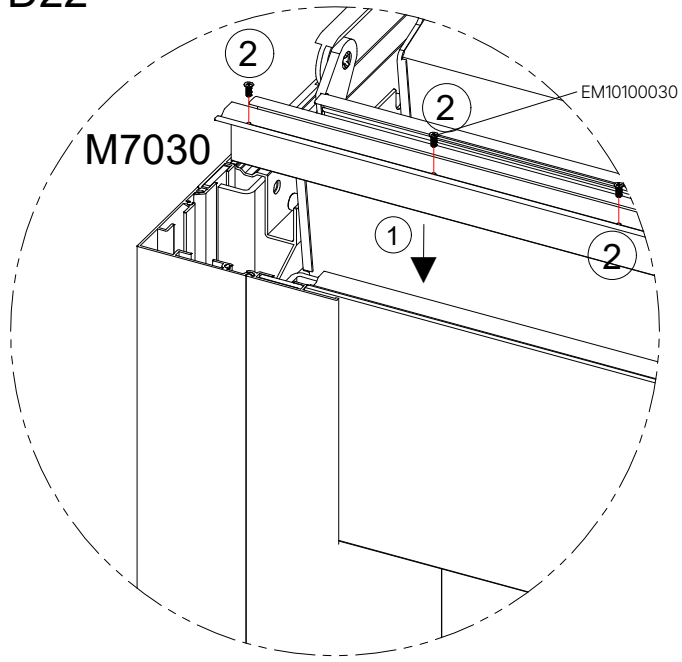


D21

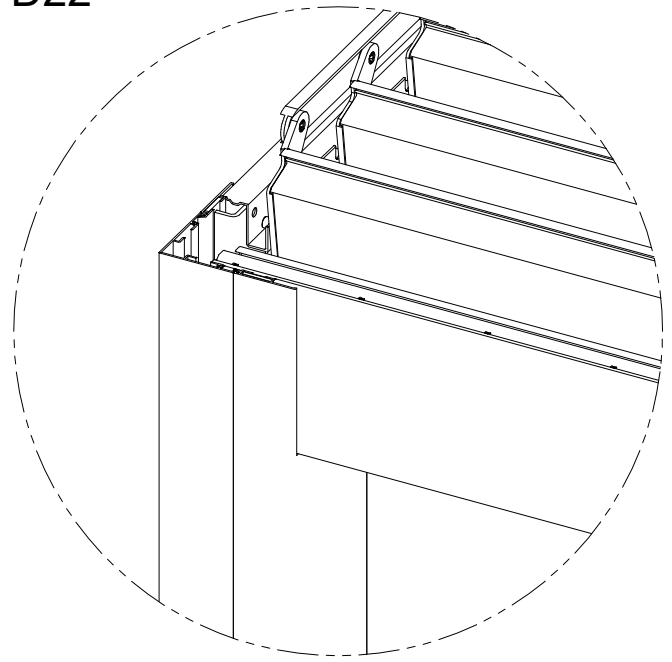


The rear cover profile is installed and screwed as shown above.

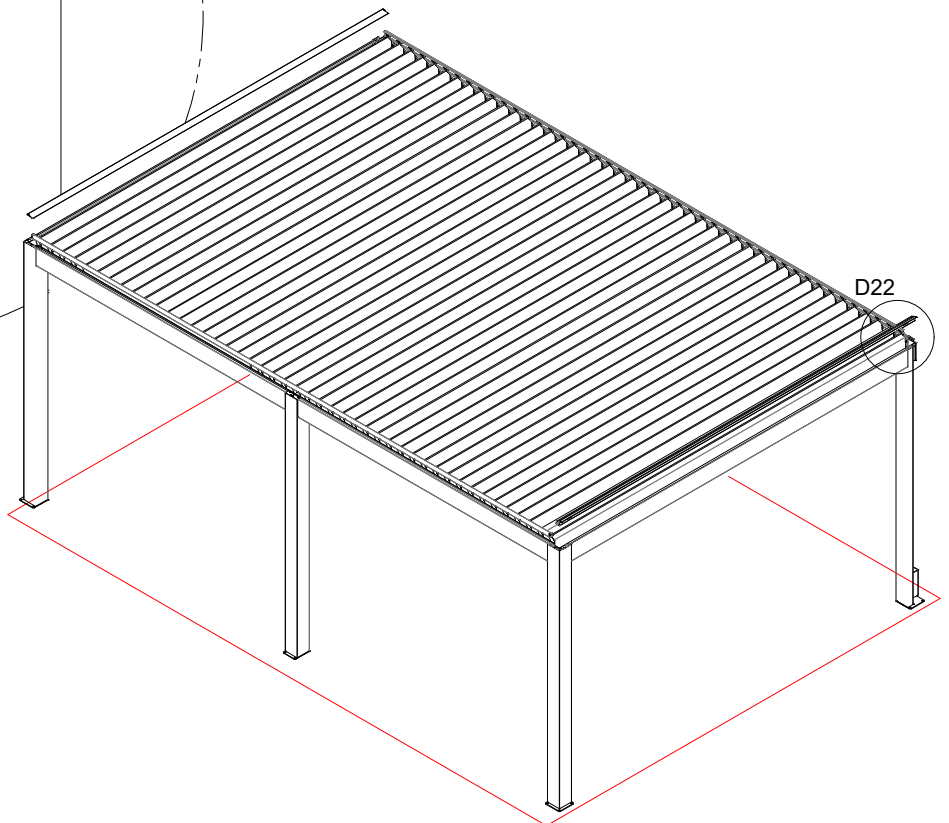
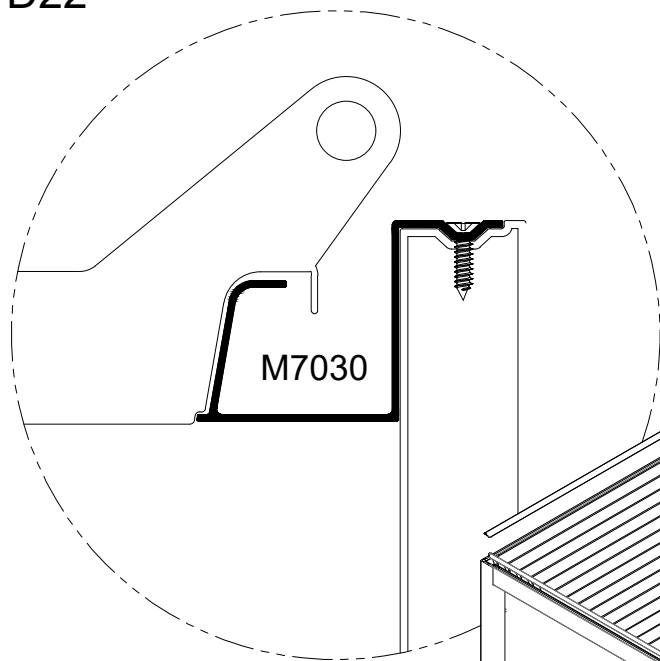
D22



D22

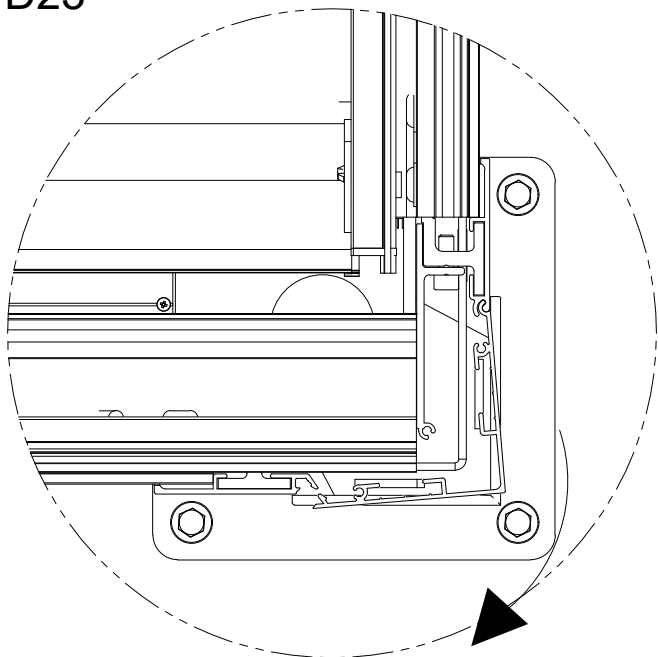


D22

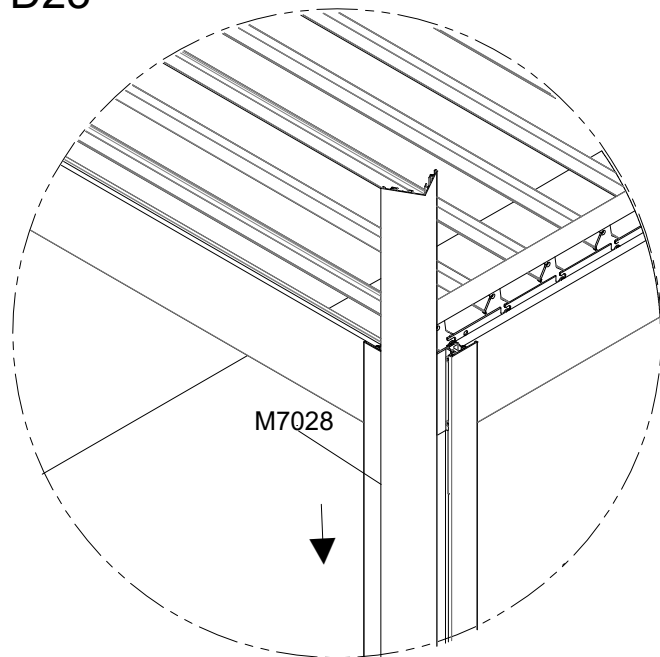


The rear cover profile is installed and screwed as shown above.

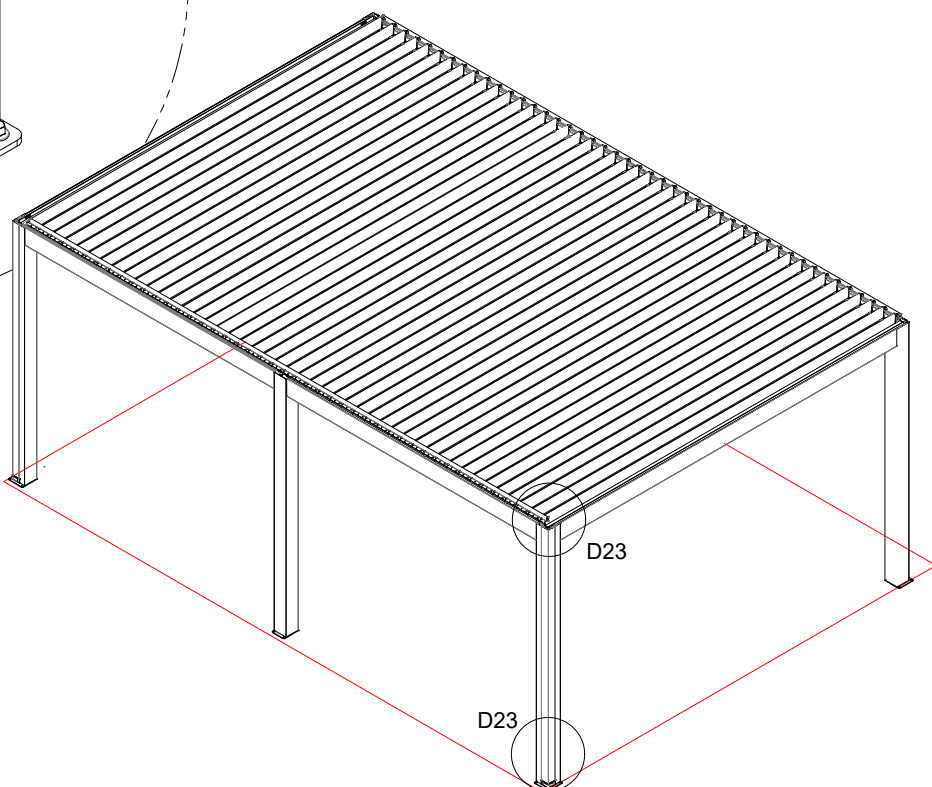
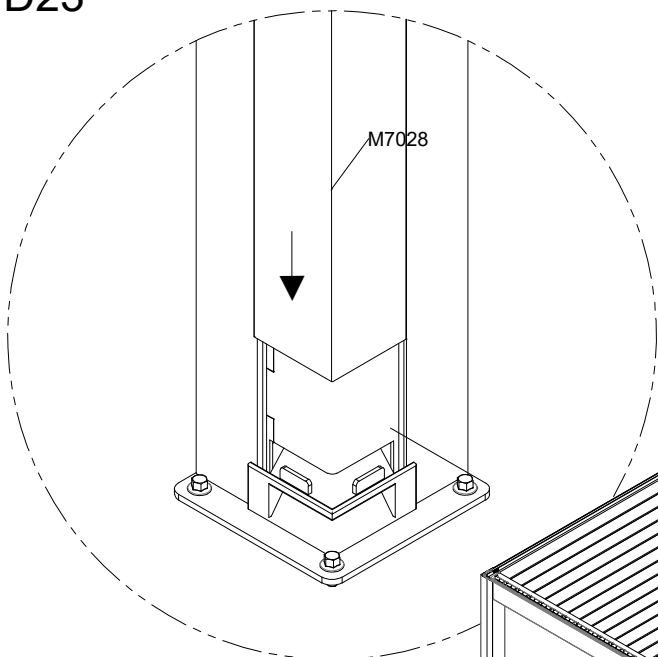
D23



D23



D23



The pillar covers (M7028) on the front of the system are placed on the tabs and installed from top to bottom.

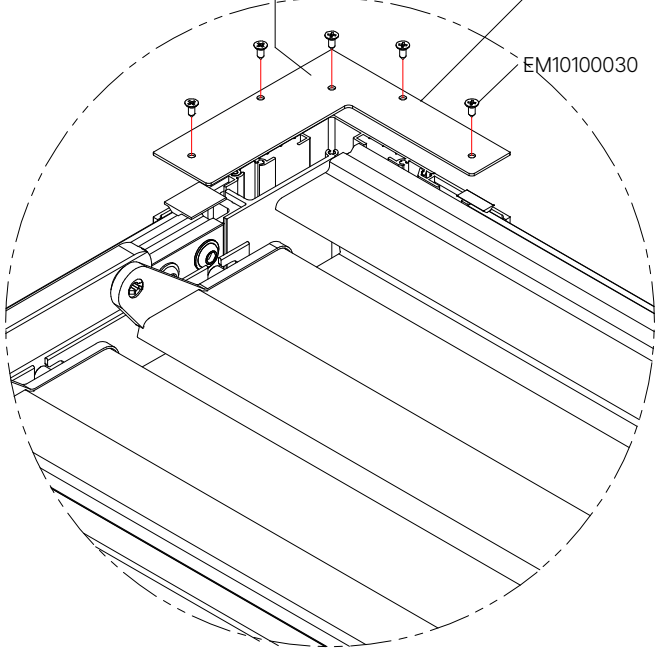
D24



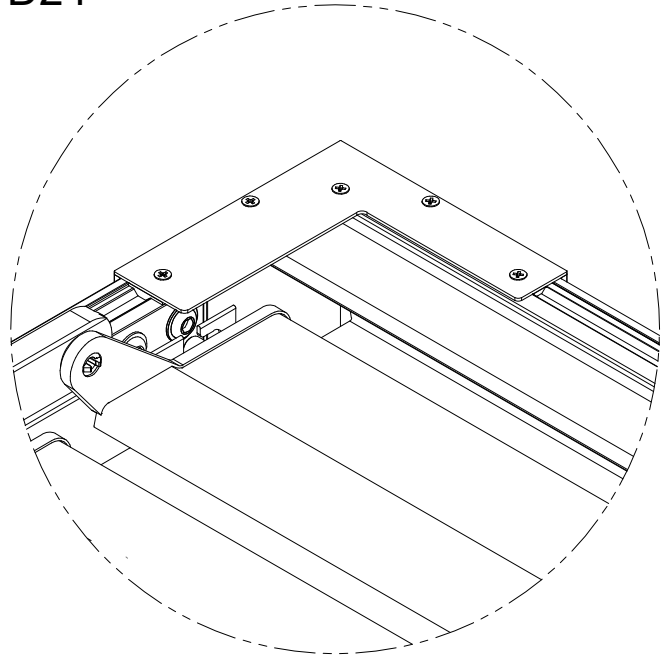
The thick edge should be oriented towards the P direction.

EM07100105

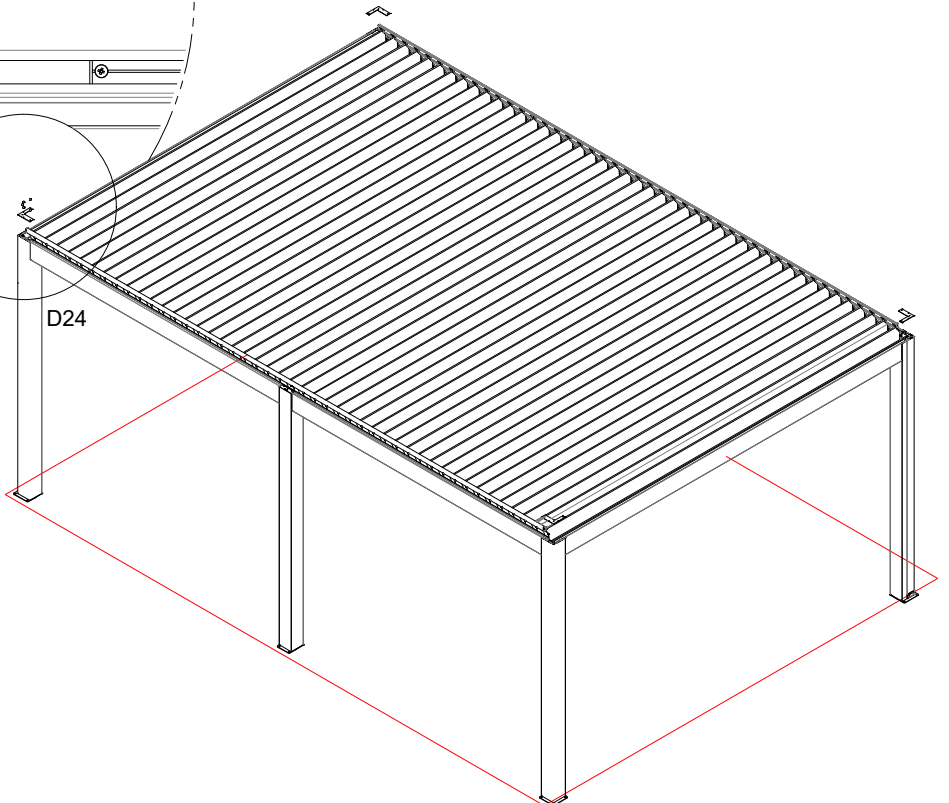
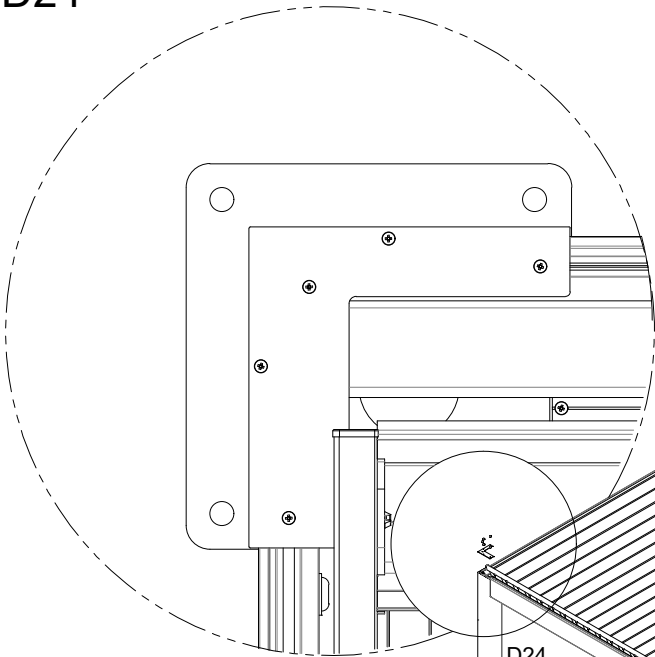
EM10100030



D24

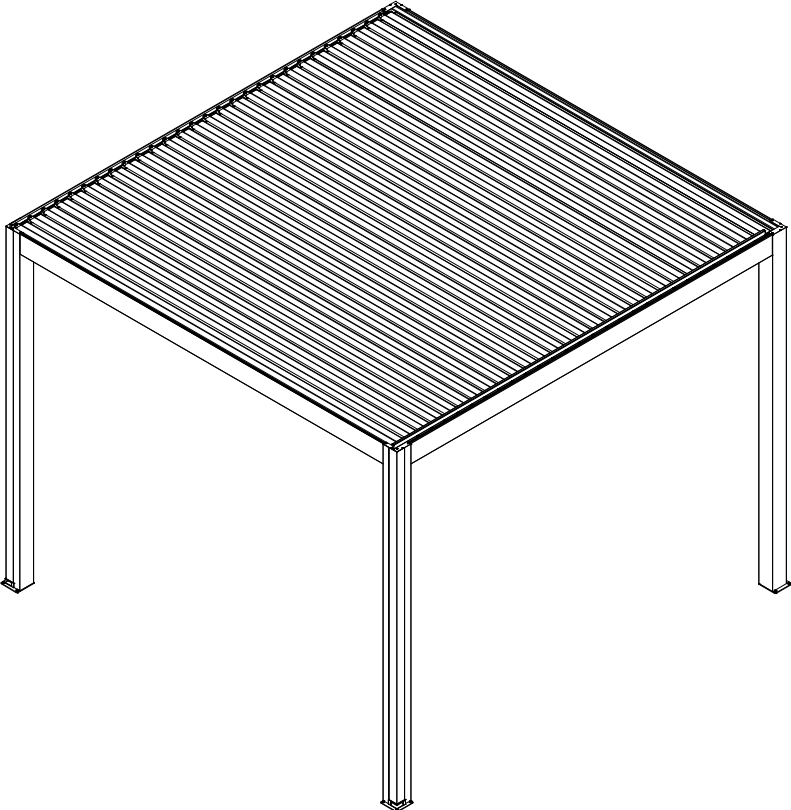


D24

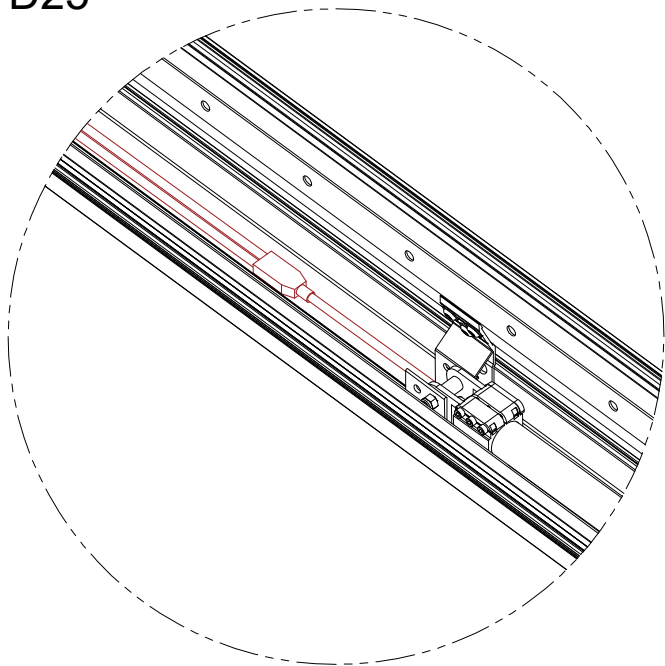


Corner covering plates are installed and screwed as above. The system is completed.

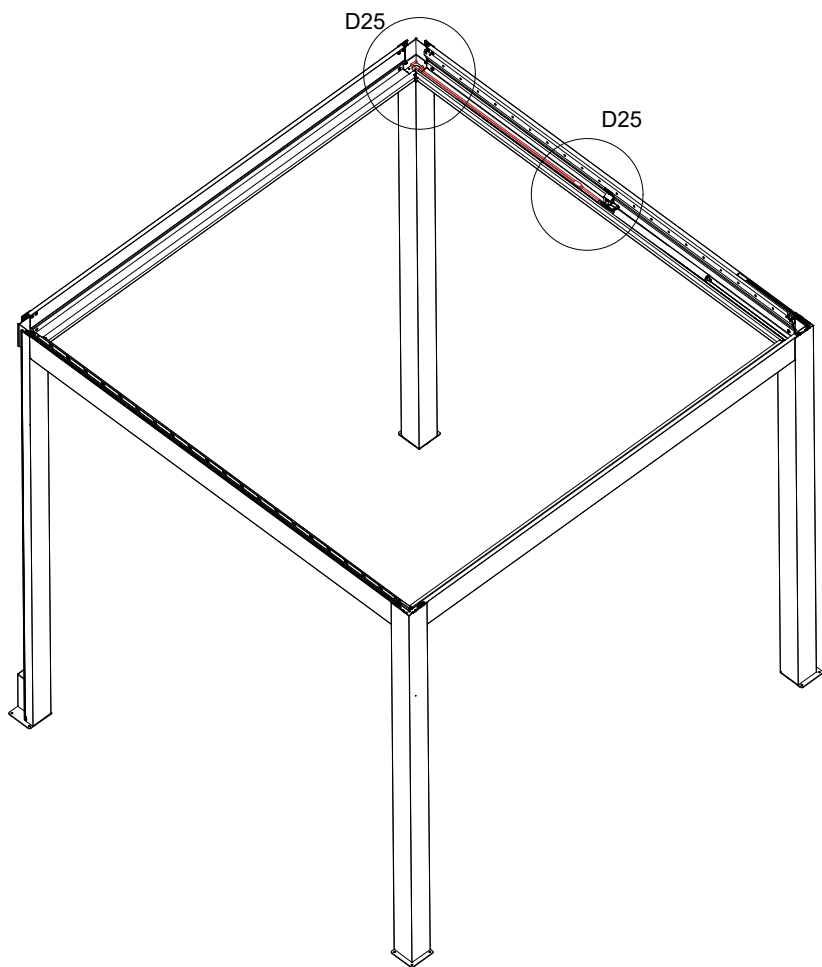
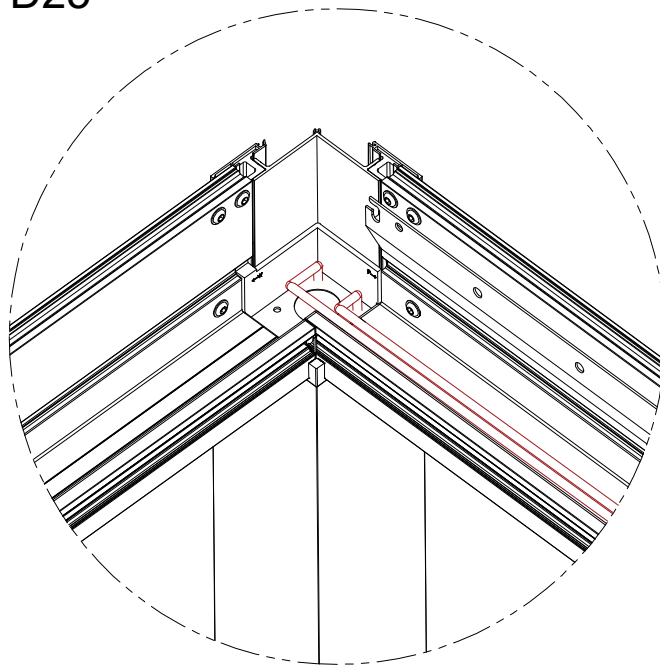
Chapter 1 : Led and Motor Cable Installation



D25

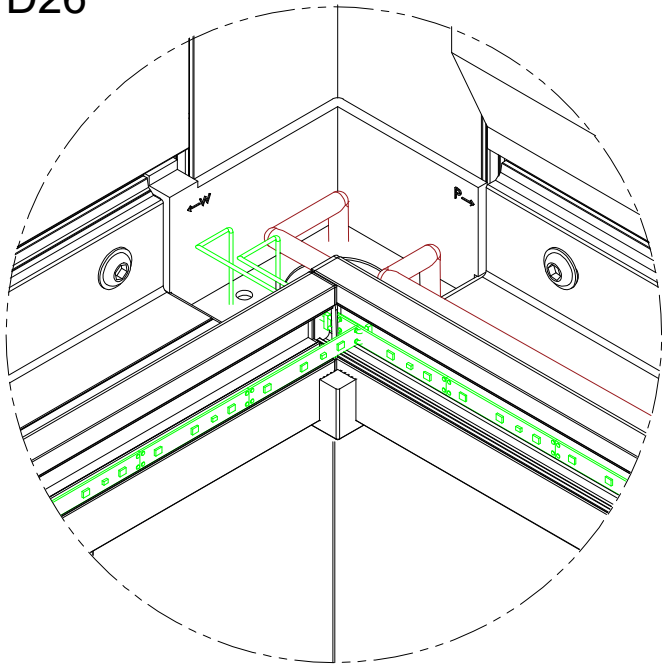


D25

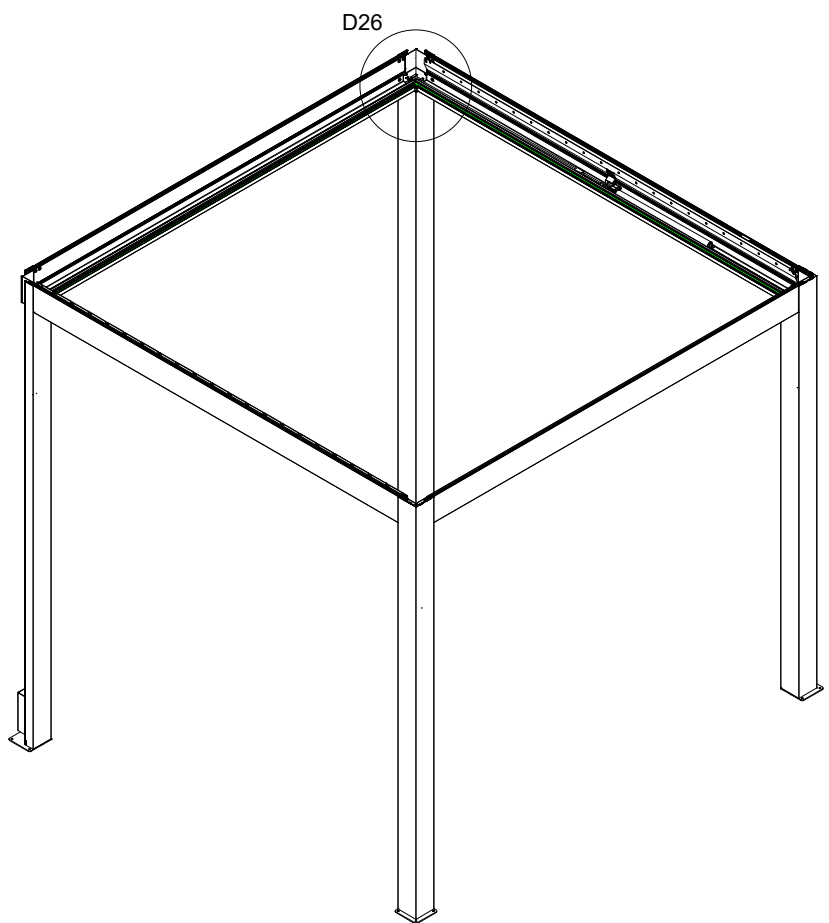
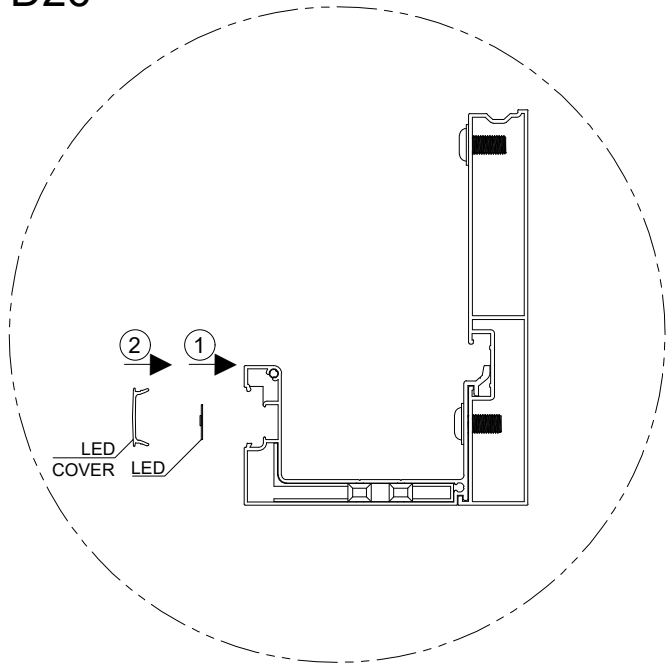


Two cables exiting from the motor are suspended down into the pillar through the designated cable exit points, inside the covered pillar.

D26

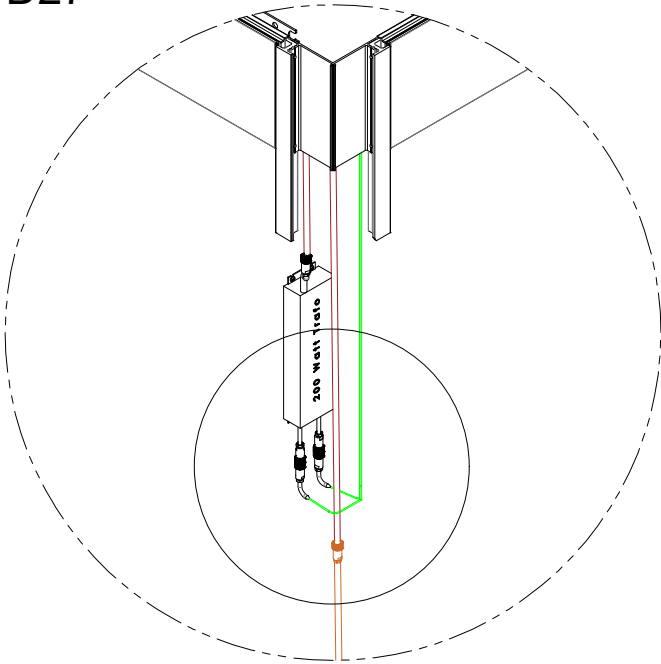


D26

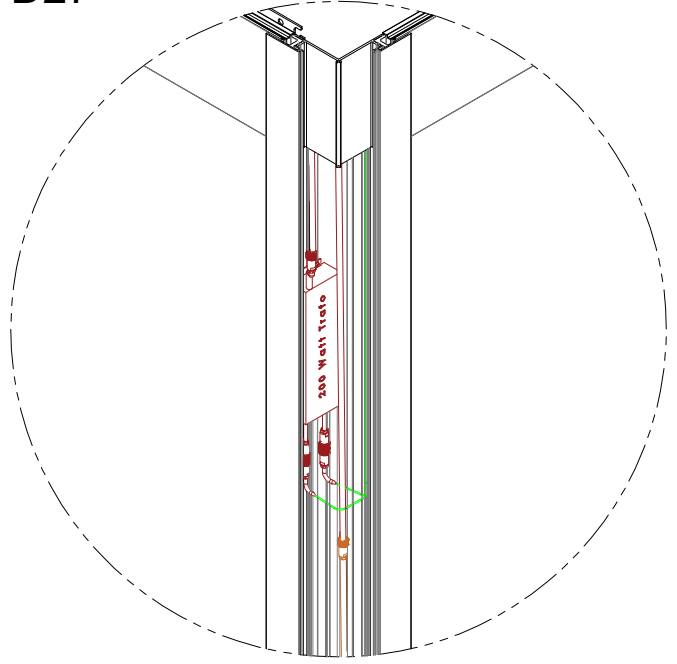


The LED application starts from the corner where the motor cables are connected and continues along the entire frame. The two cables belonging to the LED are suspended down from the single designated exit point on the seal. After the LED is installed, a PVC cover is placed over it.

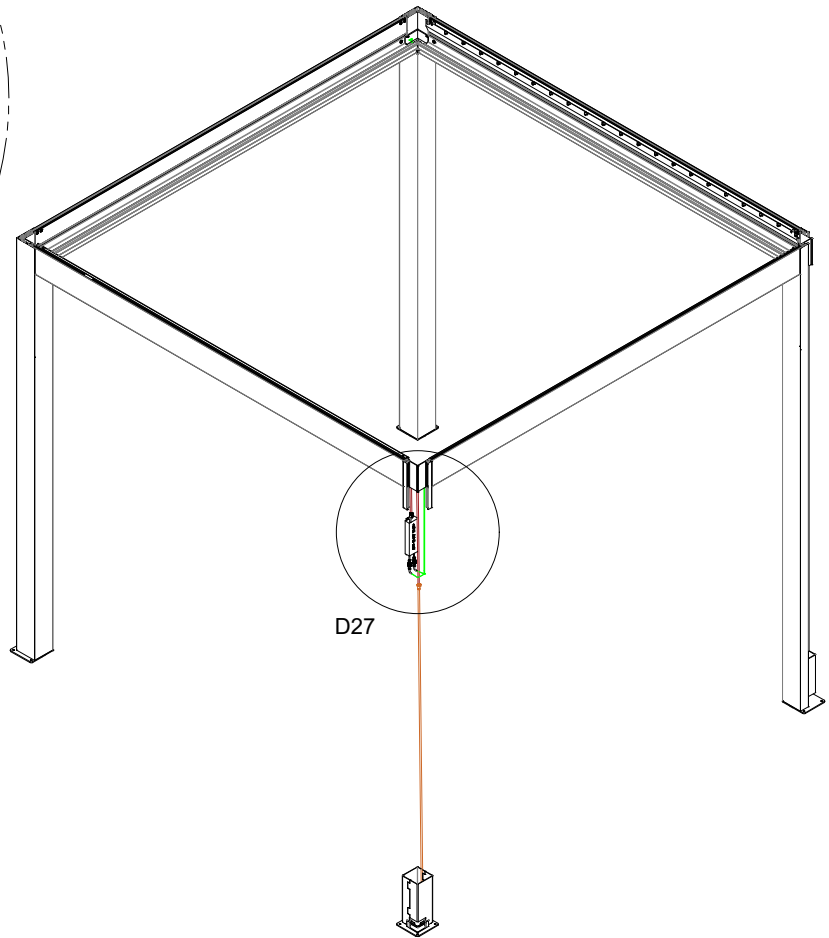
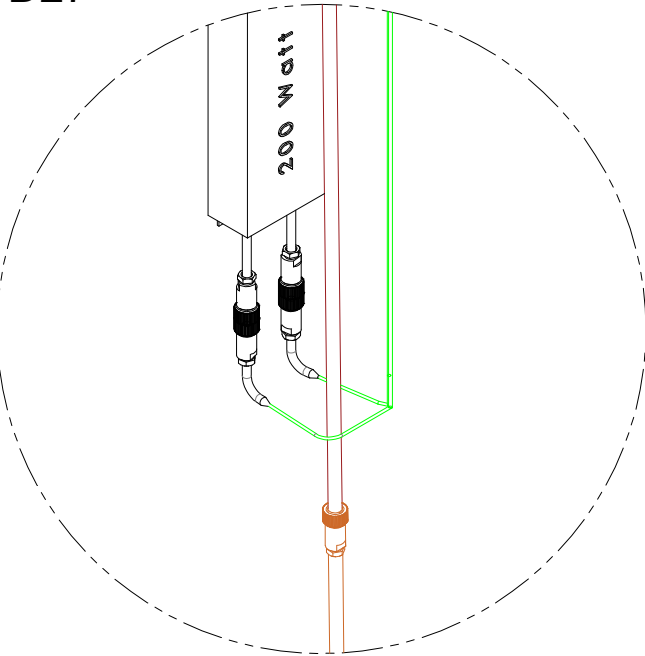
D27



D27



D27



The AC220V cable from the motor is connected to the mains line via a connector. The other cable is connected to the input section of the converter. The two cables from the LED are separately connected to the connectors on the output section of the converter.

Chapter 2 : Electrical Wiring

