

EGHUUN

INSTALLATION CATALOGUE

WALL-MOUNTED

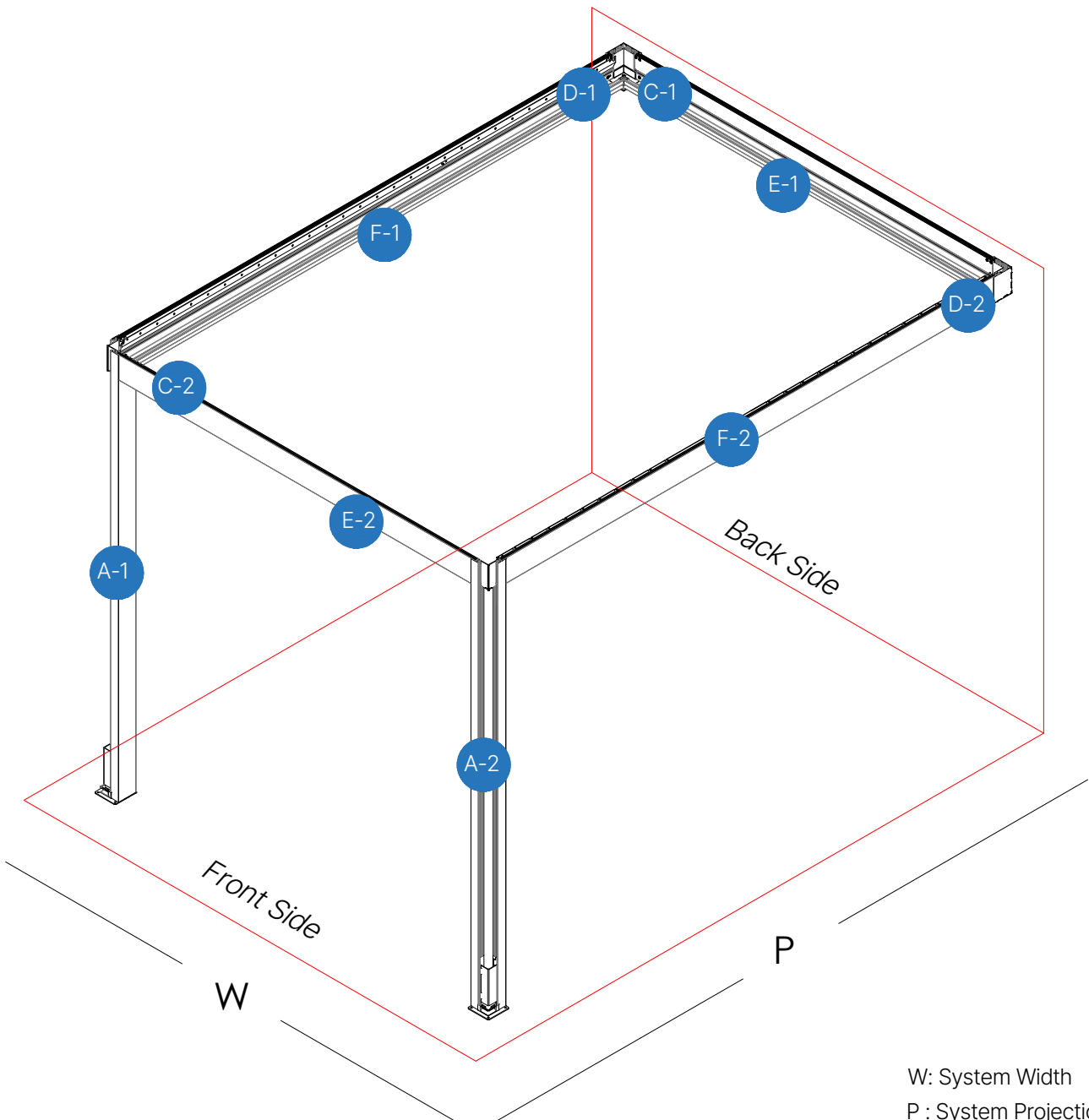
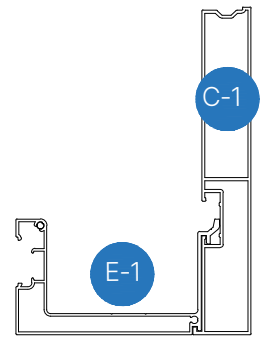
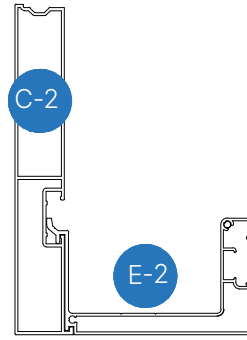
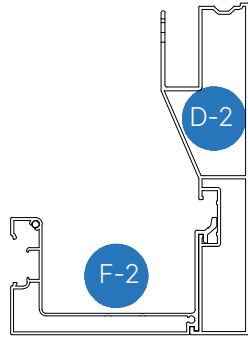
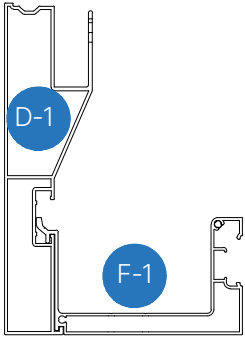
CM-1.3.2502



PERGOLA MEZZO

EN

3x3/3x4/3x5 System



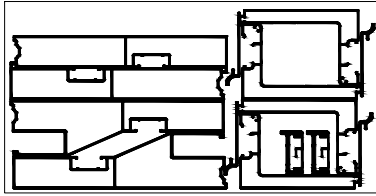
W: System Width
P : System Projection

Contents

| | |
|--|-------|
| Box Contents for 3x3 System | 1 |
| Box Contents for 3x4 System | 2 |
| Box Contents for 3x5 System | 3 |
| Necessary Tools for The Ecoclimatic System | 4 |
| Ecoclimatic Profiles For First Step | 5 |
| Ecoclimatic Accessories For First Step..... | 6-9 |
| Ecoclimatic First Step : Making Frame | 10-22 |
| Ecoclimatic Profiles For Second Step | 23 |
| Ecoclimatic Accessories For Second Step..... | 24-27 |
| Ecoclimatic Second Step : Preparing Blades | 28 |
| Ecoclimatic Second Step : Preparing Motor Blades | 29 |
| Ecoclimatic Second Step : Mounting Roof | 30-41 |
| Led Installation | 42-45 |
| Electrical Wiring | 46-48 |

Box Contents for 3x3 System

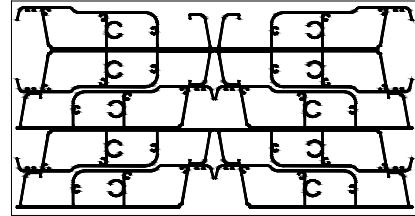
F1



M7034 (C1-C2) x2
 M7033 (E1-E2-F1-F2) x4
 M7035 (D1-D2) x2
 M7031 x2
 M7201 x2

1x

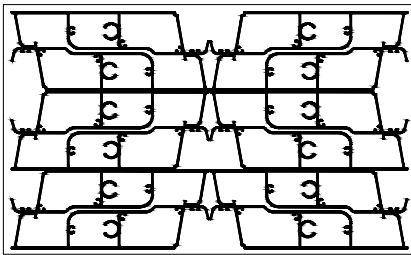
L1



M7032 x10

1x

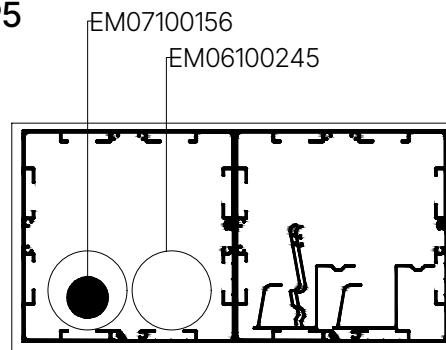
L2



M7032 x12

1x

P5

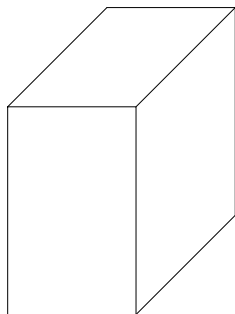


M7037 (A1-A2) x2
 M7028 (A1-A2) x2
 EM07100156 x1
 EM06100245 x1

M7029 x2
 M7030 x2

1x

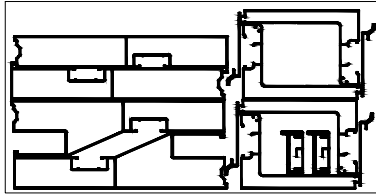
A7



1x

Box Contents for 3x4 System

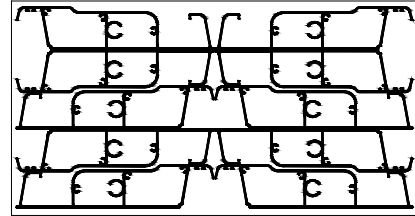
F2



M7034 (C1-C2) x2
M7033 (E1-E2-F1-F2) x4
M7035 (D1-D2) x2
M7031 x2
M7201 x2

1x

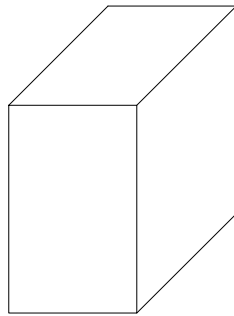
L1



M7032 x10

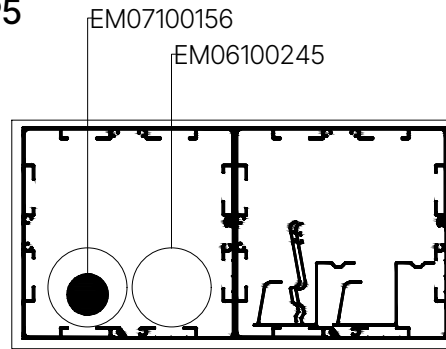
3x

A8



1x

P5



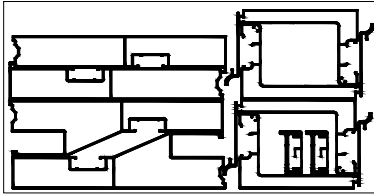
M7037 (A1-A2) x2
M7028 (A1-A2) x2
EM07100156 x1
EM06100245 x1

M7029 x2
M7030 x2

1x

Box Contents for 3x5 System

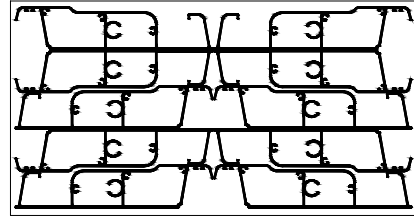
F8



M7034 (C1-C2) x2
 M7033 (E1-E2-F1-F2) x4
 M7035 (D1-D2) x2
 M7031 x2
 M7201 x2

1x

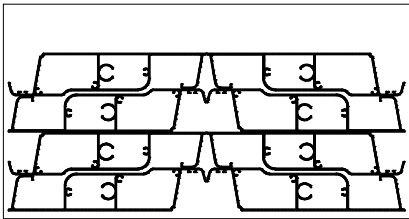
L1



M7032 x10

3x

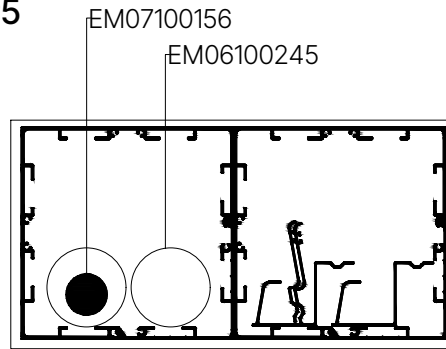
L5



M7032 x8

1x

P5

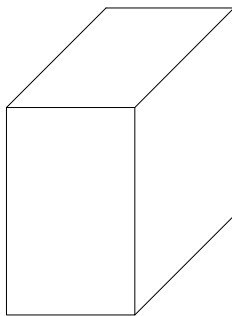


M7037 (A1-A2) x2
 M7028 (A1-A2) x2
 EM07100156 x1
 EM06100245 x1

M7029 x2
 M7030 x2

1x

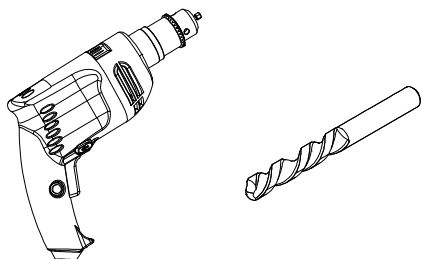
A9



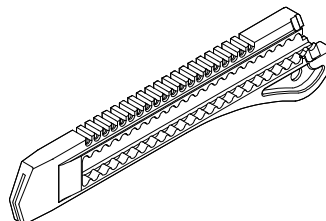
1x

Necessary Tools for The Ecoclimatic System

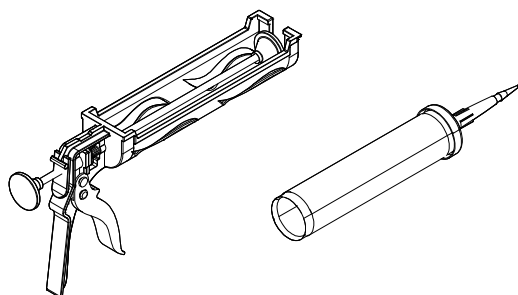
Cordless Drill & Drilling Bit (8 mm)



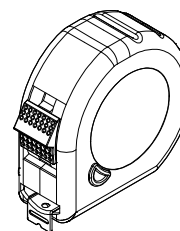
Carpet Knife



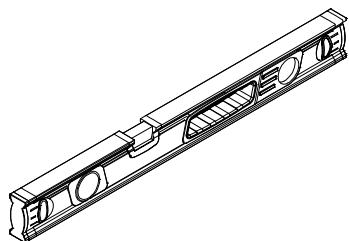
Silicon Gun & Silicon



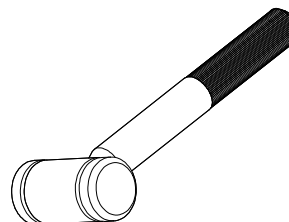
Tape Measure



Water Level

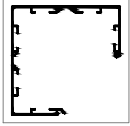


Knob

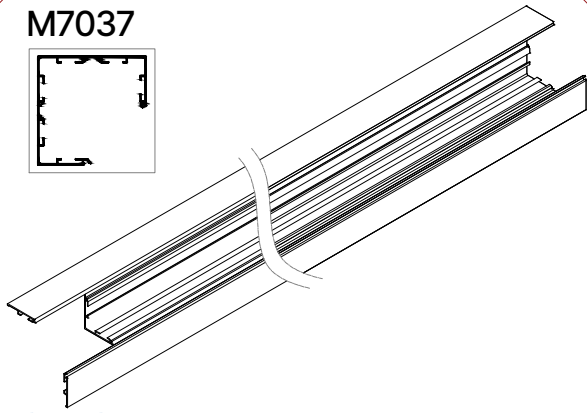


Ecoclimatic Profiles For First Step

M7037

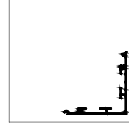


A-1 A-2

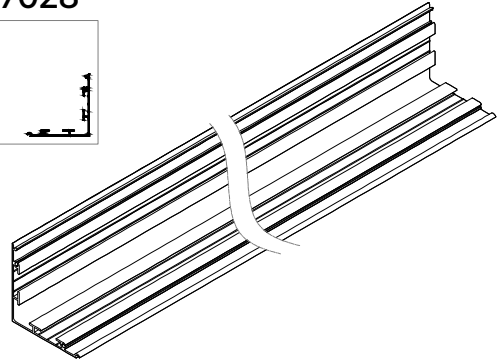


For 3x3 meters systems : 2 pcs
For 3x4 meters systems : 2 pcs
For 3x5 meters systems : 2 pcs

M7028



A-1 A-2

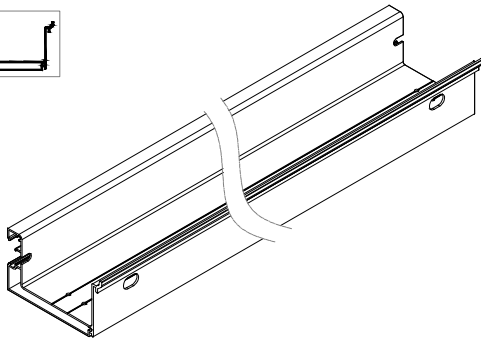


For 3x3 meters systems : 2 pcs
For 3x4 meters systems : 2 pcs
For 3x5 meters systems : 2 pcs

M7033



E-1 E-2 F-1 F-2

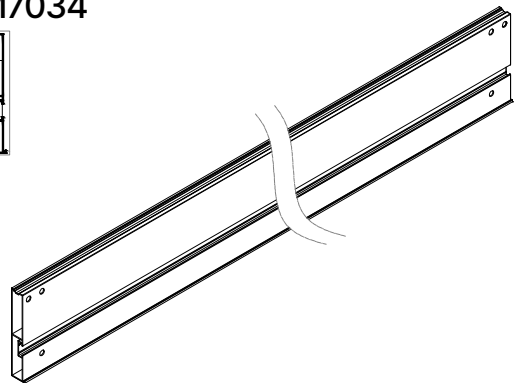


For 3x3 meters systems : 4 pcs
For 3x4 meters systems : 4 pcs
For 3x5 meters systems : 4 pcs

M7034



C-1 C-2

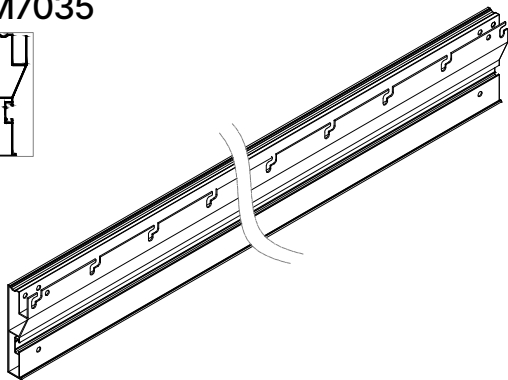


For 3x3 meters systems : 2 pcs
For 3x4 meters systems : 2 pcs
For 3x5 meters systems : 2 pcs

M7035



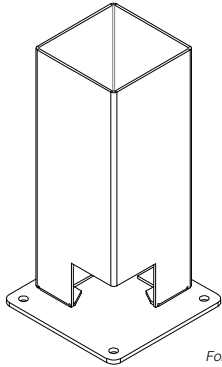
D-1 D-2



For 3x3 meters systems : 2 pcs
For 3x4 meters systems : 2 pcs
For 3x5 meters systems : 2 pcs

Ecoclimatic Accessories For First Step

EM07100104

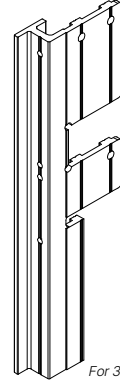


For 3x3 meters systems : 2 pcs
For 3x4 meters systems : 2 pcs
For 3x5 meters systems : 2 pcs

EM07200027



This product has a direction

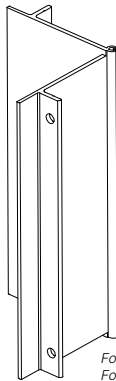


For 3x3 meters systems : 4 pcs
For 3x4 meters systems : 4 pcs
For 3x5 meters systems : 4 pcs

EM07200028



This product has a direction

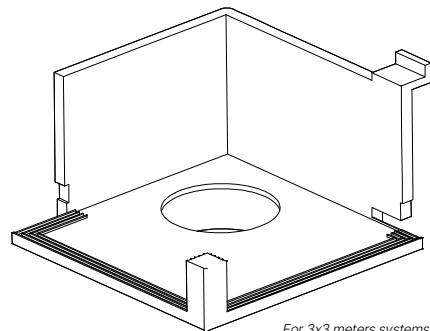


For 3x3 meters systems : 2 pcs
For 3x4 meters systems : 2 pcs
For 3x5 meters systems : 2 pcs

EM06100186

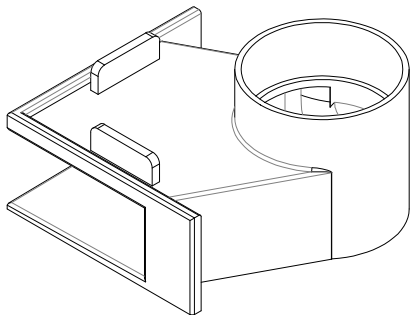


This product has a direction



For 3x3 meters systems : 2 pcs
For 3x4 meters systems : 2 pcs
For 3x5 meters systems : 2 pcs

EM06100229 - (Black)
EM06100295 - (White)



For 3x3 meters systems : 2 pcs
For 3x4 meters systems : 2 pcs
For 3x5 meters systems : 2 pcs

EM06100245



For 3x3 meters systems : 2 pcs
For 3x4 meters systems : 2 pcs
For 3x5 meters systems : 2 pcs

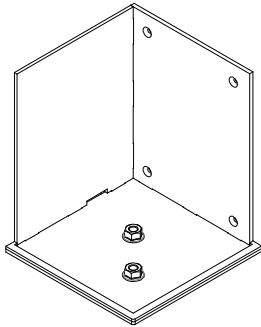
Ecoclimatic Accessories For First Step

"WALL MOUNTED ACCESSORIES"

EM07300204

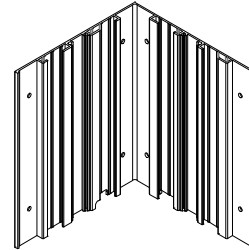


This product has a direction



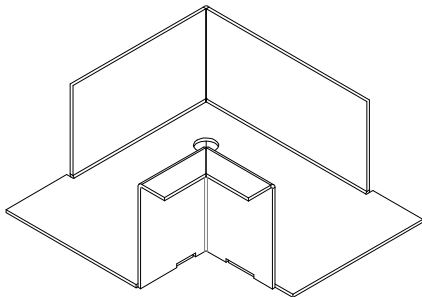
*For 3x3 meters systems : 2 pcs
For 3x4 meters systems : 2 pcs
For 3x5 meters systems : 2 pcs*

EM07200027



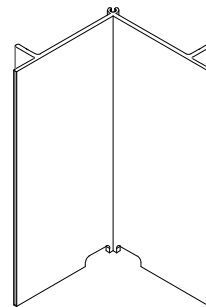
*For 3x3 meters systems : 2 pcs
For 3x4 meters systems : 2 pcs
For 3x5 meters systems : 2 pcs*

EM07300205



*For 3x3 meters systems : 2 pcs
For 3x4 meters systems : 2 pcs
For 3x5 meters systems : 2 pcs*

EM07200072

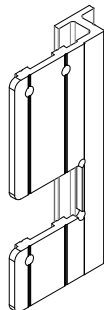


*For 3x3 meters systems : 2 pcs
For 3x4 meters systems : 2 pcs
For 3x5 meters systems : 2 pcs*

EM07200071



This product has a direction

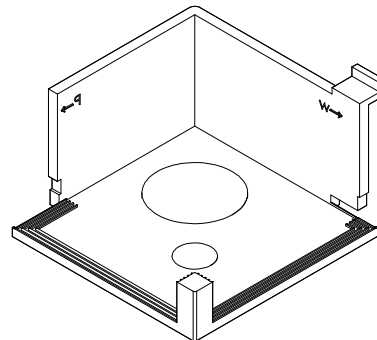


*For 3x3 meters systems : 4 pcs
For 3x4 meters systems : 4 pcs
For 3x5 meters systems : 4 pcs*

EM06100284



This product has a direction

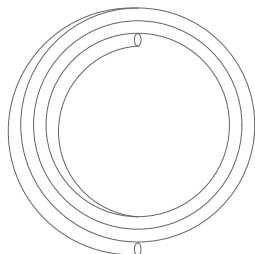


*For 3x3 meters systems : 2 pcs
For 3x4 meters systems : 2 pcs
For 3x5 meters systems : 2 pcs*

Ecoclimatic Accessories For First Step

EM06200059

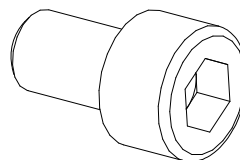
15 mm cord



For 3x3 meters systems : 1 pcs
For 3x4 meters systems : 1 pcs
For 3x5 meters systems : 1 pcs

EM10200025

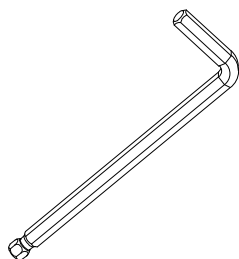
M6x12 Imbus



For 3x3 meters systems : 16 pcs
For 3x4 meters systems : 16 pcs
For 3x5 meters systems : 16 pcs

Allen Key -

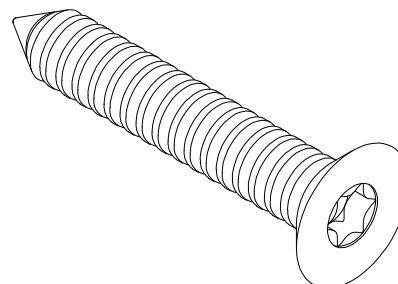
EM13000062 & EM13000063



For 3x3 meters systems : 1 pcs
For 3x4 meters systems : 1 pcs
For 3x5 meters systems : 1 pcs

EM10100005

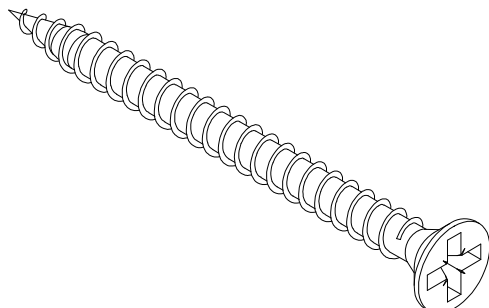
7,5x100 mm Buldex Screw



For 3x3 meters systems : 12 pcs
For 3x4 meters systems : 12 pcs
For 3x5 meters systems : 12 pcs

EM10100030

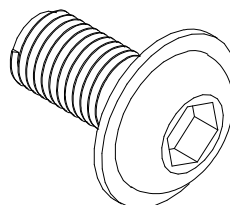
3,9x25mm Screw



For 3x3 meters systems : 16 pcs
For 3x4 meters systems : 16 pcs
For 3x5 meters systems : 16 pcs

EM10200006

M8x12 Bolt

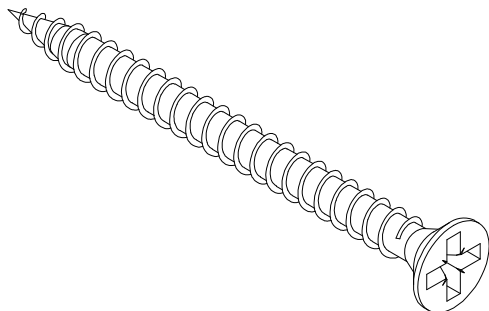


For 3x3 meters systems : 24 pcs
For 3x4 meters systems : 24 pcs
For 3x5 meters systems : 24 pcs

Ecoclimatic Accessories For First Step

EM10100017

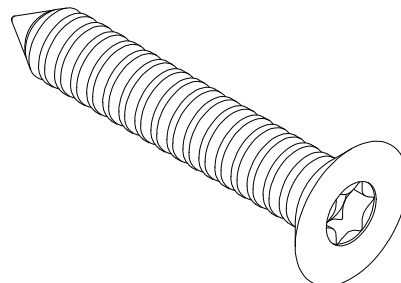
3,9x38mm Screw



For 3x3 meters systems : 8 pcs
For 3x4 meters systems : 8 pcs
For 3x5 meters systems : 8 pcs

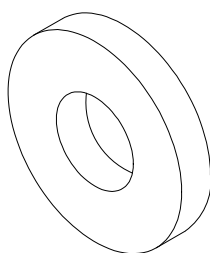
EM10100028

7,5x60 mm Buldex Screw



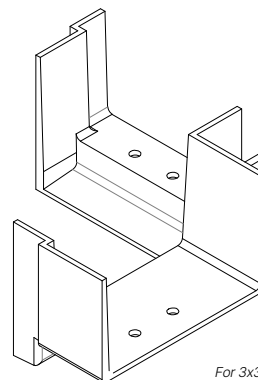
For 3x3 meters systems : 8 pcs
For 3x4 meters systems : 8 pcs
For 3x5 meters systems : 8 pcs

EM06200056



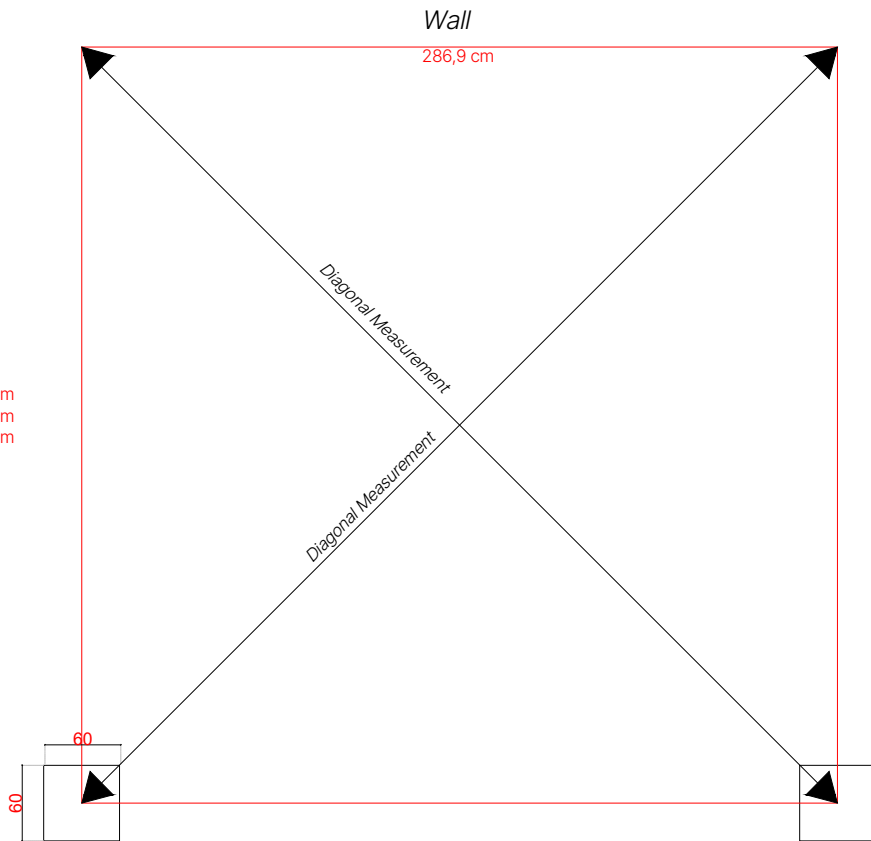
For 3x3 meters systems : 4 pcs
For 3x4 meters systems : 4 pcs
For 3x5 meters systems : 4 pcs

EM06100292

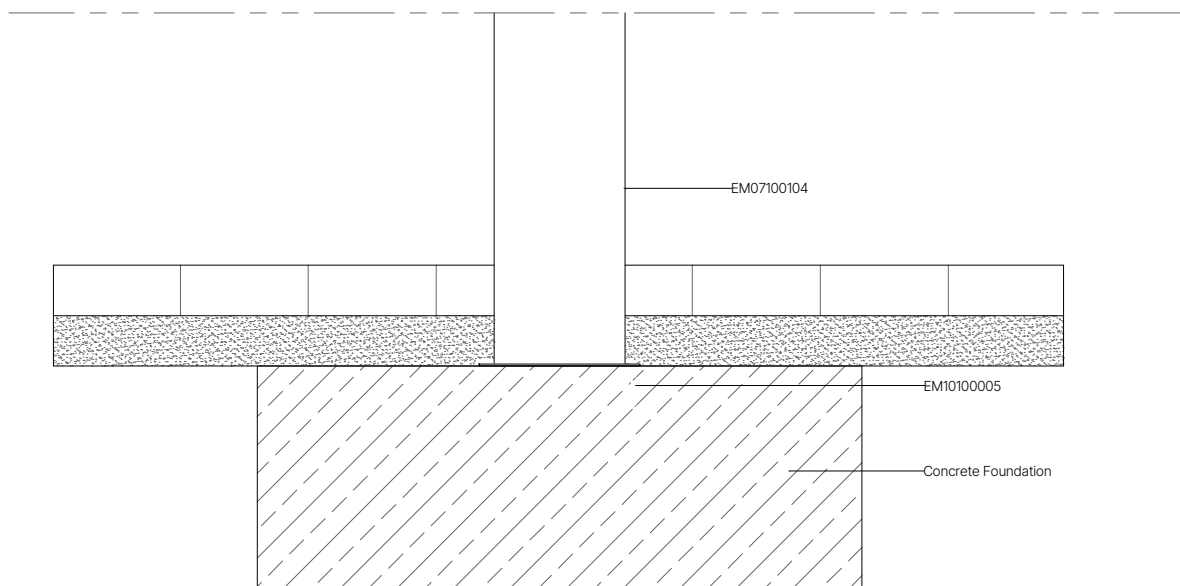


For 3x3 meters systems : 2 pcs
For 3x4 meters systems : 2 pcs
For 3x5 meters systems : 2 pcs

for 3x3 system : 286,9 cm
for 3x4 system : 391,7 cm
for 3x5 system : 496,4 cm



If your system is **3x3 meters**, then the diagonal measurement should be **405.1 cm**.
If your system is **3x4 meters**, then the diagonal measurement should be **484.9 cm**.
If your system is **3x5 meters**, then the diagonal measurement should be **572.8 cm**.

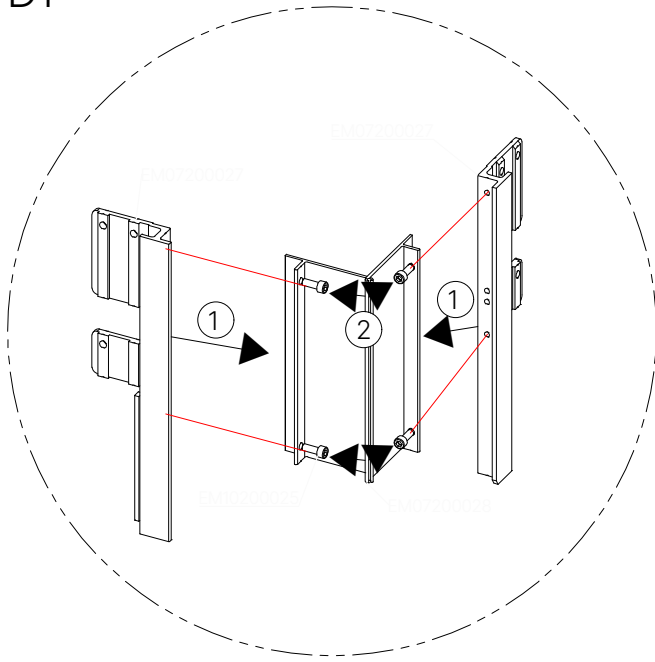


Section Detail

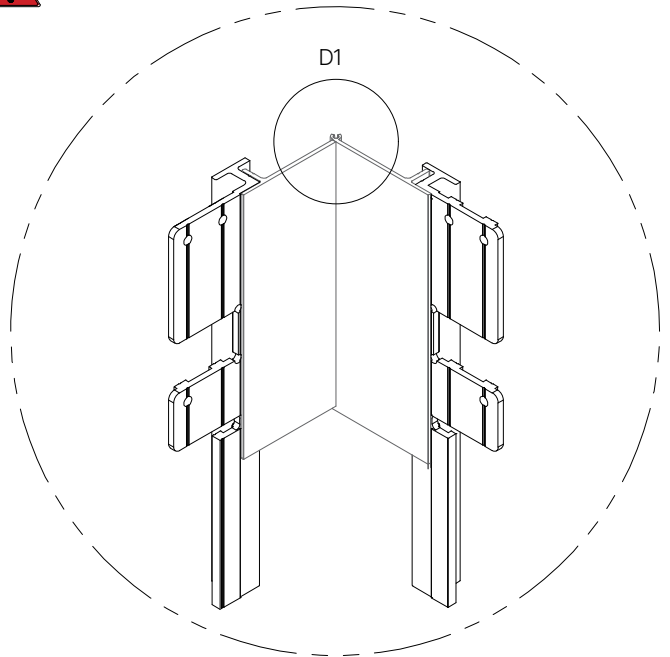
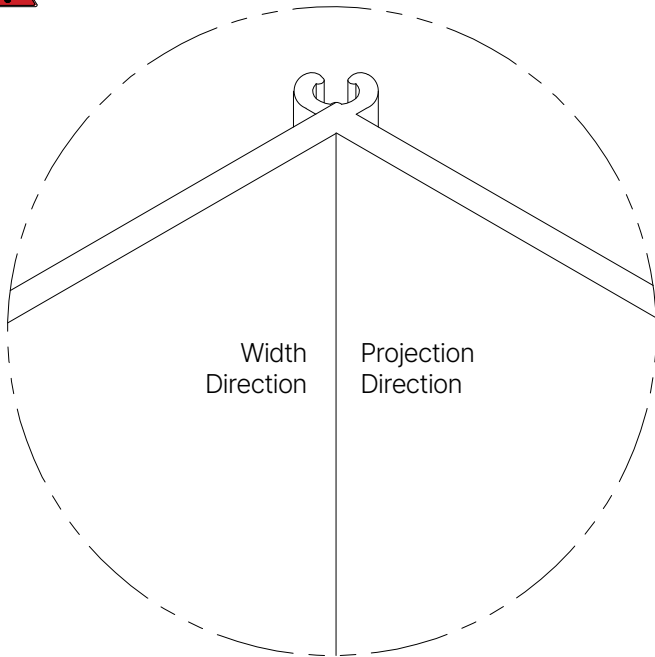
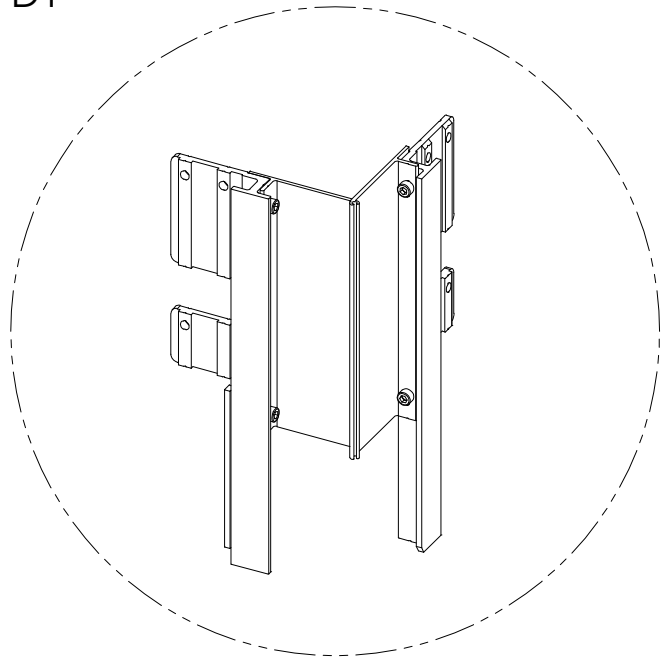
To ensure maximum durability of your pergola against environmental conditions, we recommend reinforcing the surface where the structure will be installed. In this regard, it is advisable to create reinforced point foundations measuring 60x60x80 cm and secure your pergola to these foundations using anchor bolts (EM10100005). Alternatively, you can also screw your pergola directly into patio surfaces such as stone or wooden decking

Ecoclimatic First Step : Making Frame

D1



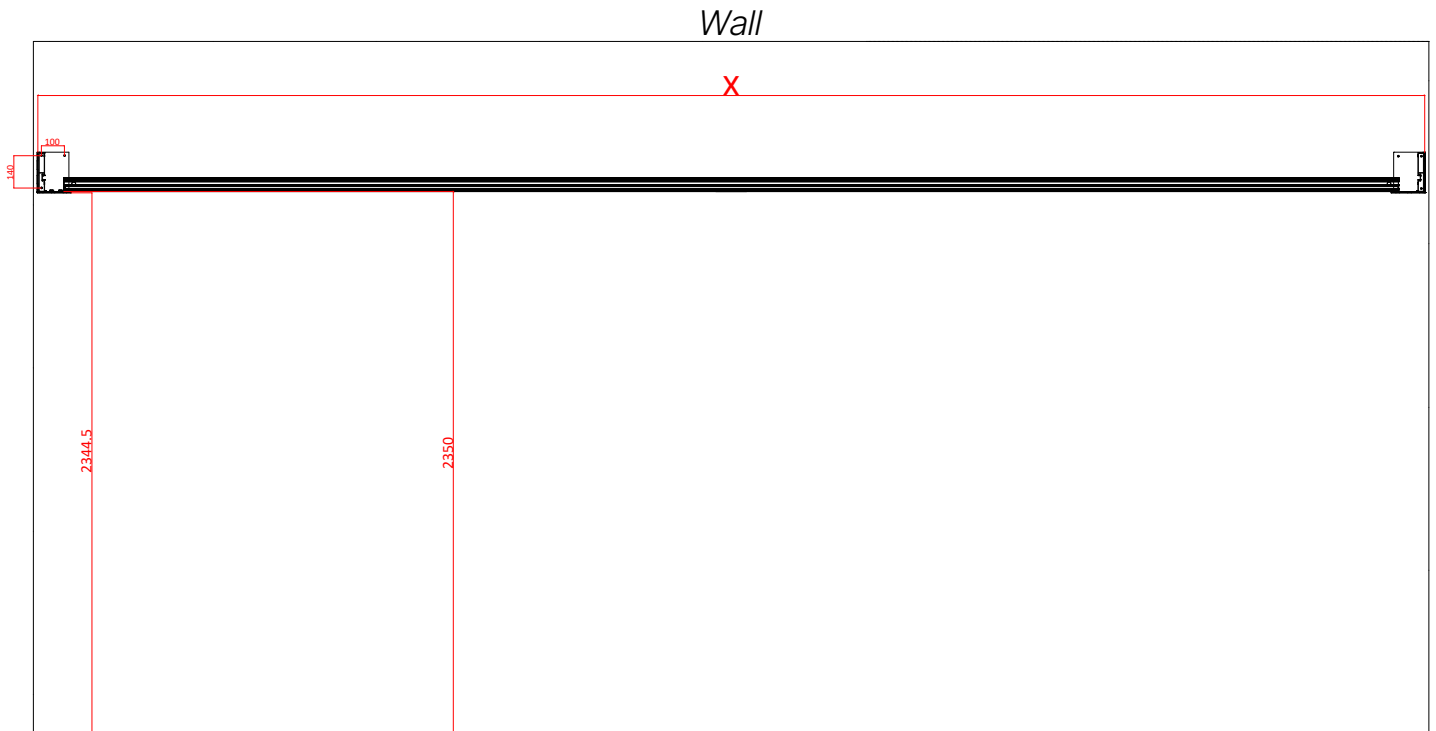
D1



EM07200027 and EM07200028 are screwed together and 2 sets are prepared in this way.



Attention

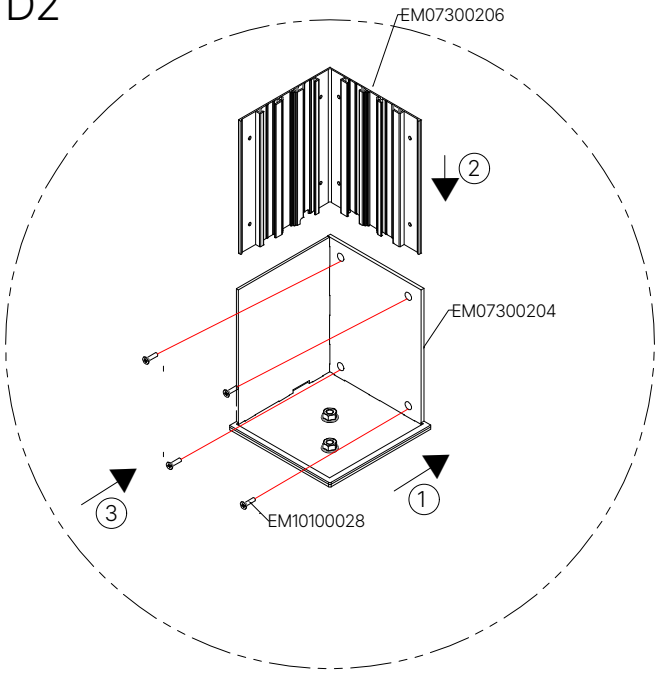


When installing wall mounting accessories, attention should be paid to their height from the ground and the distances between them.

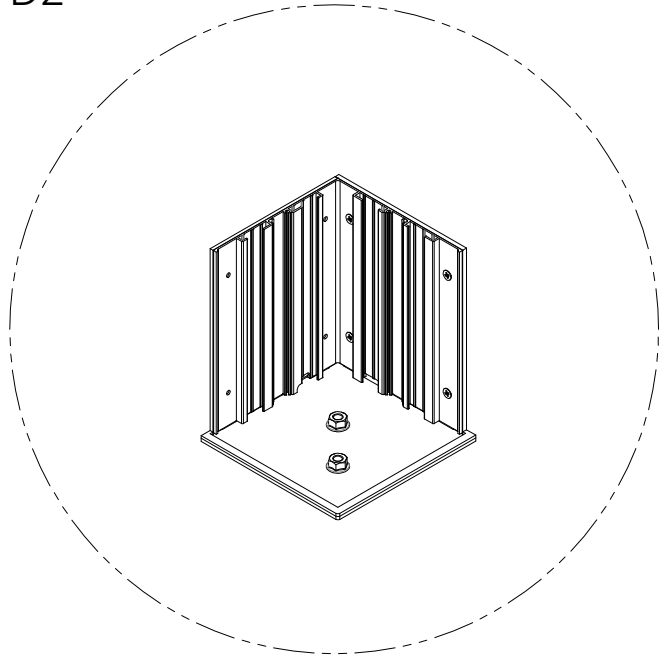


If your system is **3x3 meters**, then the X should be **300 cm**.
If your system is **3x4 meters**, then the X should be **404.8 cm**.
If your system is **3x5 meters**, then the X should be **509.6 cm**.

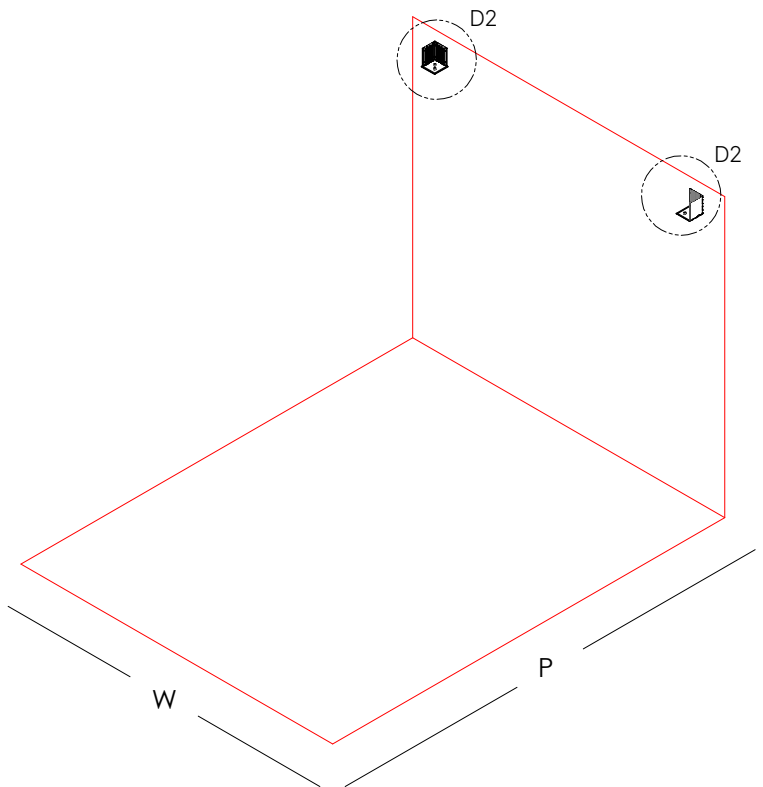
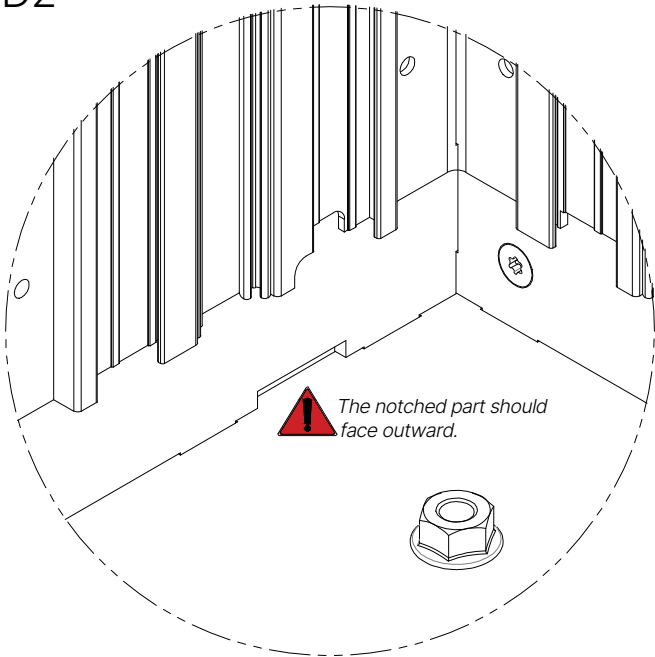
D2



D2

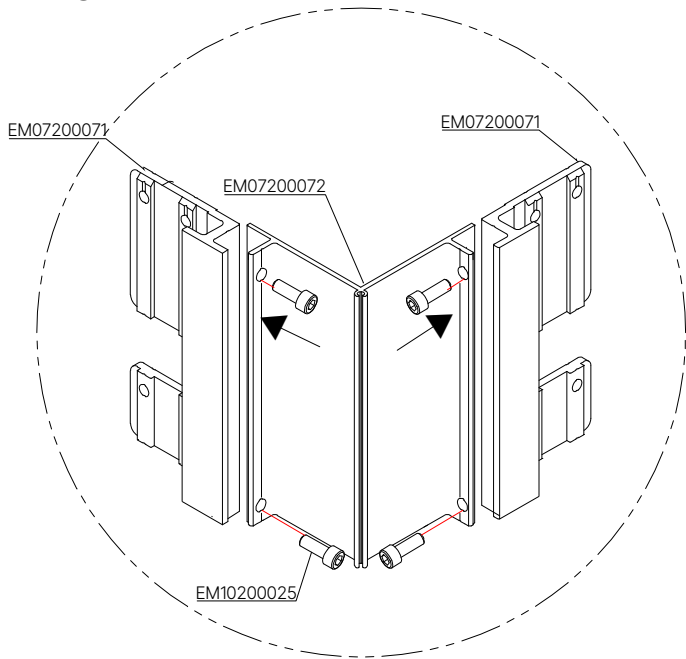


D2

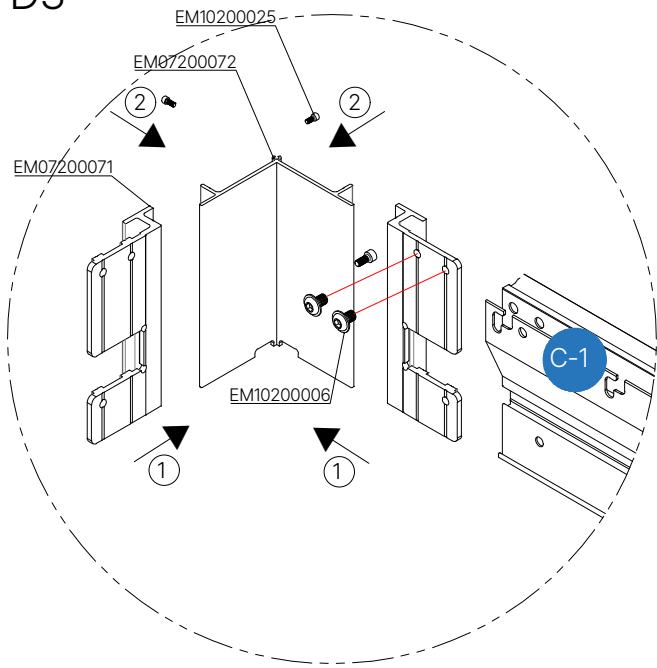


The wall anchor coded EM07300204 is placed in the position. The corner connection plate code EM07300206 is placed inside the anchor and fixed with screws code EM10100028.

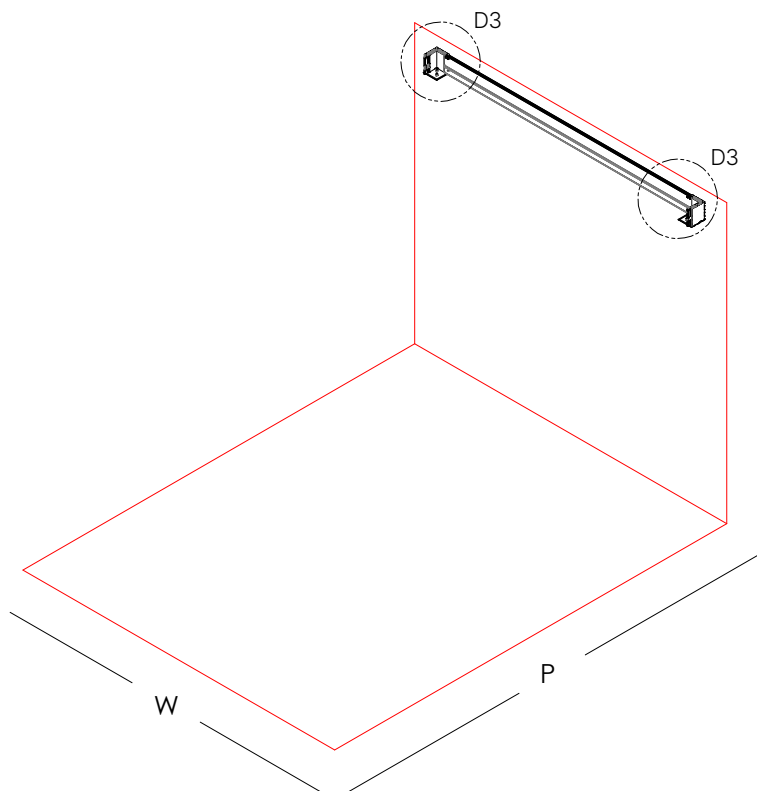
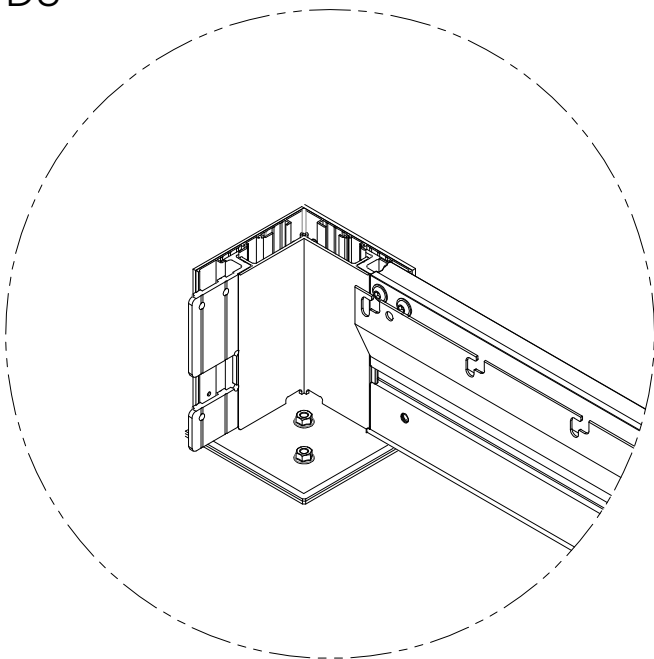
D3



D3

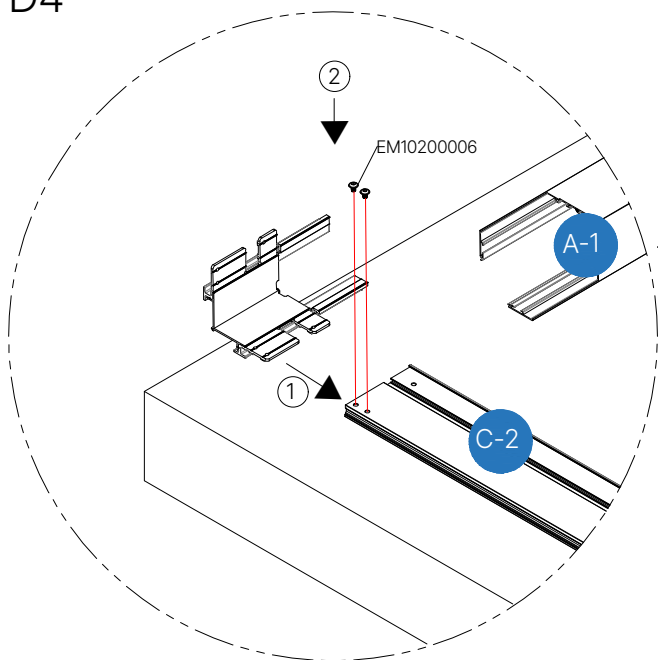


D3

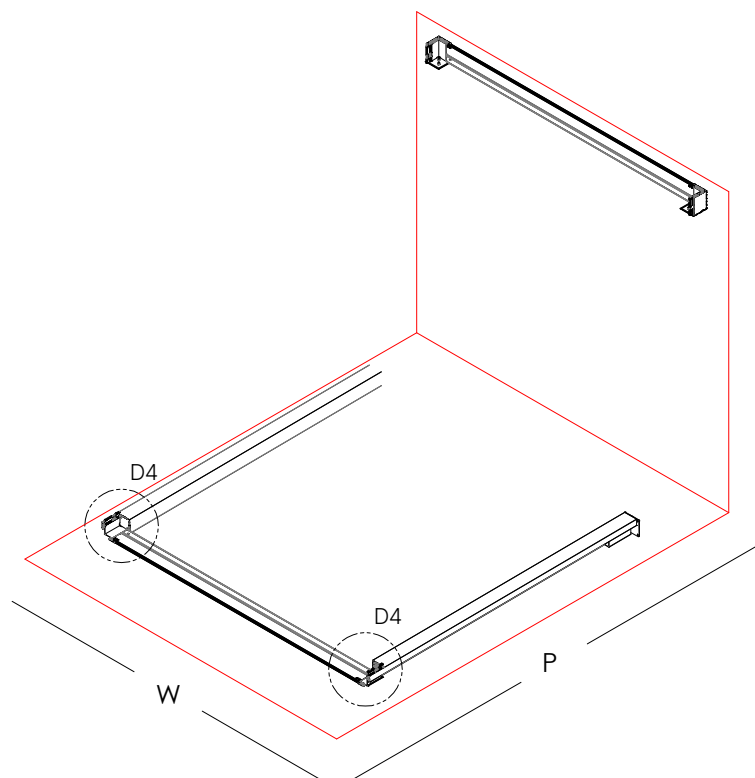
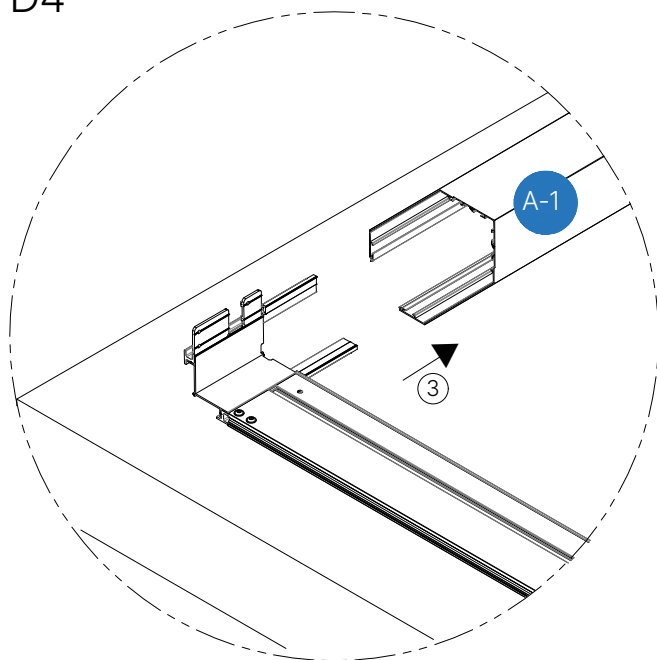


Corner connections are screwed onto the C1-coded profile.

D4

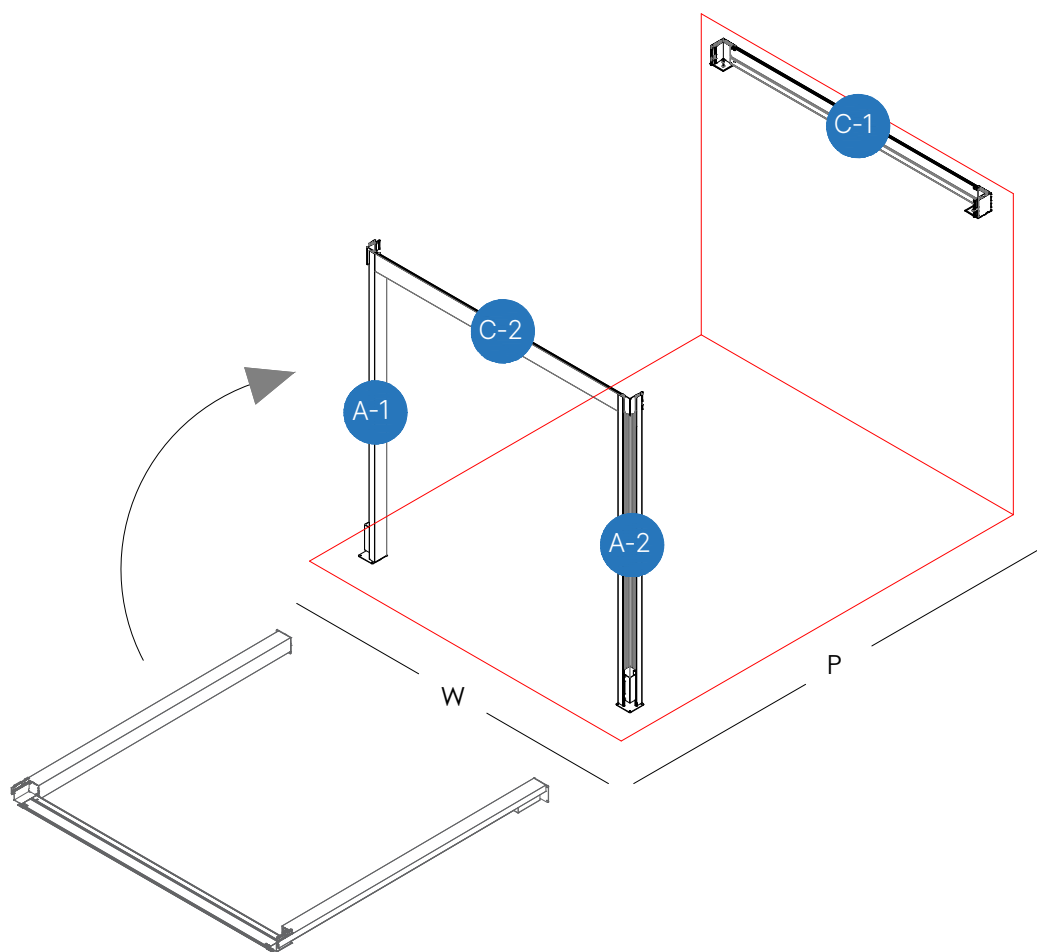
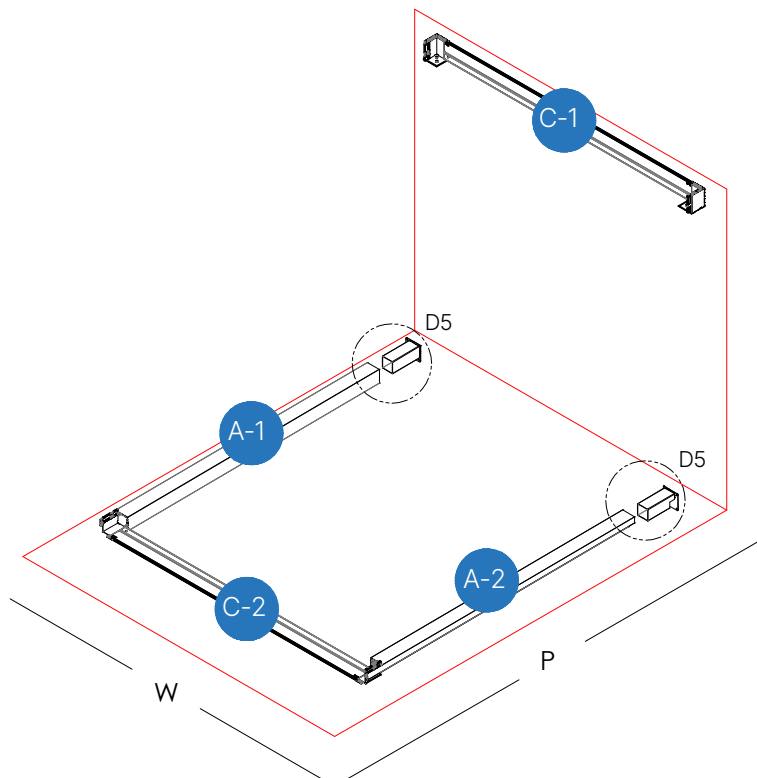
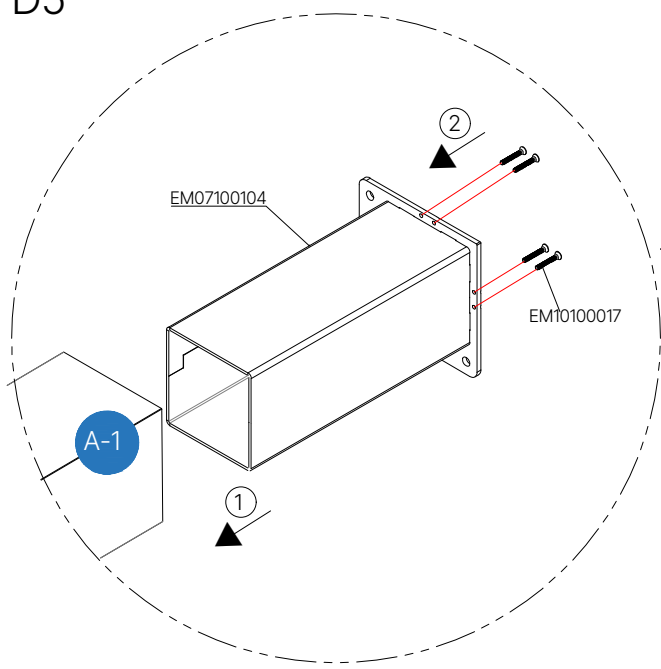


D4



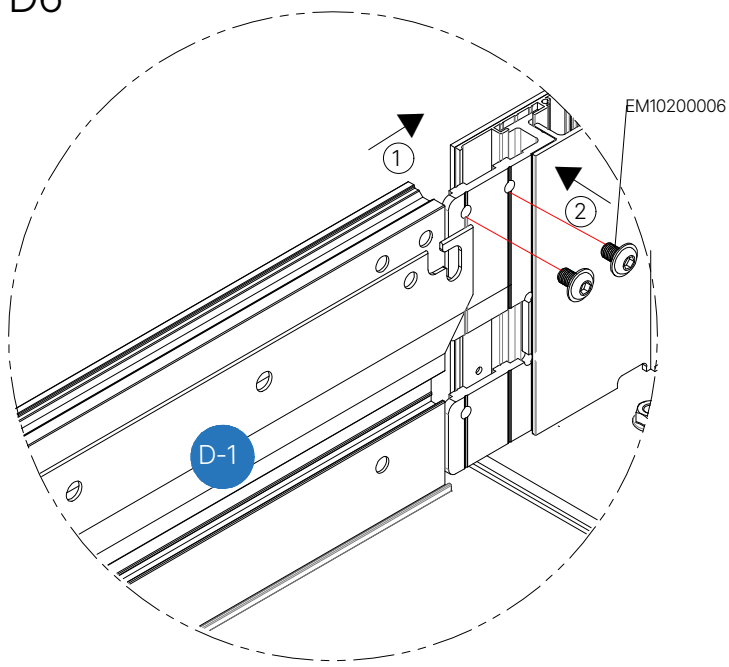
The C2 coded profile with corner connections fixed is inserted into the pillars (M7037). It is screwed through the screw channels on the C2 profile as shown in the figure.

D5

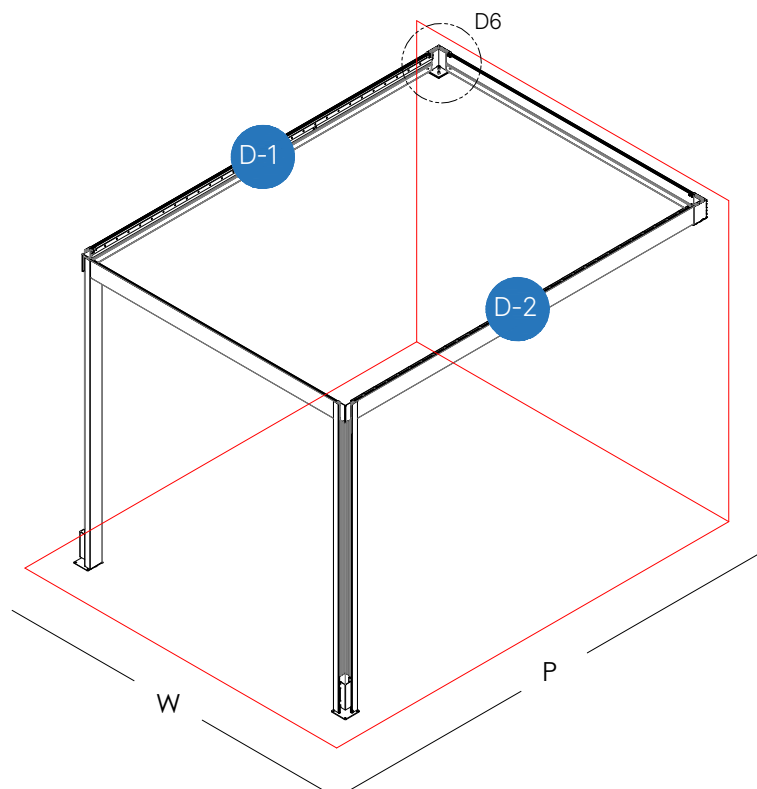
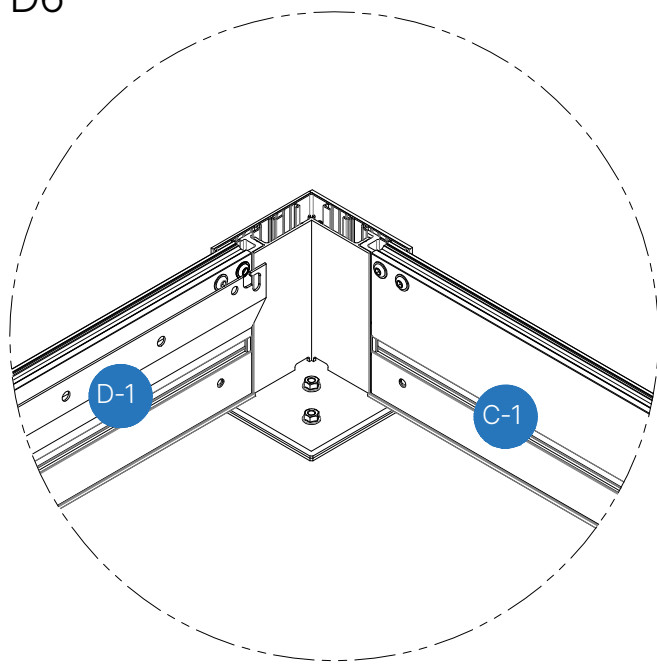


The accessory code EM07100104 is mounted on the pillars. The C2 coded profile, which is shaped like a U on the ground, is lifted as shown in the figure.

D6

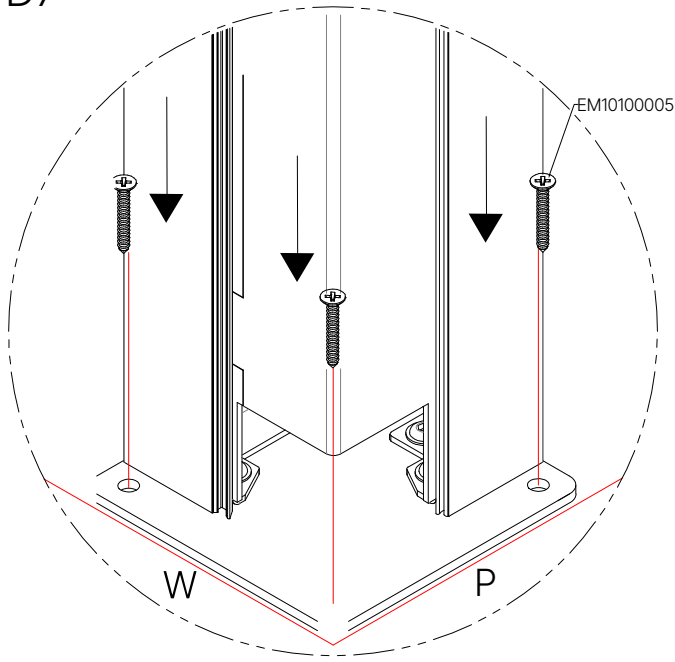


D6

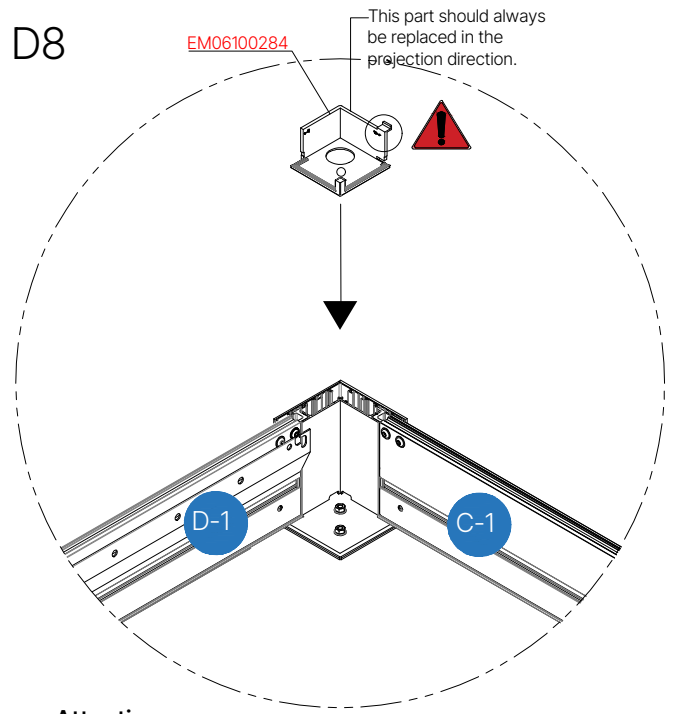


D1 coded profile is inserted to the corner connections as shown in the figure. It is fixed with corner connections by inserting screws with code EM10200006 from the screw channels on the right and left of the profile.

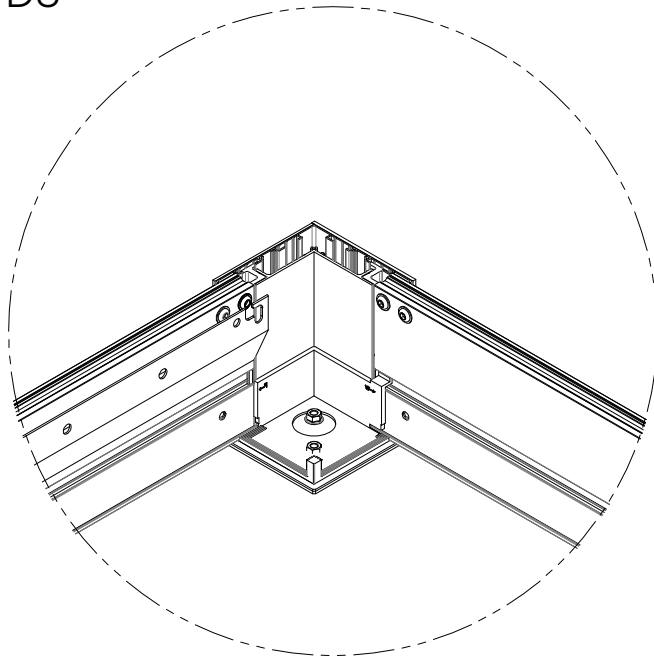
D7



D8



D8



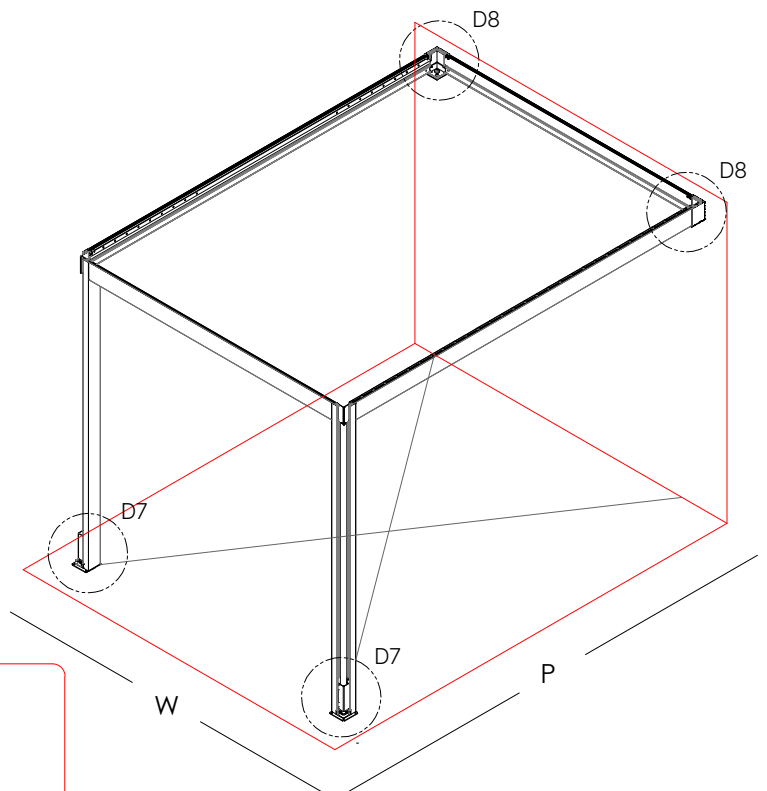
Attention

Apply the cable detail only to the accessory on the motor side. Watch the video titled "Step 5" for a detailed view.



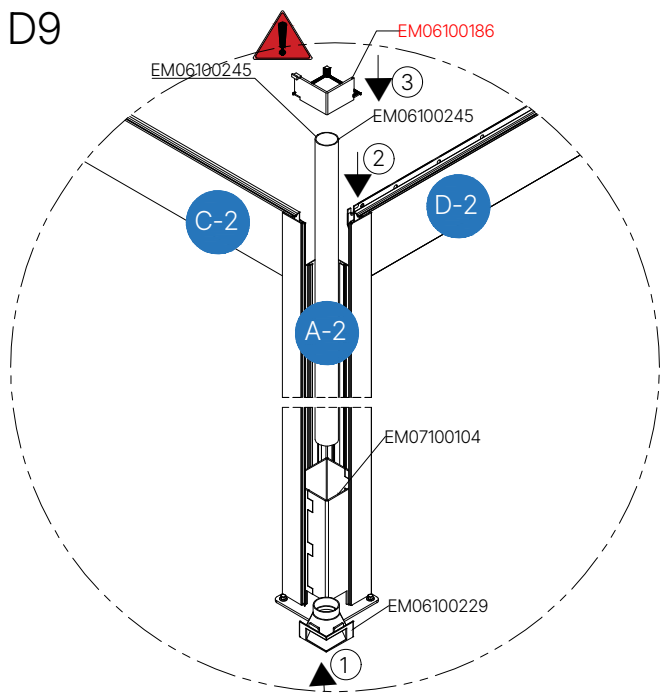
Diagonal size should be checked.

If your system is 3x3 meters, then the diagonal measurement should be 405.8 cm.
 If your system is 3x4 meters, then the diagonal measurement should be 485.6 cm.
 If your system is 3x5 meters, then the diagonal measurement should be 573.5 cm.

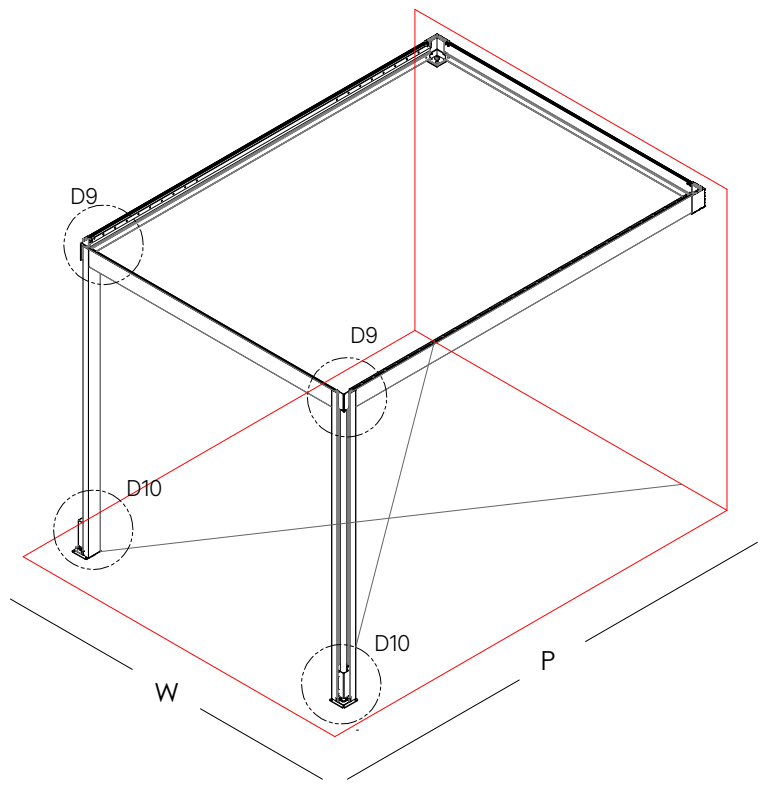
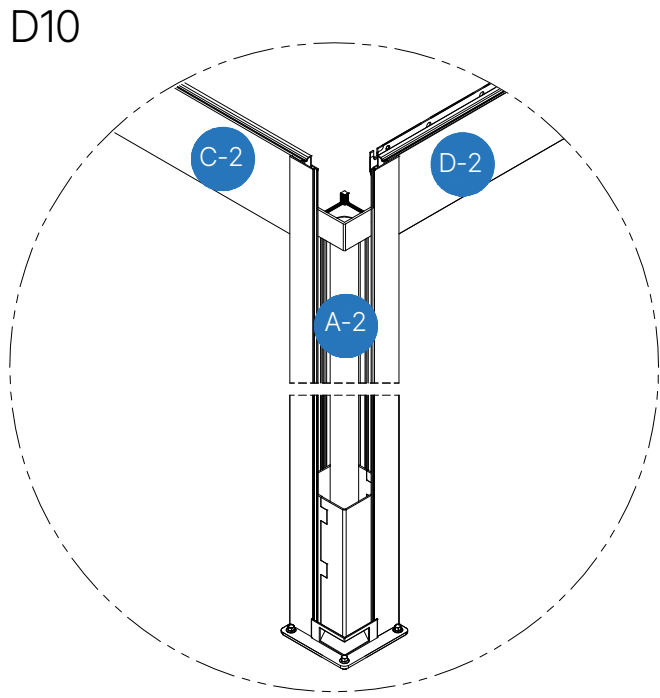


As shown in the figure, the diagonal dimensions of the system are checked. If the measurement is not correct, it is brought to the required size and the system is fixed by using ground screws. Water drain plugs are attached to the pillars on the front of the system. The pipe is passed from above and attached to the plugs. Rubbers are attached to the four corners. The rubbers on the part where the pipe is located (the two rubbers on the front face of the system) should be cut with a carpet knife from the circular area.

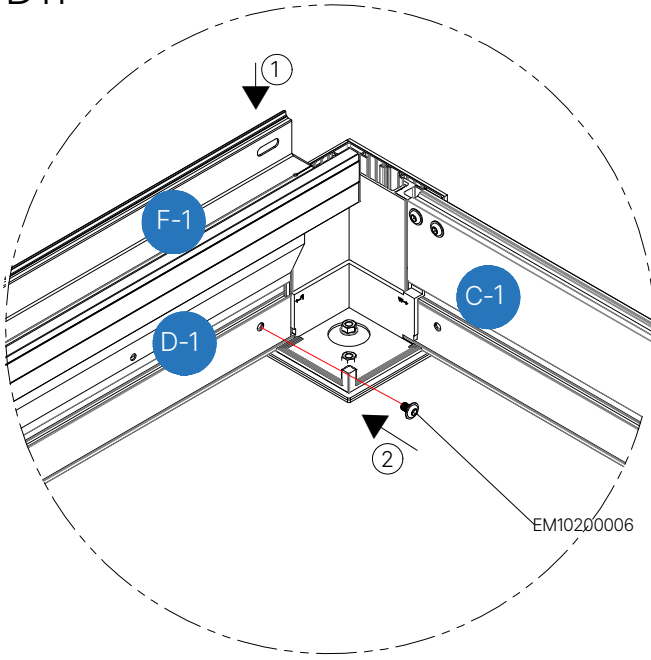
D9



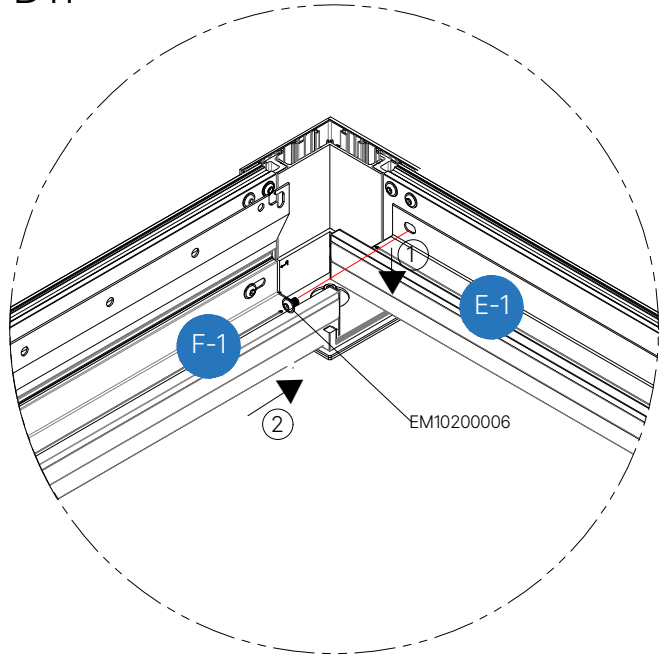
D10



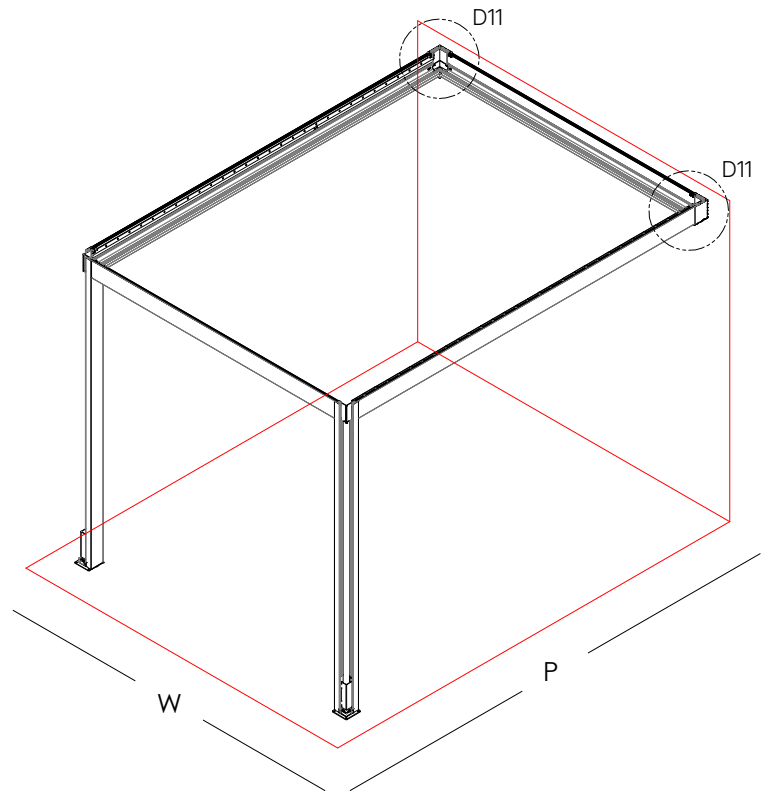
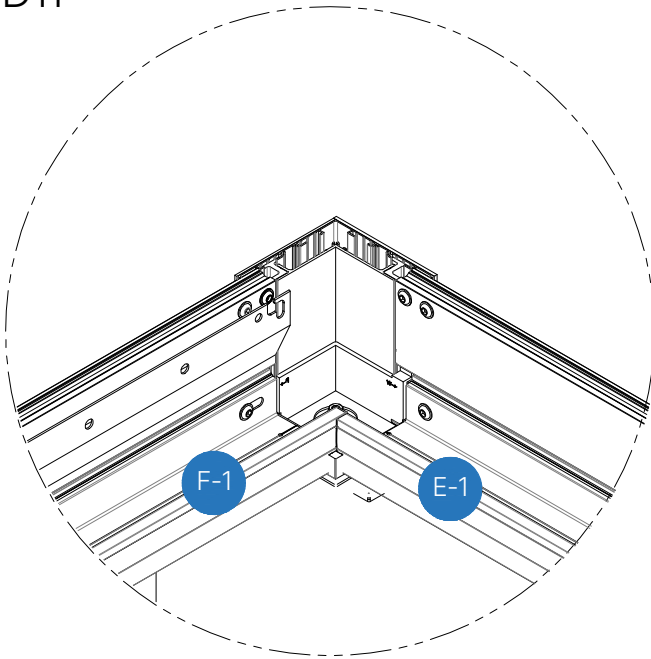
D11



D11

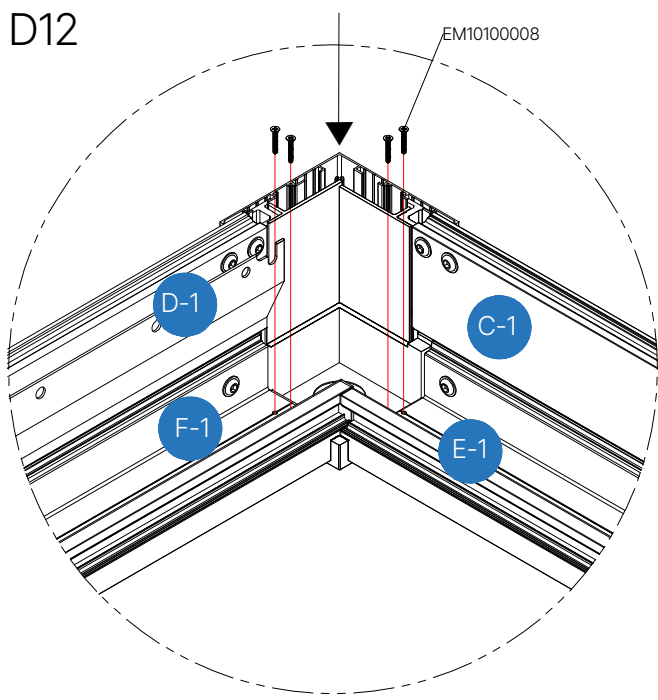


D11

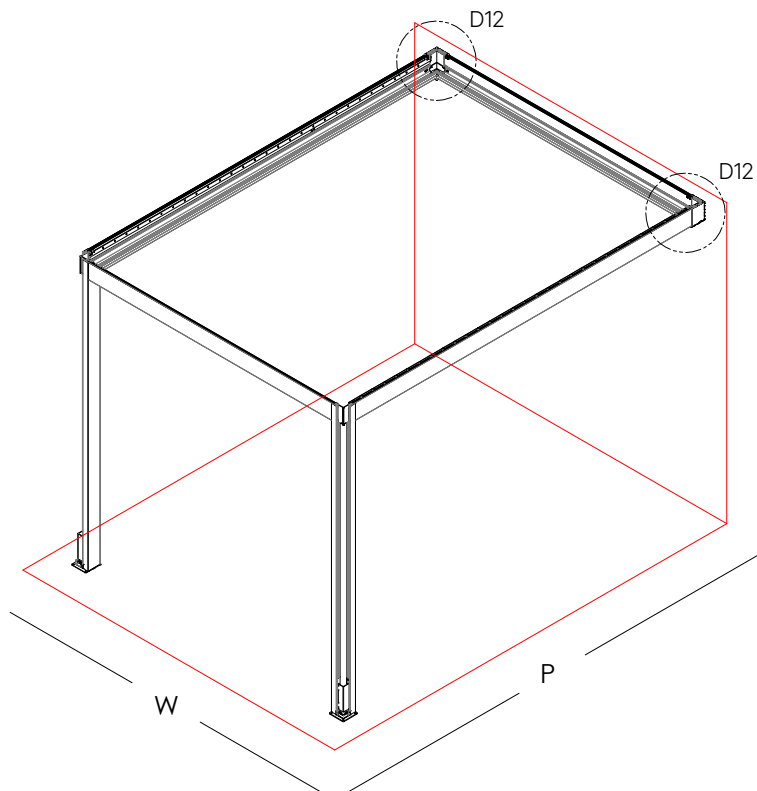
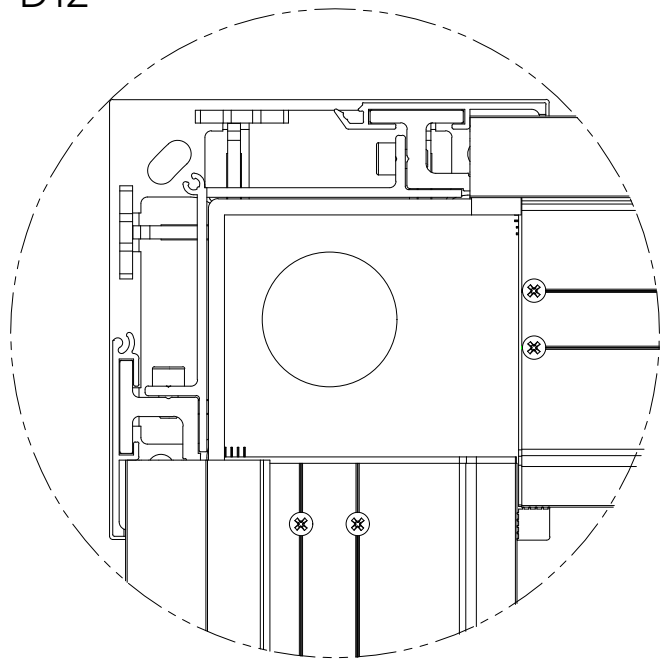


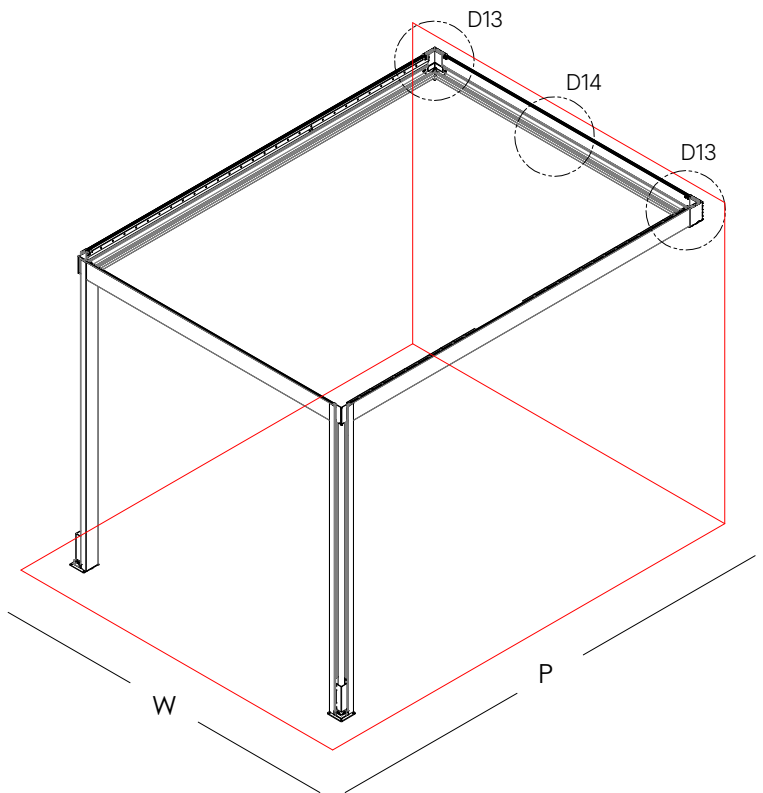
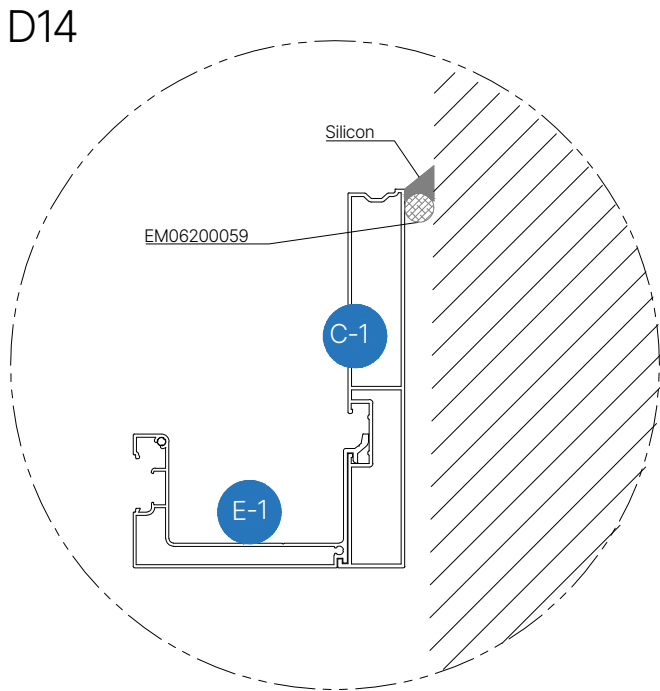
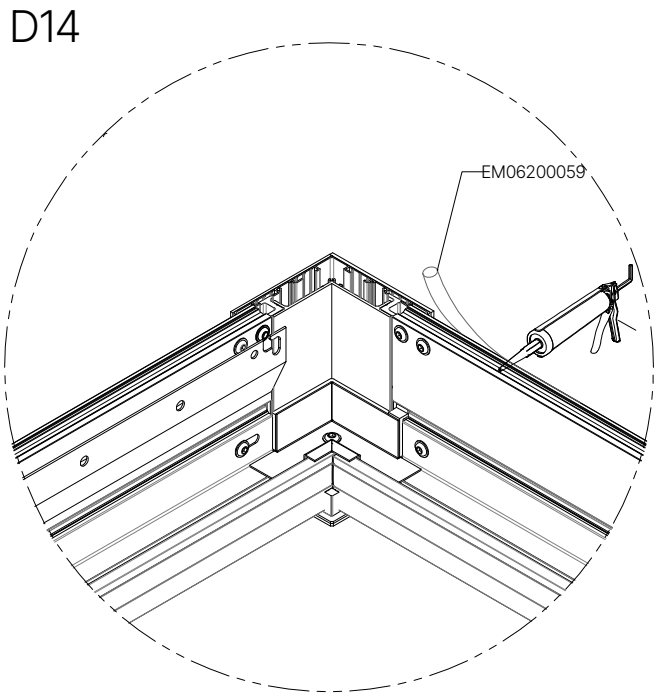
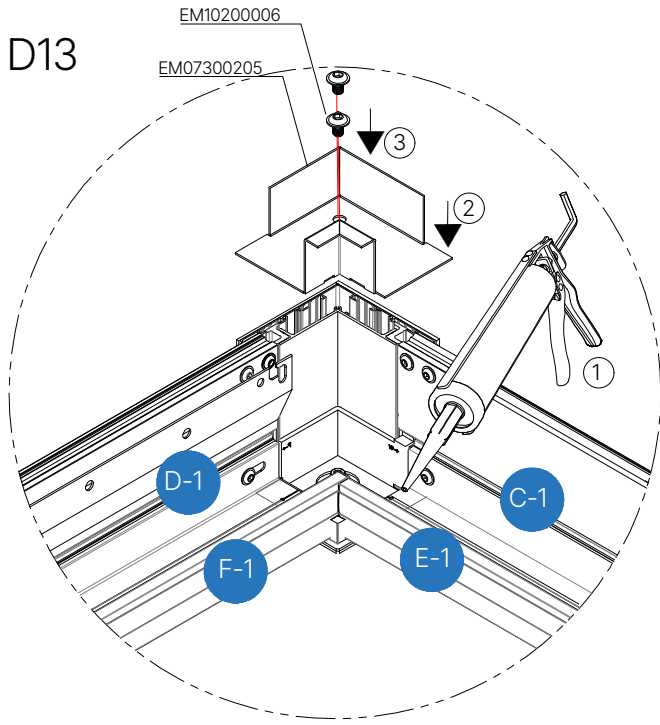
All gutters are fixed by screwing them from above with the screw code EM10100008 from each corner as shown in the figure.

D12



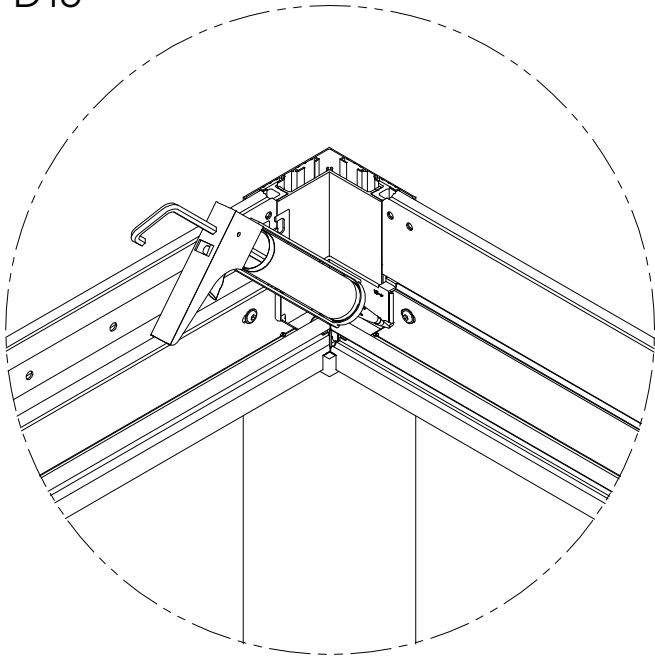
D12



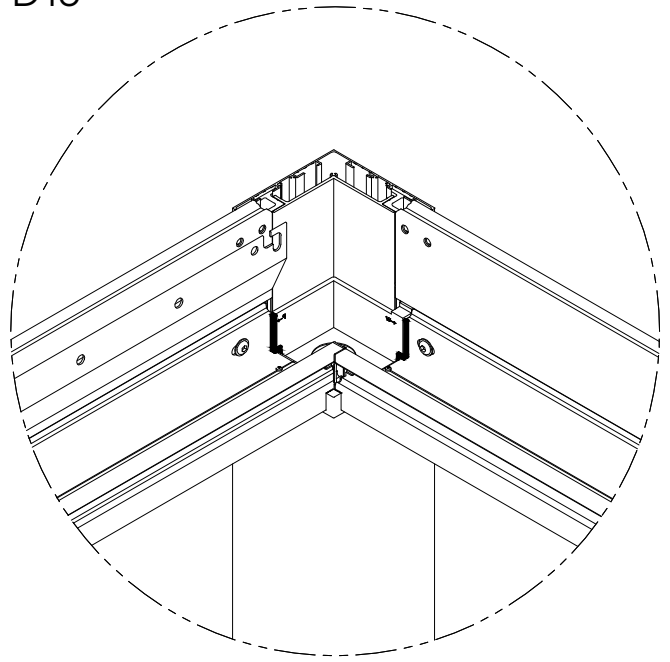


Inner corner plates coded EM07300205 are attached to the wall connection corners as shown in the figure and fixed with screws coded EM10200006.

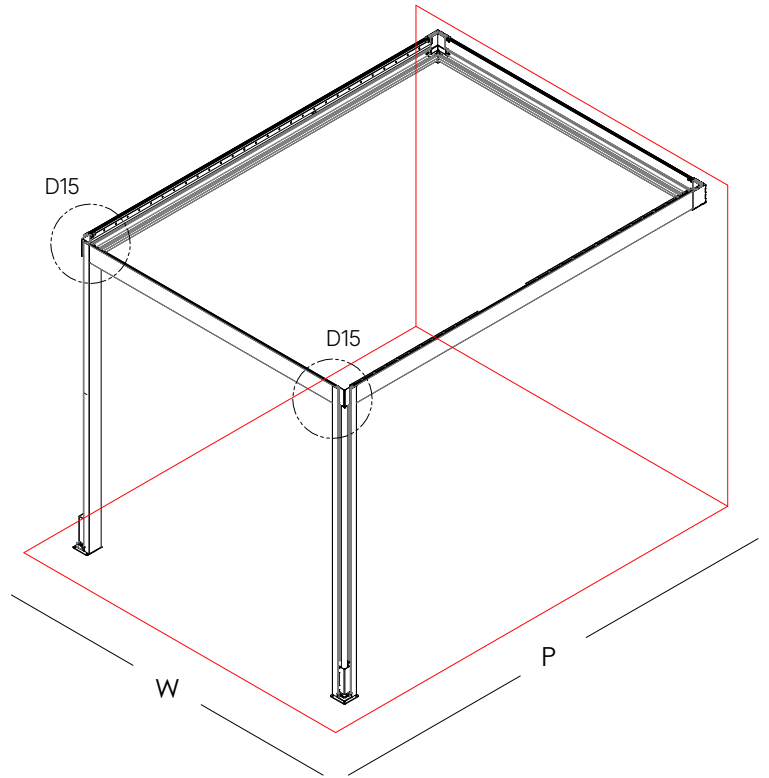
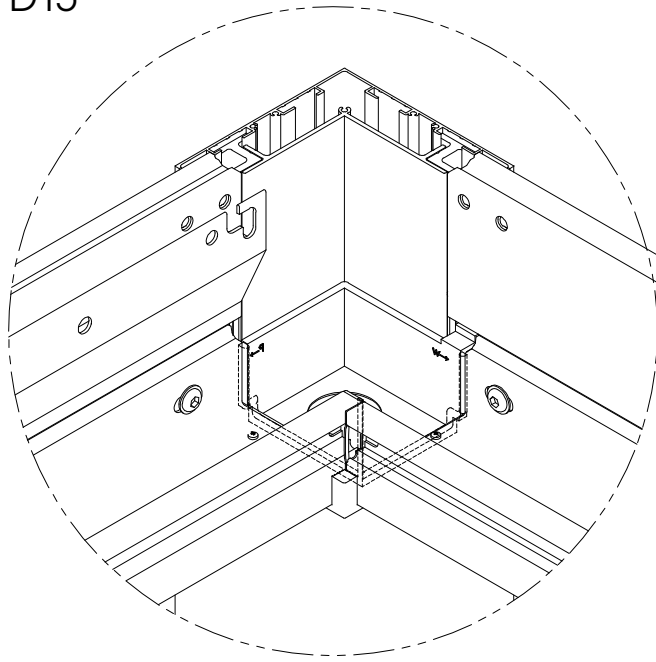
D15



D15

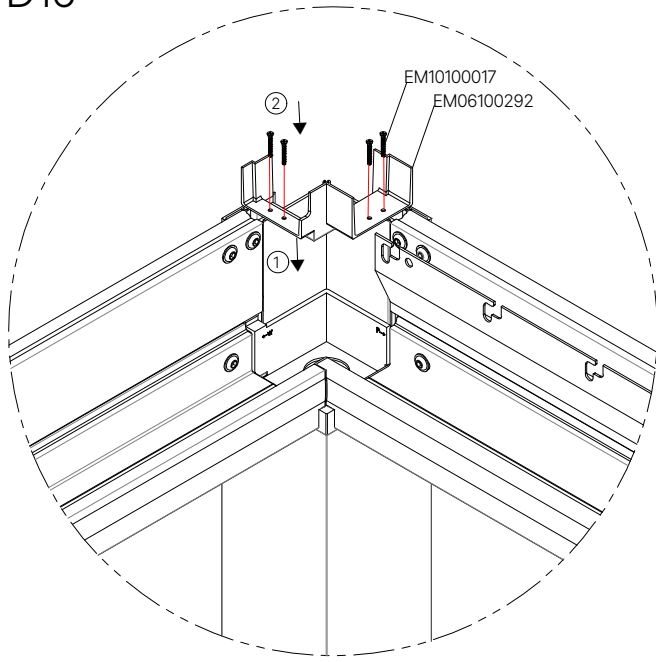


D15

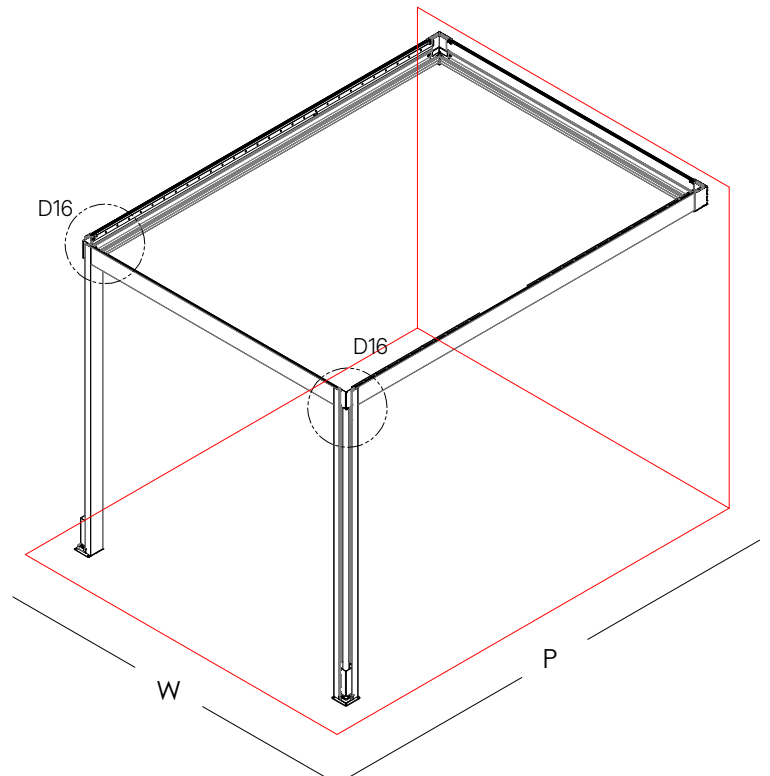
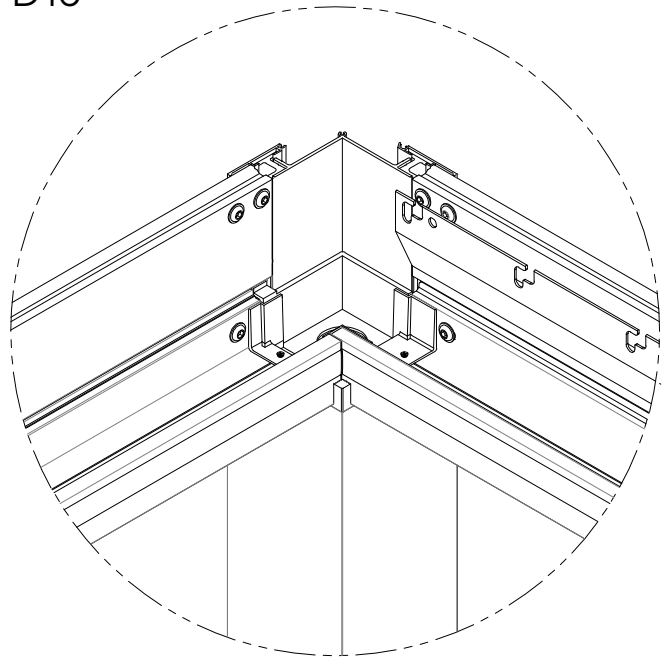


Silicone should be applied to the junction of the rubbers (EM06100186) on the 2 corners, as shown in the figure.

D16



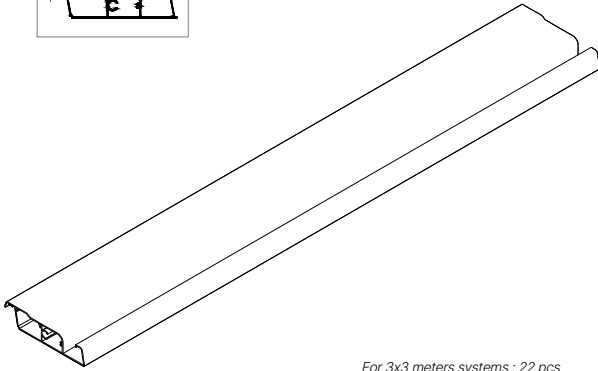
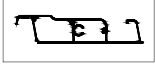
D16



All gutters are fixed by screwing them from above with the screw code EM10100017 from each corner as shown in the figure.

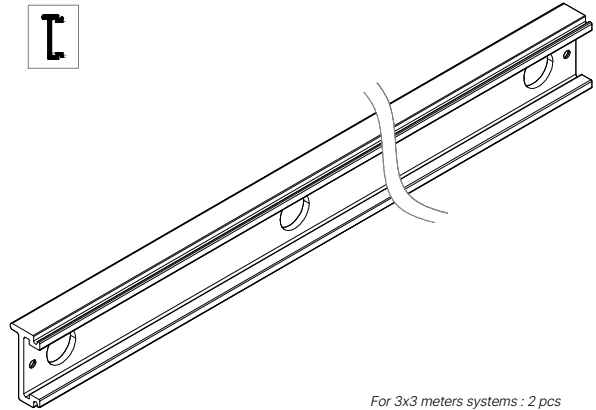
Ecoclimatic Profiles For Second Step

M7032



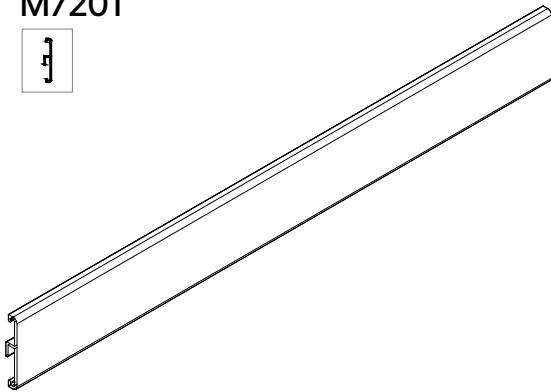
For 3x3 meters systems : 22 pcs
 For 3x4 meters systems : 30 pcs
 For 3x5 meters systems : 38 pcs

M7031



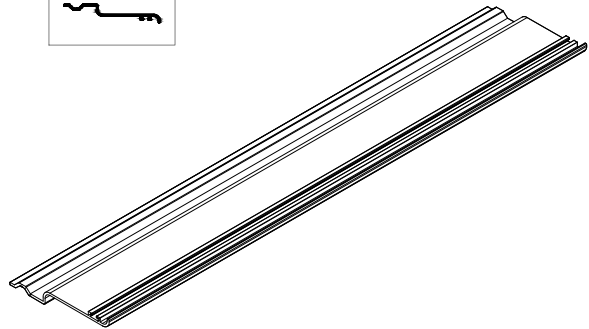
For 3x3 meters systems : 2 pcs
 For 3x4 meters systems : 2 pcs
 For 3x5 meters systems : 2 pcs

M7201



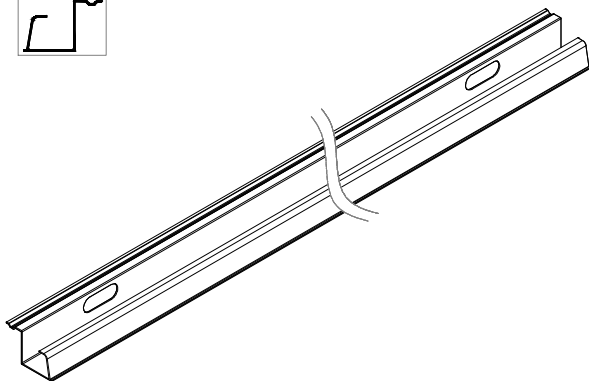
For 3x3 meters systems : 2 pcs
 For 3x4 meters systems : 2 pcs
 For 3x5 meters systems : 2 pcs

M7029



For 3x3 meters systems : 2 pcs
 For 3x4 meters systems : 2 pcs
 For 3x5 meters systems : 2 pcs

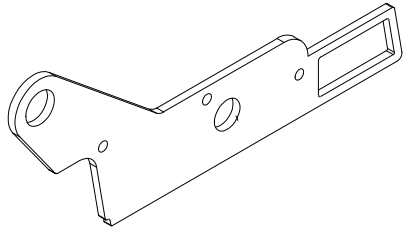
M7030



For 3x3 meters systems : 2 pcs
 For 3x4 meters systems : 2 pcs
 For 3x5 meters systems : 2 pcs

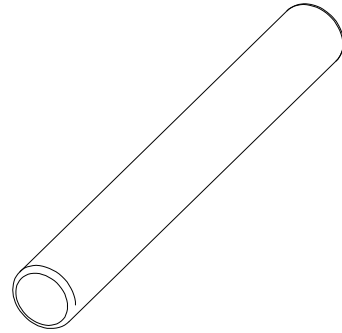
Ecoclimatic Accessories For Second Step

EM07200091



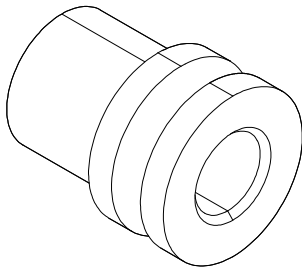
*For 3x3 meters systems : 43 pcs
For 3x4 meters systems : 59 pcs
For 3x5 meters systems : 75 pcs*

EM07300164



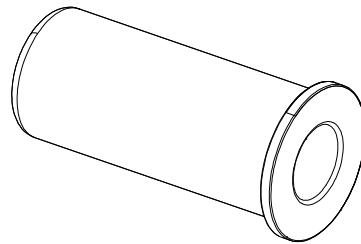
*For 3x3 meters systems : 44 pcs
For 3x4 meters systems : 60 pcs
For 3x5 meters systems : 76 pcs*

EM06100202



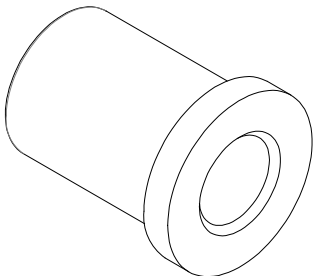
*For 3x3 meters systems : 22 pcs
For 3x4 meters systems : 30 pcs
For 3x5 meters systems : 38 pcs*

EM06100203



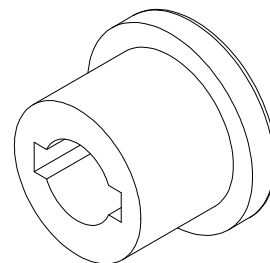
*For 3x3 meters systems : 1 pcs
For 3x4 meters systems : 1 pcs
For 3x5 meters systems : 1 pcs*

EM06100228
motor side



*For 3x3 meters systems : 22 pcs
For 3x4 meters systems : 30 pcs
For 3x5 meters systems : 38 pcs*

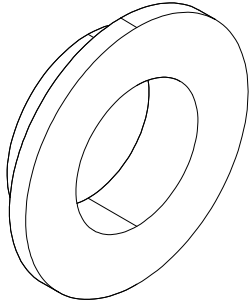
EM06100208



*For 3x3 meters systems : 1 pcs
For 3x4 meters systems : 1 pcs
For 3x5 meters systems : 1 pcs*

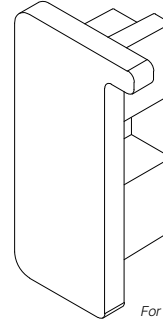
Ecoclimatic Accessories For Second Step

EM06100184



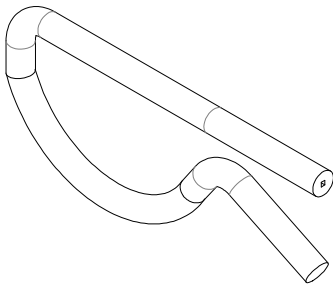
*For 3x3 meters systems : 44 pcs
For 3x4 meters systems : 60 pcs
For 3x5 meters systems : 76 pcs*

**EM06100279 - (Black)
EM06100278 - (White)**



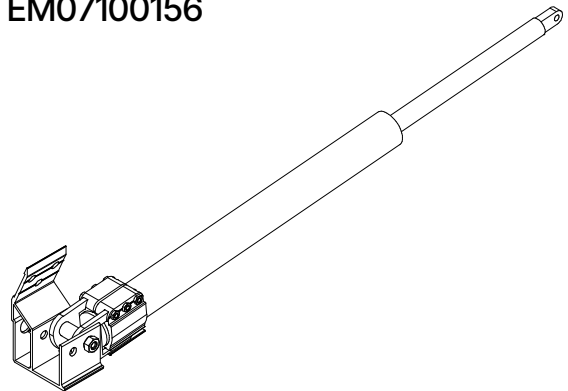
*For 3x3 meters systems : 4 pcs
For 3x4 meters systems : 4 pcs
For 3x5 meters systems : 4 pcs*

EM07400027



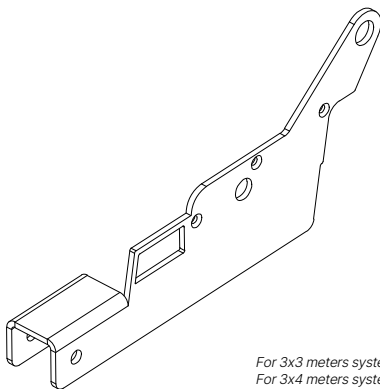
*For 3x3 meters systems : 44 pcs
For 3x4 meters systems : 60 pcs
For 3x5 meters systems : 76 pcs*

EM07100156



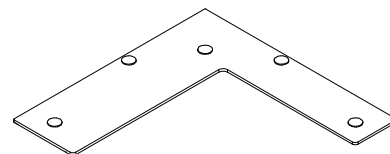
*For 3x3 meters systems : 1 pcs
For 3x4 meters systems : 1 pcs
For 3x5 meters systems : 1 pcs*

EM07100166



*For 3x3 meters systems : 1 pcs
For 3x4 meters systems : 1 pcs
For 3x5 meters systems : 1 pcs*

EM07100105

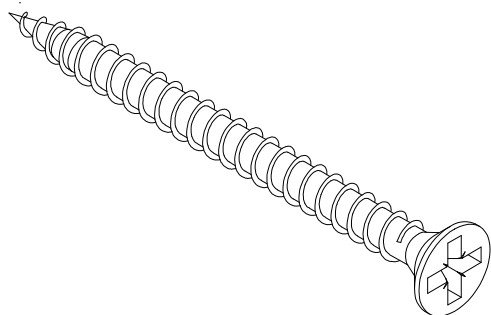


*For 3x3 meters systems : 4 pcs
For 3x4 meters systems : 4 pcs
For 3x5 meters systems : 4 pcs*

Ecoclimatic Accessories For Second Step

EM10100006

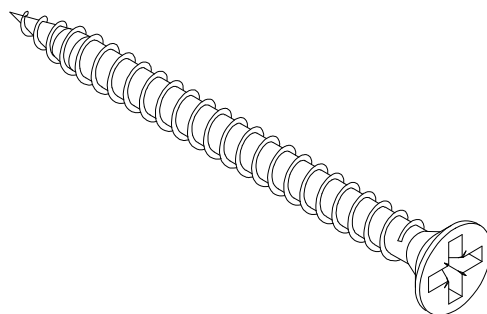
3,9x12mm Screw



For 3x3 meters systems : 4 pcs
For 3x4 meters systems : 4 pcs
For 3x5 meters systems : 4 pcs

EM10100007

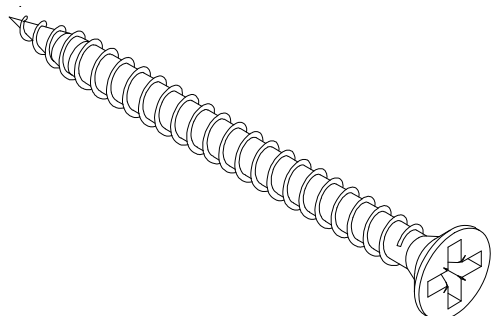
3,9x30mm Screw



For 3x3 meters systems : 132 pcs
For 3x4 meters systems : 180 pcs
For 3x5 meters systems : 228 pcs

EM10100030

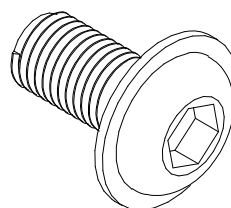
3,9x25mm Screw



For 3x3 meters systems : 30 pcs
For 3x4 meters systems : 30 pcs
For 3x5 meters systems : 30 pcs

EM10200030

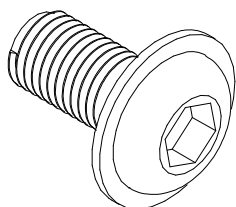
M6X35 Bolt



For 3x3 meters systems : 1 pcs
For 3x4 meters systems : 1 pcs
For 3x5 meters systems : 1 pcs

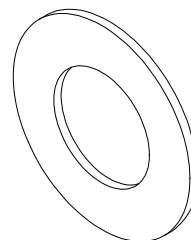
EM10200006

M8X12 Bolt



For 3x3 meters systems : 3 pcs
For 3x4 meters systems : 3 pcs
For 3x5 meters systems : 3 pcs

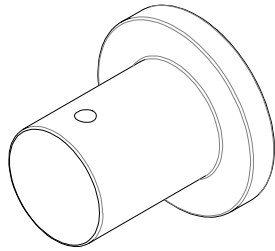
EM10400005



For 3x3 meters systems : 44 pcs
For 3x4 meters systems : 60 pcs
For 3x5 meters systems : 76 pcs

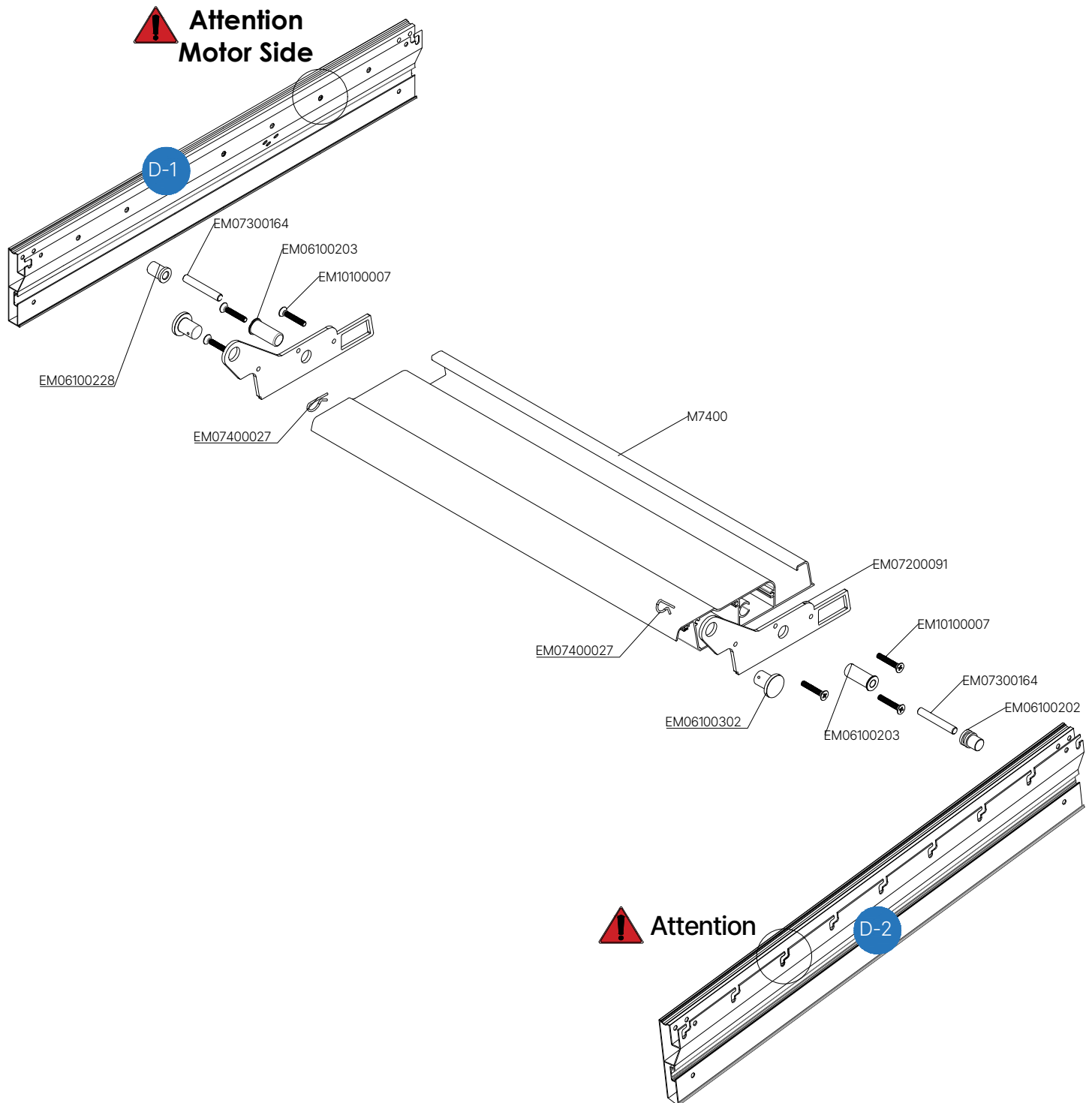
Ecoclimatic Accessories For Second Step

EM06100302

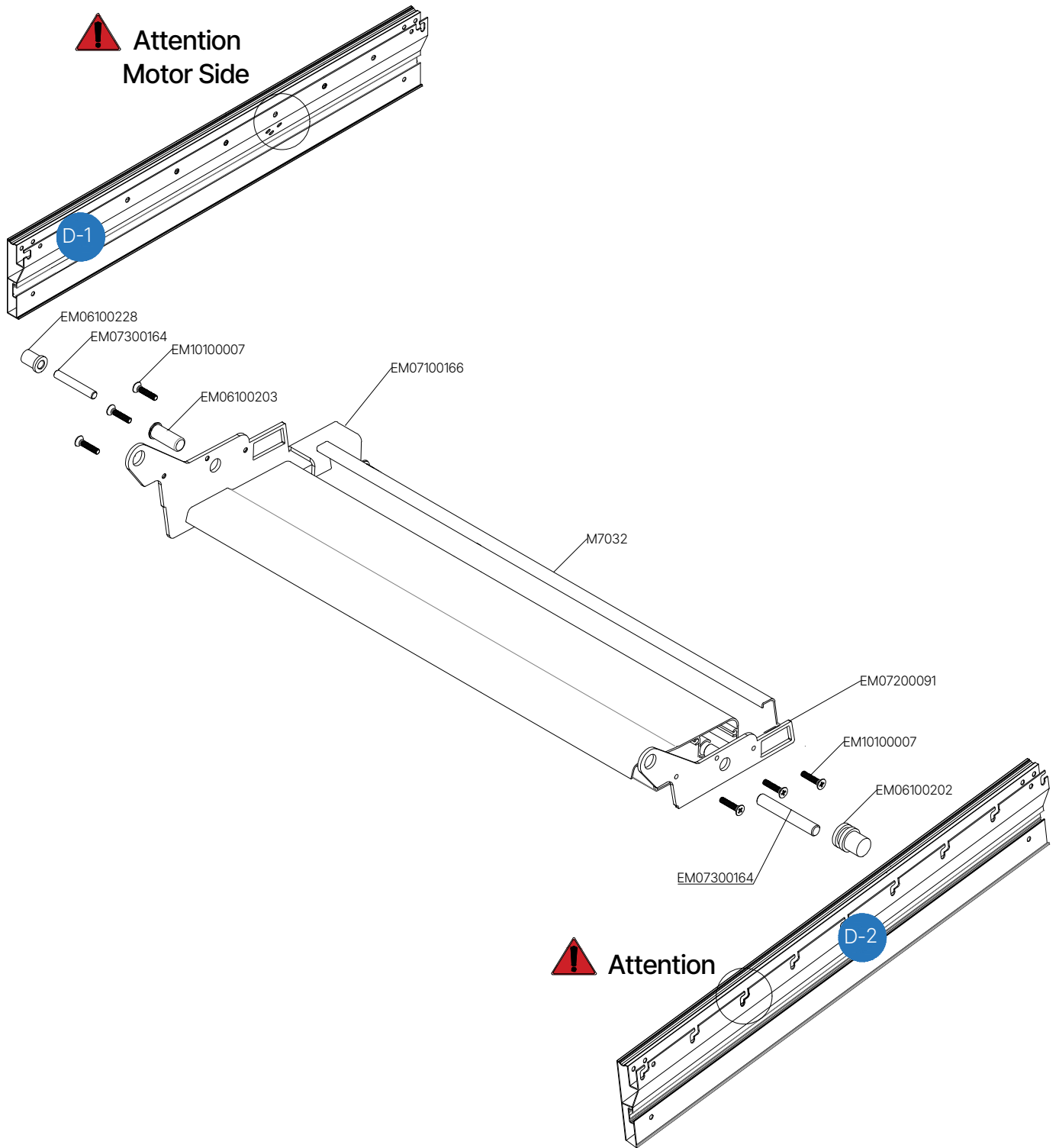


*For 3x3 meters systems : 44 pcs
For 3x4 meters systems : 60 pcs
For 3x5 meters systems : 76 pcs*

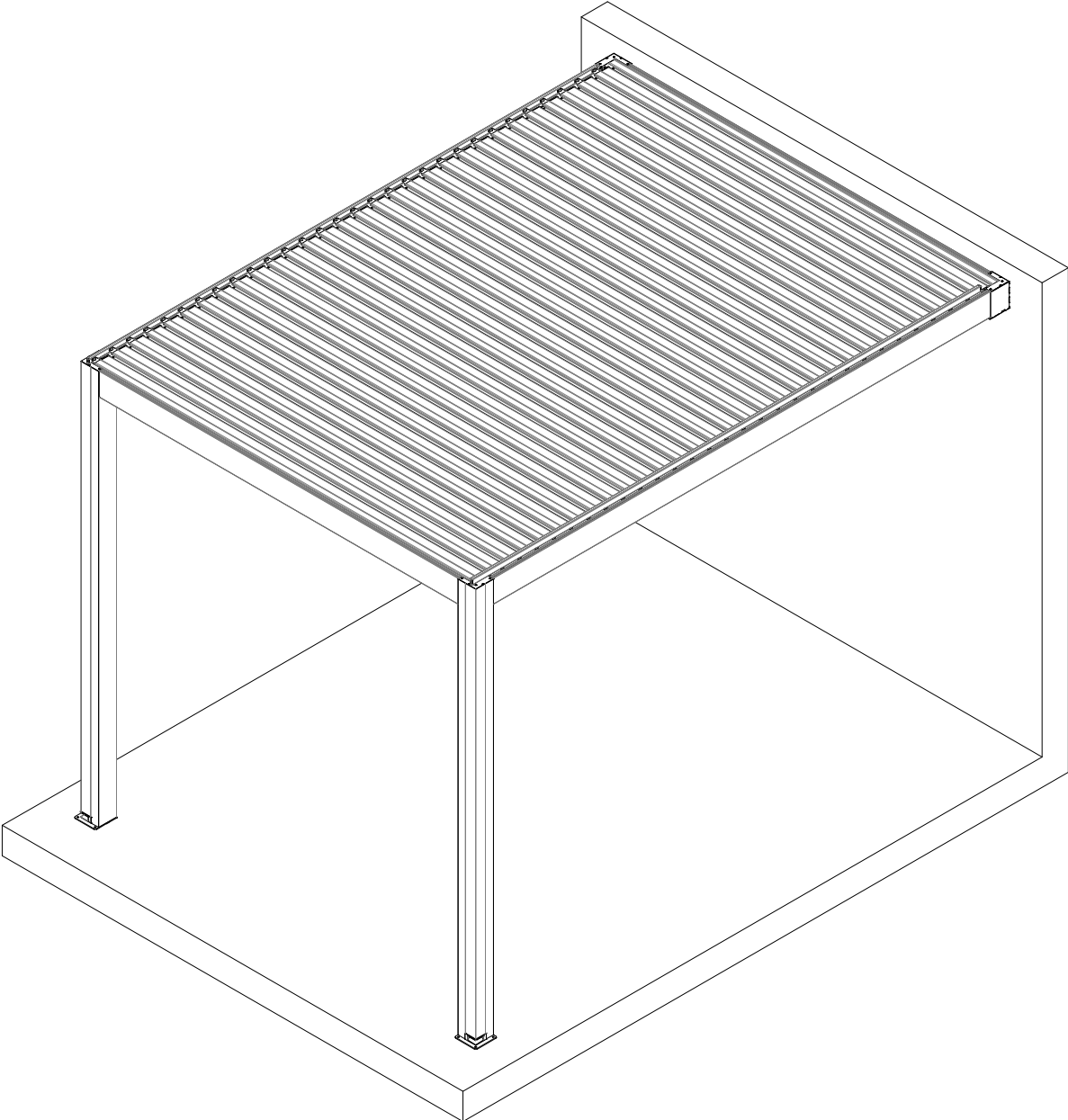
Ecoclimatic Second Step : Preparing Blades

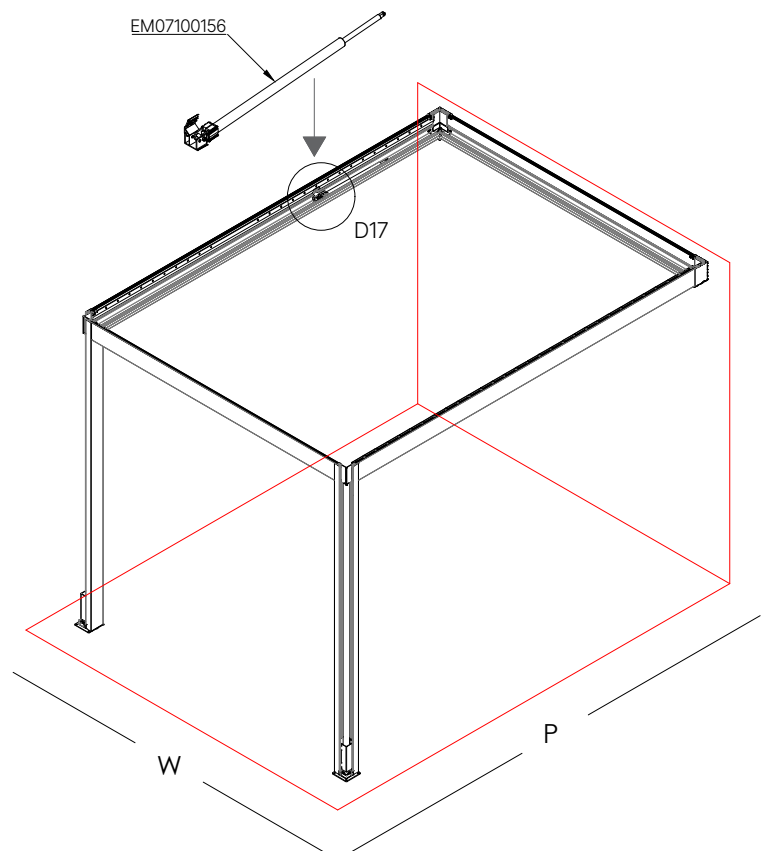
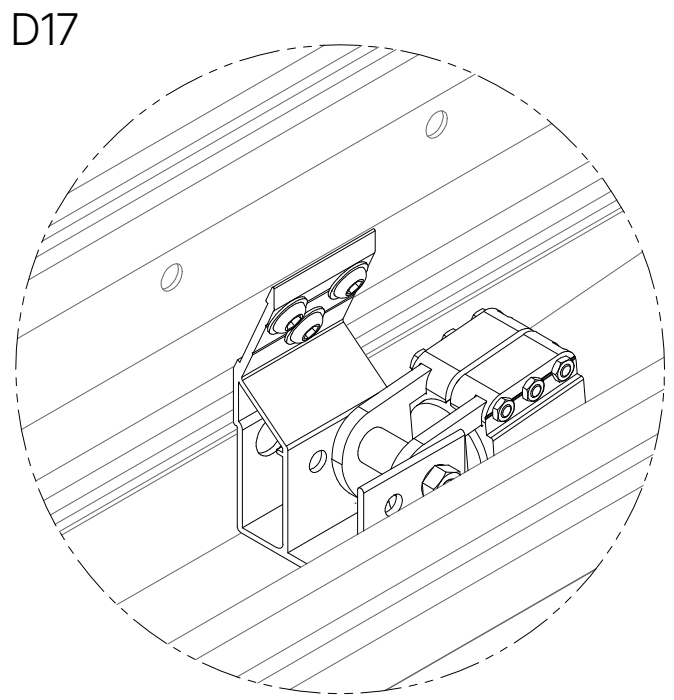
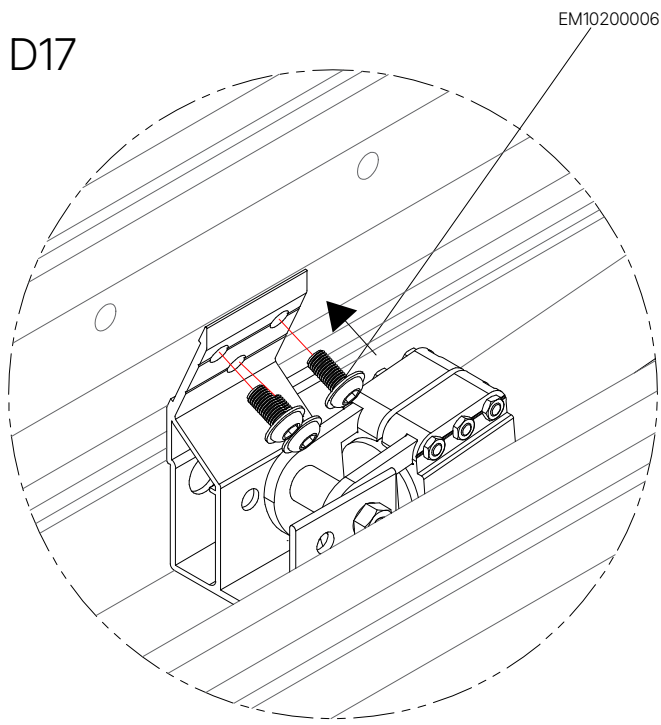


Ecoclimatic Second Step : Preparing Motor Blade



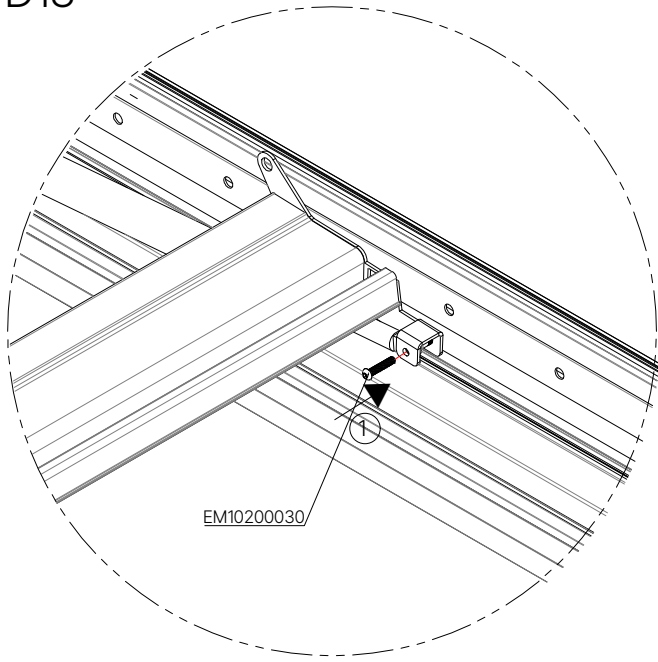
Ecoclimatic Second Step : Mounting Roof



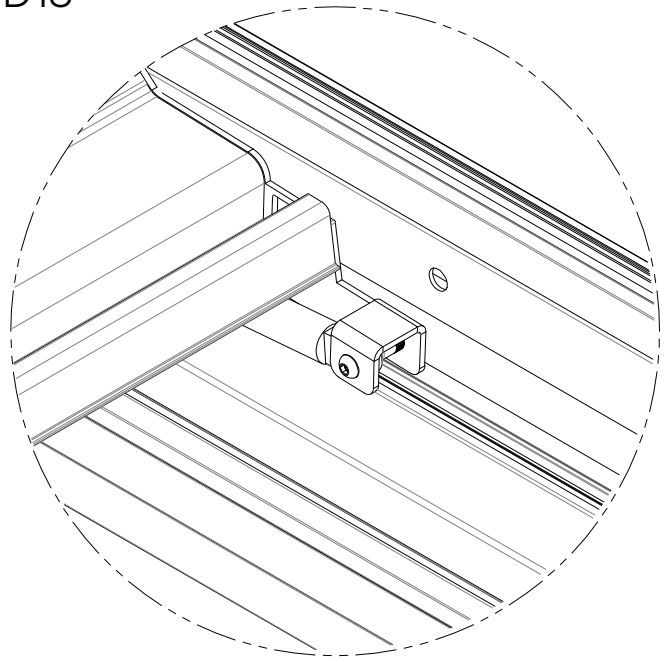


The EM07100156 coded motor is placed and screwed into the 3 holes drilled on the D1 coded profile.

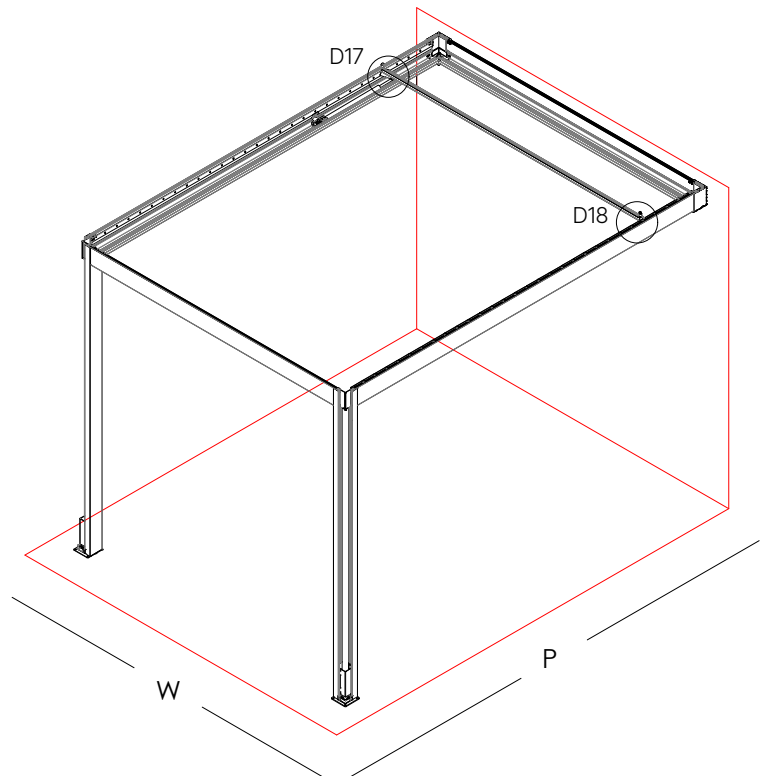
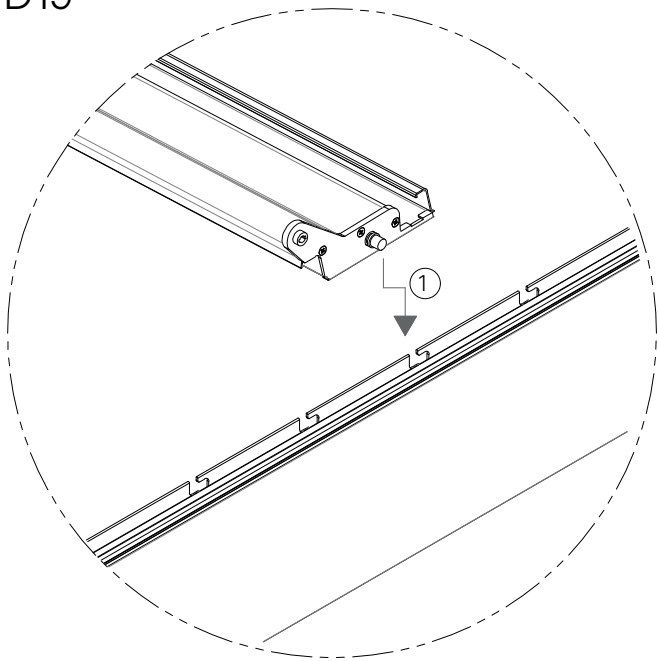
D18



D18



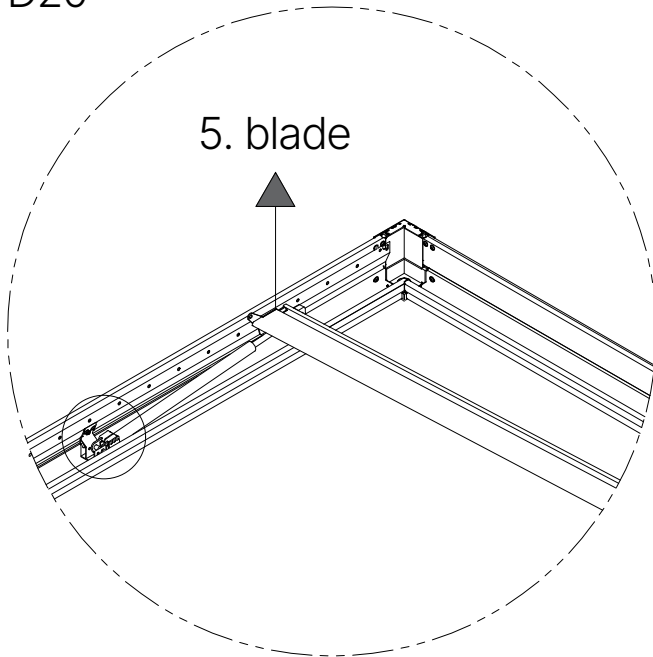
D19



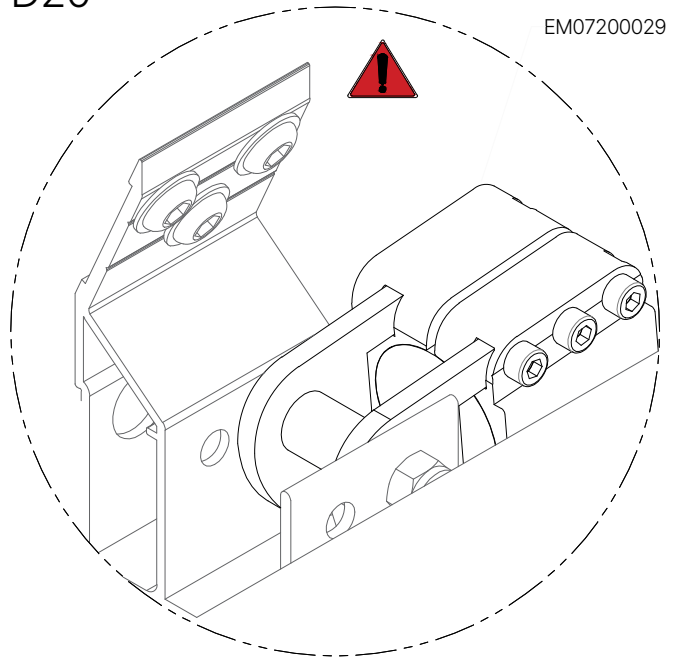
The previously prepared motor blade is connected to the motor and installed in the channels as shown above.

! This Detail Belongs to 3x3 and 3x4 Systems

D20

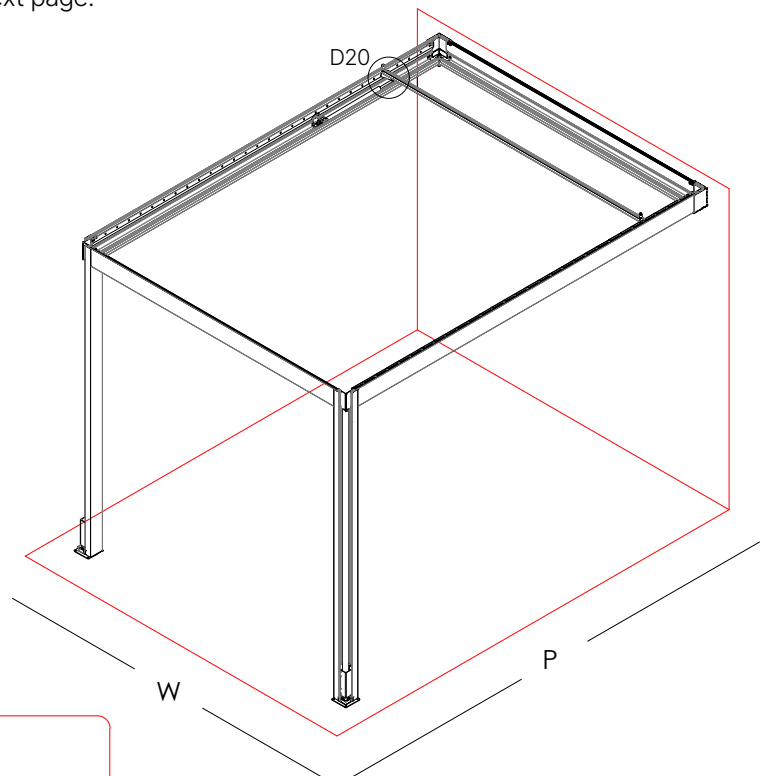


D20



! Attention

The details here apply to **3x3 and 3x4 meters**. This detail is also applied in the old version **3x5 meter** systems. If your system is **3x5 meters**, proceed to the next page.



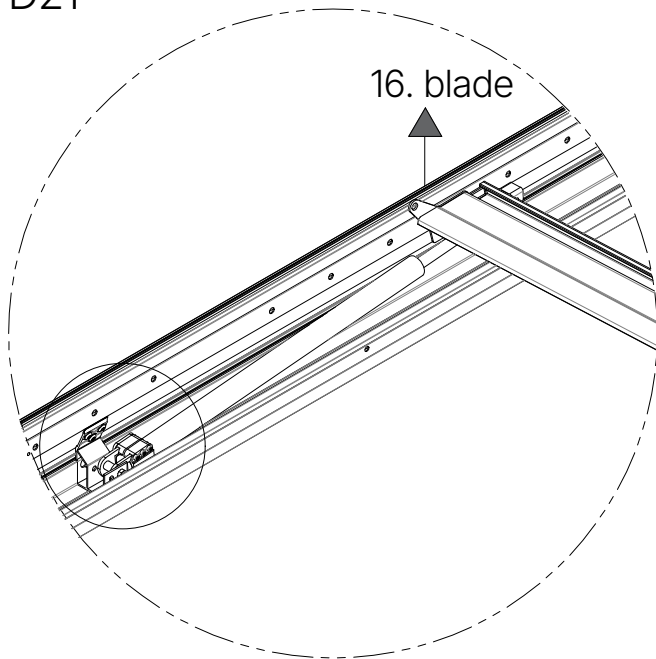
! Attention

Please see page 42 for instructions regarding LED and cable connection applications at this stage.

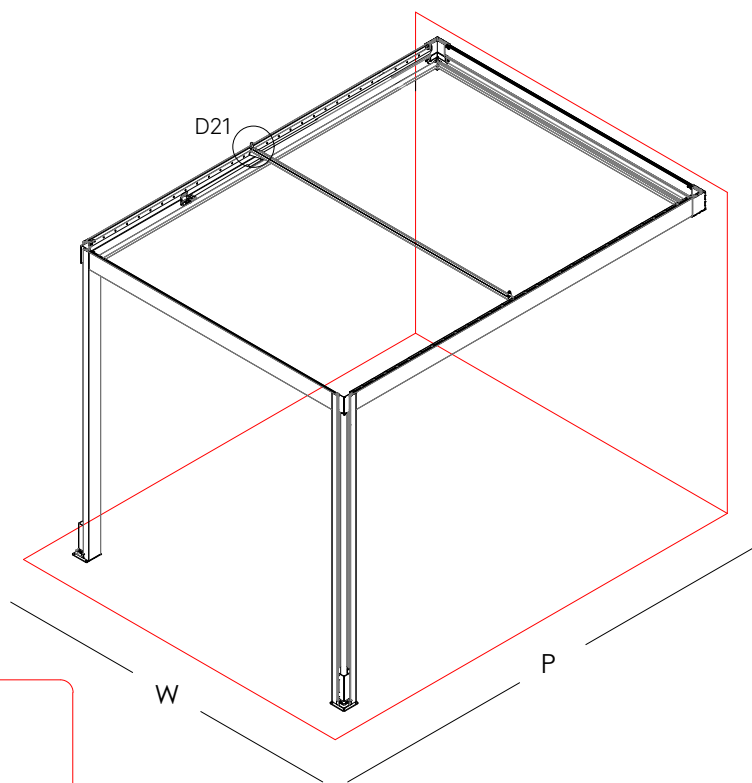
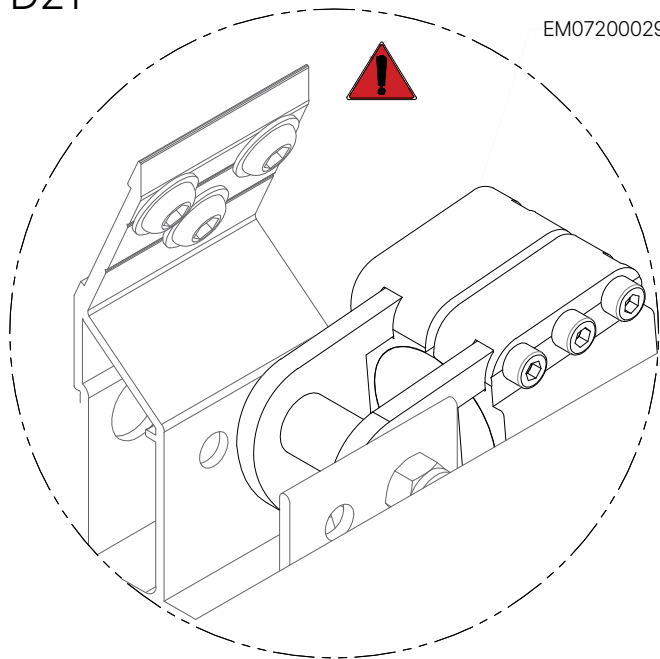
The screws on the accessory with code EM07200029 are loosened. The motor arm is positioned correctly while the motor blade is in the closed position. The screws on the accessory with code EM07200029 are tightened to adjust the motor position.

! This Detail Belongs to 3x5 System

D21



D21

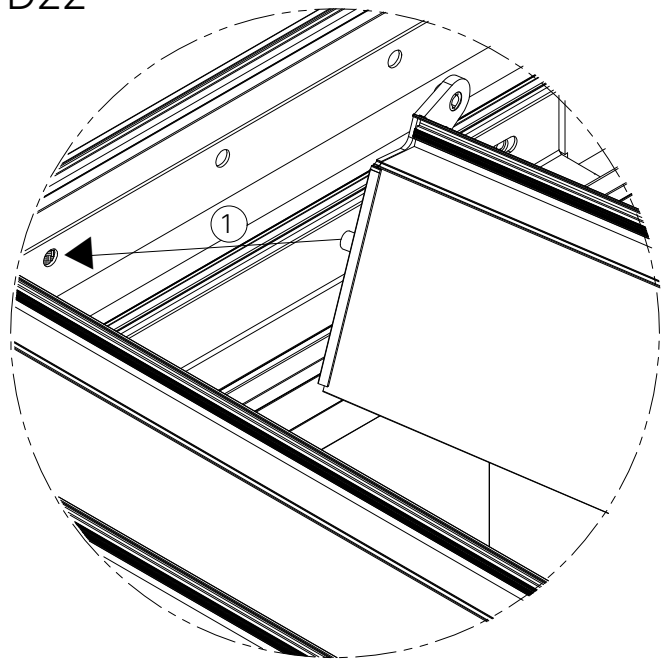


Attention

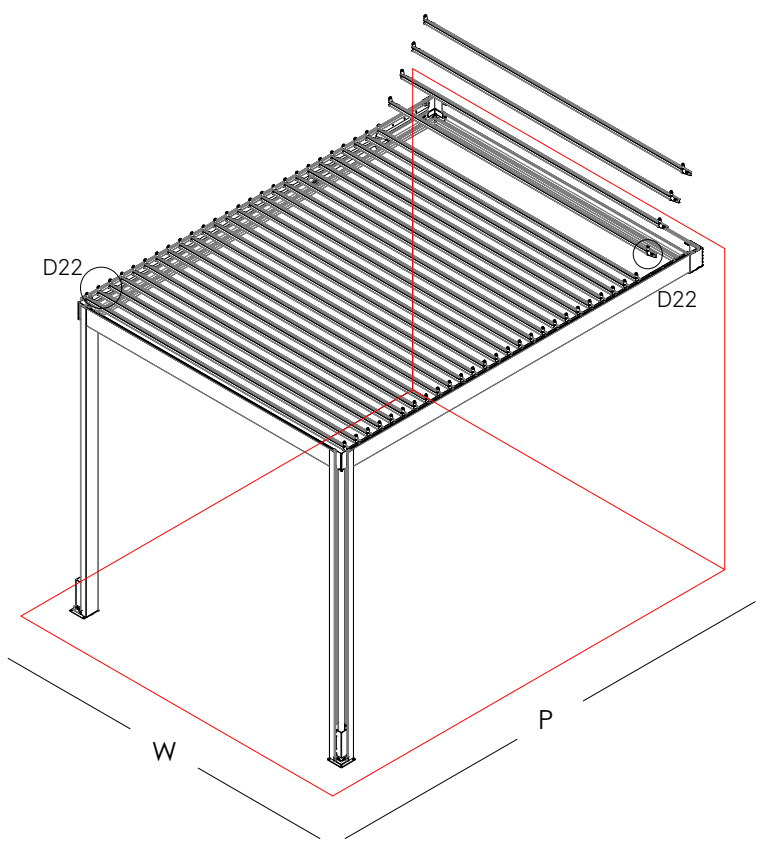
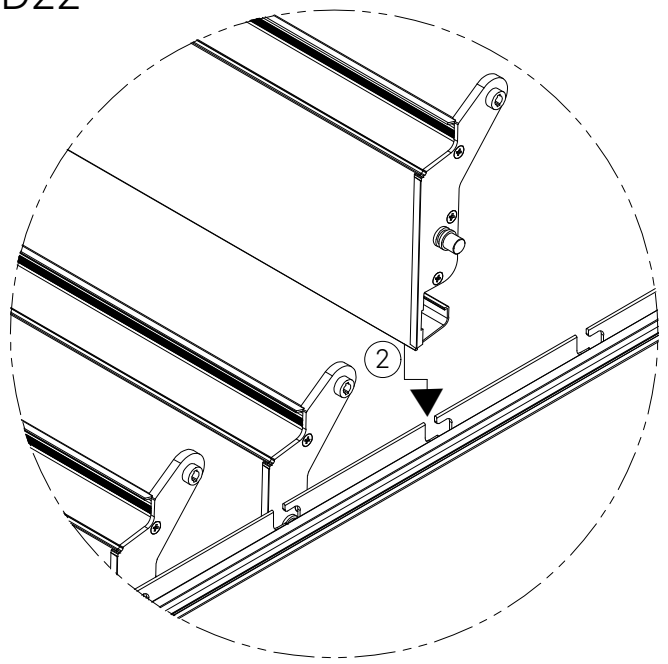
Please see page 42 for instructions regarding LED and cable connection applications at this stage.

The screws on the accessory with code EM07200029 are loosened. The motor arm is positioned correctly while the motor blade is in the closed position. The screws on the accessory with code EM07200029 are tightened to adjust the motor position.

D22

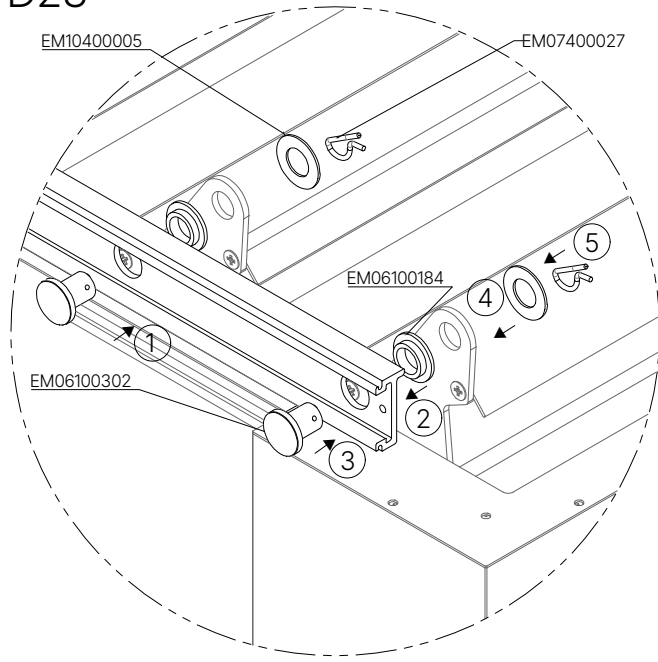


D22

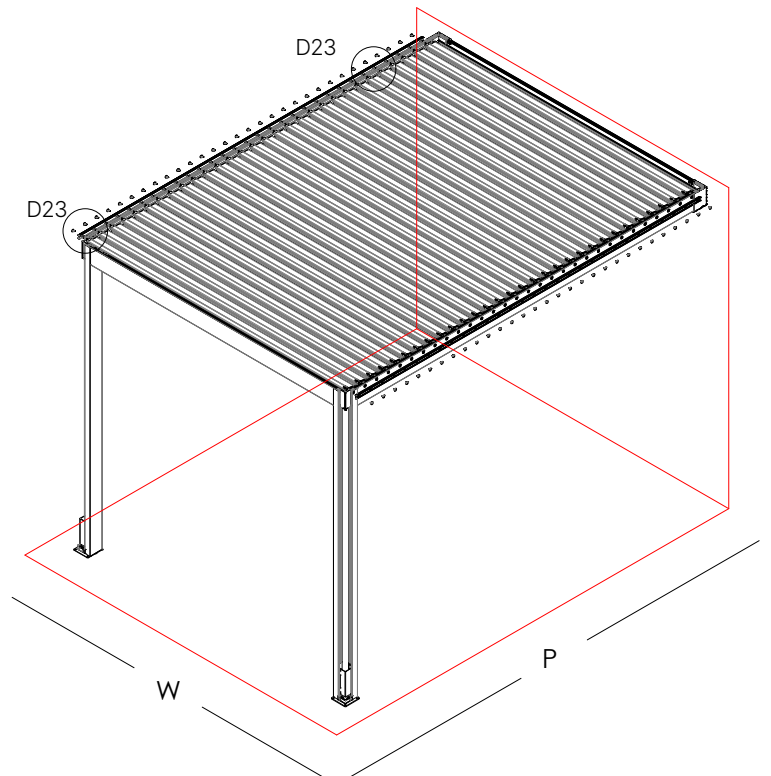
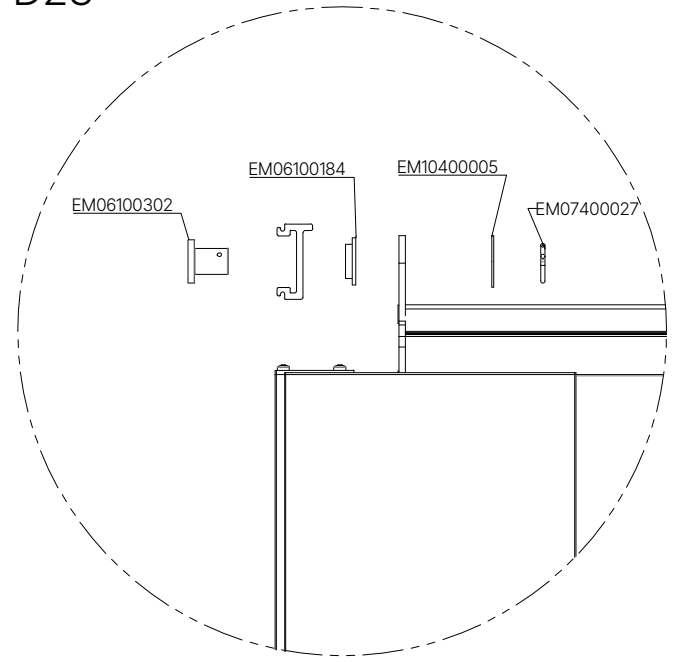


Other previously prepared blades are attached to the channels sequentially as shown above.

D23

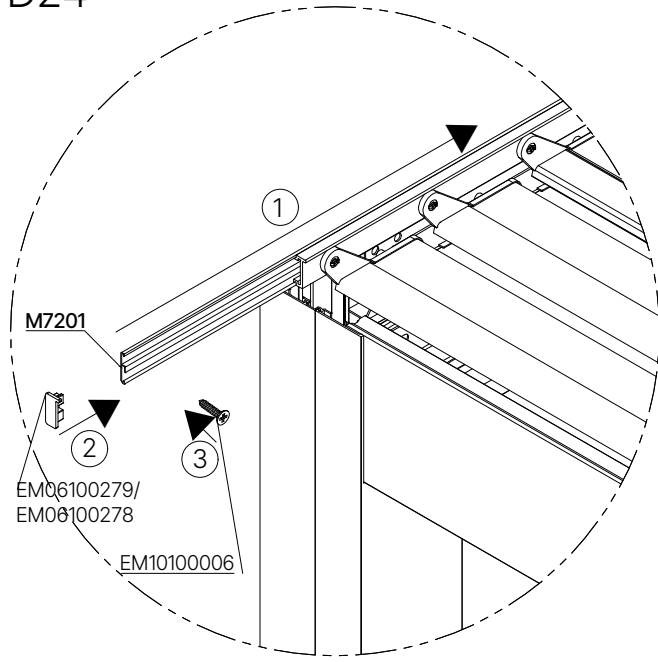


D23

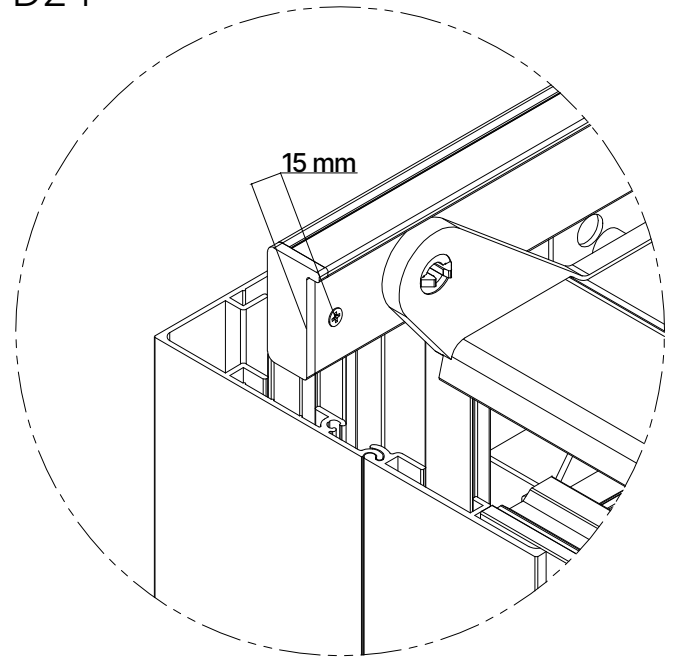


The movement arm (M7031) on the right and left is inserted as shown above. An additional part is placed for the motor blade.

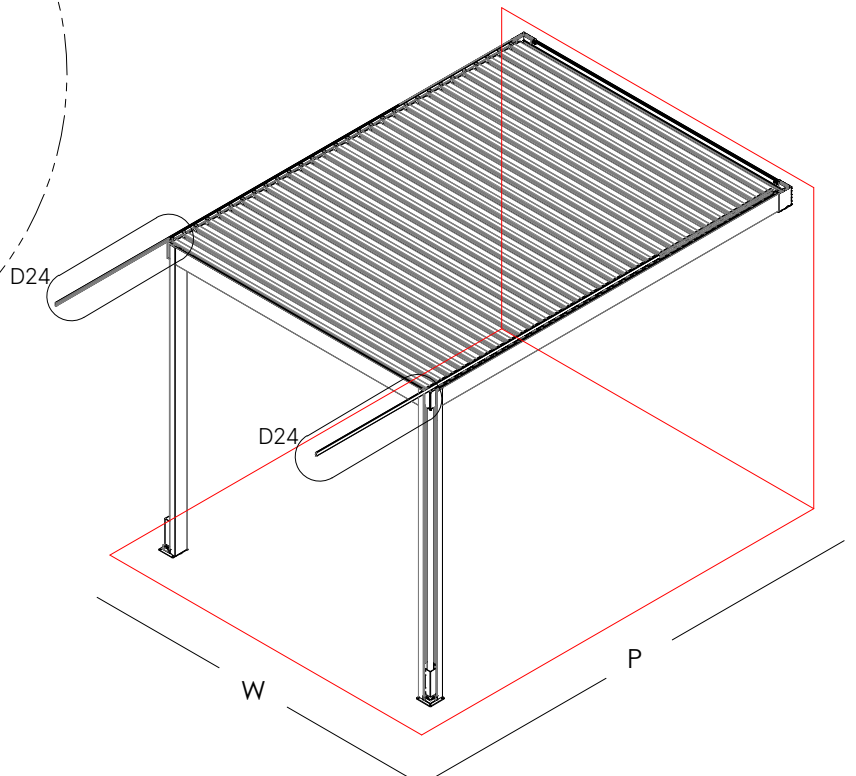
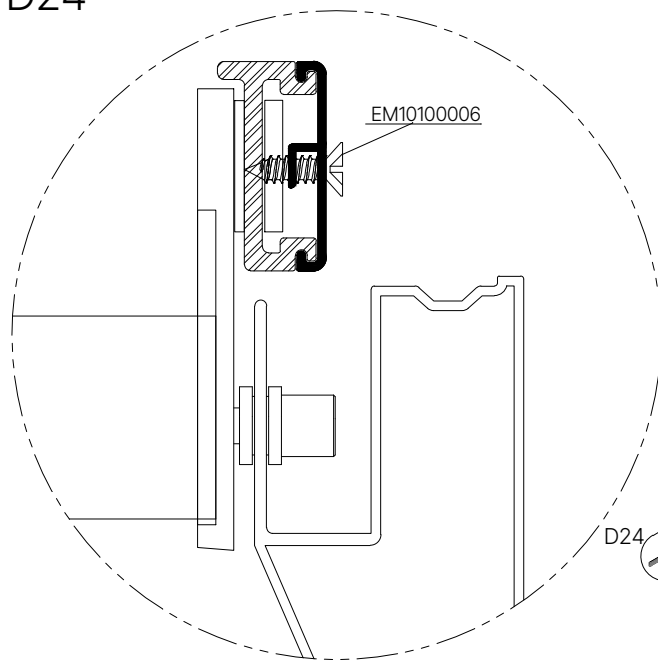
D24



D24

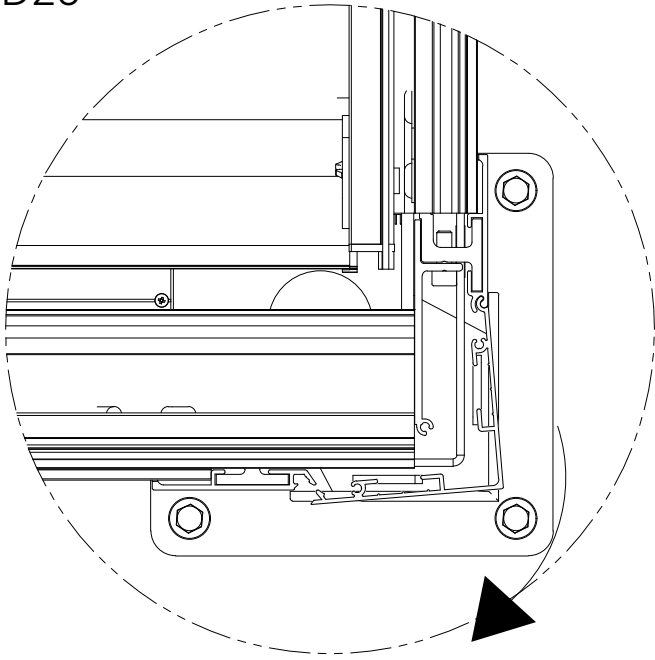


D24

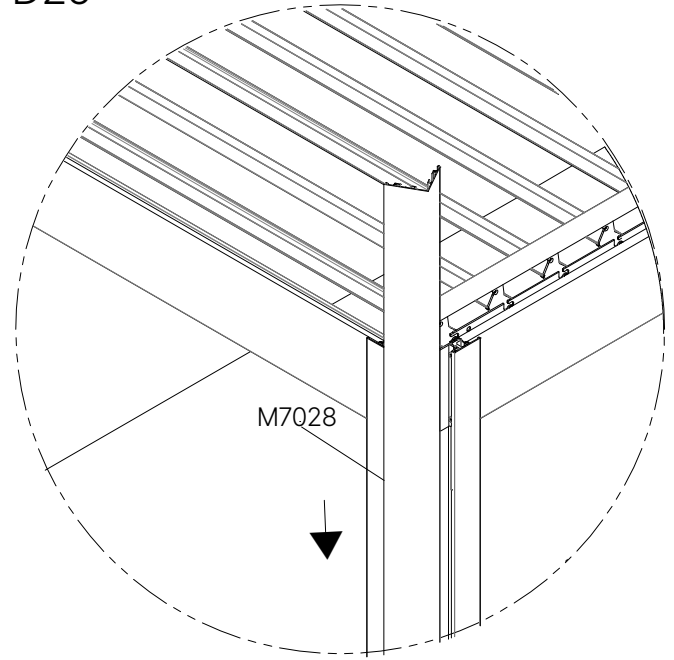


The cover profiles of the movement arm (M7201) are inserted. The plastic covers to be used on the front and back are fixed by screwing after they are installed.

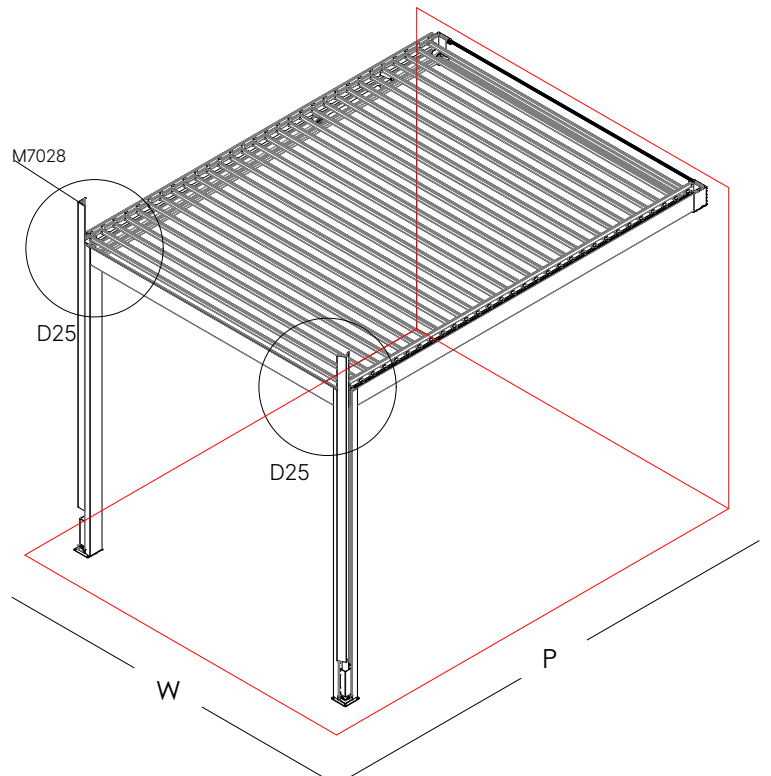
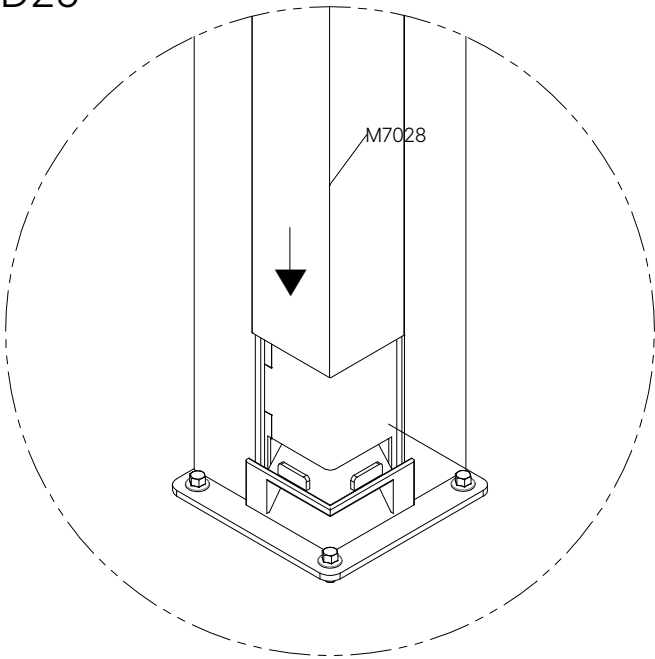
D25



D25

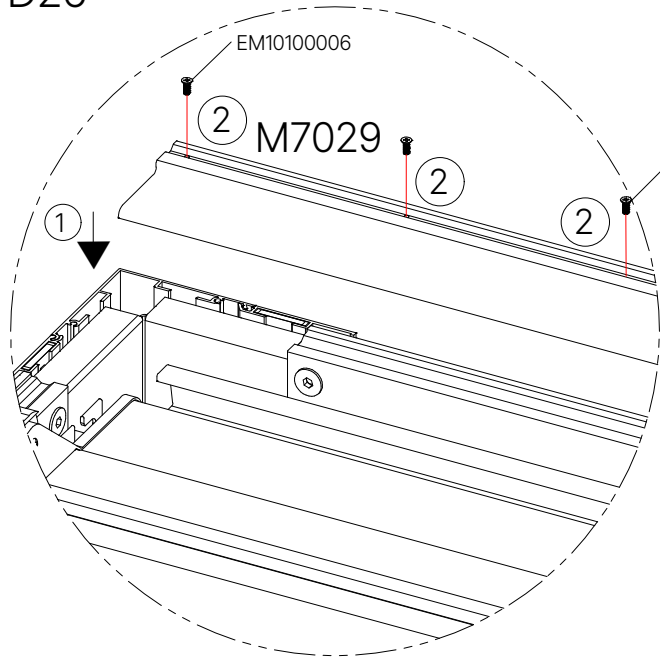


D25

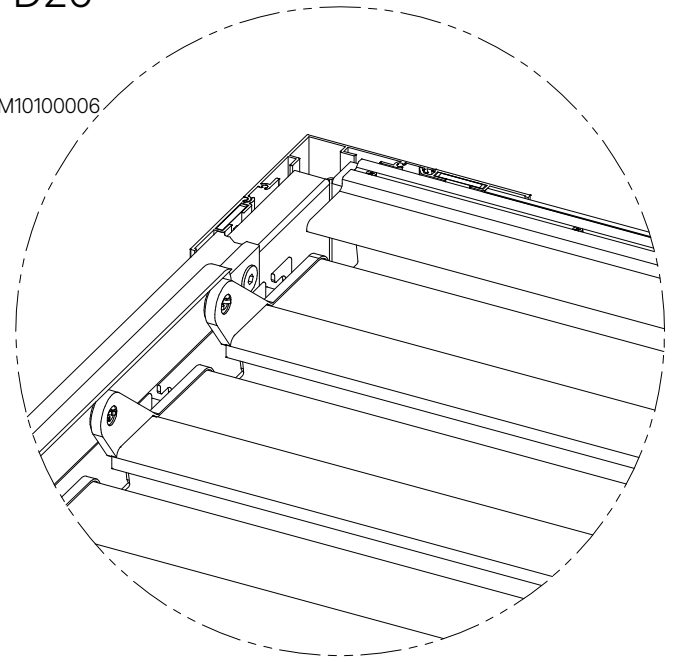


The pillar covers (M7028) on the front of the system are placed on the tabs and installed from top to bottom.

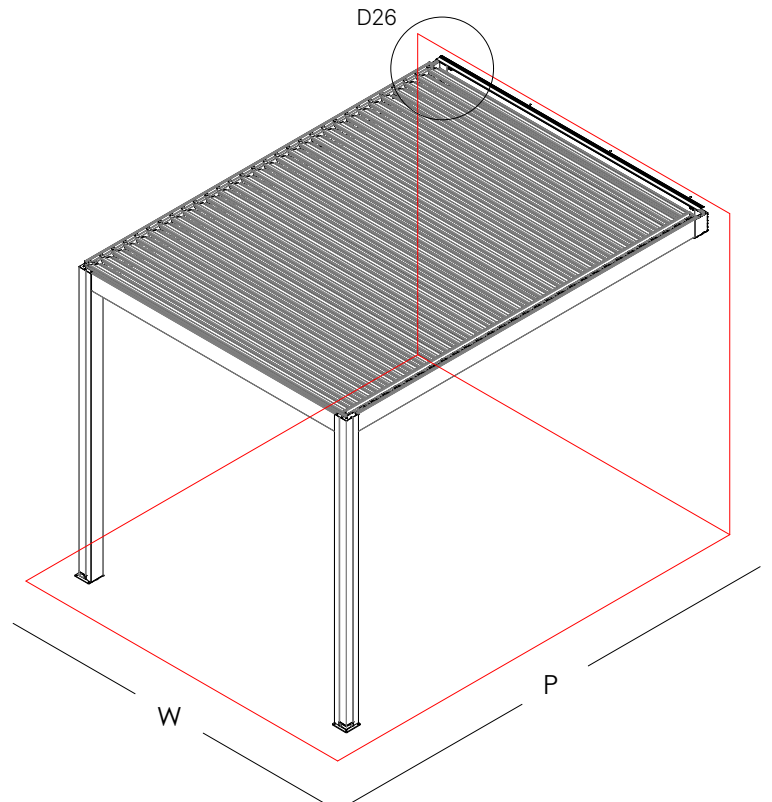
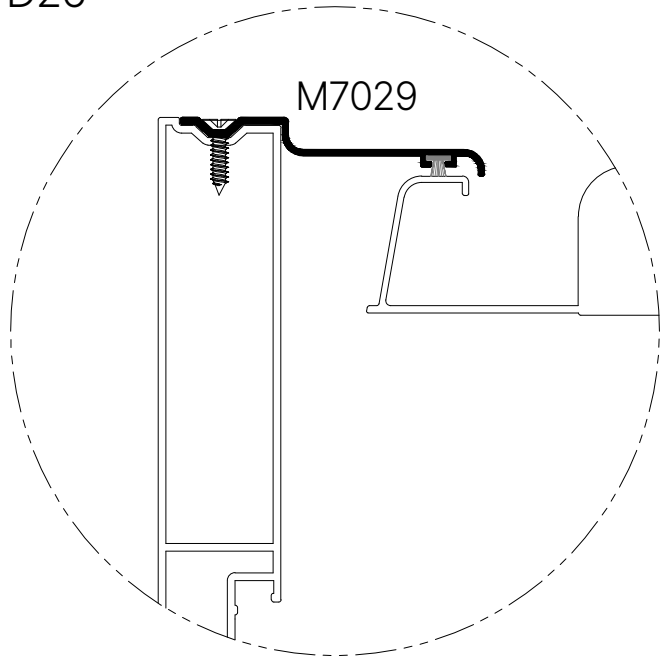
D26



D26

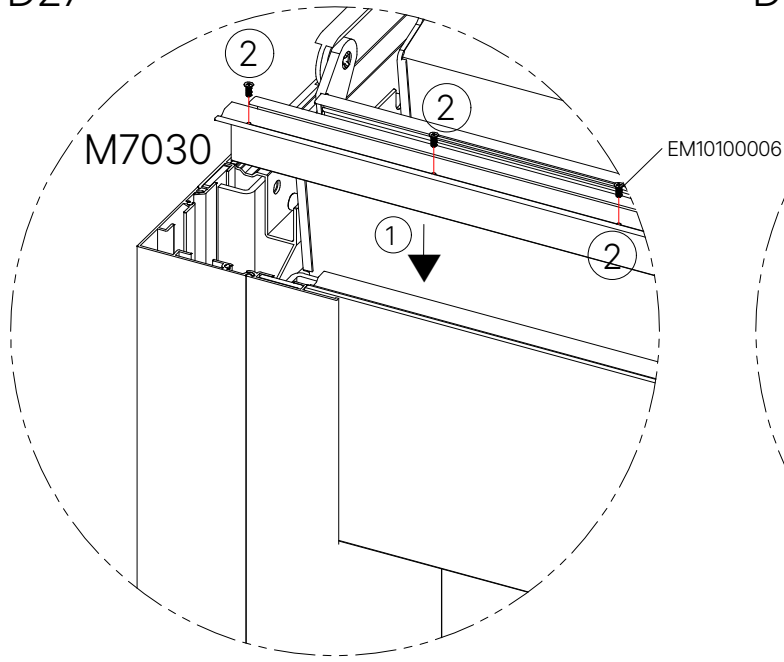


D26

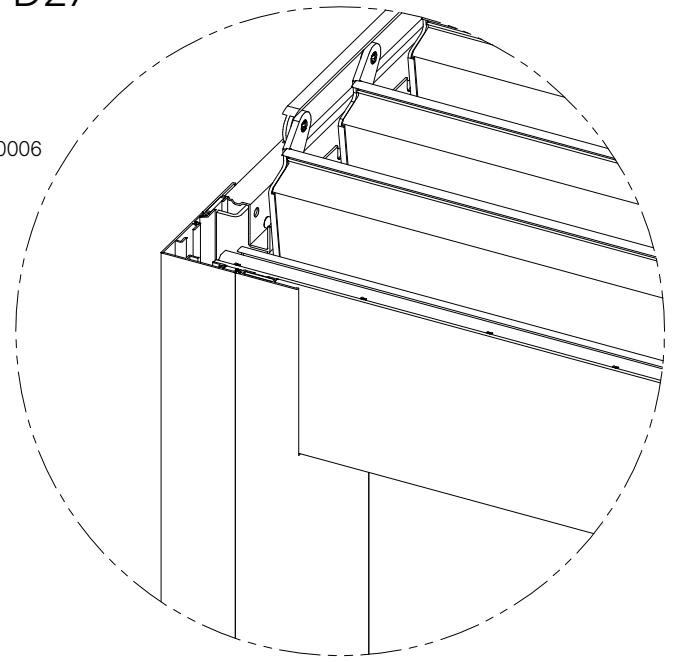


The rear cover profile is installed and screwed as shown above.

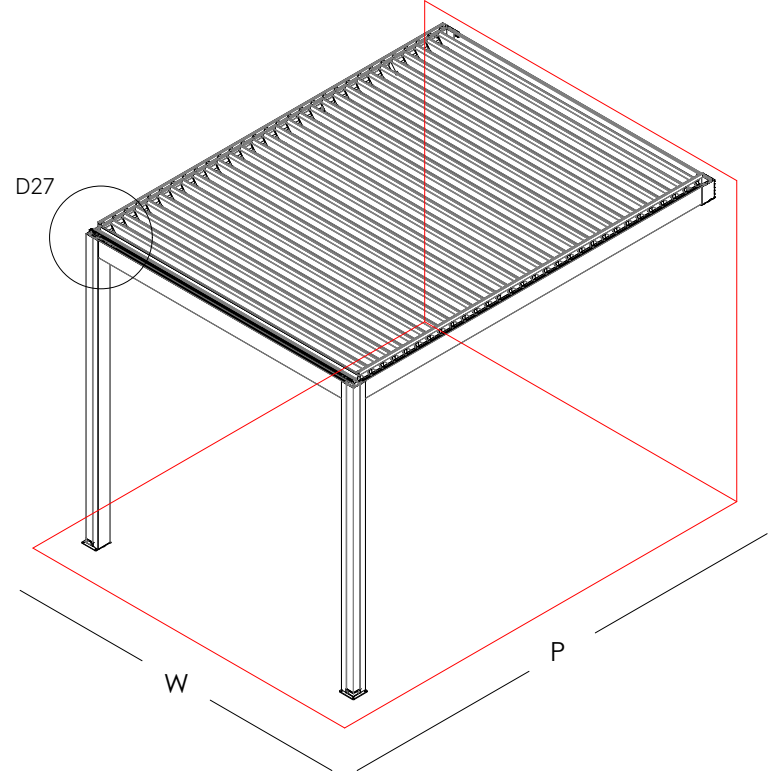
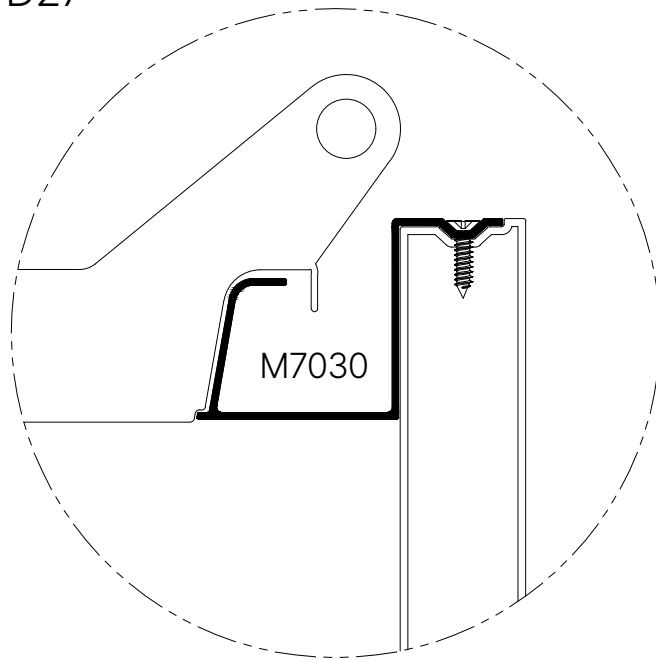
D27



D27



D27



The front cover profile is installed and screwed as shown above.

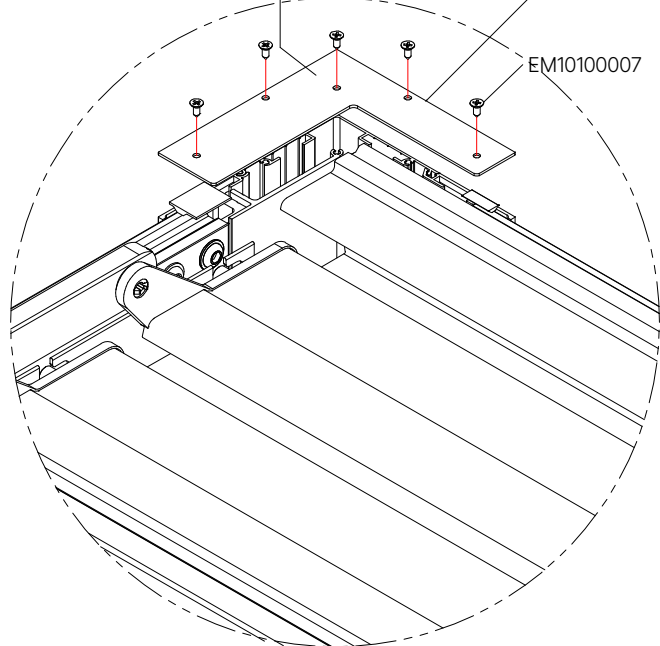
D28



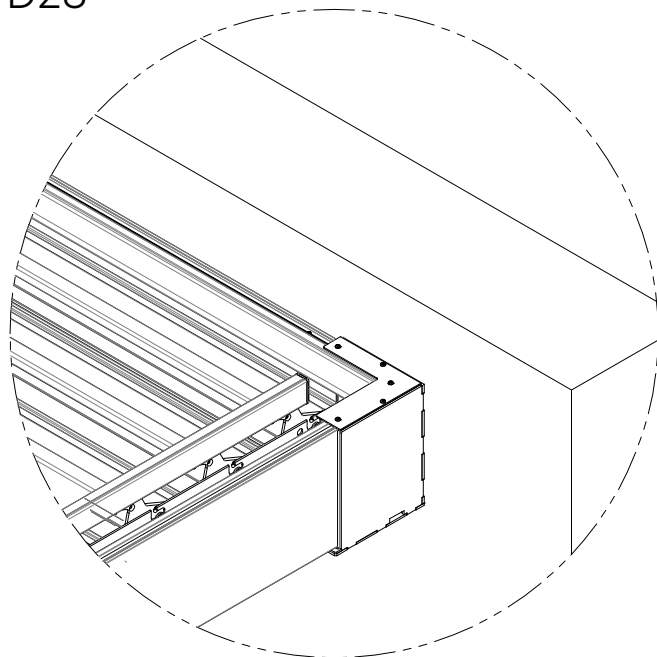
The thick edge should be oriented towards the P direction.

EM07100105

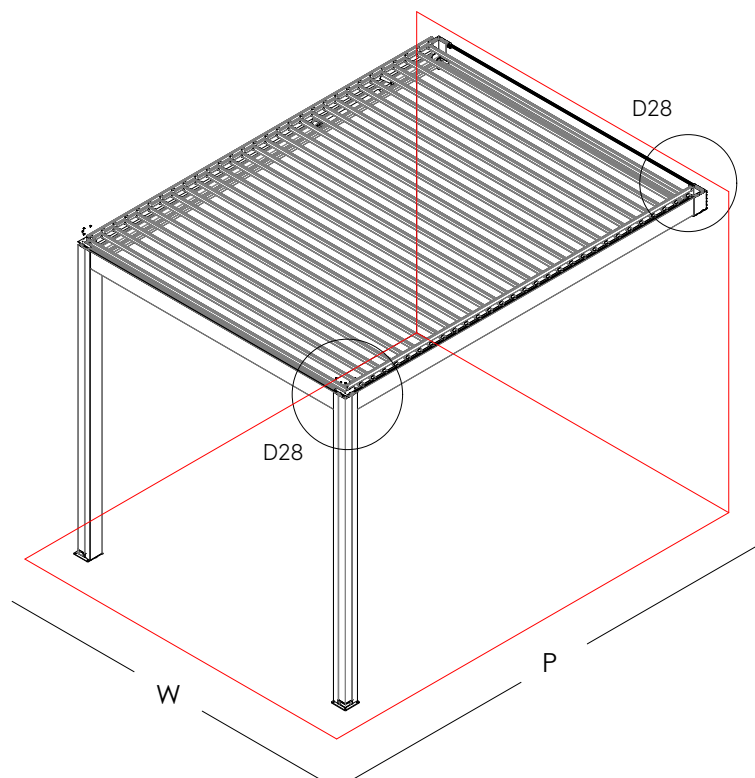
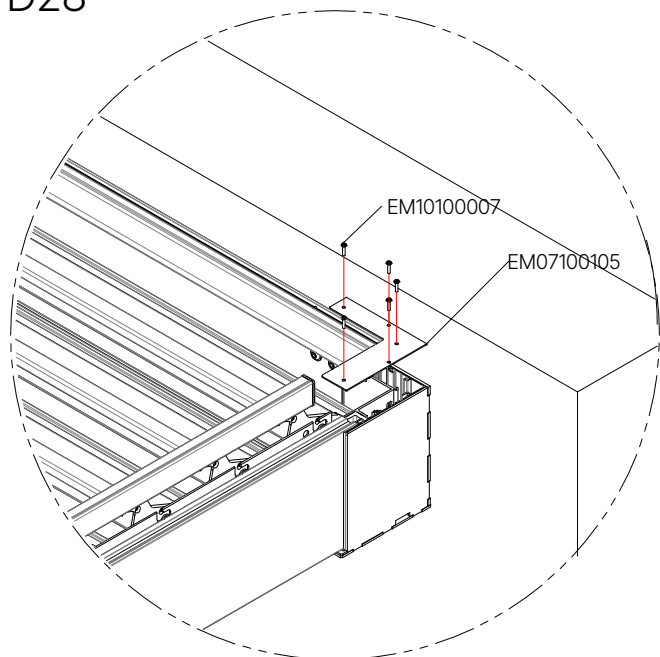
EM10100007



D28

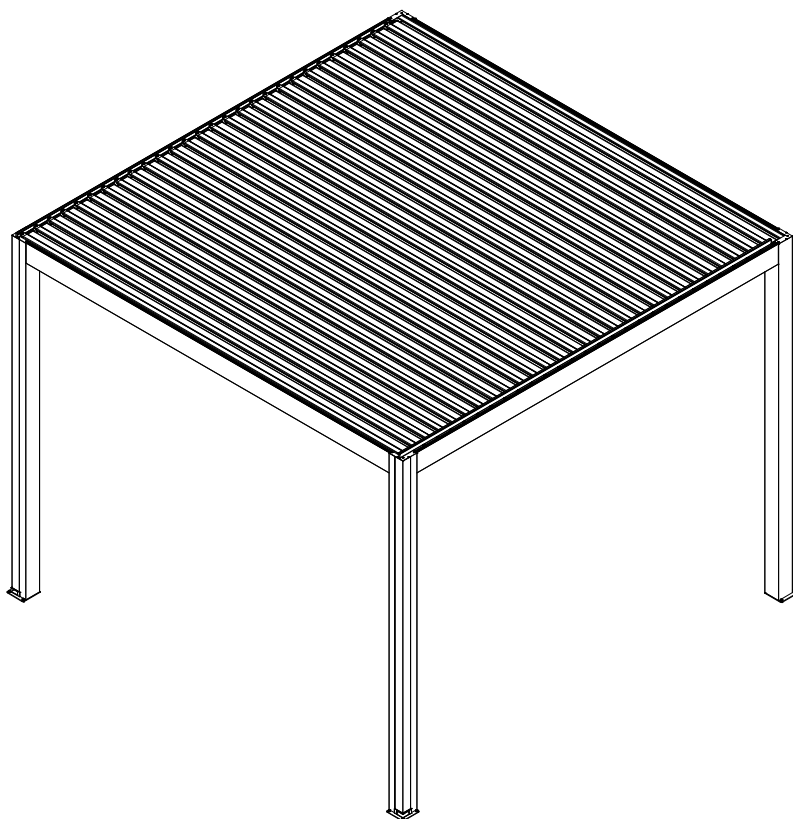


D28

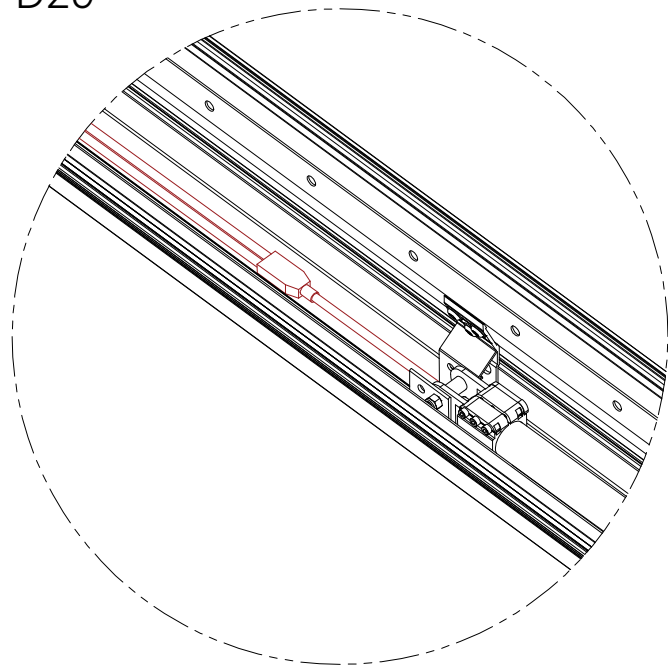


Corner covering plates are installed and screwed as above. The system is completed.

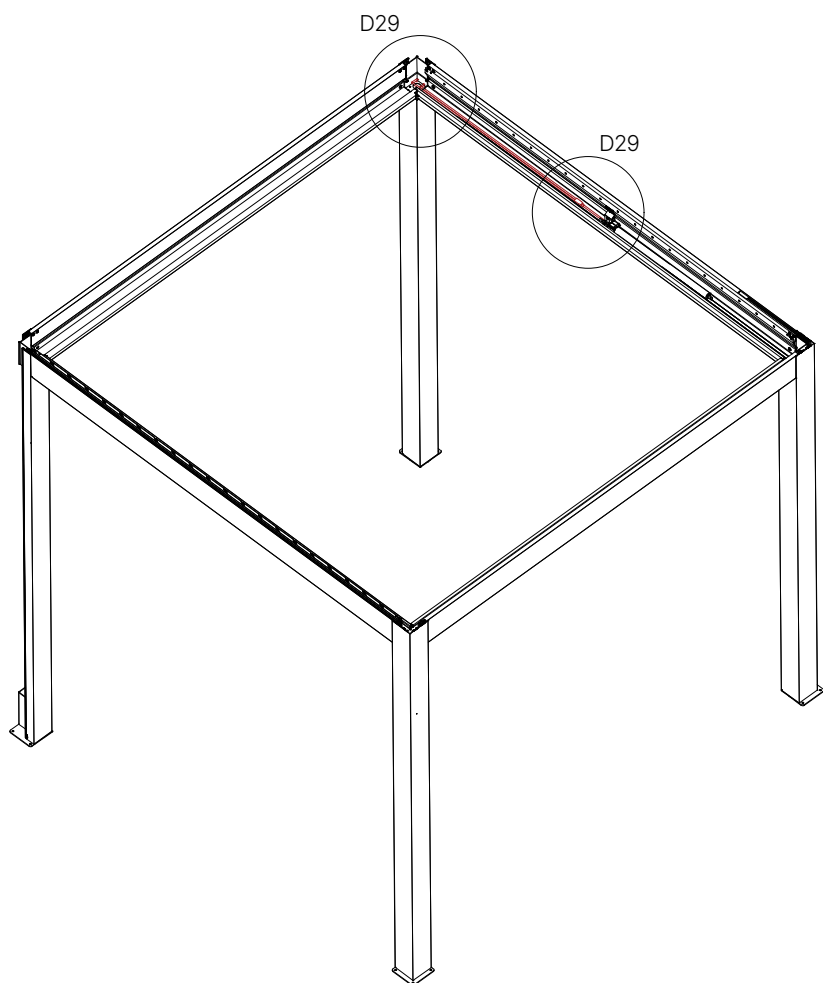
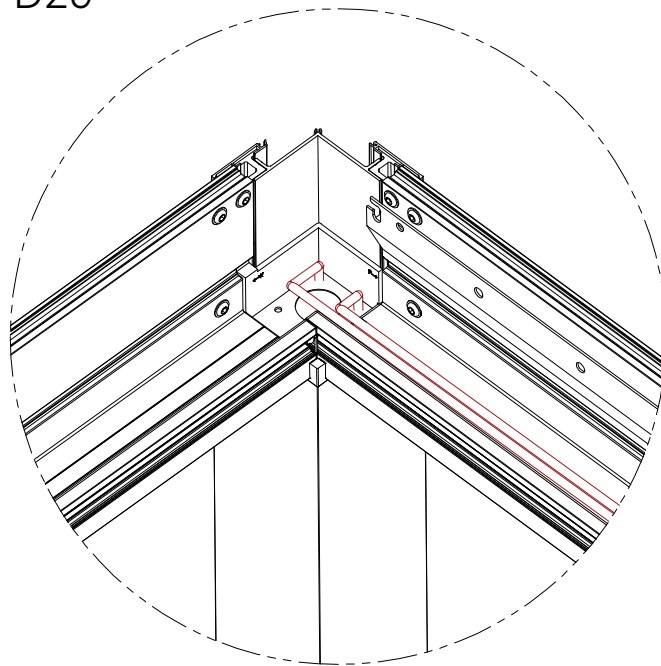
Chapter 1 : Led and Motor Cable Installation



D29

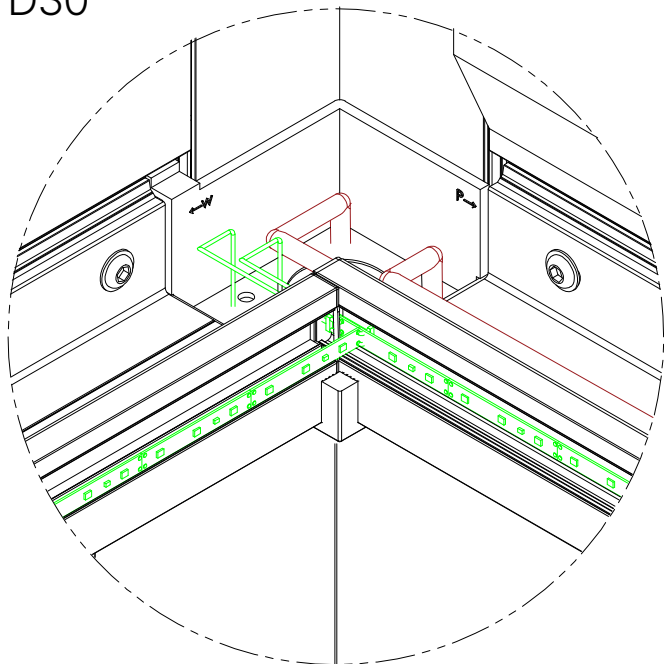


D29

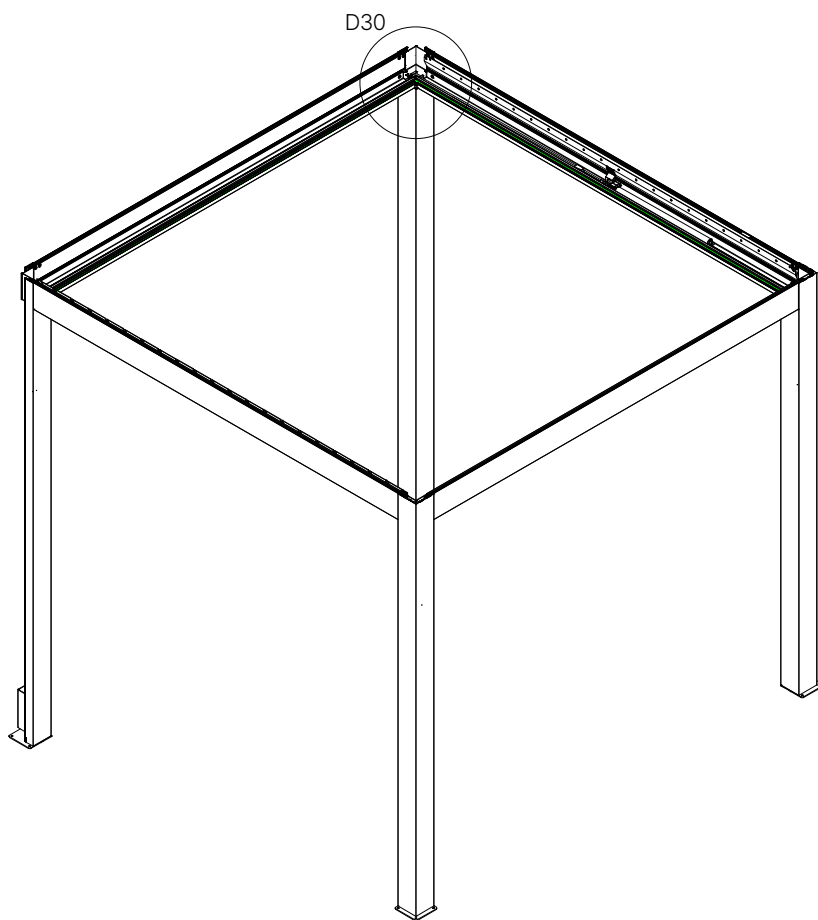
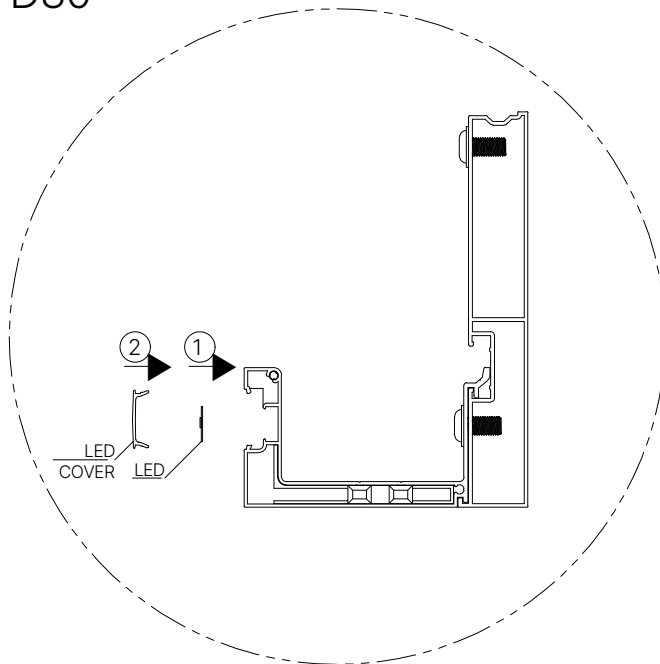


Two cables exiting from the motor are suspended down into the pillar through the designated cable exit points, inside the covered pillar.

D30

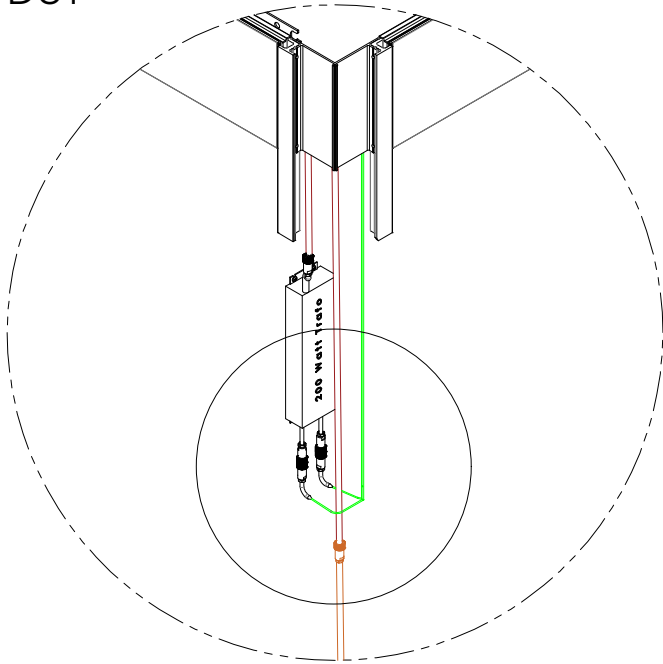


D30

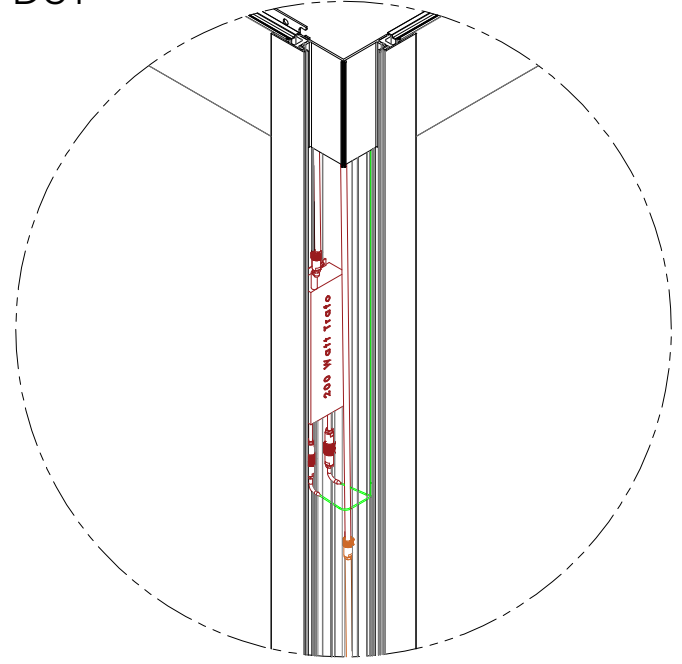


The LED application starts from the corner where the motor cables are connected and continues along the entire frame. The two cables belonging to the LED are suspended down from the single designated exit point on the seal. After the LED is installed, a PVC cover is placed over it.

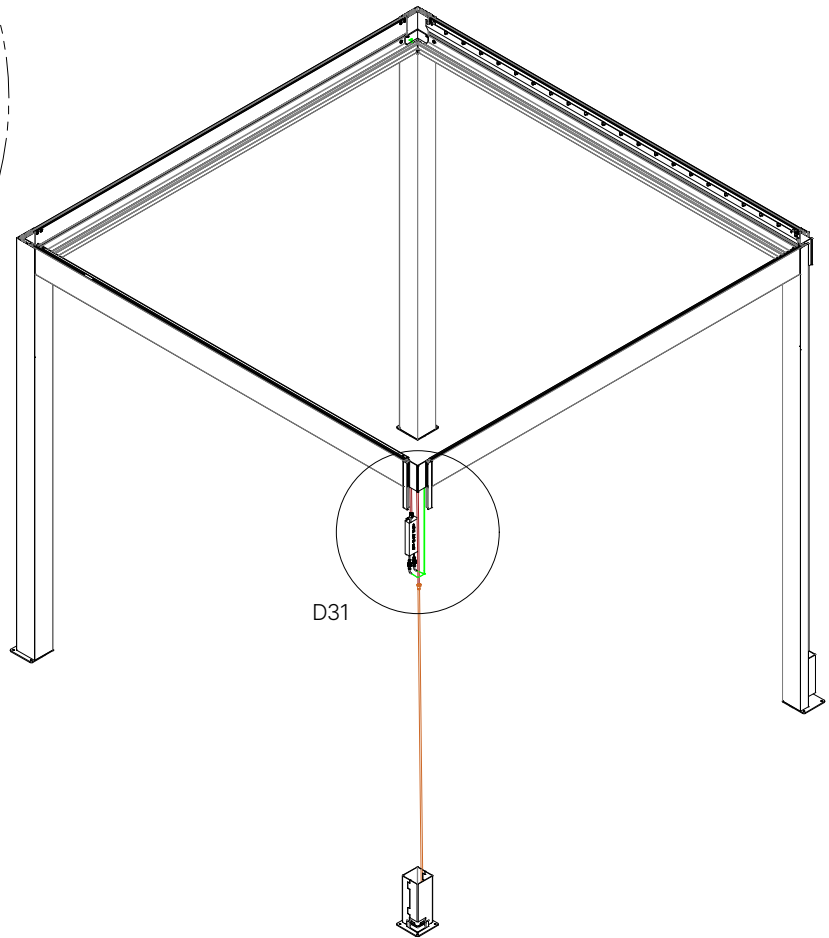
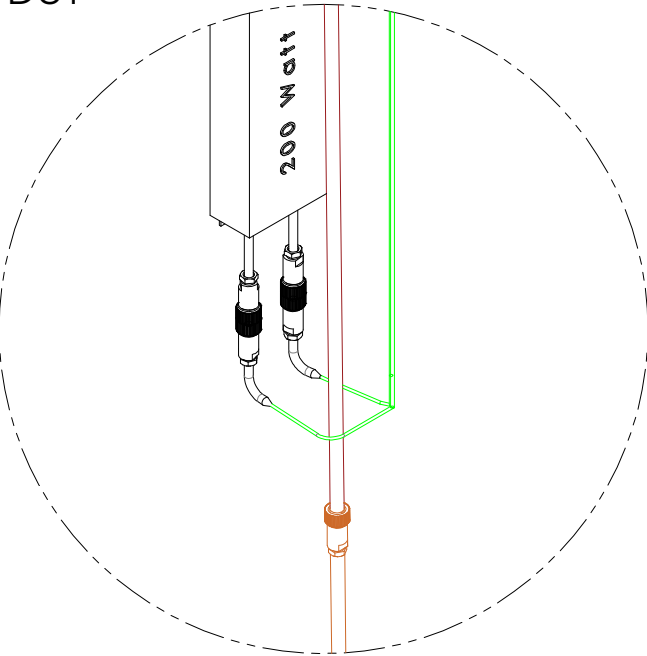
D31



D31



D31



The AC220V cable from the motor is connected to the mains line via a connector. The other cable is connected to the input section of the converter. The two cables from the LED are separately connected to the connectors on the output section of the converter.

Chapter 2 : Electrical Wiring

