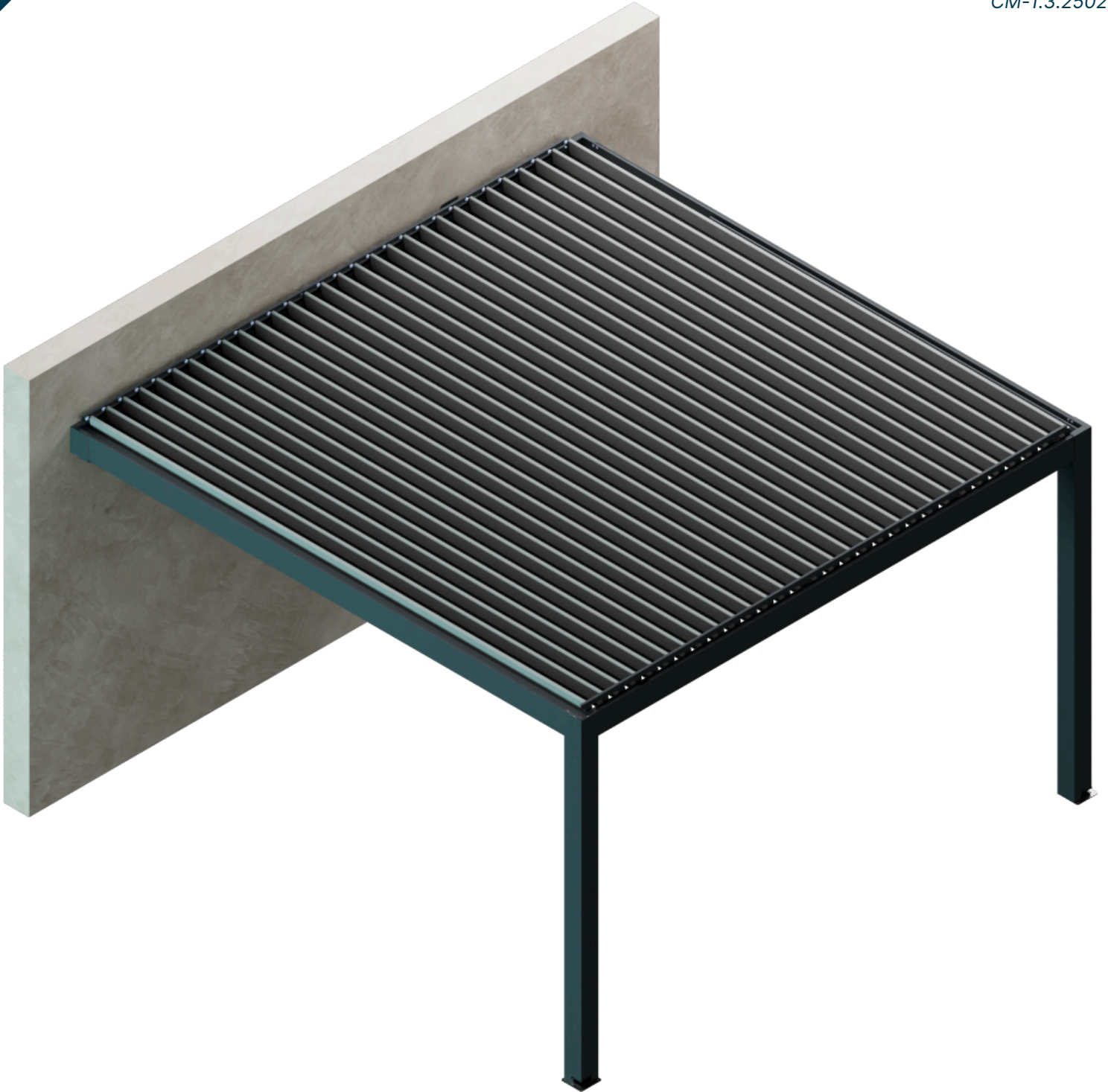


EGHUUN

INSTALLATION CATALOGUE

WALL-MOUNTED

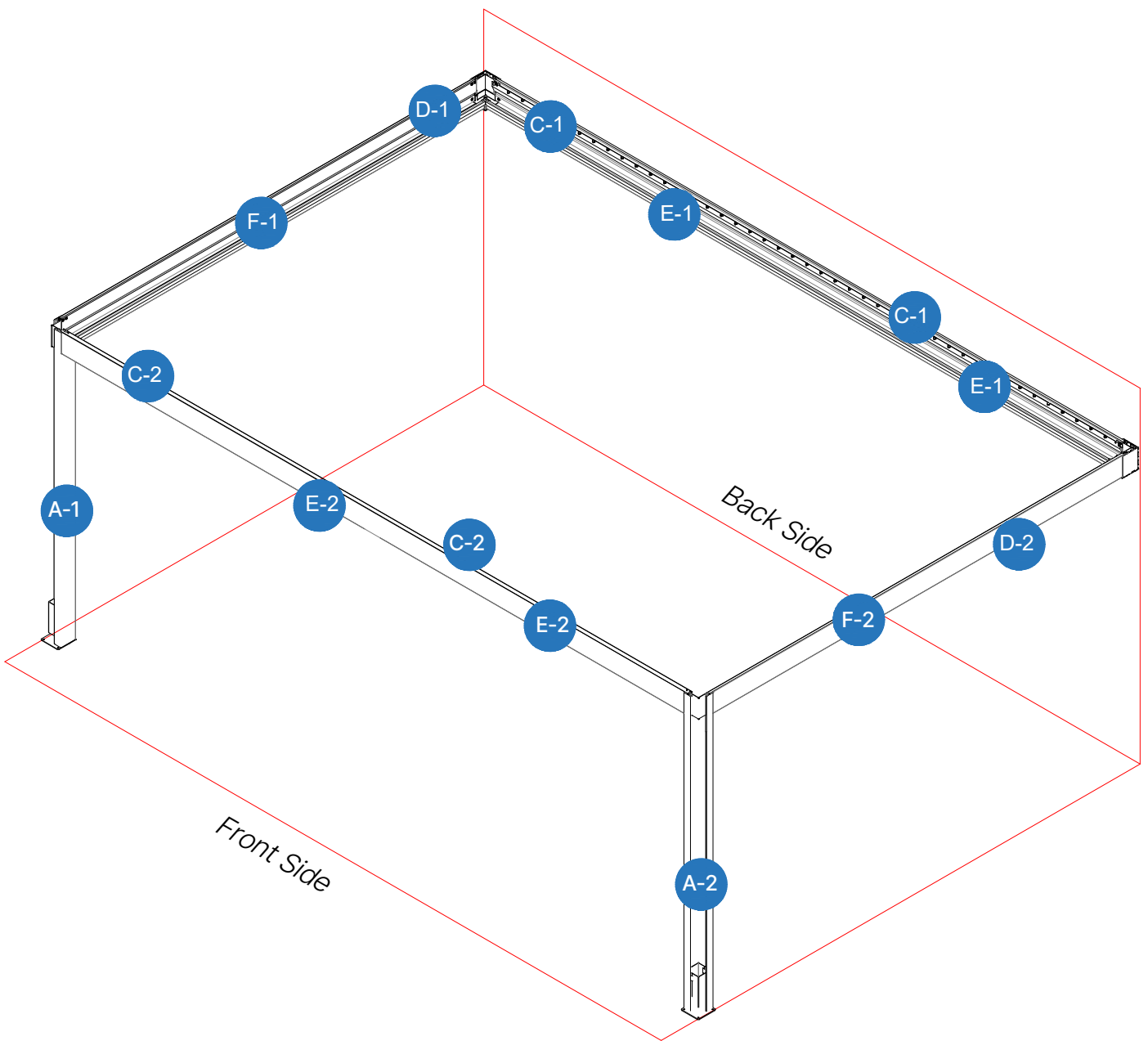
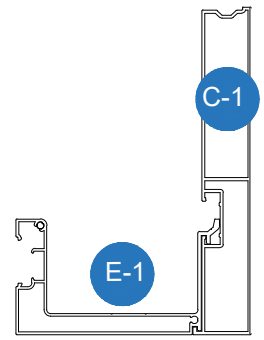
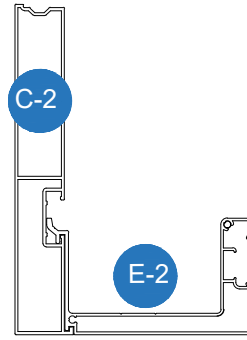
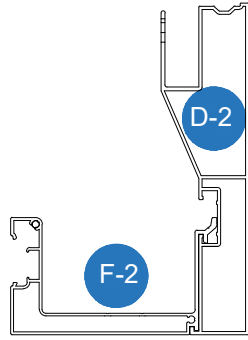
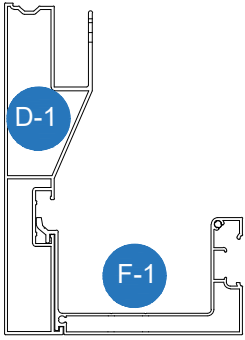
CM-1.3.2502



PERGOLA MEZZO

EN

4x4/4x5 System



W: System Width

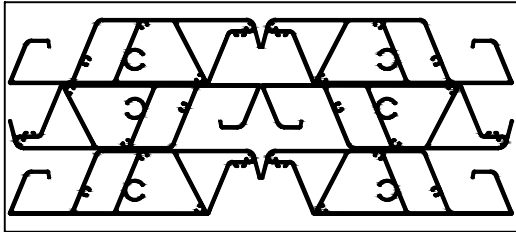
P : System Projection

Contents

Box Contents for 4x4 System	1
Box Contents for 4x5 System	2
Necessary Tools for The Ecoclimatic System	3
Ecoclimatic Profiles For First Step	4
Ecoclimatic Accessories For First Step.....	5-8
Ecoclimatic First Step : Making Frame	9-21
Ecoclimatic Profiles For Second Step	22
Ecoclimatic Accessories For Second Step.....	23-26
Ecoclimatic Second Step : Preparing Blades	27
Ecoclimatic Second Step : Preparing Motor Blades	28
Ecoclimatic Second Step : Mounting Roof	29-40
Led Installation	41-44
Electrical Wiring	45-47

Box Contents for 4x4 System

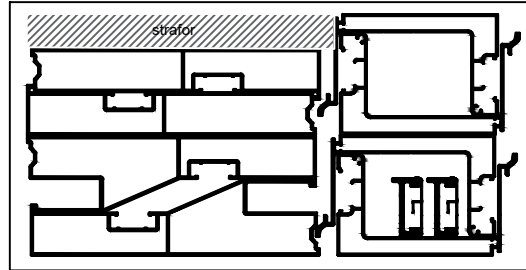
L3



M7400X6

5x

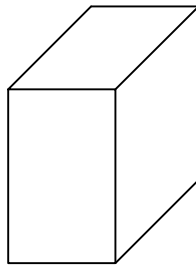
F7



M7034 (C1-C2) x2
 M7033 (E1-E2-F1-F2) x4
 M7035 (D1-D2) x2
 M7031 x2
 M7201 x2

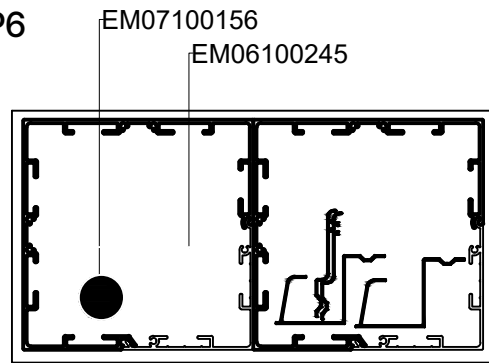
1x

A10



1x

P6

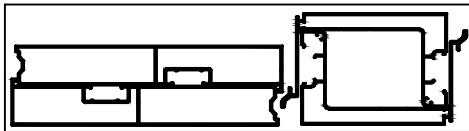


M7037 (A1-A2) x2
 M7028 (A1-A2) x2
 EM07100156 x1
 EM06100245 x2
 M7029 x2
 M7030 x2

1x

Box Contents for 4x5 System

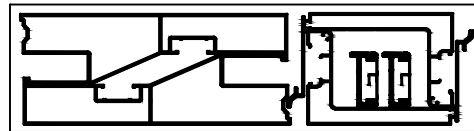
F3



M7034 (C1-C2) x2
M7033 (E1-E2) x2

1x

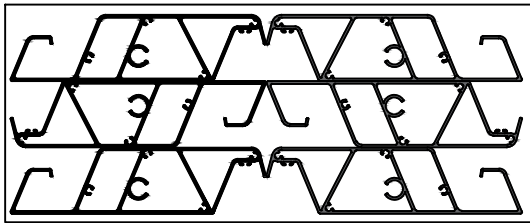
F4



M7035 (D1-D2) x2
M7033 (F1-F2) x2
M7031 x2
M7201 x2

1x

L3



M7400 x6

6x

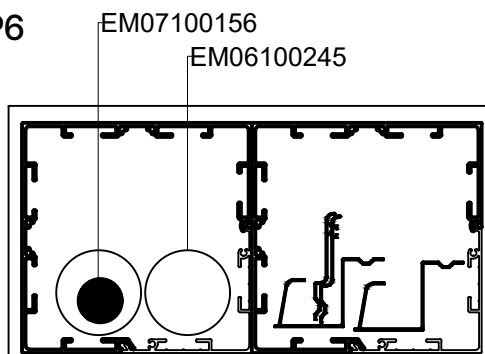
L4



M7400 x2

1x

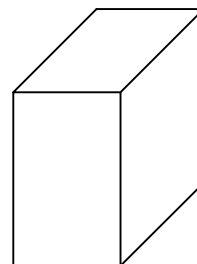
P6



M7037 (A1-A2) x2
M7028 (A1-A2) x2
EM07100156 x1
EM06100245 x2
M7029 x2
M7030 x2

1x

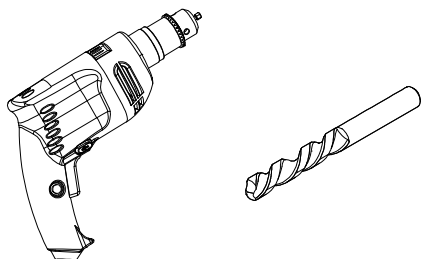
A11



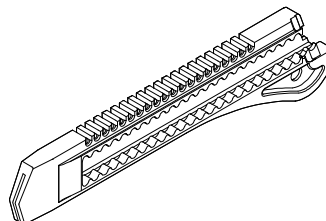
1x

Necessary Tools for The Ecoclimatic System

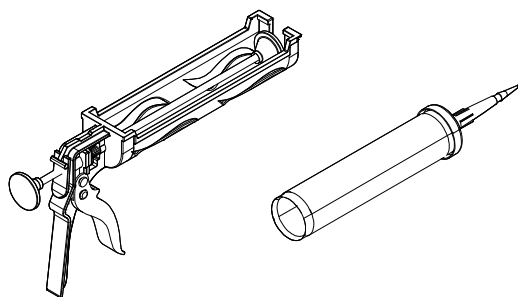
Cordless Drill & Drilling Bit (8 mm)



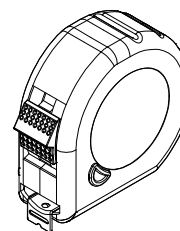
Carpet Knife



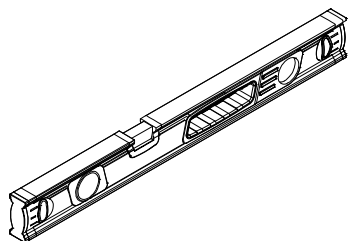
Silicon Gun & Silicon



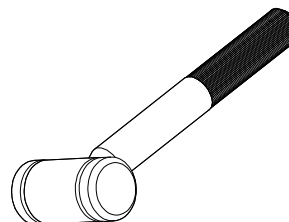
Tape Measure



Water Level

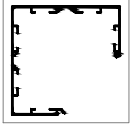


Knob

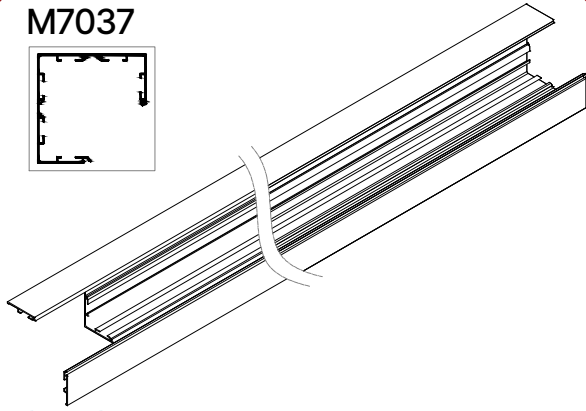


Ecoclimatic Profiles For First Step

M7037

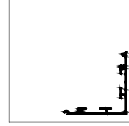


A-1 A-2

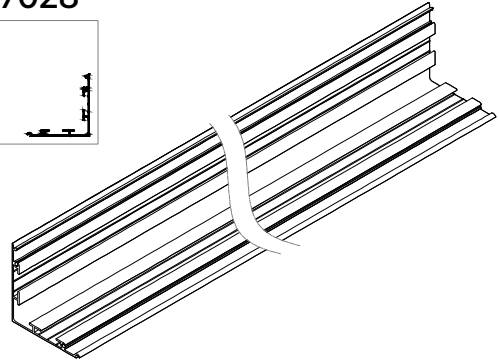


For 4x4 meters systems : 2 pcs
For 4x5 meters systems : 2 pcs

M7028



A-1 A-2

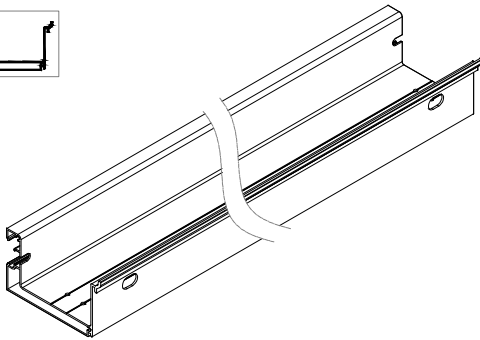


For 4x4 meters systems : 2 pcs
For 4x5 meters systems : 2 pcs

M7033



E-1 E-2 F-1 F-2

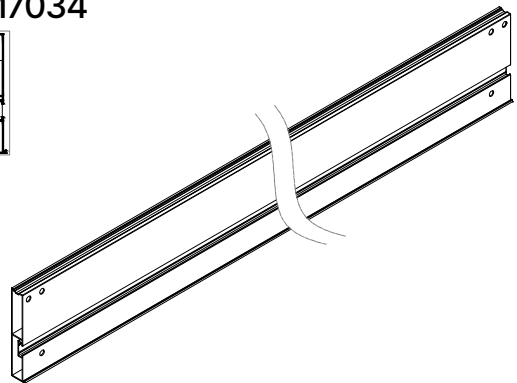


For 4x4 meters systems : 4 pcs
For 4x5 meters systems : 4 pcs

M7034



C-1 C-2

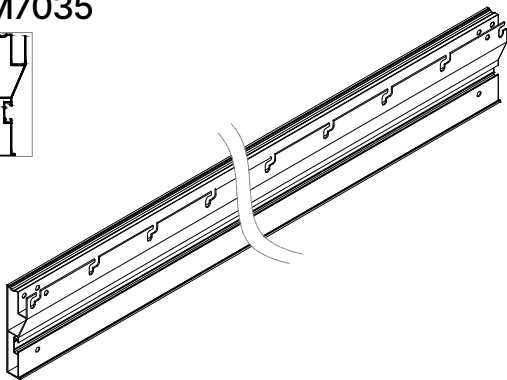


For 4x4 meters systems : 2 pcs
For 4x5 meters systems : 2 pcs

M7035



D-1 D-2

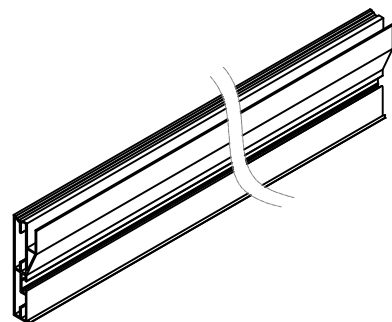


For 4x4 meters systems : 2 pcs

M7507



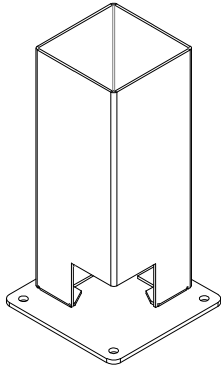
D-1 D-2



For 4x5 meters systems : 2 pcs

Ecoclimatic Accessories For First Step

EM07100104

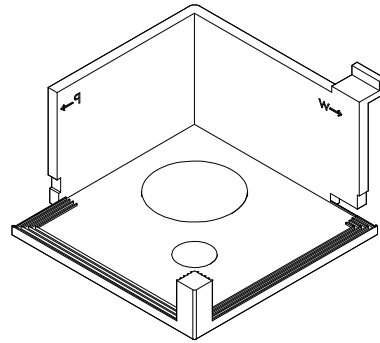


For 4x4 meters systems : 2 pcs
For 4x5 meters systems : 2 pcs

EM06100284



This product has a direction

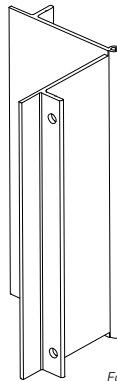


For 4x4 meters systems : 2 pcs
For 4x5 meters systems : 2 pcs

EM07200028



This product has a direction

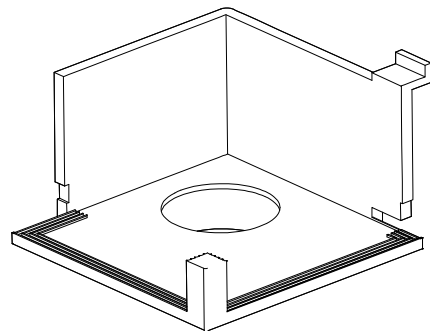


For 4x4 meters systems : 2 pcs
For 4x5 meters systems : 2 pcs

EM06100186

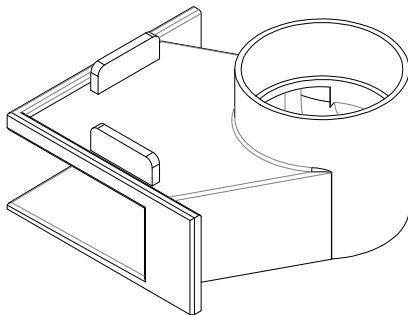


This product has a direction



For 4x4 meters systems : 2 pcs
For 4x5 meters systems : 2 pcs

EM06100229 - (Black)
EM06100295 - (White)



For 4x4 meters systems : 2 pcs
For 4x5 meters systems : 2 pcs

EM06100245

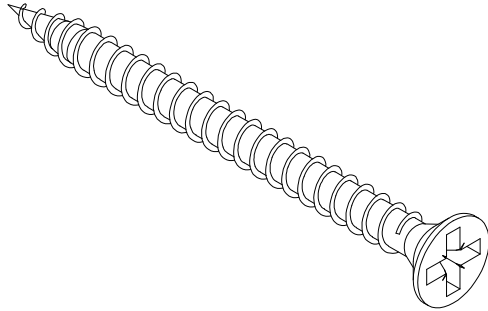


For 4x4 meters systems : 2 pcs
For 4x5 meters systems : 2 pcs

Ecoclimatic Accessories For First Step

EM10100017

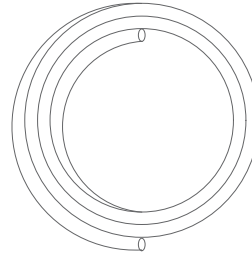
3,9x38mm Screw



For 4x4 meters systems : 8 pcs
For 4x5 meters systems : 8 pcs

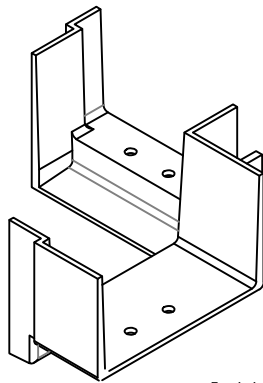
EM06200059

15 mm cord



For 4x4 meters systems : 1 pcs
For 4x5 meters systems : 1 pcs

EM06100292

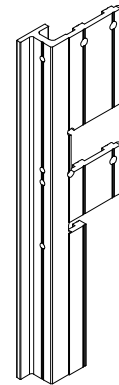


For 4x4 meters systems : 2 pcs
For 4x5 meters systems : 2 pcs

EM07200027



This product has a direction

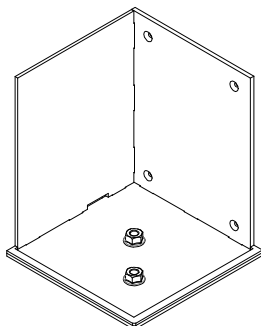


For 4x4 meters systems : 4 pcs
For 4x5 meters systems : 4 pcs

EM07300204

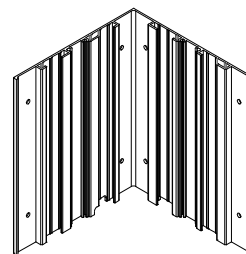


This product has a direction



For 4x4 meters systems : 2 pcs
For 4x5 meters systems : 2 pcs

EM07300206

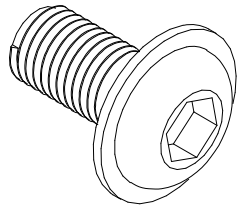


For 4x4 meters systems : 2 pcs
For 4x5 meters systems : 2 pcs

Ecoclimatic Accessories For First Step

EM10200006

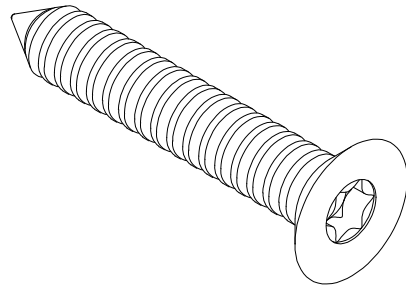
M8X12 Bolt



*For 4x4 meters systems : 12 pcs
For 4x5 meters systems : 12 pcs*

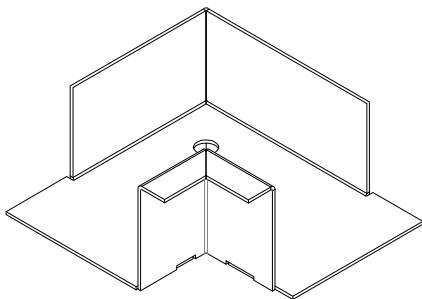
EM10100005

7,5x100 mm Buldex Screw



*For 4x4 meters systems : 6 pcs
For 4x5 meters systems : 6 pcs*

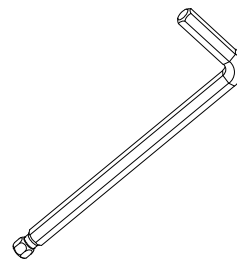
EM07300205



*For 4x4 meters systems : 2 pcs
For 4x5 meters systems : 2 pcs*

Allen Key -

EM13000062 & EM13000063

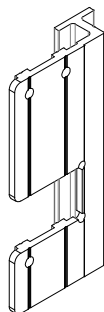


*For 4x4 meters systems : 1 pcs
For 4x5 meters systems : 1 pcs*

EM07200071

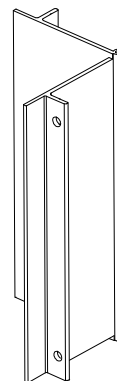


This product has a direction



*For 4x4 meters systems : 4 pcs
For 4x5 meters systems : 4 pcs*

EM07200072

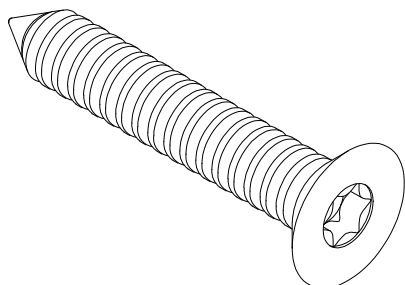


*For 4x4 meters systems : 2 pcs
For 4x5 meters systems : 2 pcs*

Ecoclimatic Accessories For First Step

EM10100028

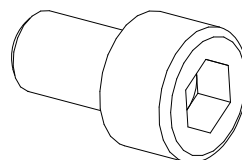
7,5x60 mm Buldex Screw



*For 4x4 meters systems : 8 pcs
For 4x5 meters systems : 8 pcs*

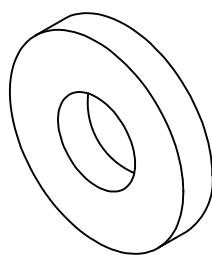
EM10200025

M6x12 Imbus



*For 4x4 meters systems : 12 pcs
For 4x5 meters systems : 12 pcs*

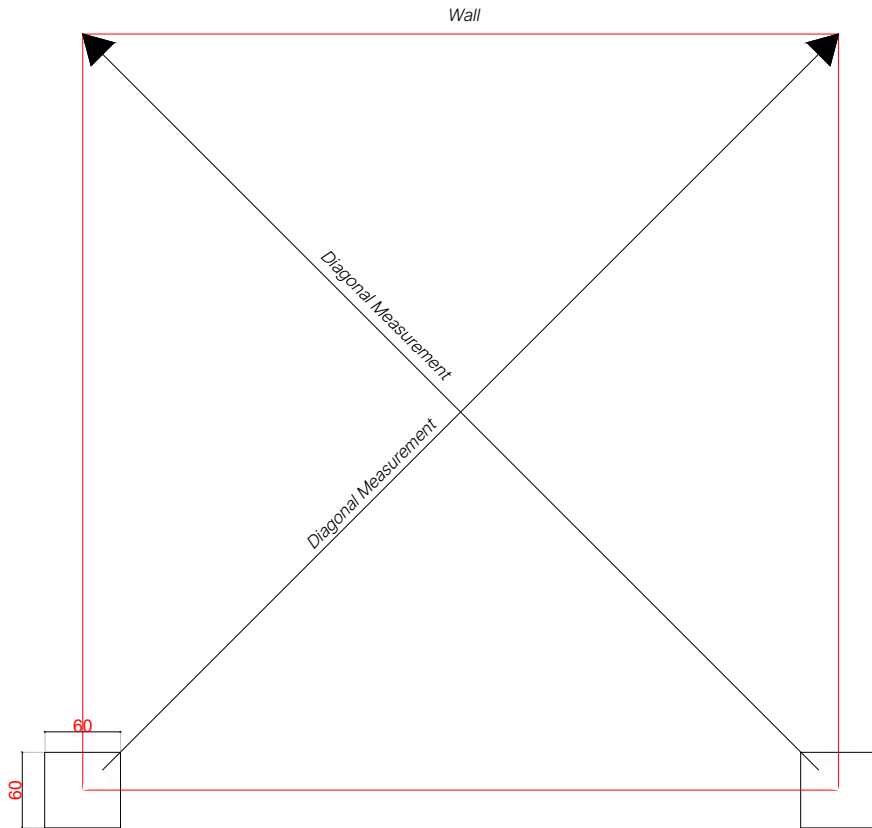
EM06200056



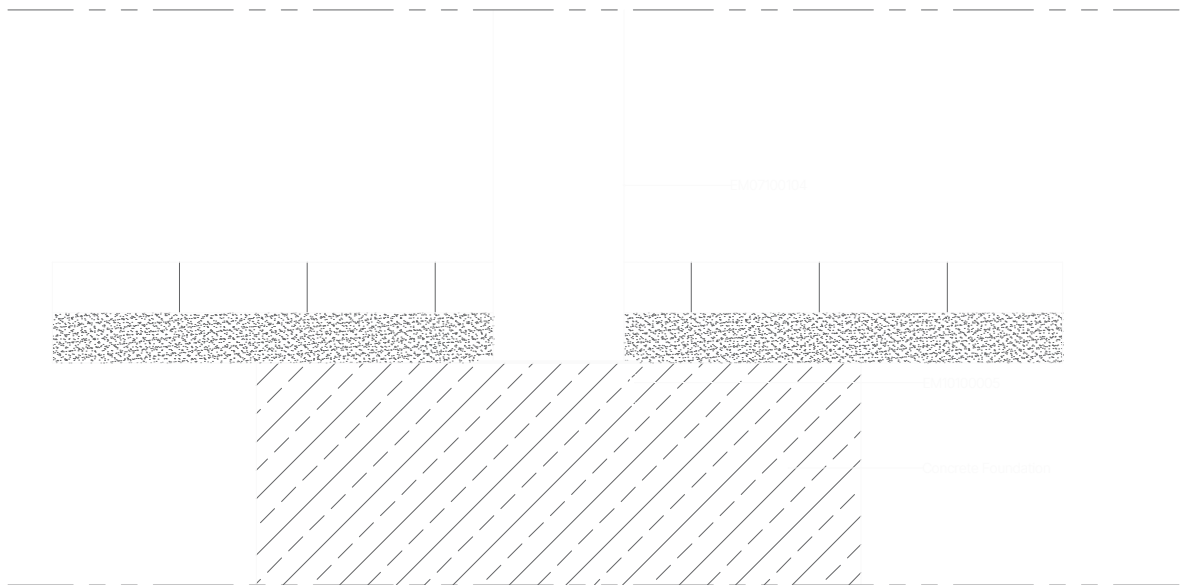
*For 4x4 meters systems : 4 pcs
For 4x5 meters systems : 4 pcs*

*The terrain where the system is to be installed must be level.

*The locations where the system's columns are to be positioned must have reinforced soil.



If your system is **4x4 meters**, then the diagonal measurement should be **553 cm**.
 If your system is **4x5 meters**, then the diagonal measurement should be **632 cm**.

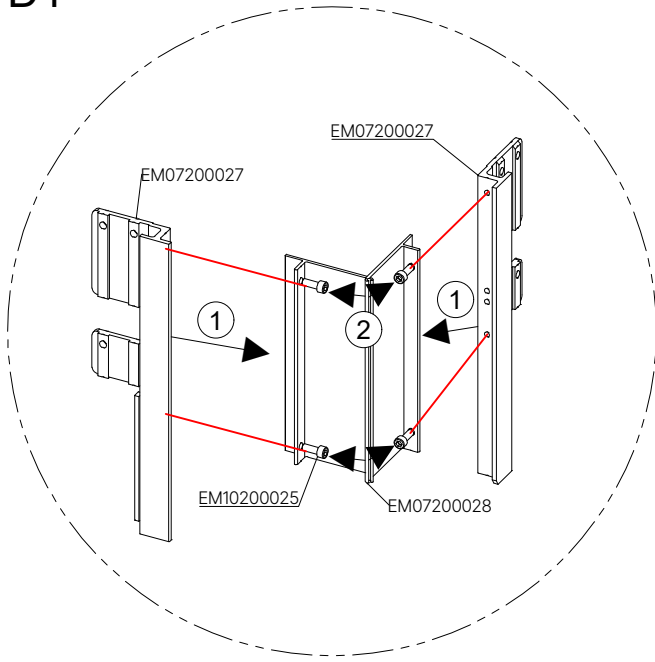


Section Detail

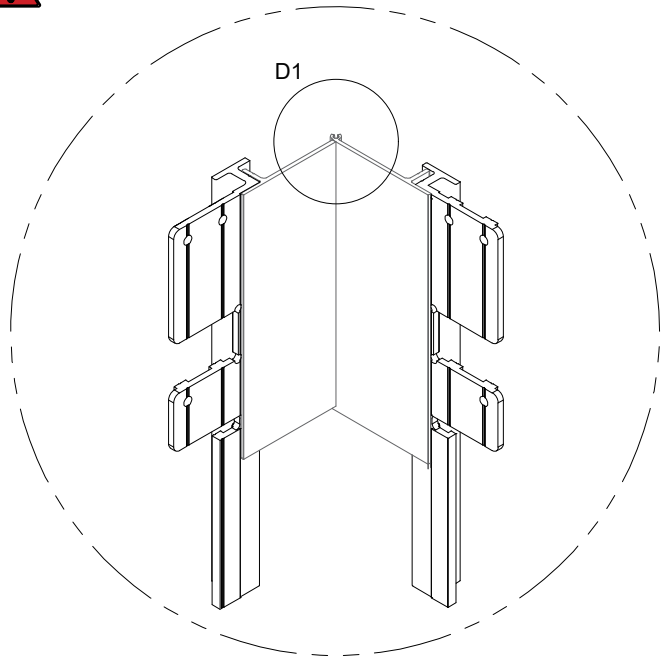
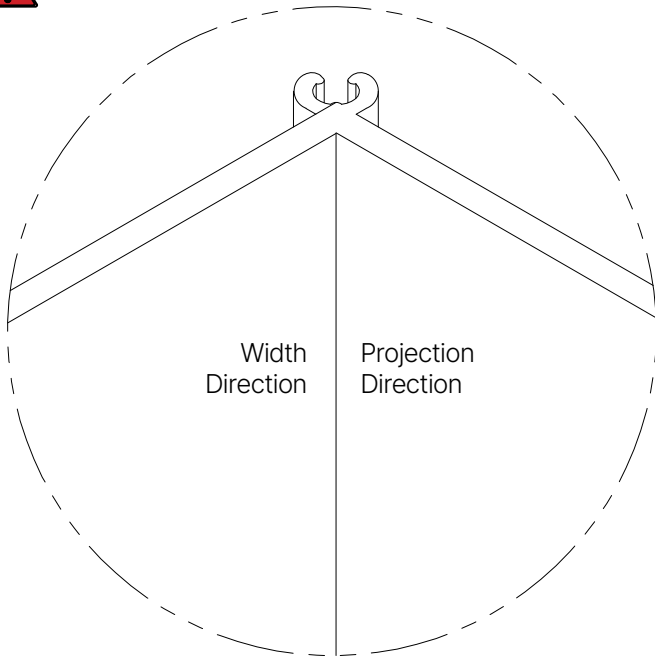
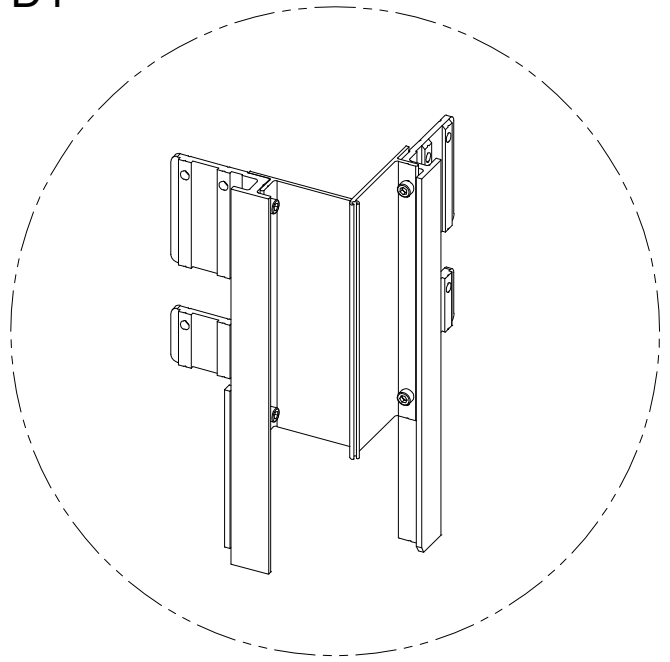
To ensure maximum durability of your pergola against environmental conditions, we recommend reinforcing the surface where the structure will be installed. In this regard, it is advisable to create reinforced point foundations measuring 60x60x80 cm and secure your pergola to these foundations using anchor bolts (EM10100005). Alternatively, you can also screw your pergola directly into patio surfaces such as stone or wooden decking

Ecoclimatic First Step : Making Frame

D1



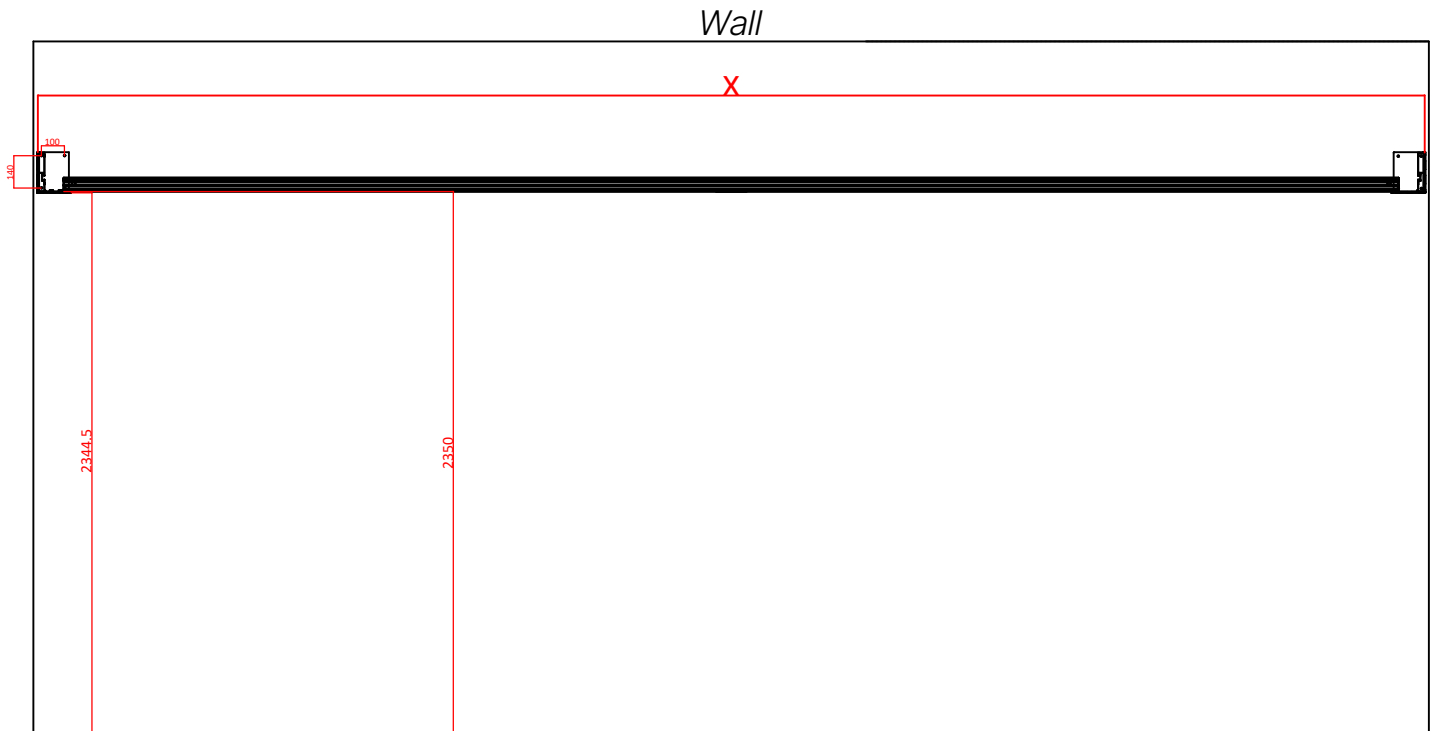
D1



EM07200027 and EM07200028 are screwed together and 2 sets are prepared in this way.



Attention

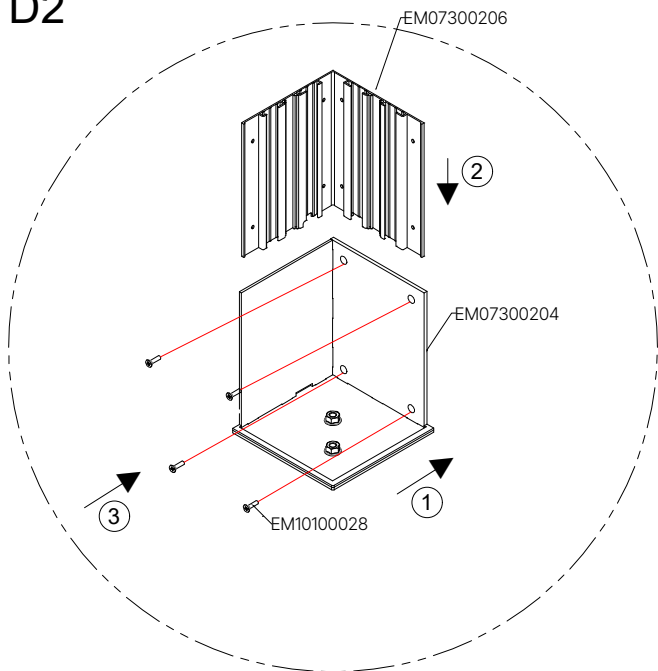


When installing wall mounting accessories, attention should be paid to their height from the ground and the distances between them.

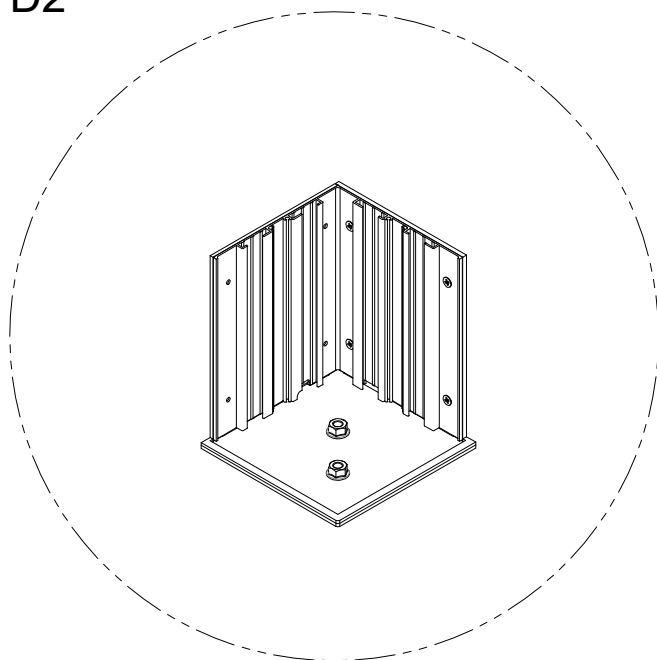


If your system is **4x4 meters**, then the X should be **404.8 cm**.
If your system is **4x5 meters**, then the X should be **509.6 cm**.

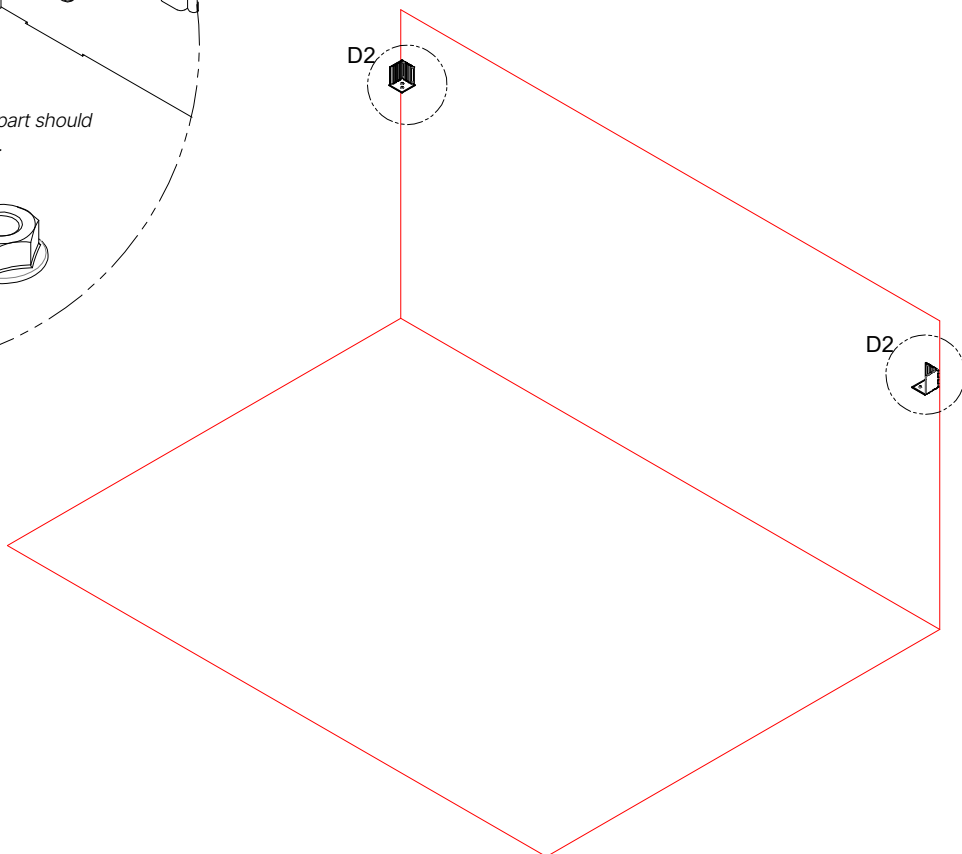
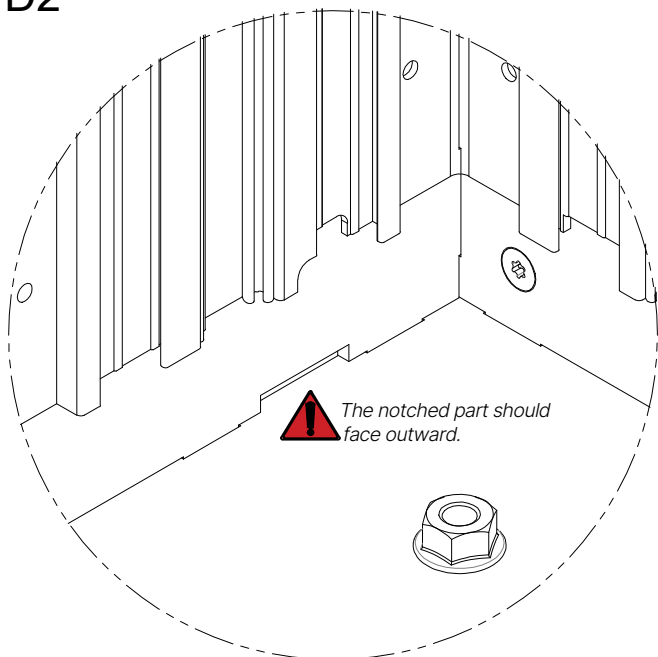
D2



D2

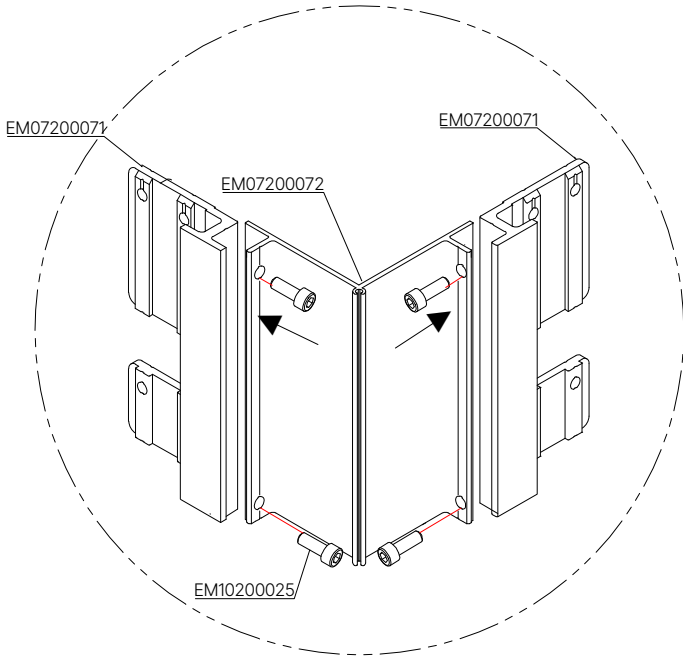


D2

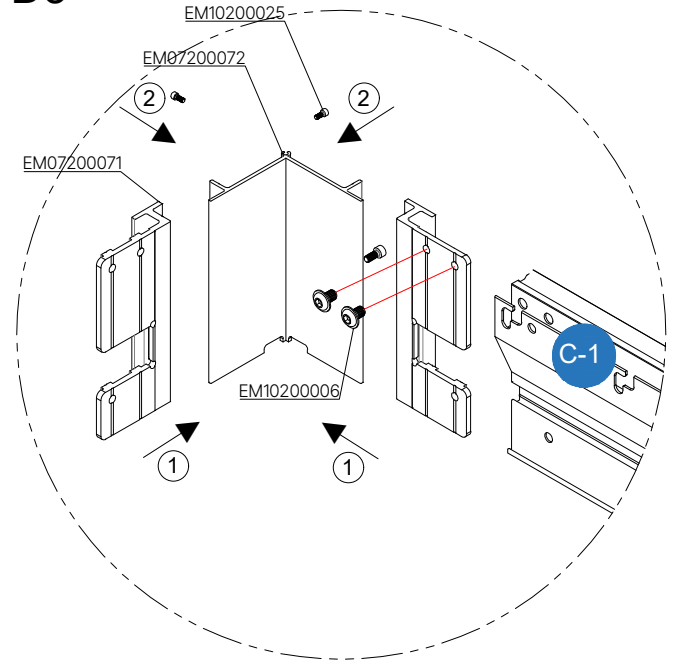


The wall anchor coded EM07300204 is placed in the position. The corner connection plate code EM07300206 is placed inside the anchor and fixed with screws code EM10100028.

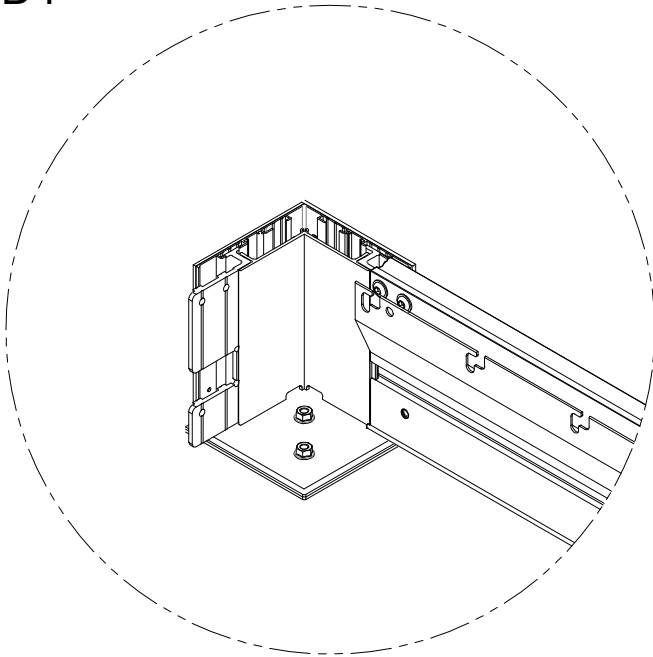
D3



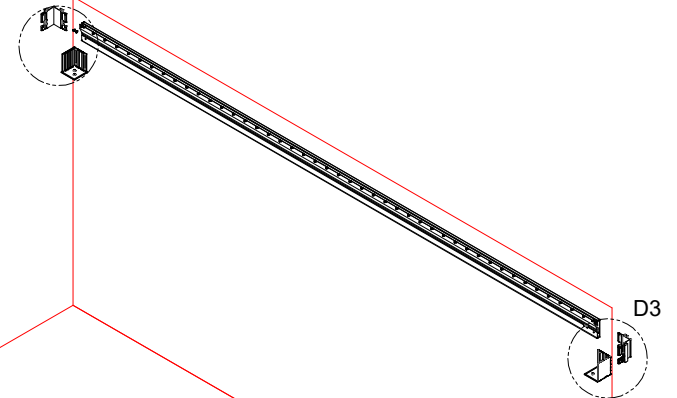
D3



D4

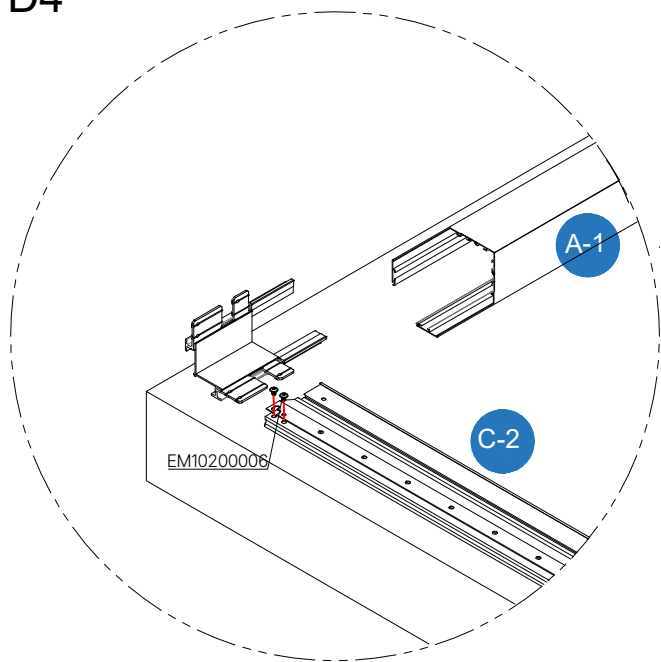


D3

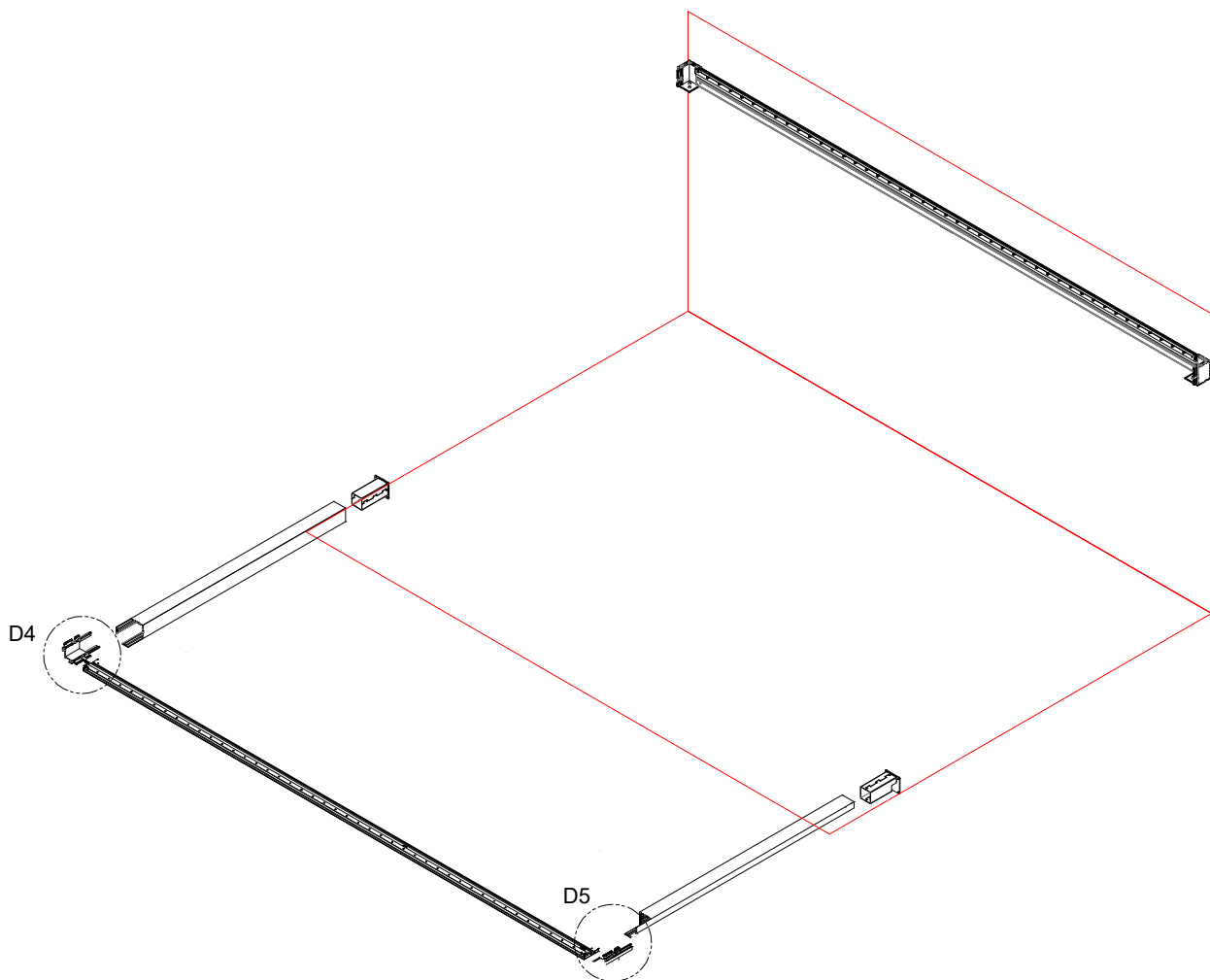
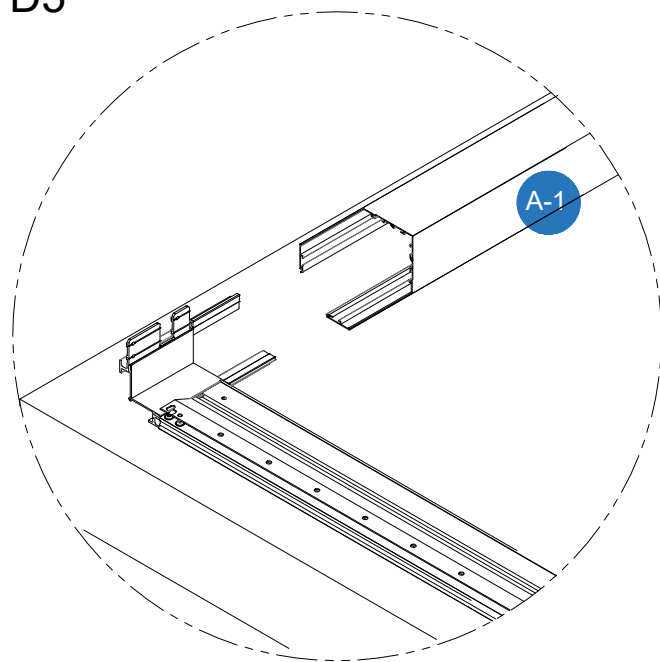


The C2 coded profile with corner connections fixed is inserted into the pillars (M7037). It is screwed through the screw channels on the C2 profile as shown in the figure.

D4

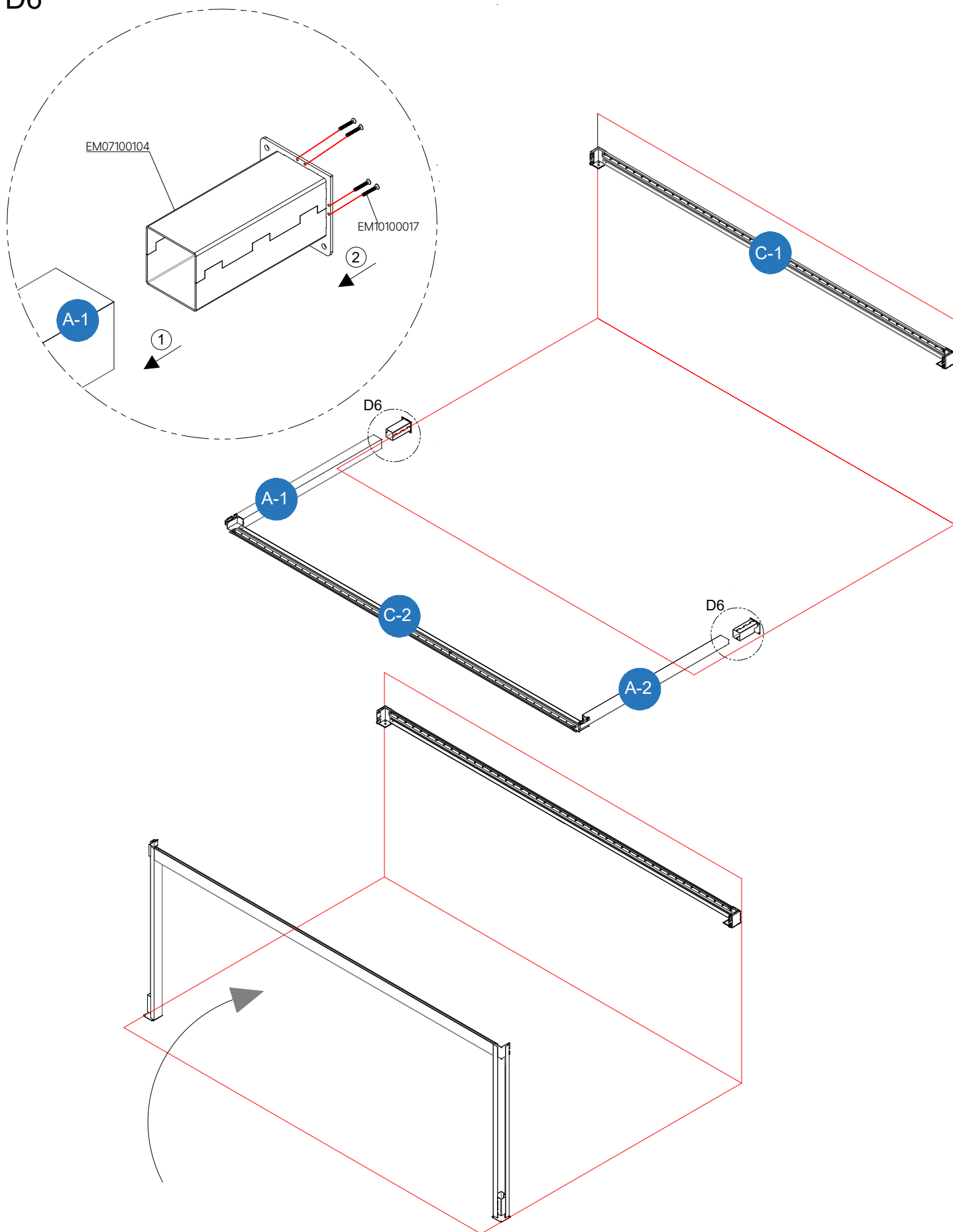


D5



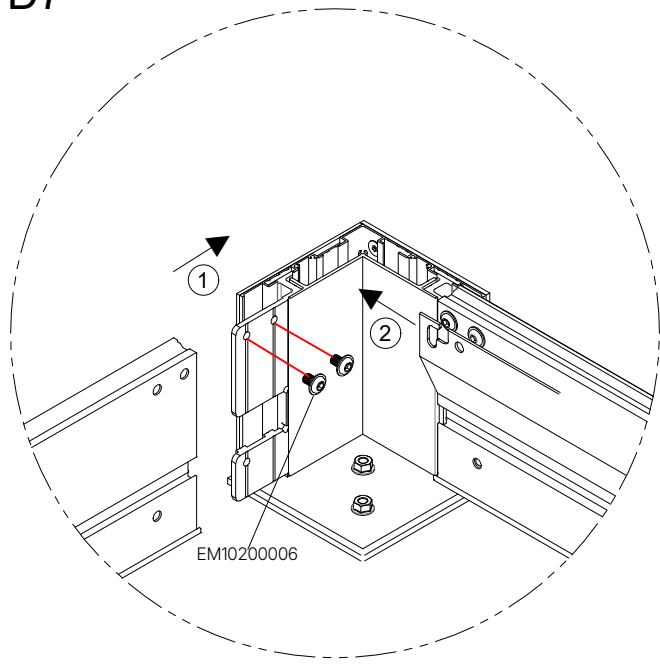
The C2 coded profile with corner connections fixed is inserted into the pillars (M7037). It is screwed through the screw channels on the C2 profile as shown in the figure.

D6

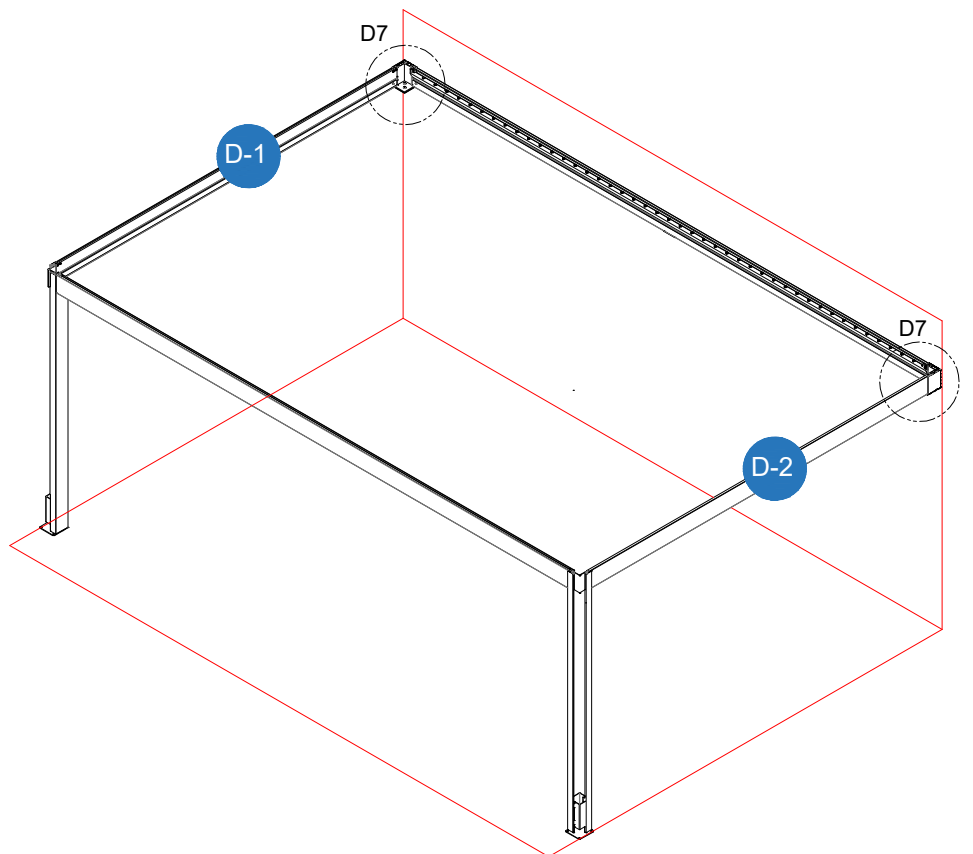
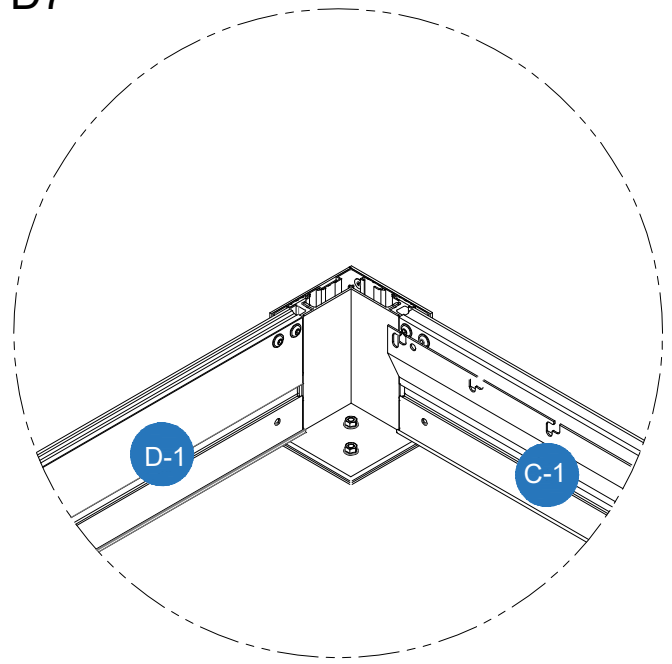


The accessory code EM07100104 is mounted on the pillars. The C2 coded profile, which is shaped like a U on the ground, is lifted as shown in the figure.

D7

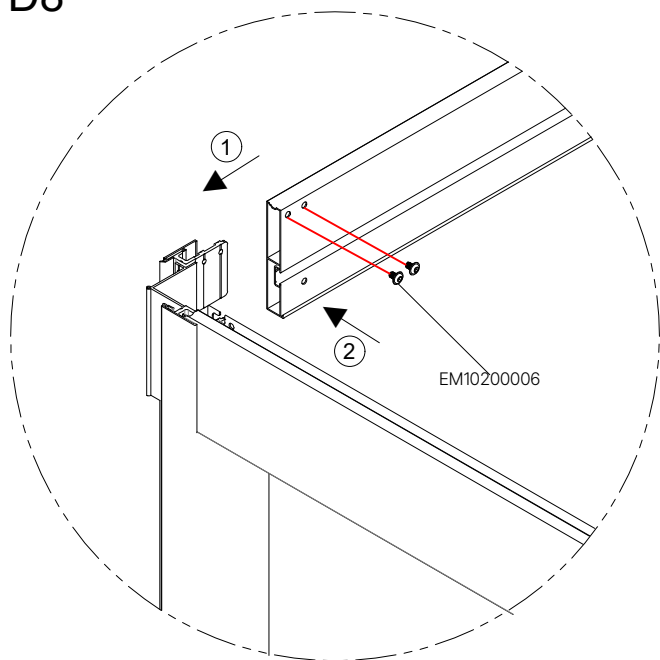


D7

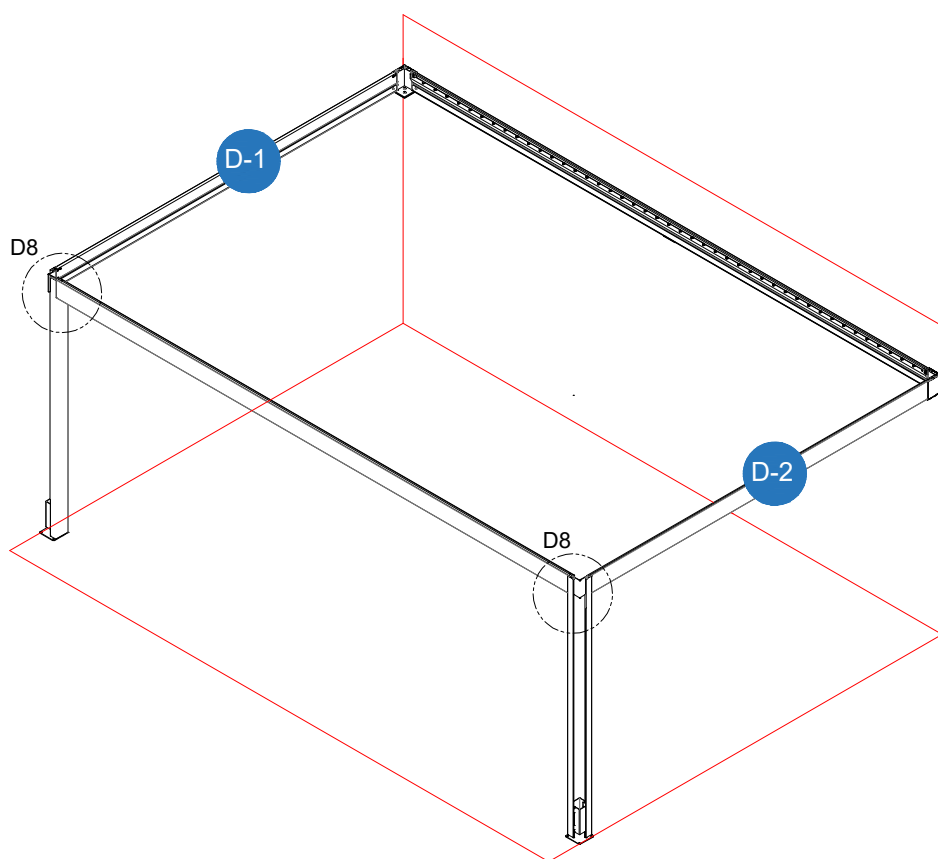
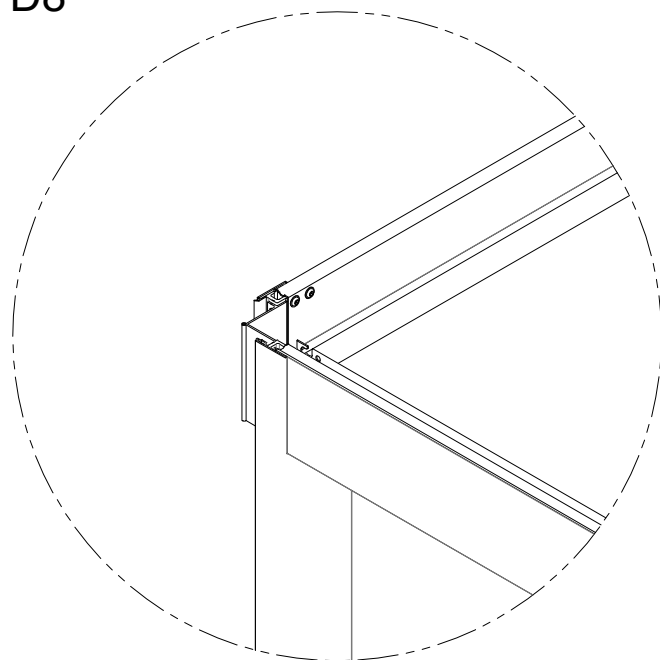


D1 coded profile is inserted to the corner connections as shown in the figure. It is fixed with corner connections by inserting screws with code EM10200006 from the screw channels on the right and left of the profile.

D8

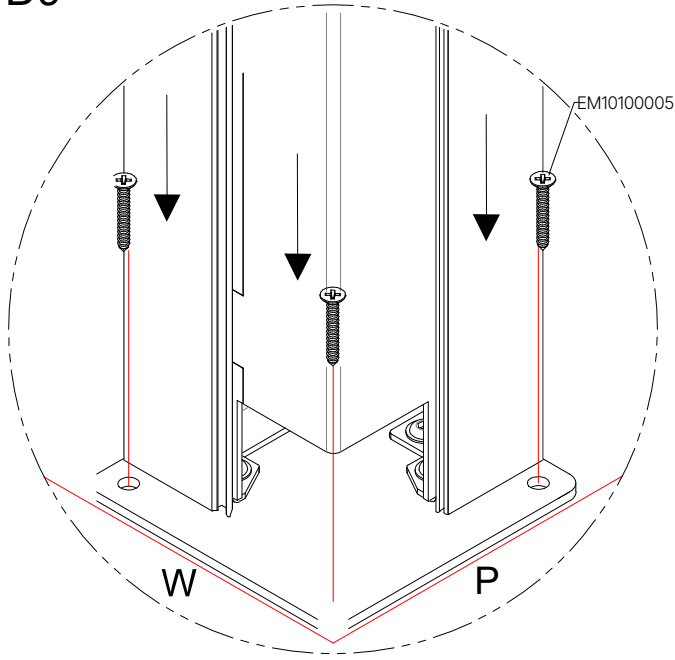


D8

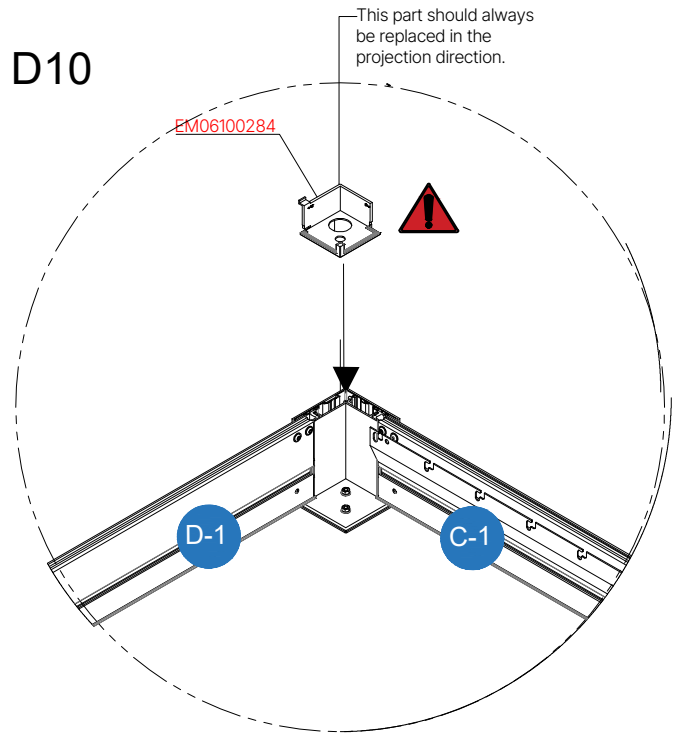


D1 coded profile is inserted to the corner connections as shown in the figure. It is fixed with corner connections by inserting screws with code EM10200006 from the screw channels on the right and left of the profile.

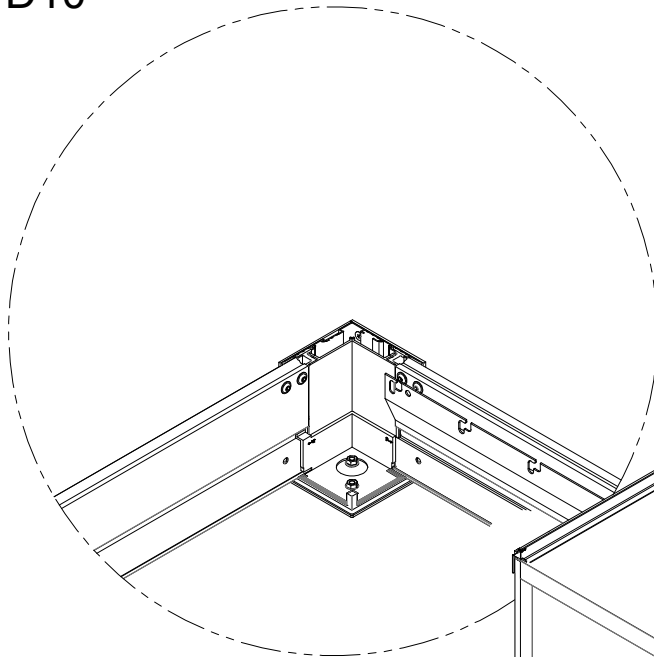
D9



D10

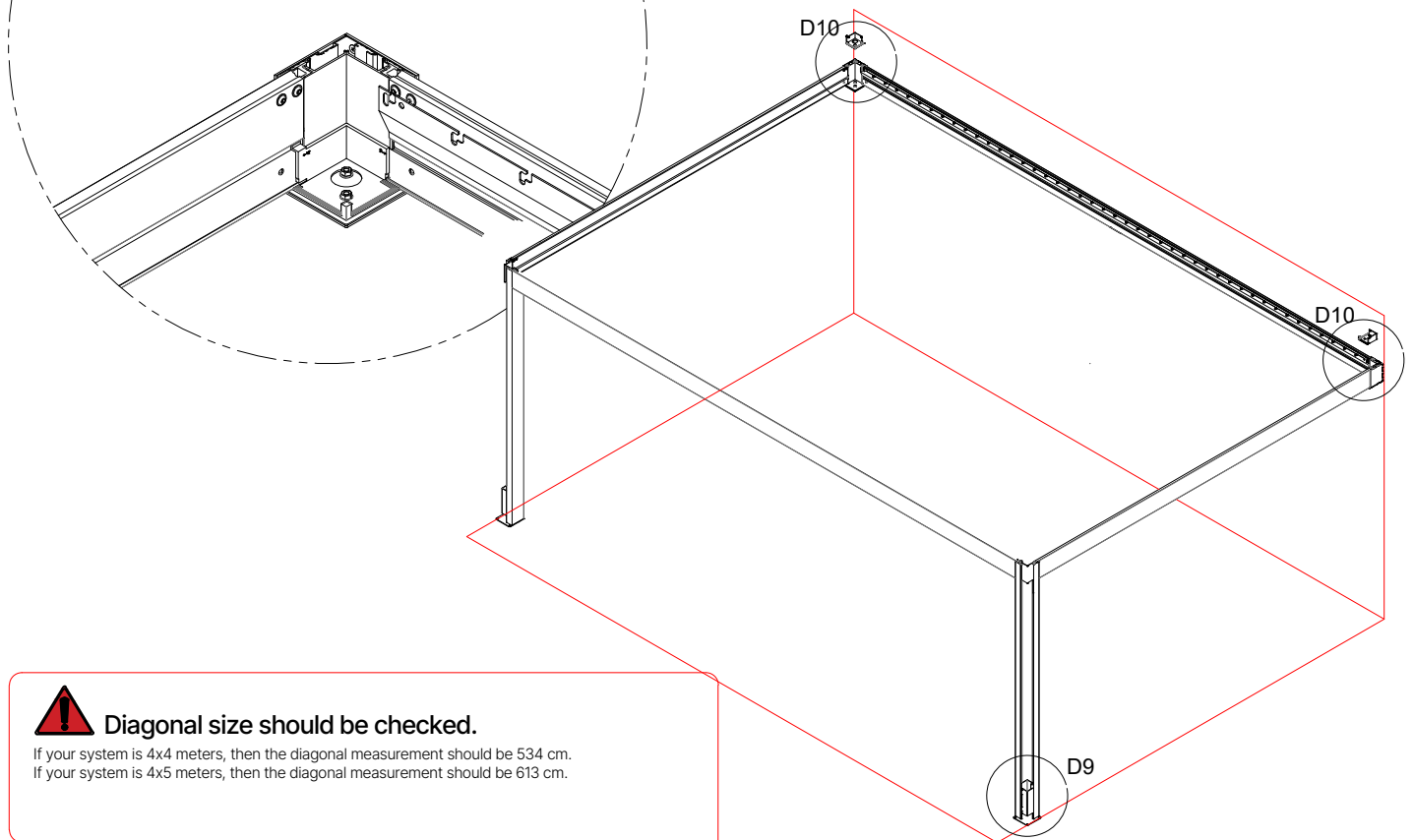


D10



Attention

Apply the cable detail only to the accessory on the motor side. Watch the video titled "Step 5" for a detailed view.

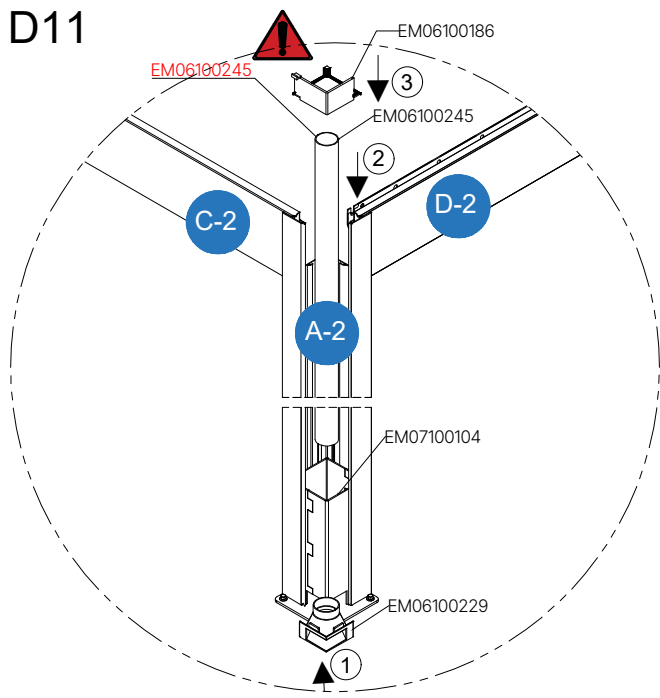


Diagonal size should be checked.

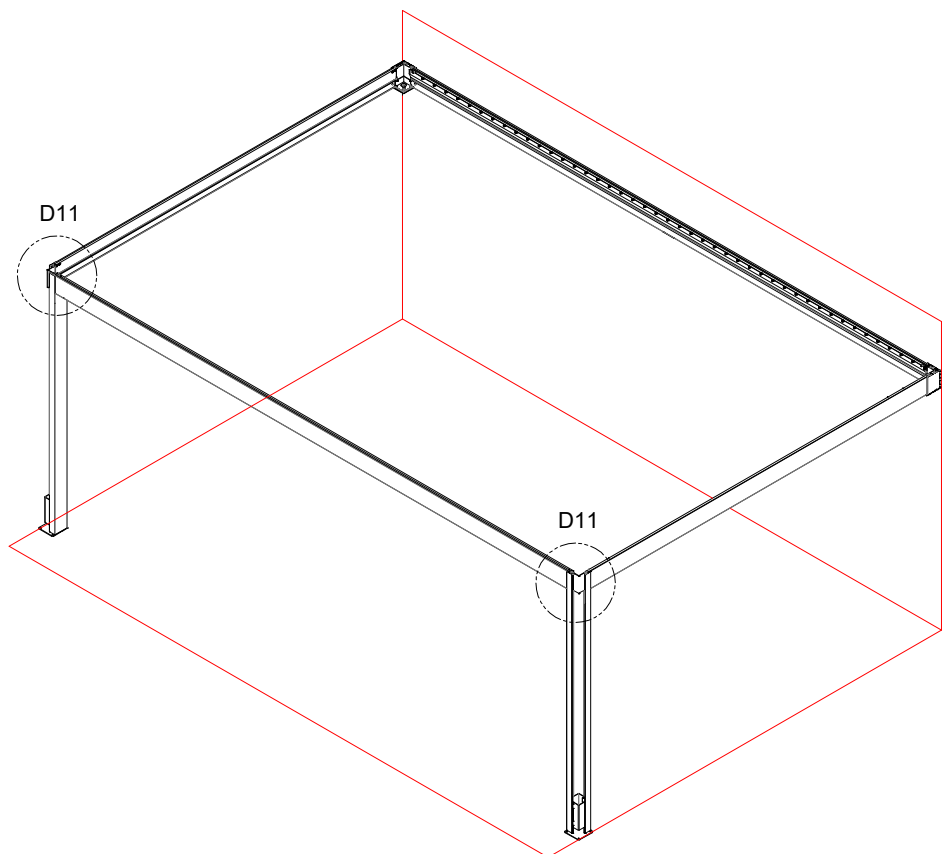
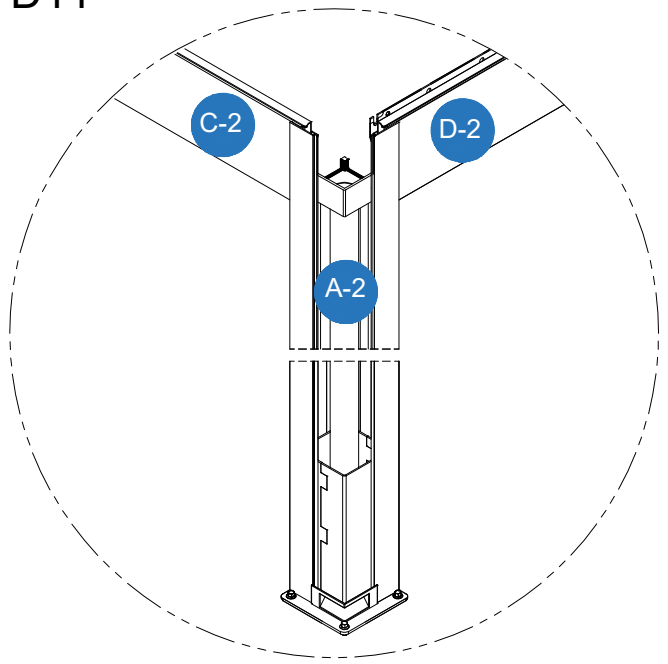
If your system is 4x4 meters, then the diagonal measurement should be 534 cm.
If your system is 4x5 meters, then the diagonal measurement should be 613 cm.

As shown in the figure, the diagonal dimensions of the system are checked. If the measurement is not correct, it is brought to the required size and the system is fixed by using ground screws. Water drain plugs are attached to the pillars on the front of the system. The pipe is passed from above and attached to the plugs. Rubbers are attached to the four corners. The rubbers on the part where the pipe is located (the two rubbers on the front face of the system) should be cut with a carpet knife from the circular area.

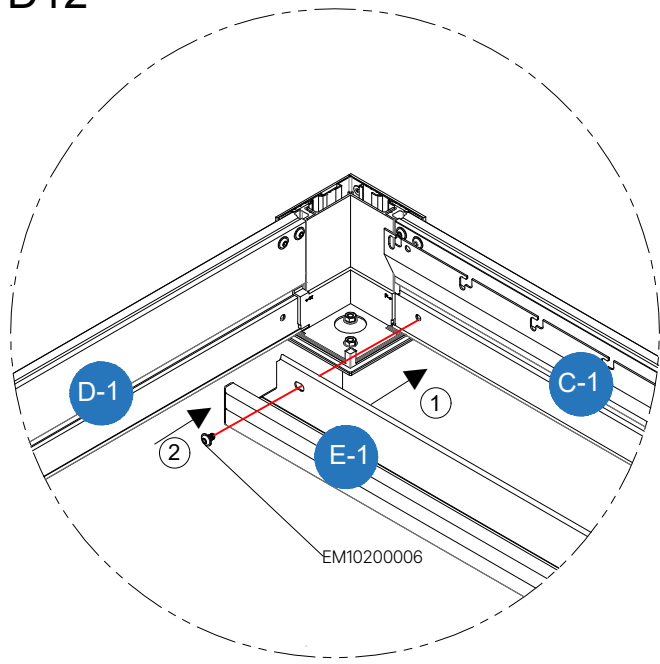
D11



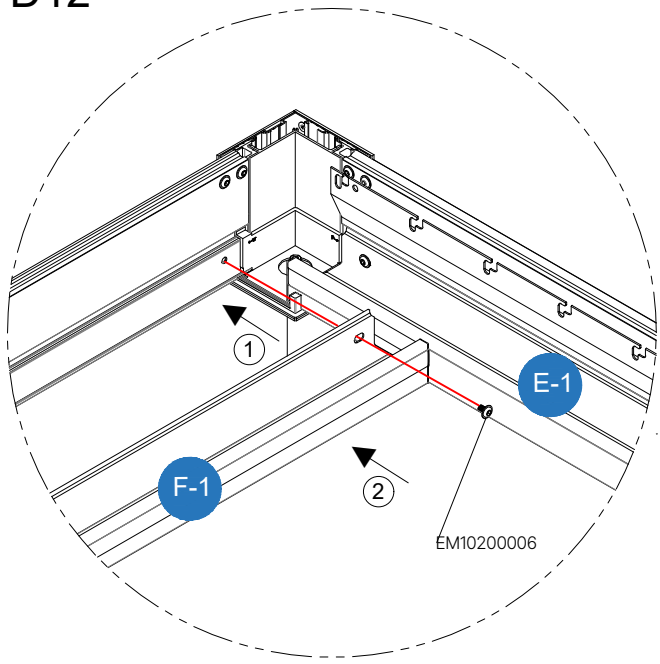
D11



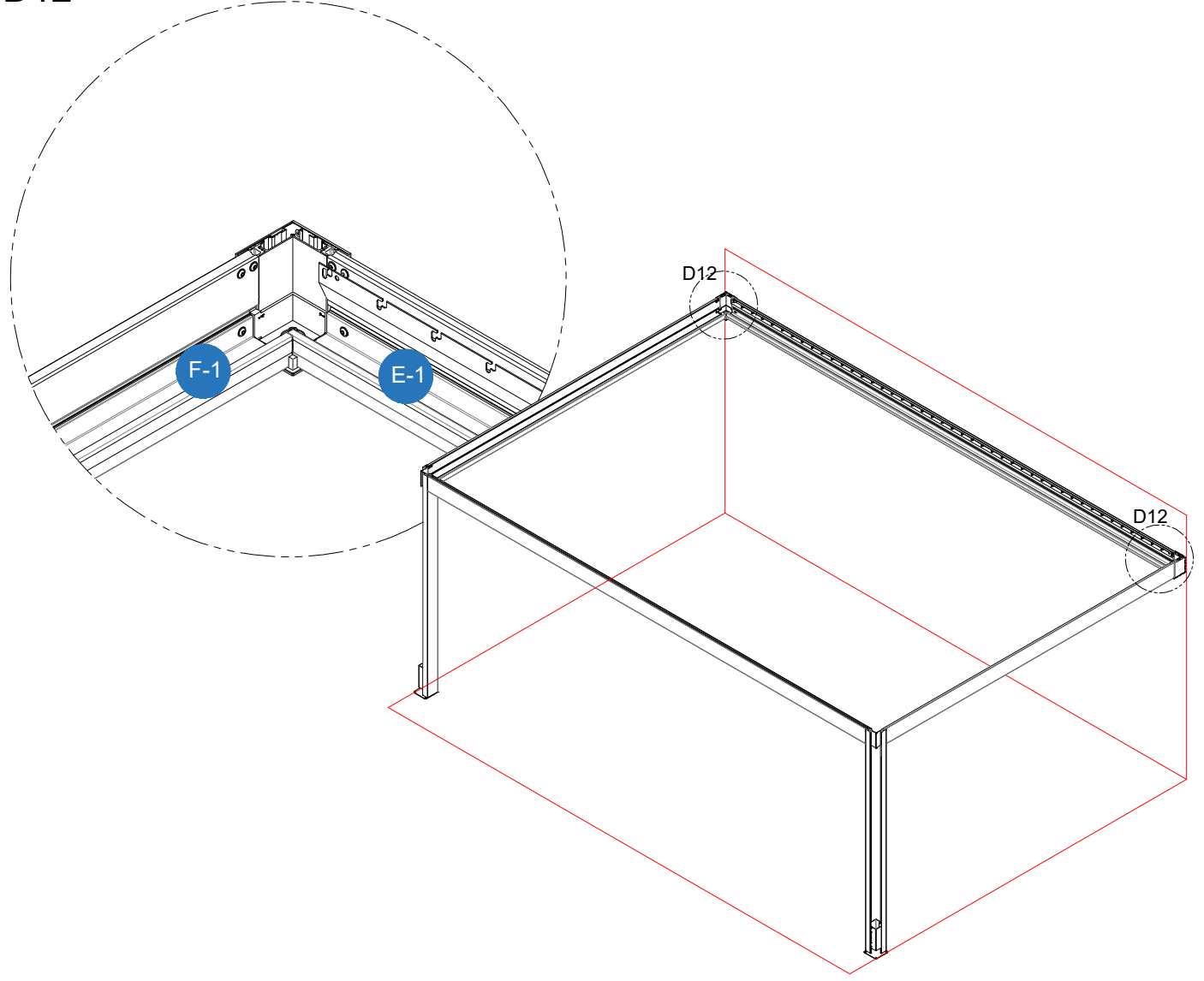
D12



D12

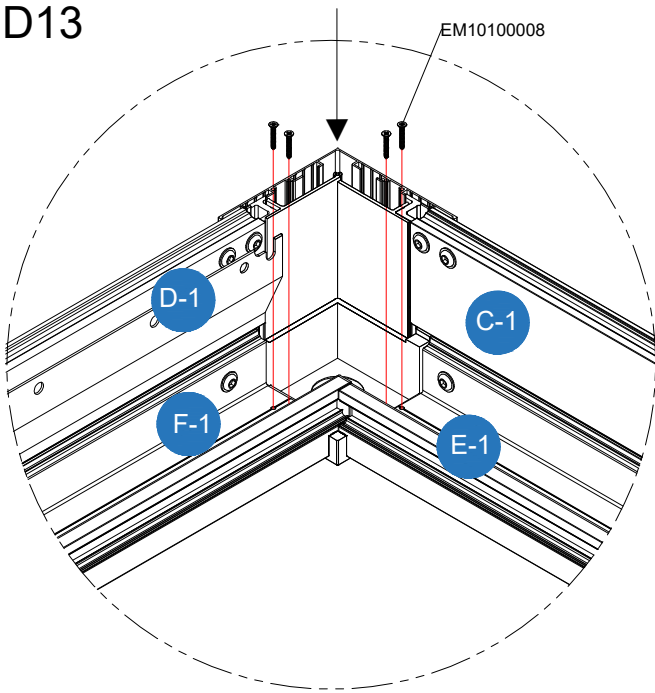


D12

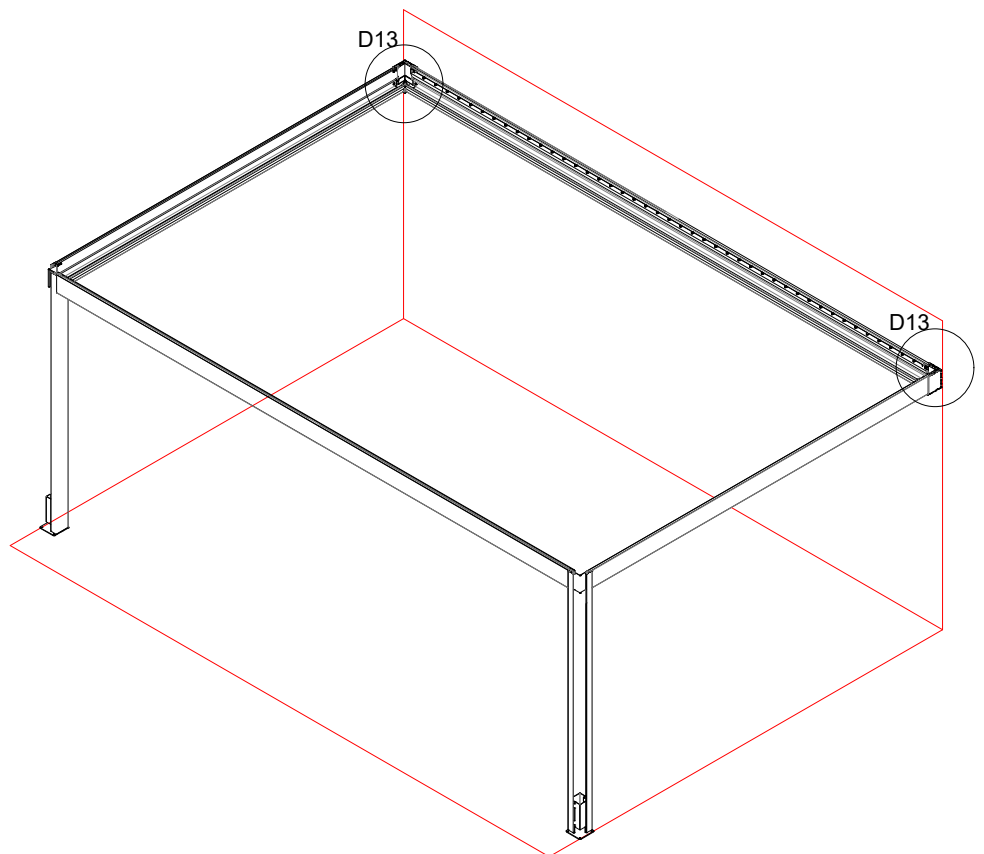
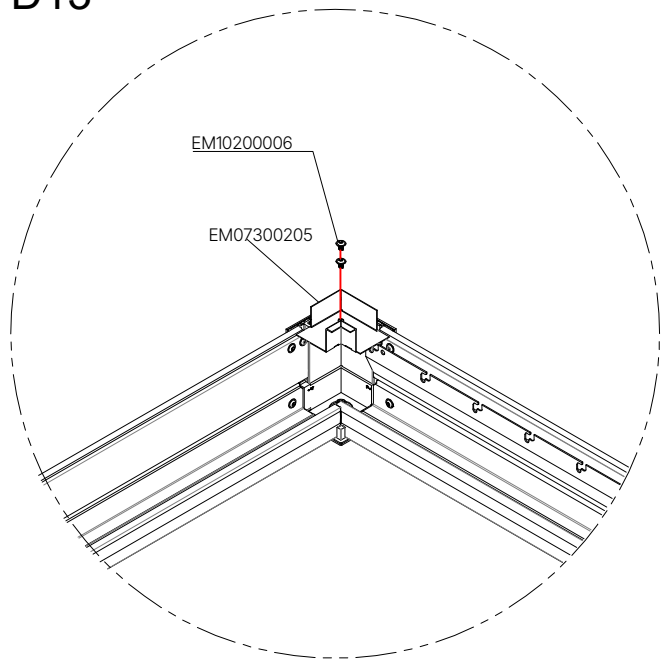


All gutters are fixed by screwing them from above with the screw code EM10200006 from each corner as shown in the figure.

D13

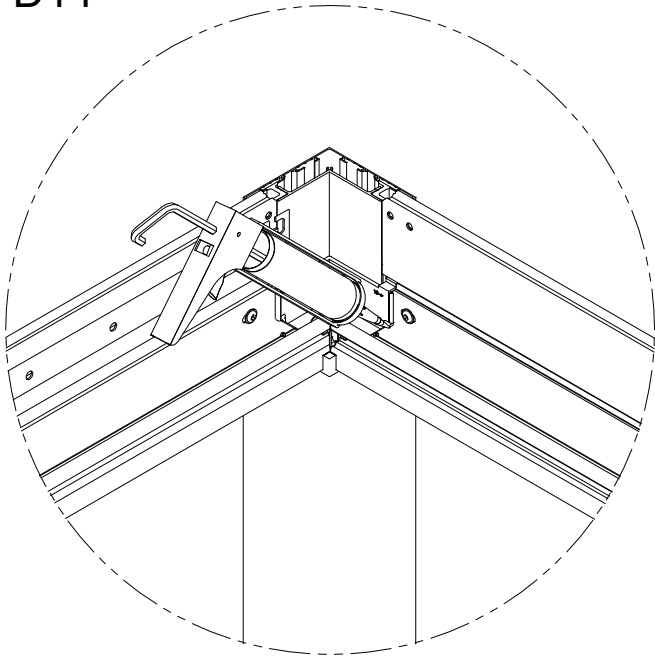


D13

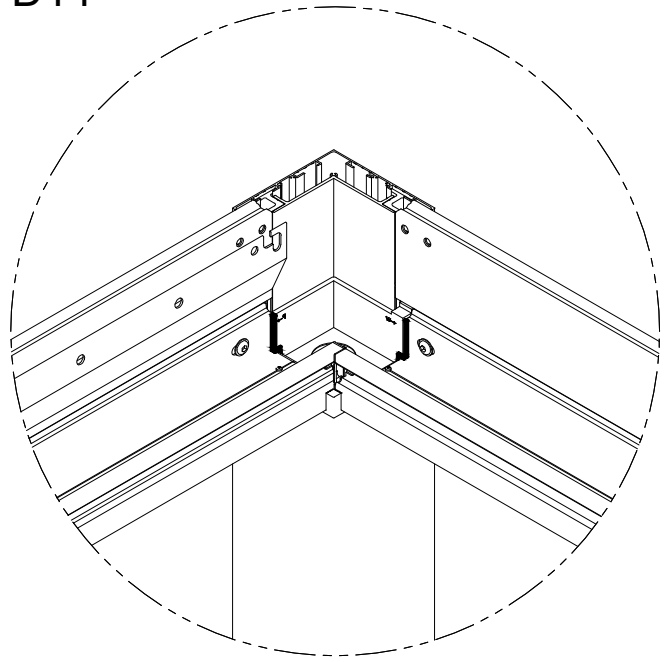


The wall connection plate coded EM07200079 is fixed to the wall with screws coded EM10100030 and EM10100028, as shown in the figure. Then, the accessory coded EM07300205 is fixed to all corners with screws coded EM10200006.

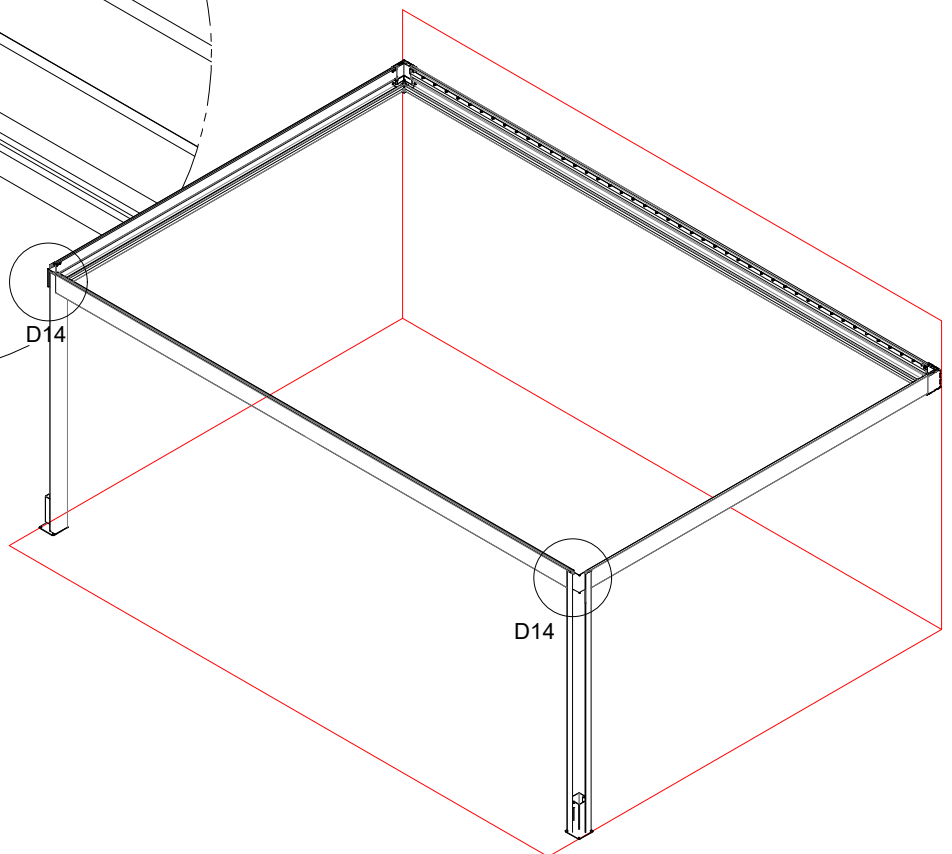
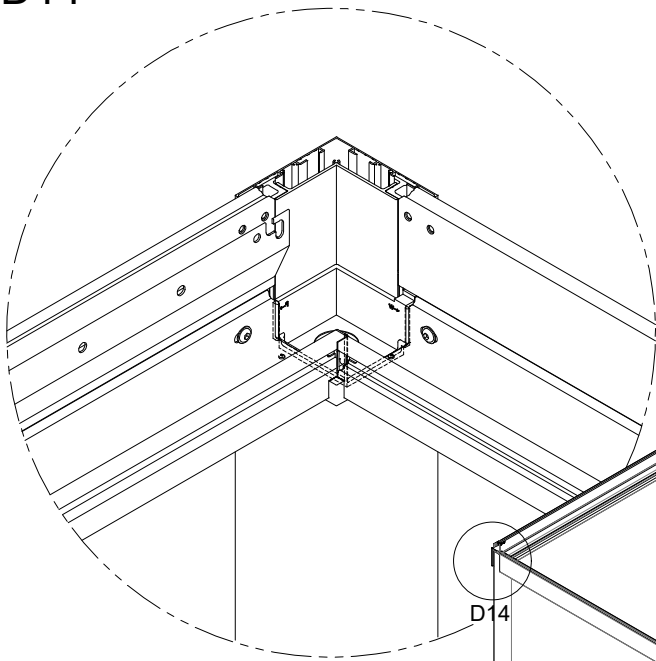
D14



D14



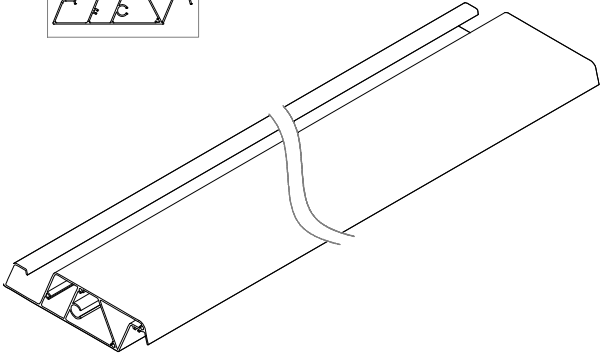
D14



Silicone should be applied to the junction of the rubbers (EM06100186) on the 2 corners, as shown in the figure.

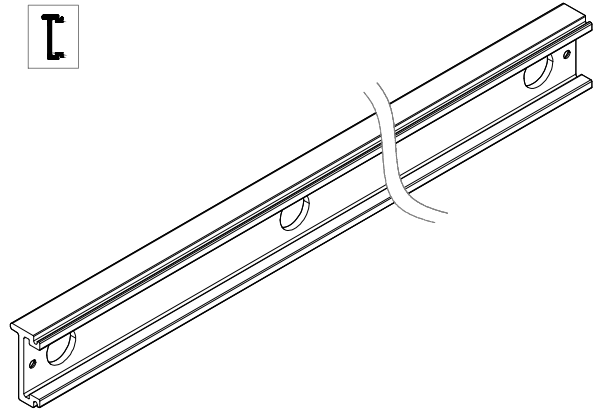
Ecoclimatic Profiles For Second Step

M7400



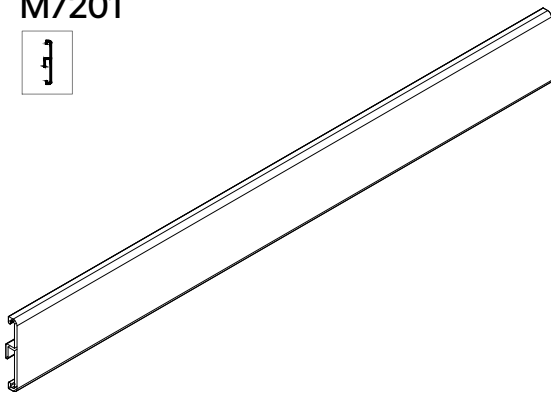
For 4x4 meters systems : 30 pcs
For 4x5 meters systems : 38 pcs

M7031



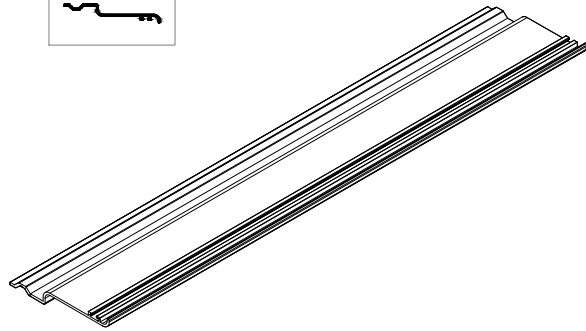
For 4x4 meters systems : 2 pcs
For 4x5 meters systems : 2 pcs

M7201



For 4x4 meters systems : 2 pcs
For 4x5 meters systems : 2 pcs

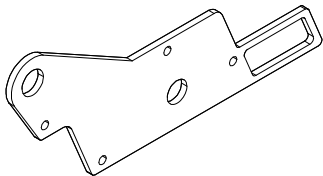
M7029



For 4x4 meters systems : 2 pcs
For 4x5 meters systems : 2 pcs

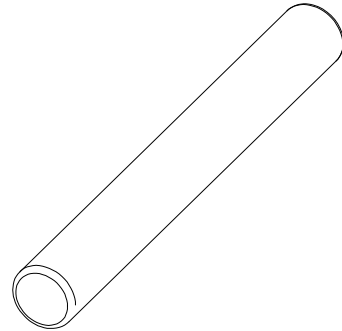
Ecoclimatic Accessories For Second Step

EM07100191



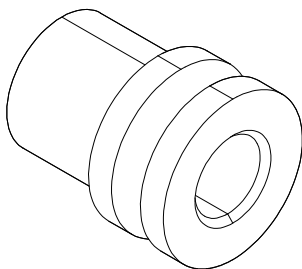
*For 4x4 meters systems : 59 pcs
For 4x5 meters systems : 75 pcs*

EM07300164



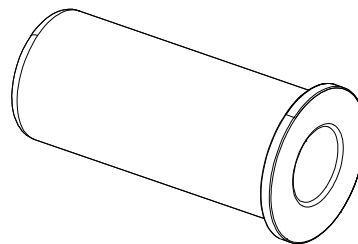
*For 4x4 meters systems : 60 pcs
For 4x5 meters systems : 76 pcs*

EM06100202



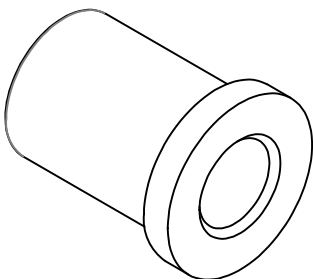
*For 4x4 meters systems : 30 pcs
For 4x5 meters systems : 38 pcs*

EM06100203



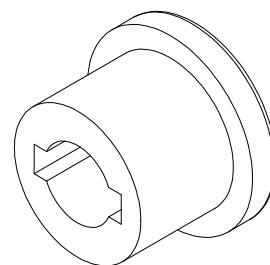
*For 4x4 meters systems : 60 pcs
For 4x5 meters systems : 76 pcs*

EM06100228
motor side



*For 4x4 meters systems : 30 pcs
For 4x5 meters systems : 38 pcs*

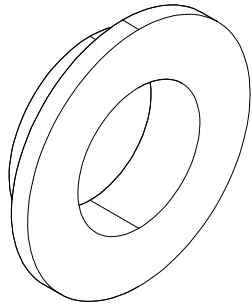
EM06100208



*For 4x4 meters systems : 60 pcs
For 4x5 meters systems : 76 pcs*

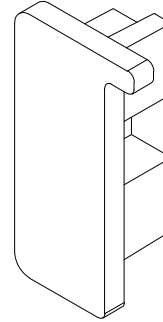
Ecoclimatic Accessories For Second Step

EM06100184



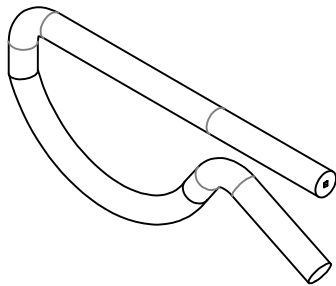
*For 4x4 meters systems : 60 pcs
For 4x5 meters systems : 76 pcs*

**EM06100279 - (Black)
EM06100278 - (White)**



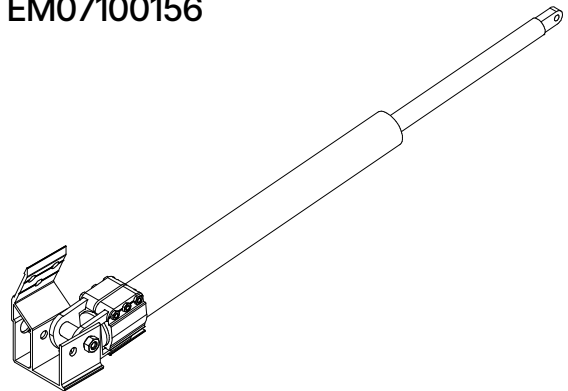
*For 4x4 meters systems : 4 pcs
For 4x5 meters systems : 4 pcs*

EM07400027



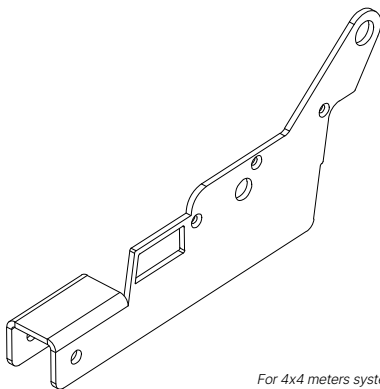
*For 4x4 meters systems : 60 pcs
For 4x5 meters systems : 76 pcs*

EM07100156



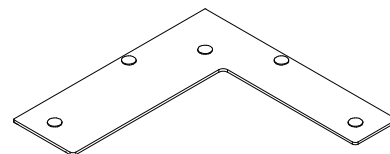
*For 4x4 meters systems : 1 pcs
For 4x5 meters systems : 1 pcs*

EM07100183



*For 4x4 meters systems : 1 pcs
For 4x5 meters systems : 1 pcs*

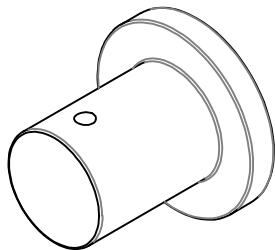
EM07100105



*For 4x4 meters systems : 4 pcs
For 4x5 meters systems : 4 pcs*

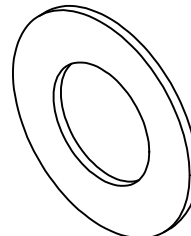
Ecoclimatic Accessories For Second Step

EM06100302



For 4x4 meters systems : 60 pcs
For 4x5 meters systems : 76 pcs

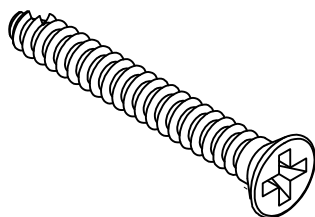
EM10400005



For 4x4 meters systems : 60 pcs
For 4x5 meters systems : 76 pcs

EM10100030

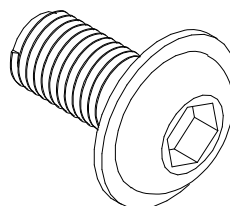
3,9x25mm Screw



For 4x4 meters systems : 46 pcs
For 4x5 meters systems : 46 pcs

EM10200030

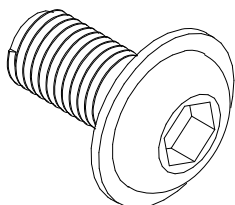
M6X35 Bolt



For 4x4 meters systems : 1 pcs
For 4x5 meters systems : 1 pcs

EM10200006

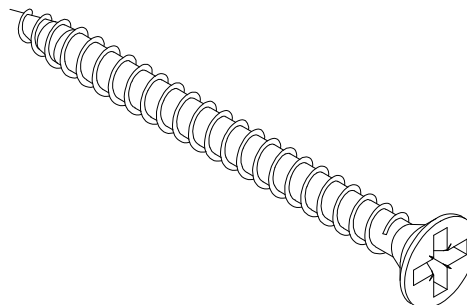
M8X12 Bolt



For 4x4 meters systems : 3 pcs
For 4x5 meters systems : 3 pcs

EM10100006

3,9x13mm Screw

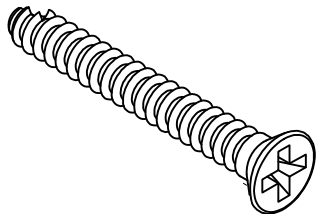


For 4x4 meters systems : 4 pcs
For 4x5 meters systems : 4 pcs

Ecoclimatic Accessories For Second Step

EM10100006

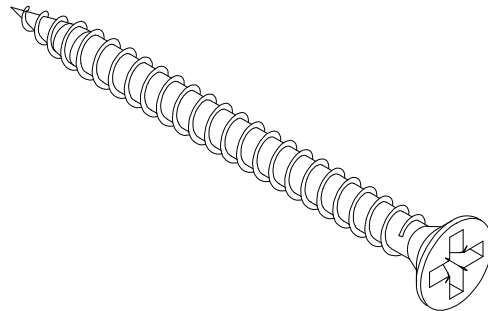
3,9x12mm Screw



*For 4x4 meters systems : 4 pcs
For 4x5 meters systems : 4 pcs*

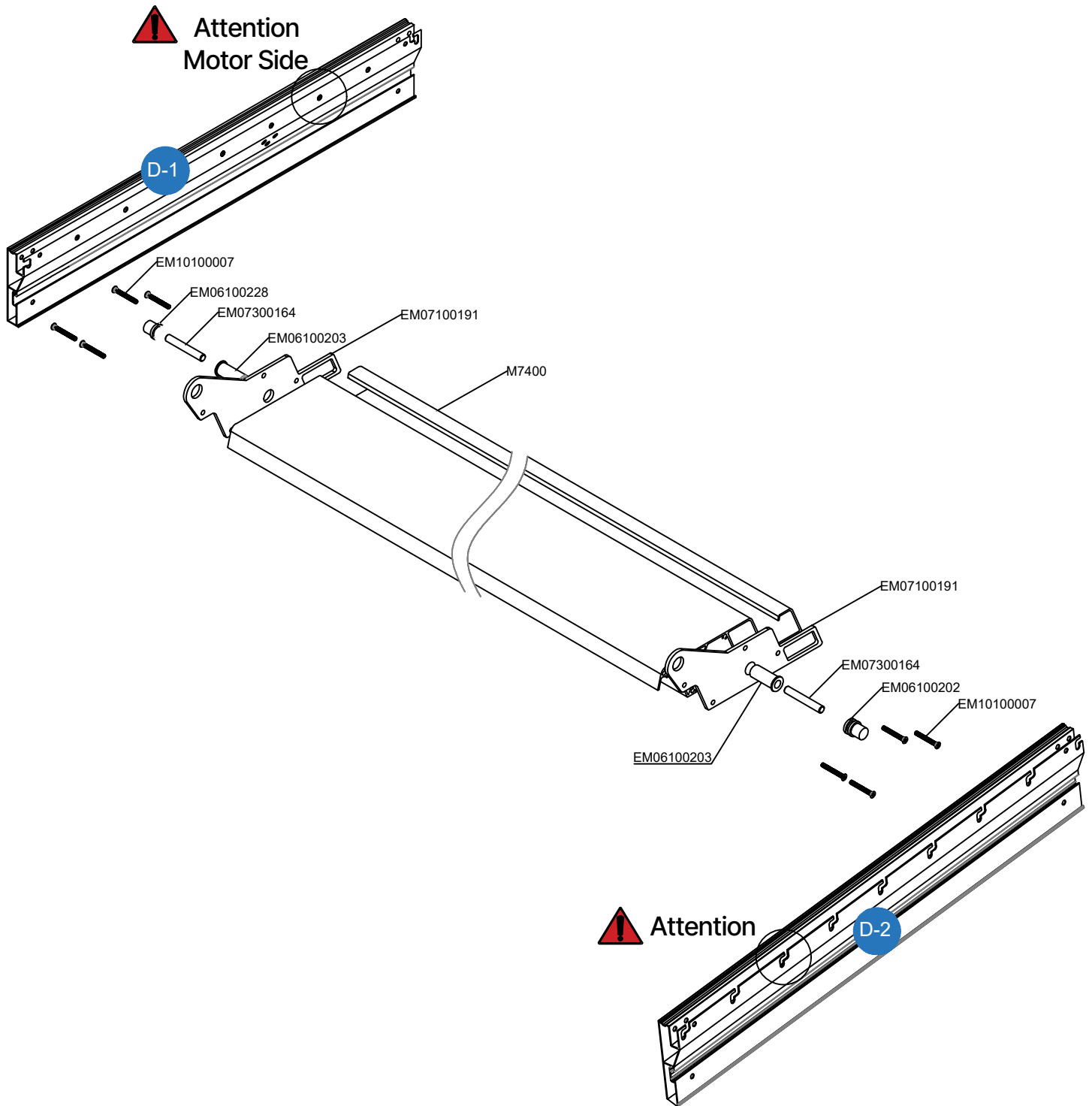
EM10100007

3,9x30mm Screw

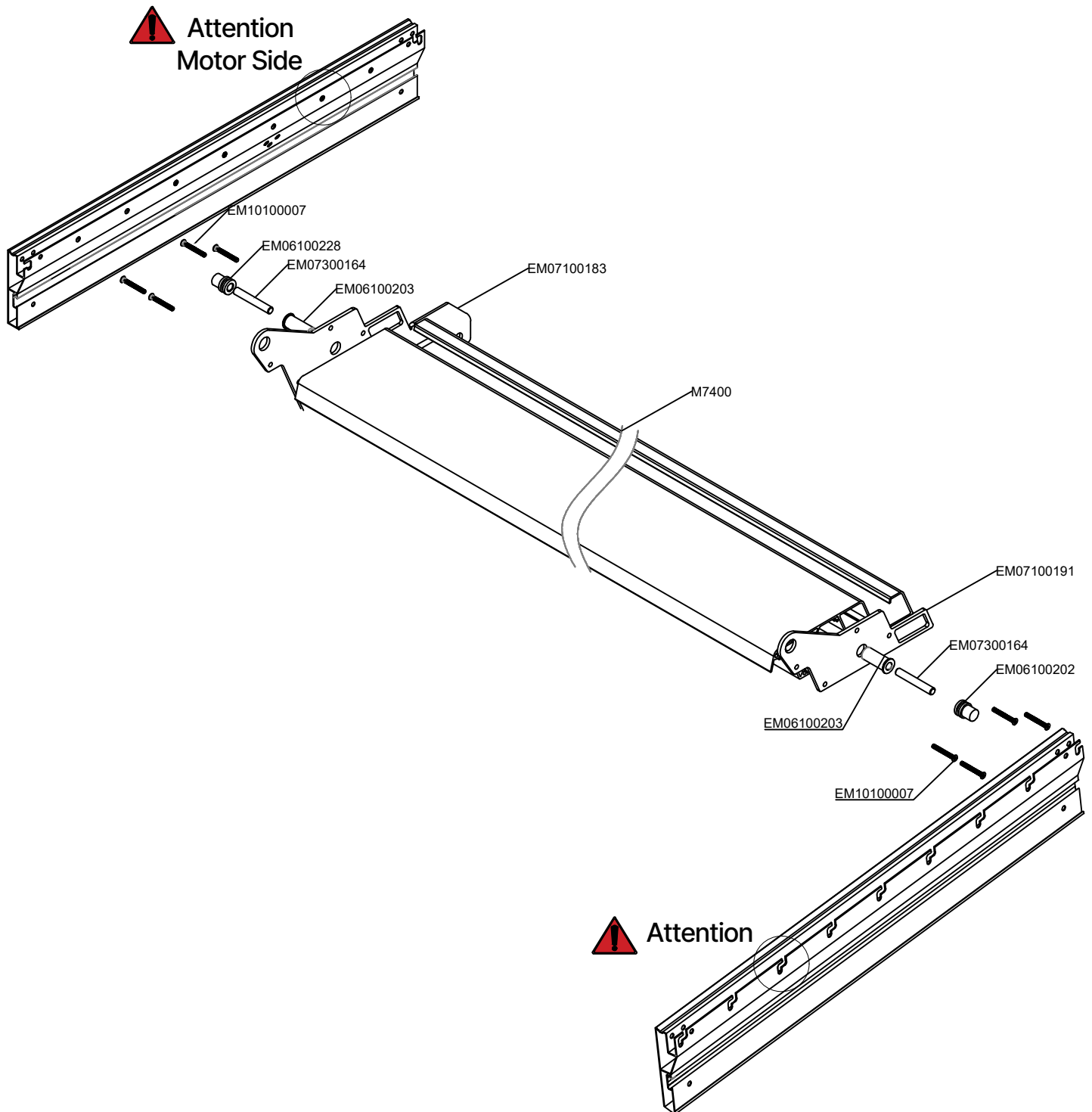


*For 4x4 meters systems : 250 pcs
For 4x5 meters systems : 314 pcs*

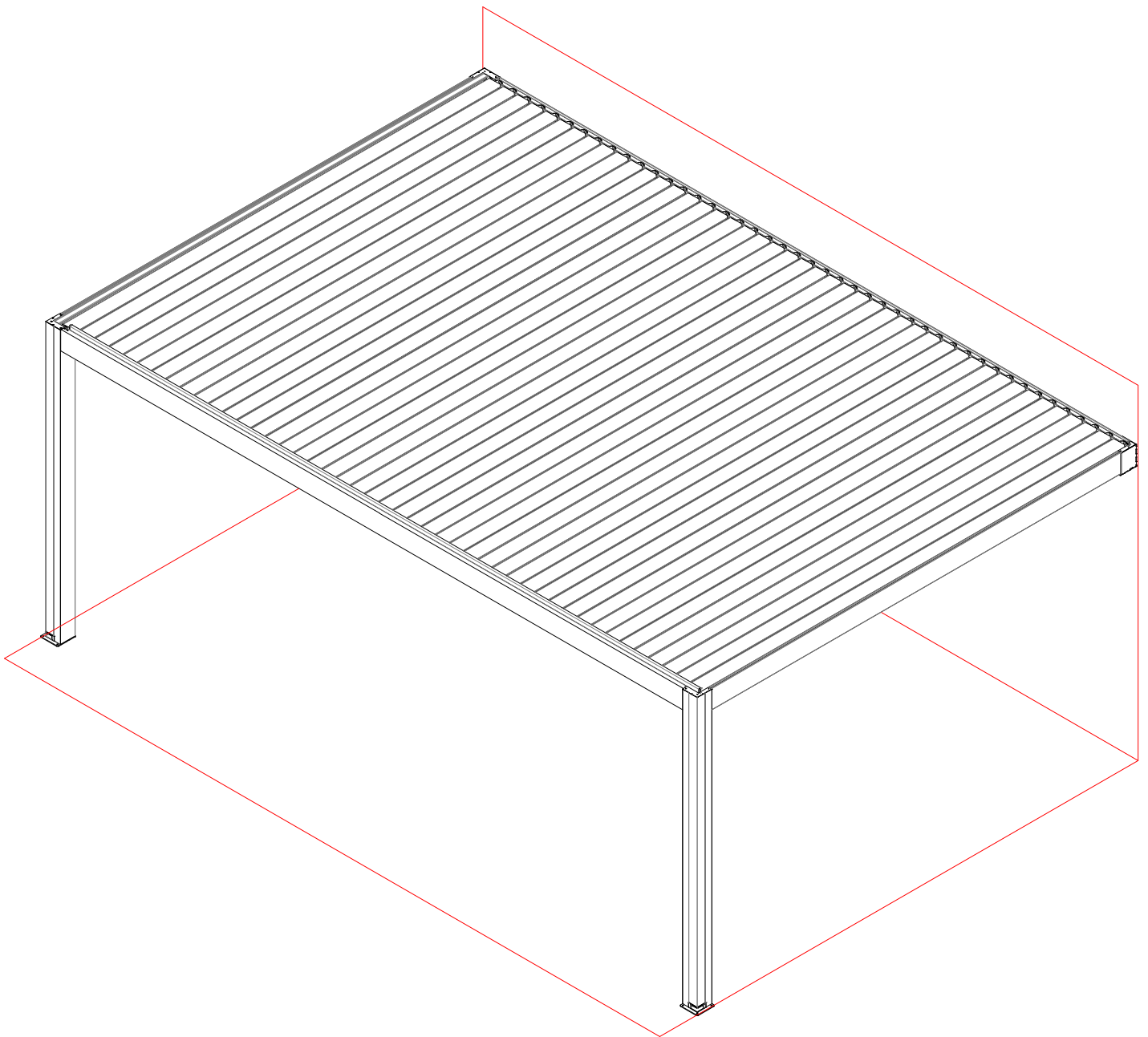
Ecoclimatic Second Step : Preparing Blades



Ecoclimatic Second Step : Preparing Motor Blade

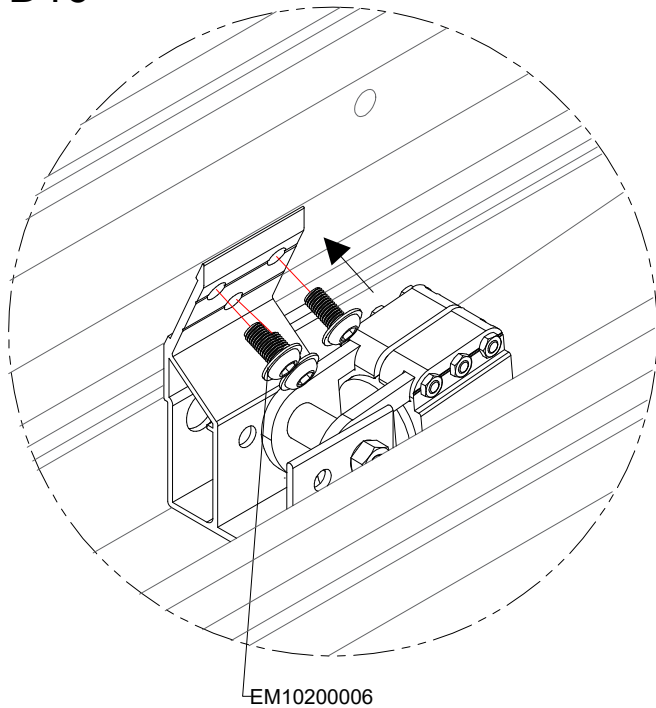


Ecoclimatic Second Step : Mounting Roof

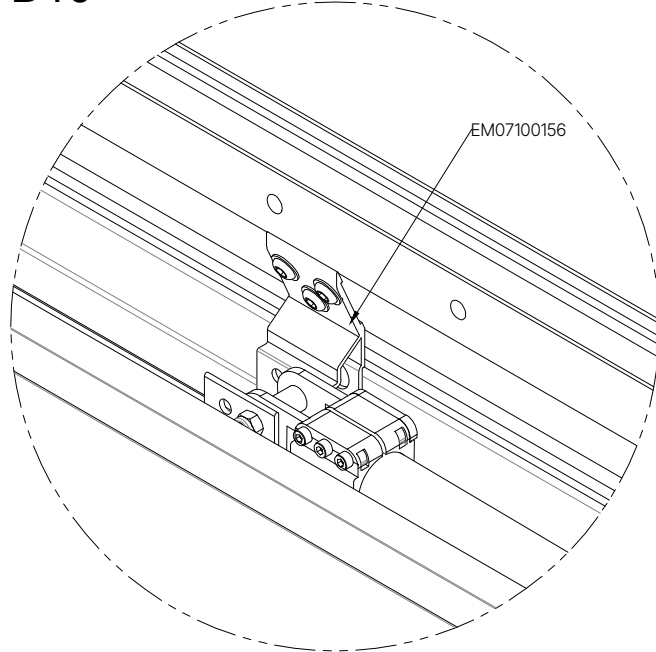


⚠ This Detail Belongs to 4x4 System

D16

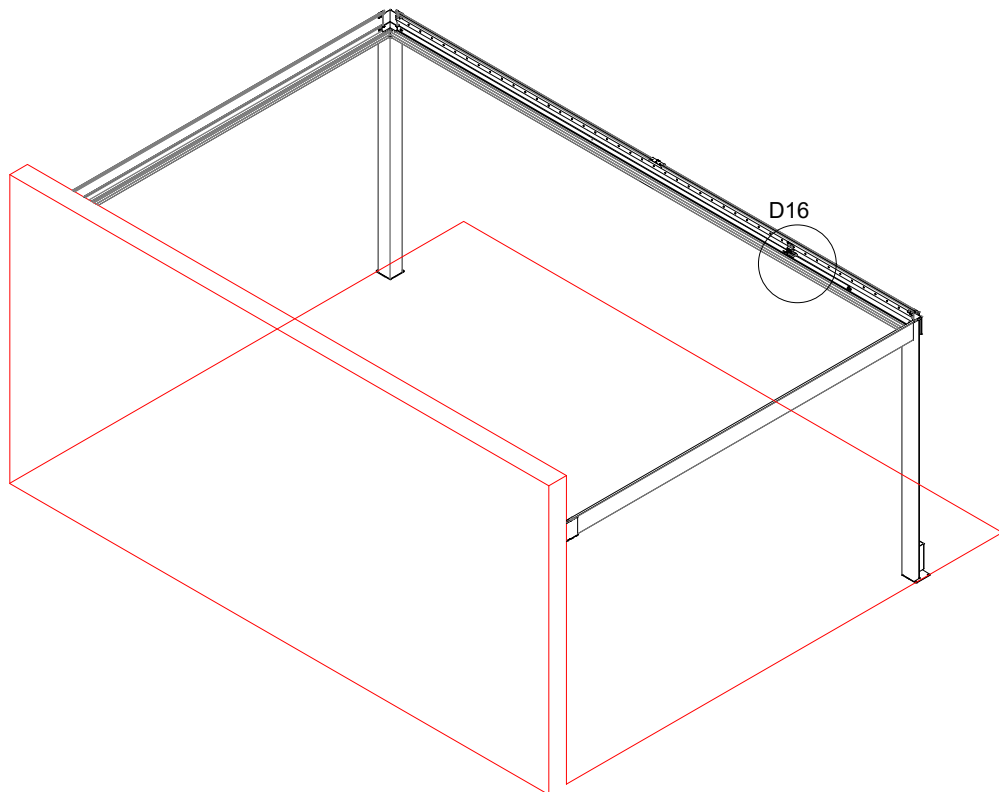


D16



⚠ Attention

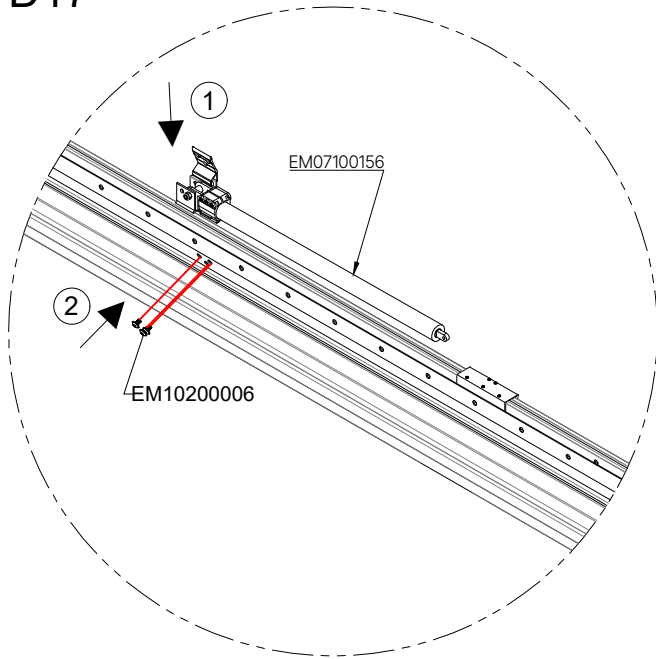
The details here apply to **4x4 meters**. This detail is also applied in the old version **4x5 meter** systems. If your system is **4x5 meters**, proceed to the next page.



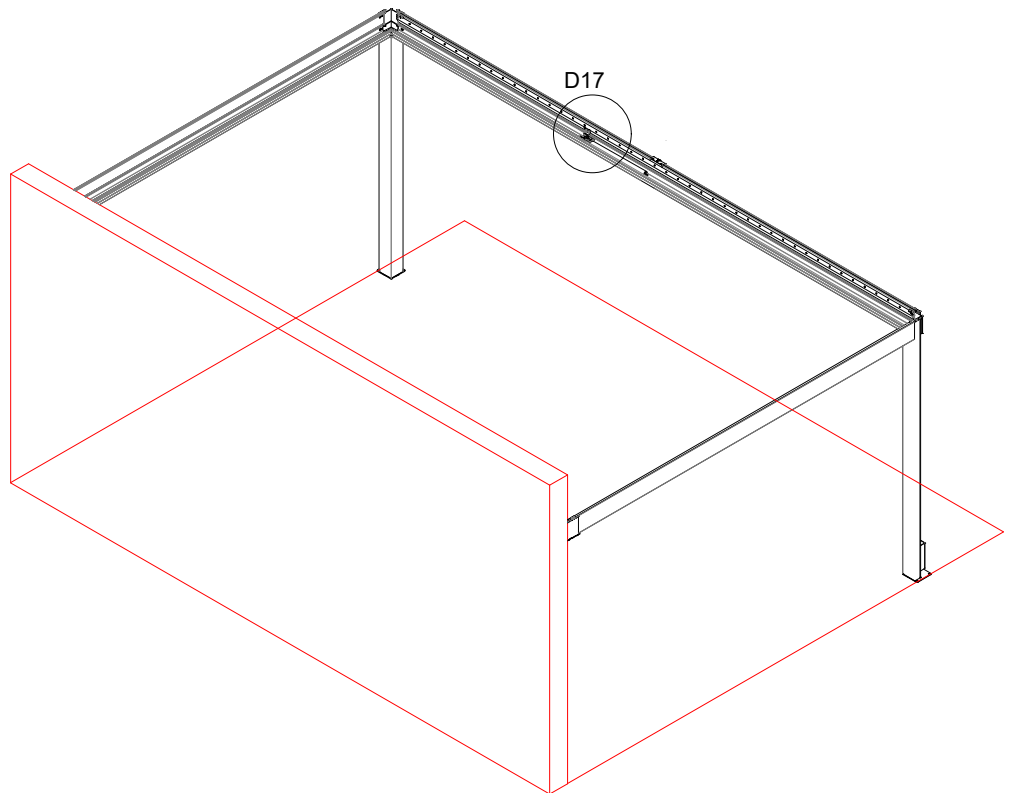
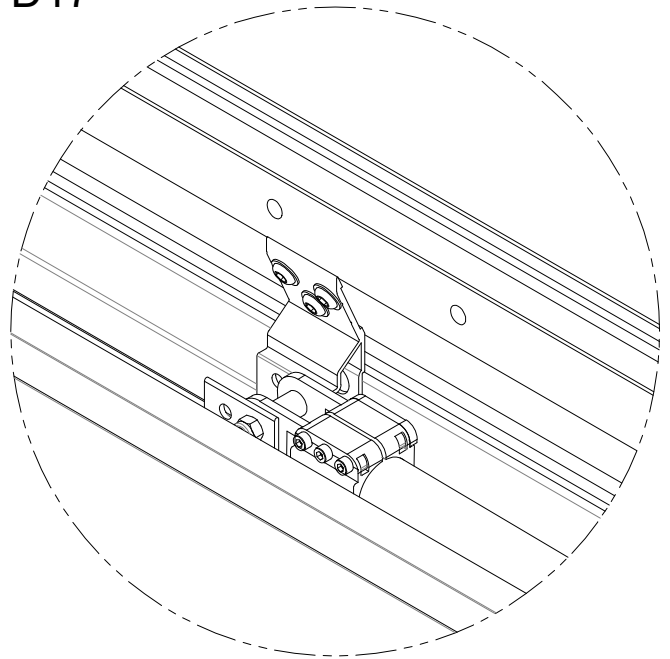
The EM07100156 coded motor is placed and screwed into the 3 holes drilled on the D1 coded profile.

⚠ This Detail Belongs to 4x5 System

D17



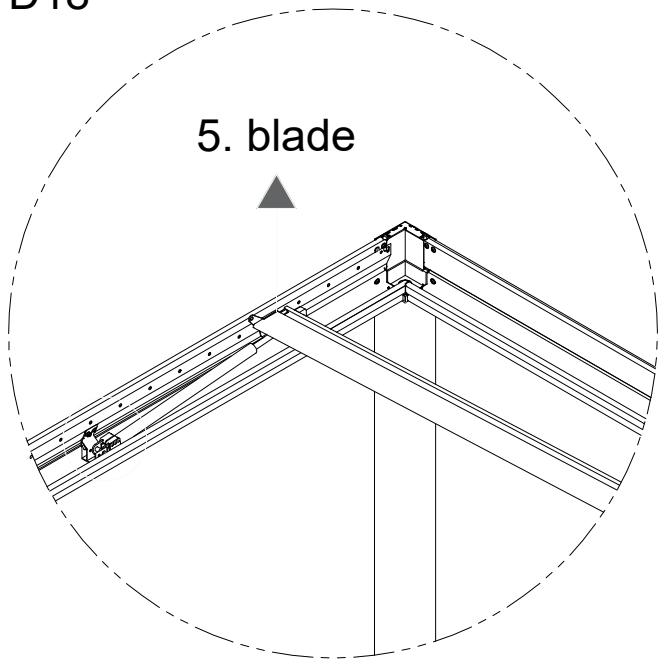
D17



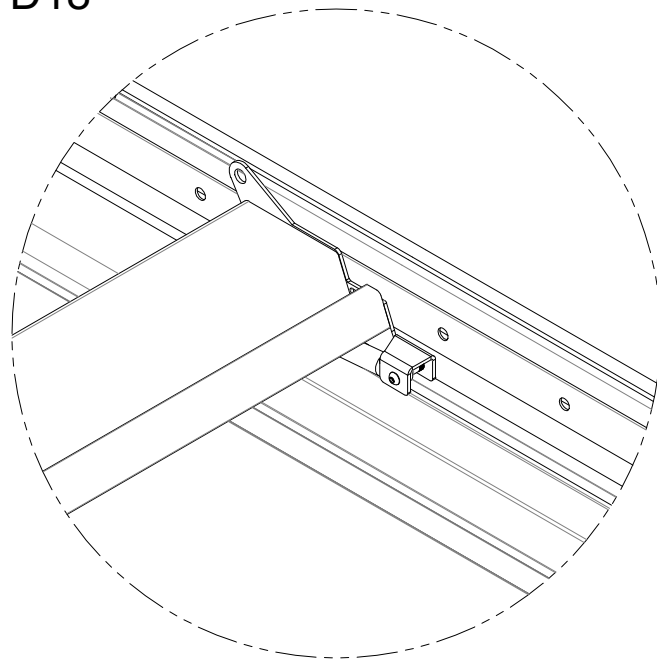
The EM07100156 coded motor is placed and screwed into the 3 holes drilled on the D1 coded profile.

⚠ This Detail Belongs to 4x4 System

D18

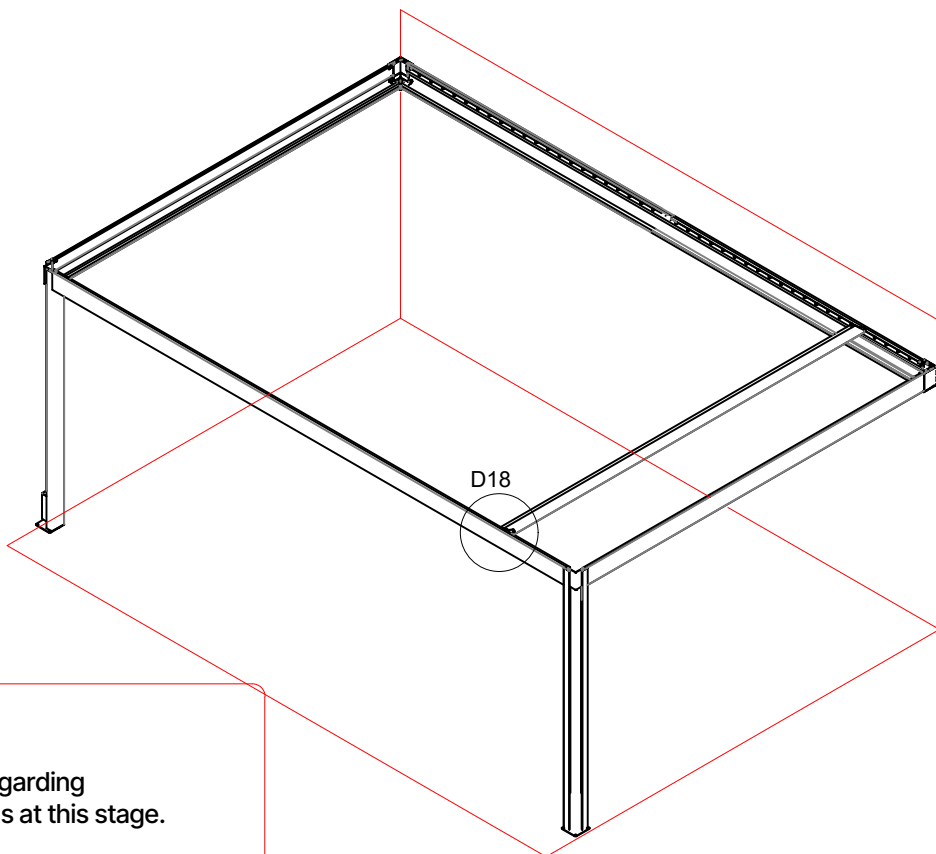


D18



⚠ Attention

The details here apply to **4x4 meters**. This detail is also applied in the old version **4x5 meter** systems. If your system is **4x5 meters**, proceed to the next page.



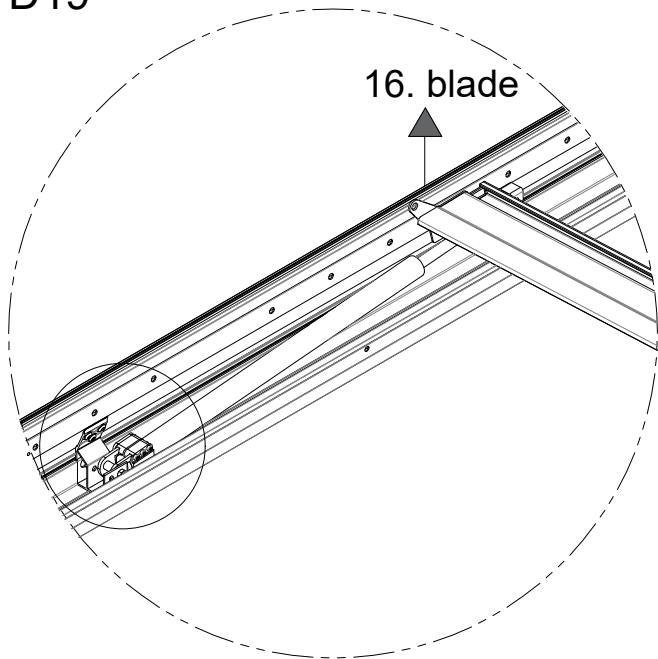
⚠ Attention

Please see page 41 for instructions regarding LED and cable connection applications at this stage.

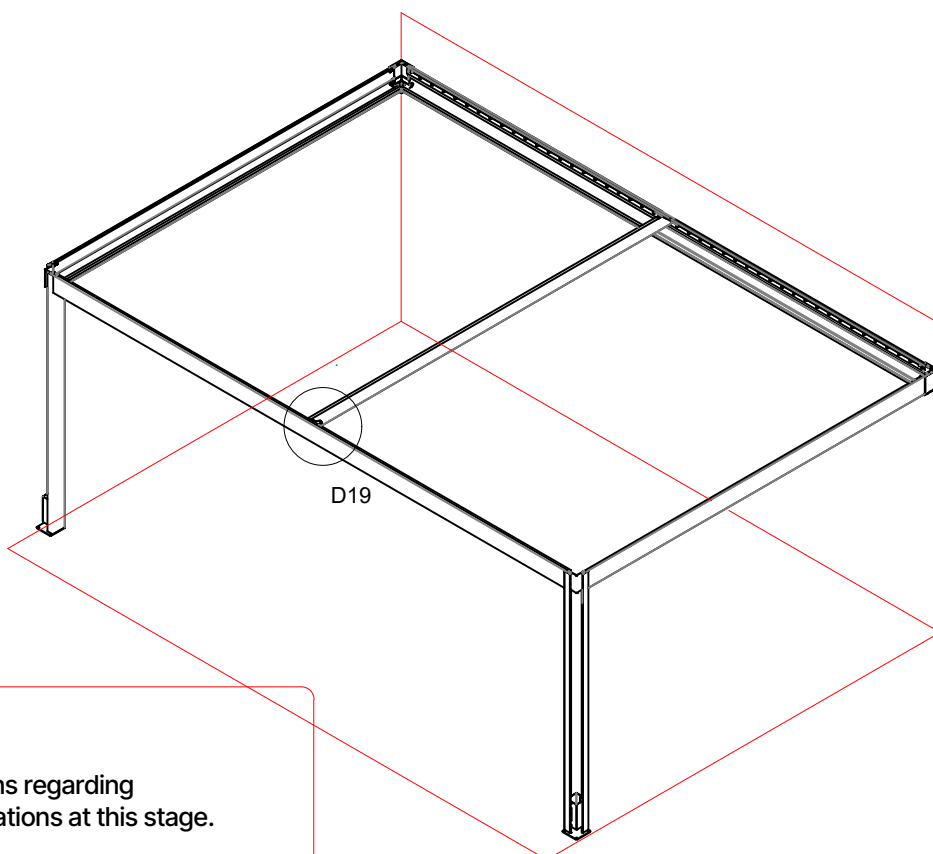
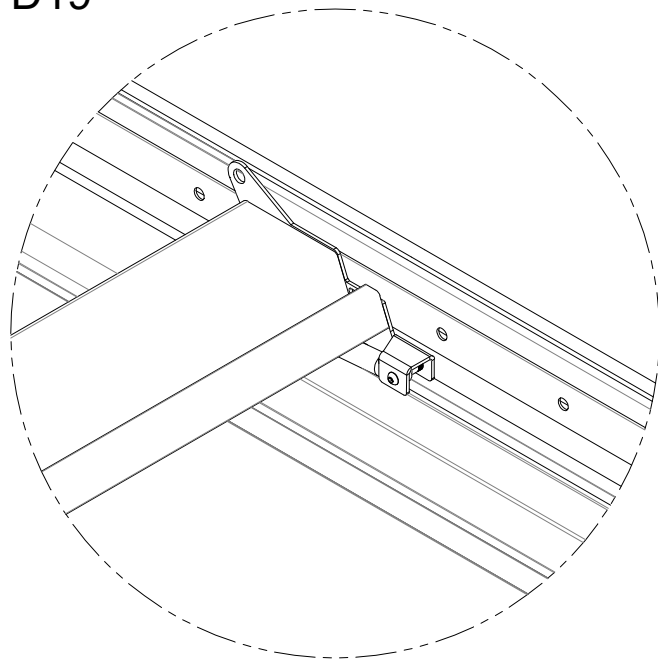
The blade on the motor side is attached at the outermost corner of the motor with code EM07100156 using the screw with code EM10200030.

⚠ This Detail Belongs to 4x5 System

D19



D19

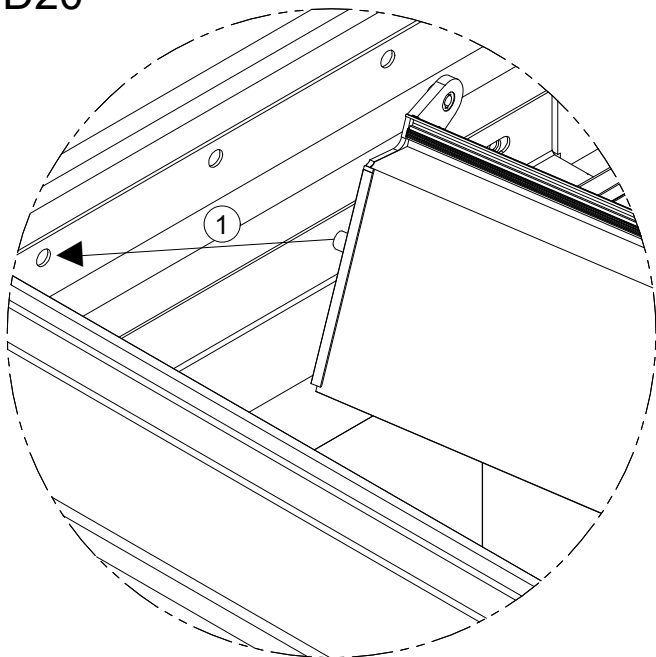


Attention

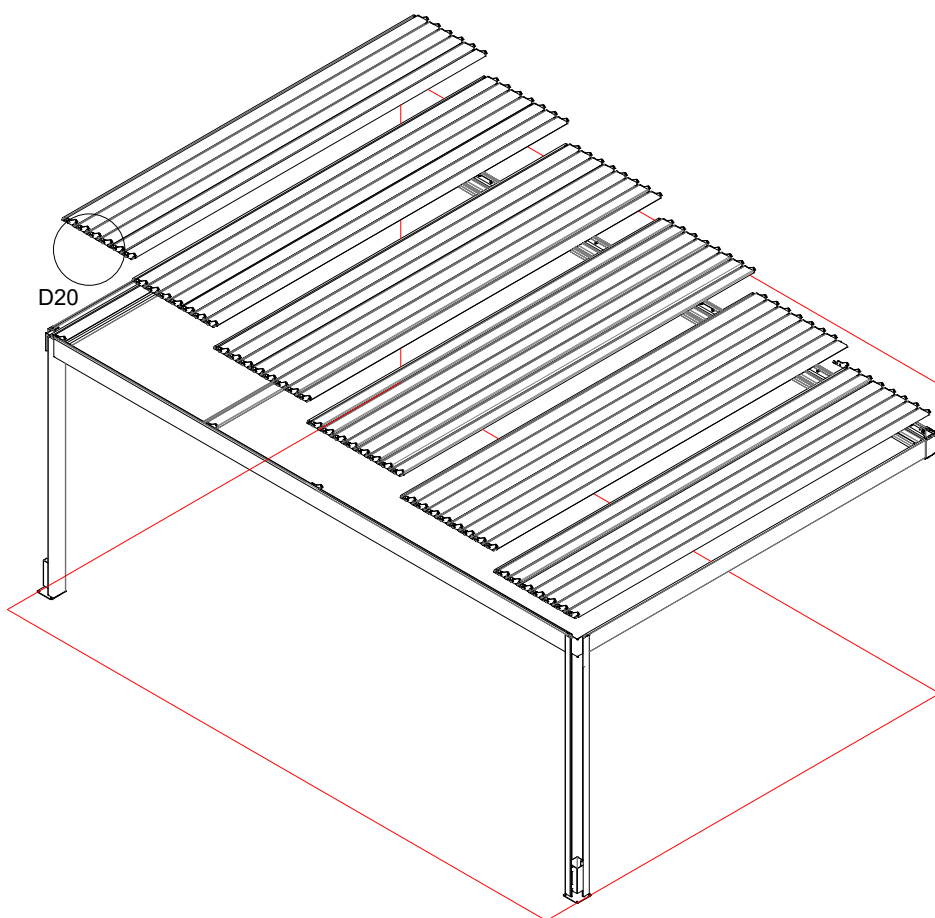
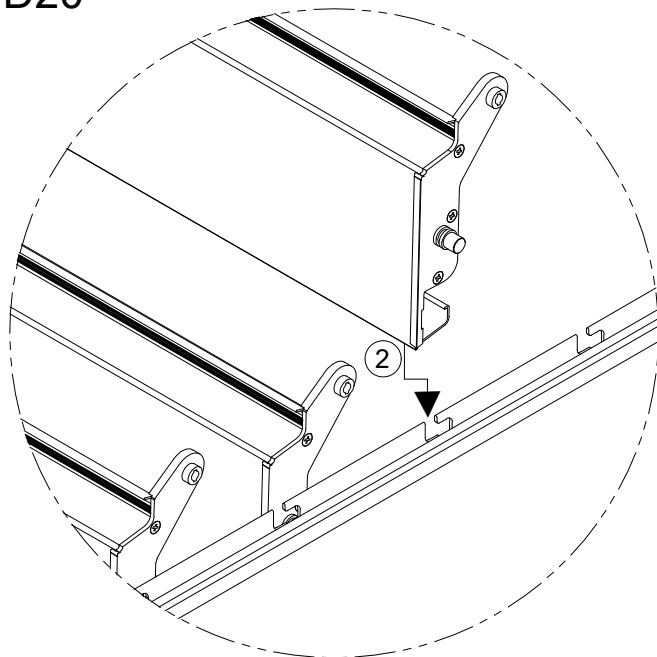
Please see page 41 for instructions regarding LED and cable connection applications at this stage.

The blade on the motor side is attached at the outermost corner of the motor with code EM07100156 using the screw with code EM10200030.

D20

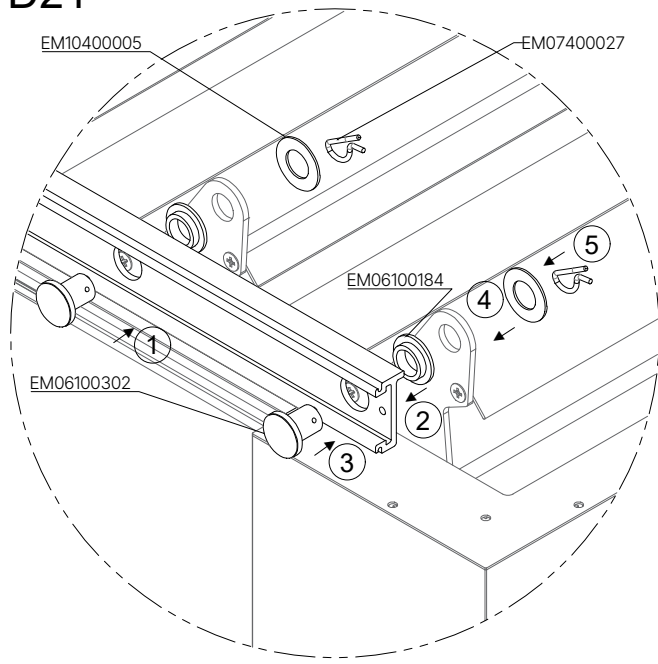


D20

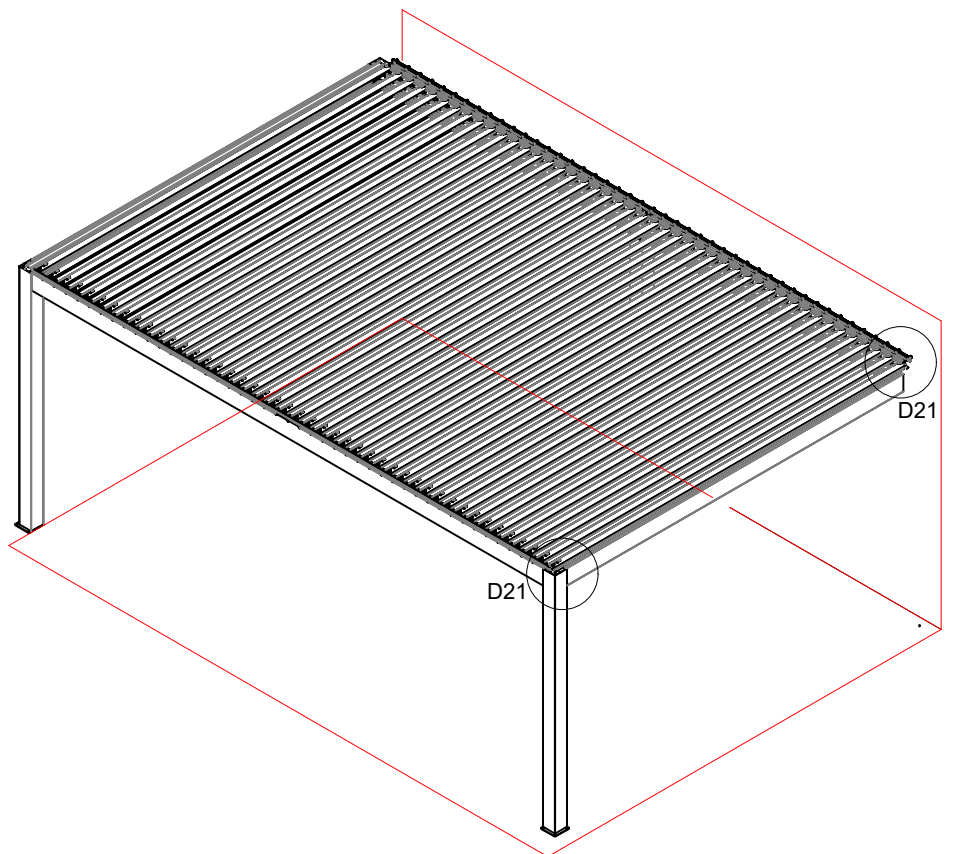
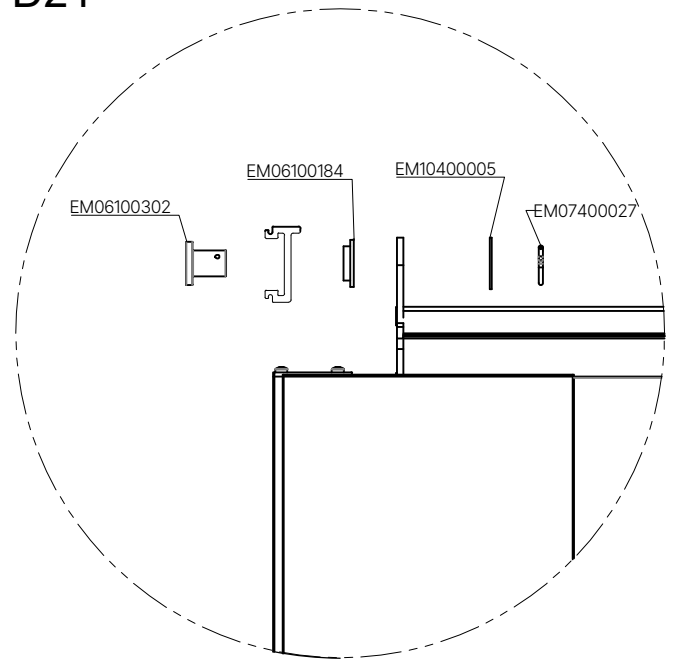


Other previously prepared blades are attached to the channels sequentially as shown above.

D21

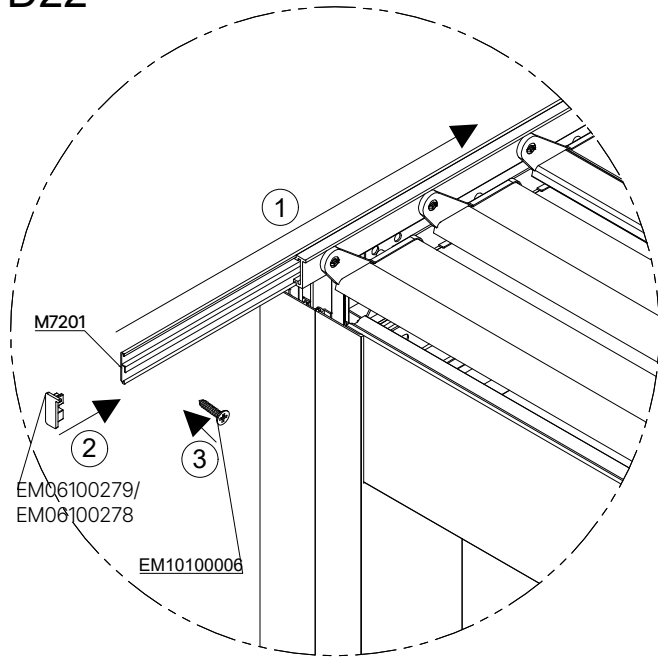


D21

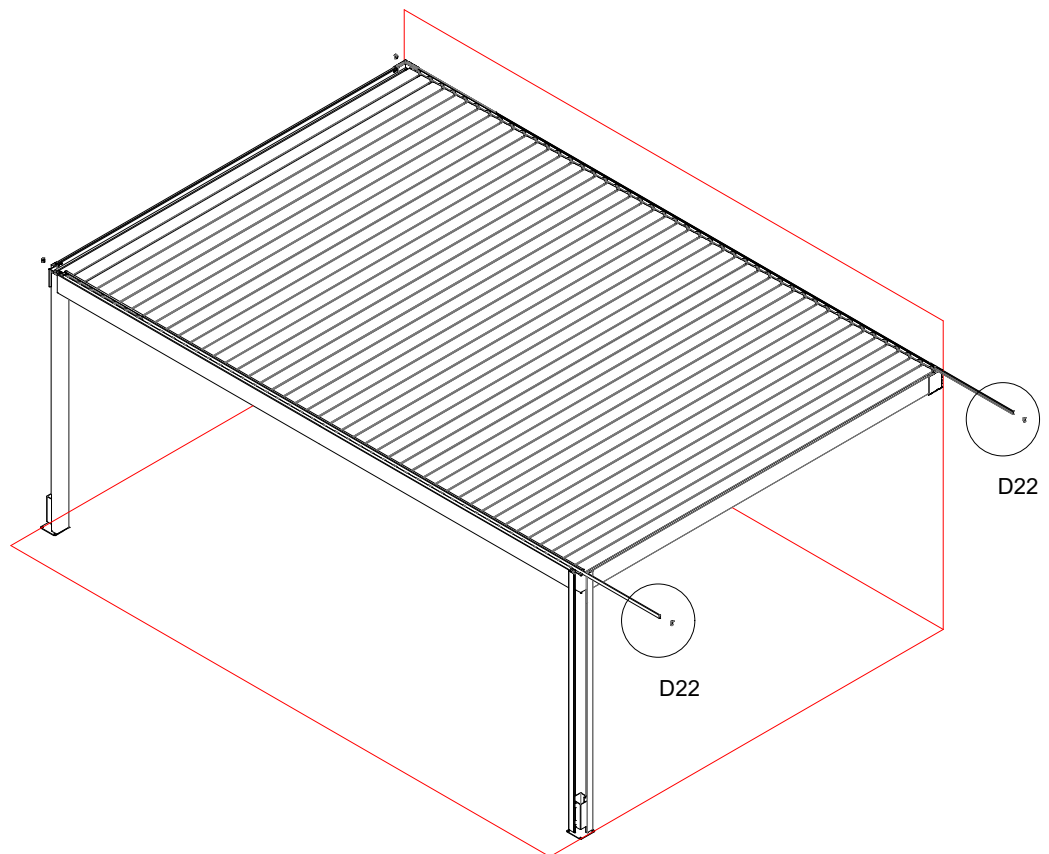
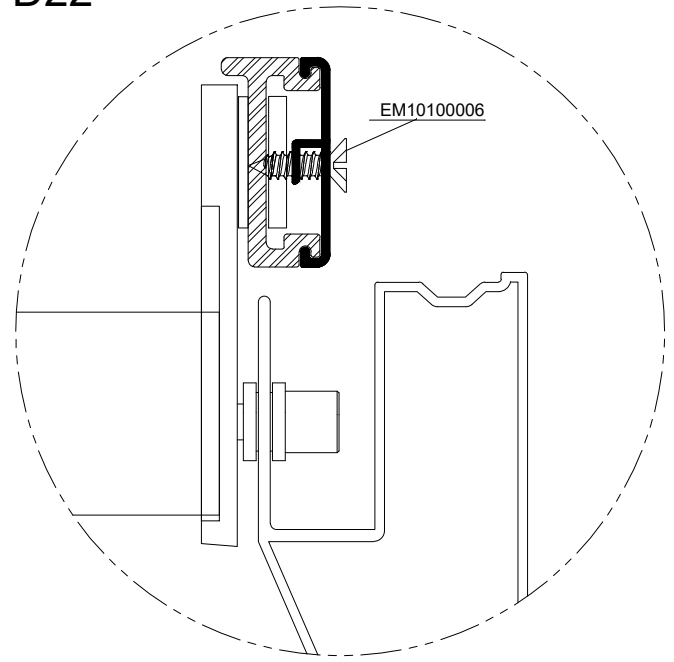


The accessory with code EM06100184 is attached to the profile with code M7031. Then, the accessories with codes EM10400005 and EM07400027 are attached in sequence.

D22

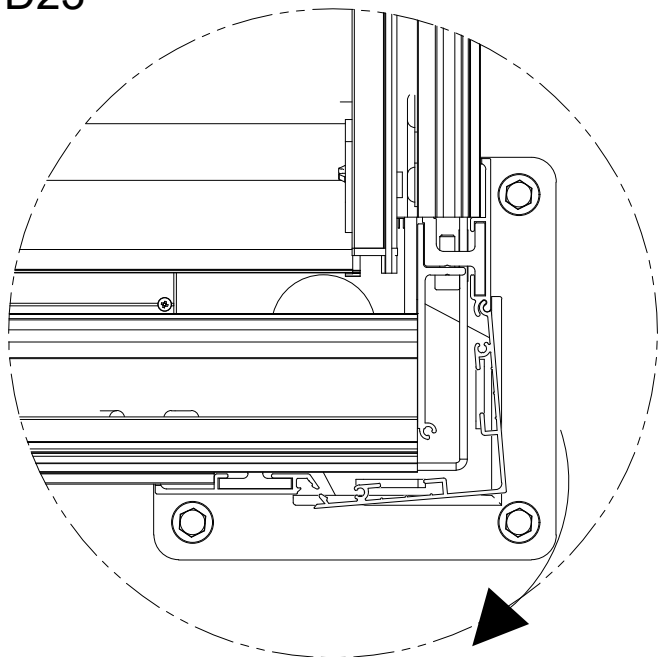


D22

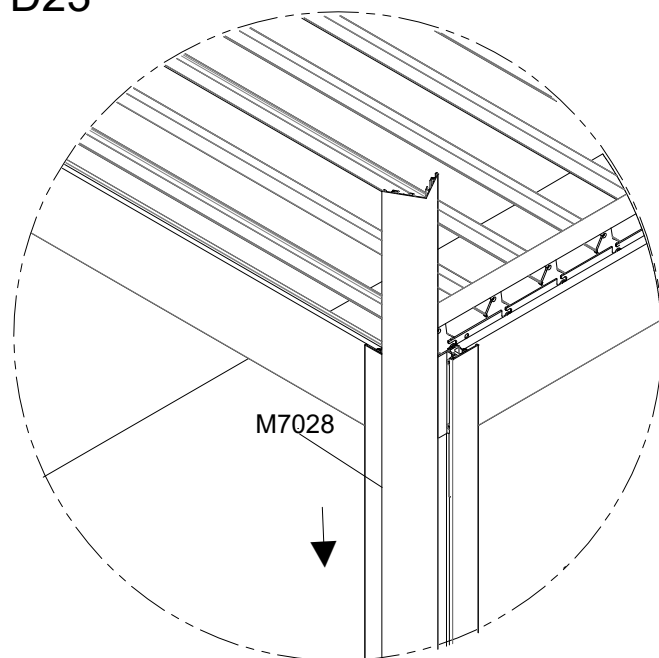


The cover profiles of the joint arm (M7201) are inserted. The plastic covers to be used on the front and back are fixed by screwing after they are installed.

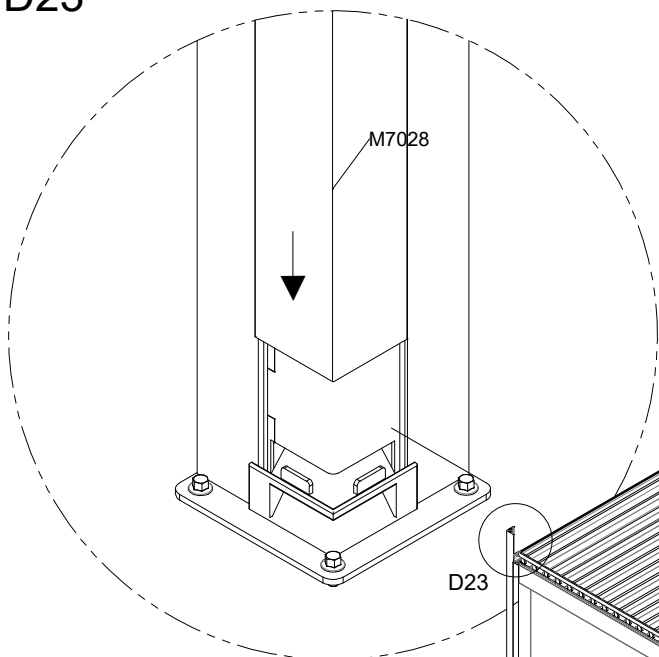
D23



D23



D23



D23

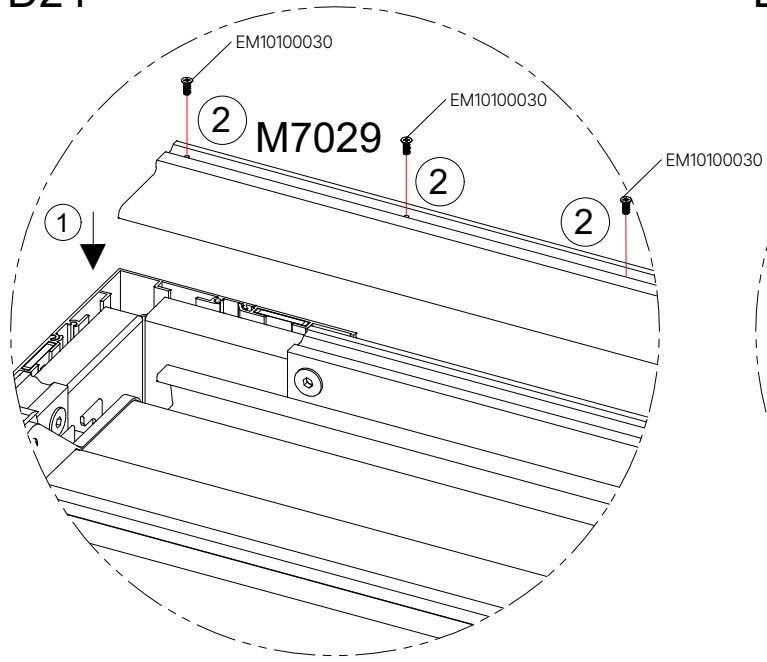
D23

D23

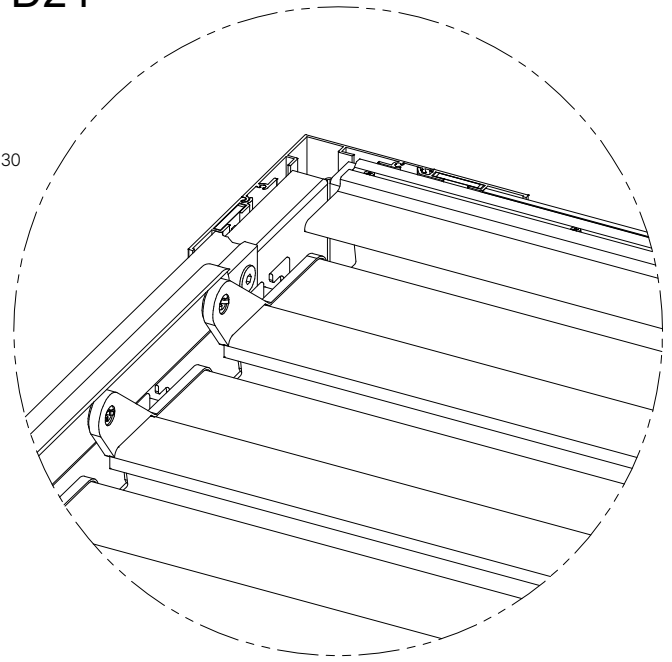
D23

The pillar covers (M7028) on the front of the system are placed on the tabs and installed from top to bottom.

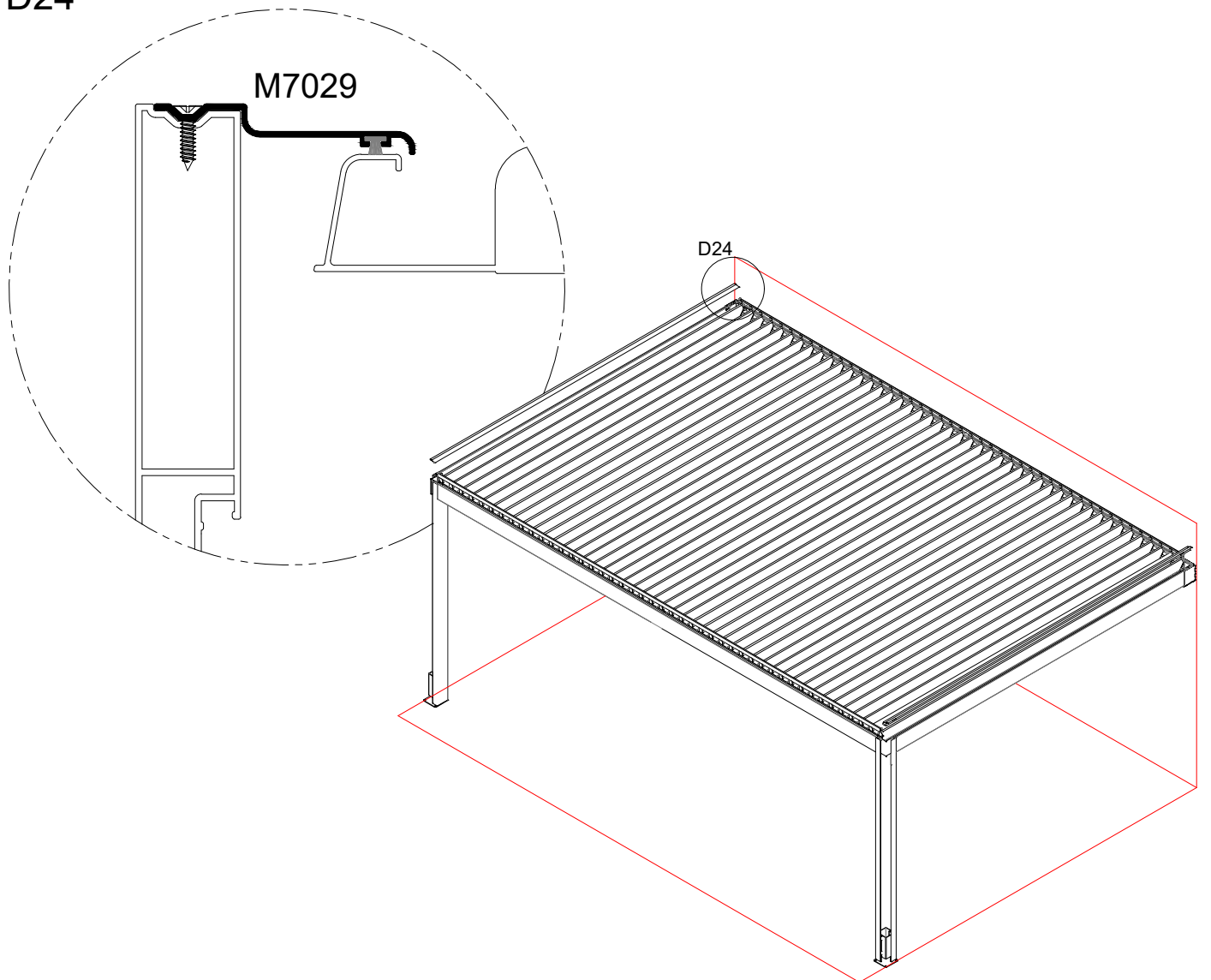
D24



D24

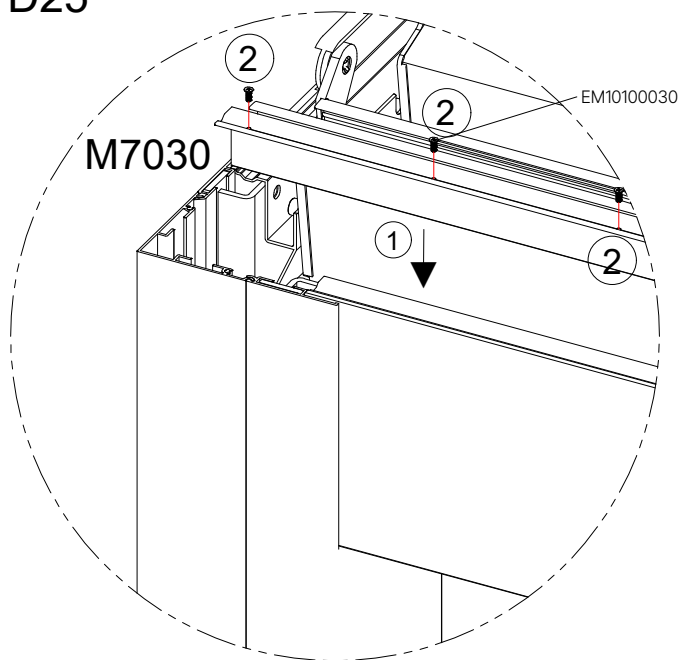


D24

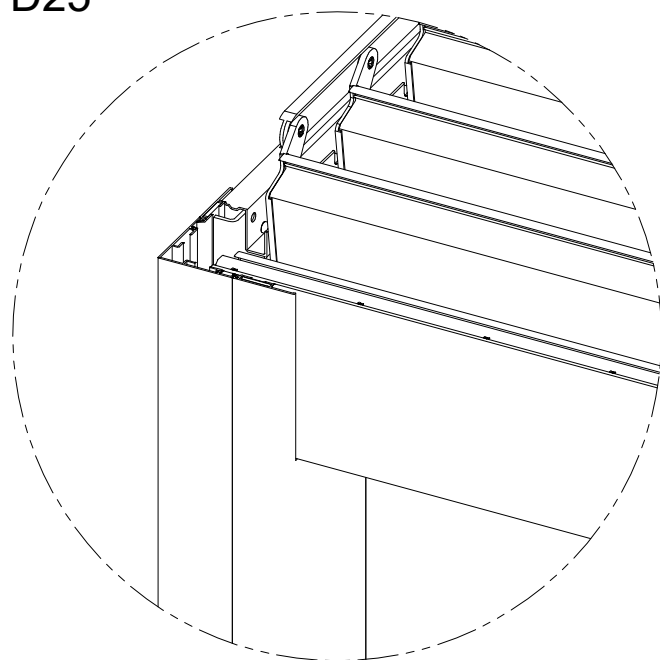


The rear cover profile is installed and screwed as shown above.

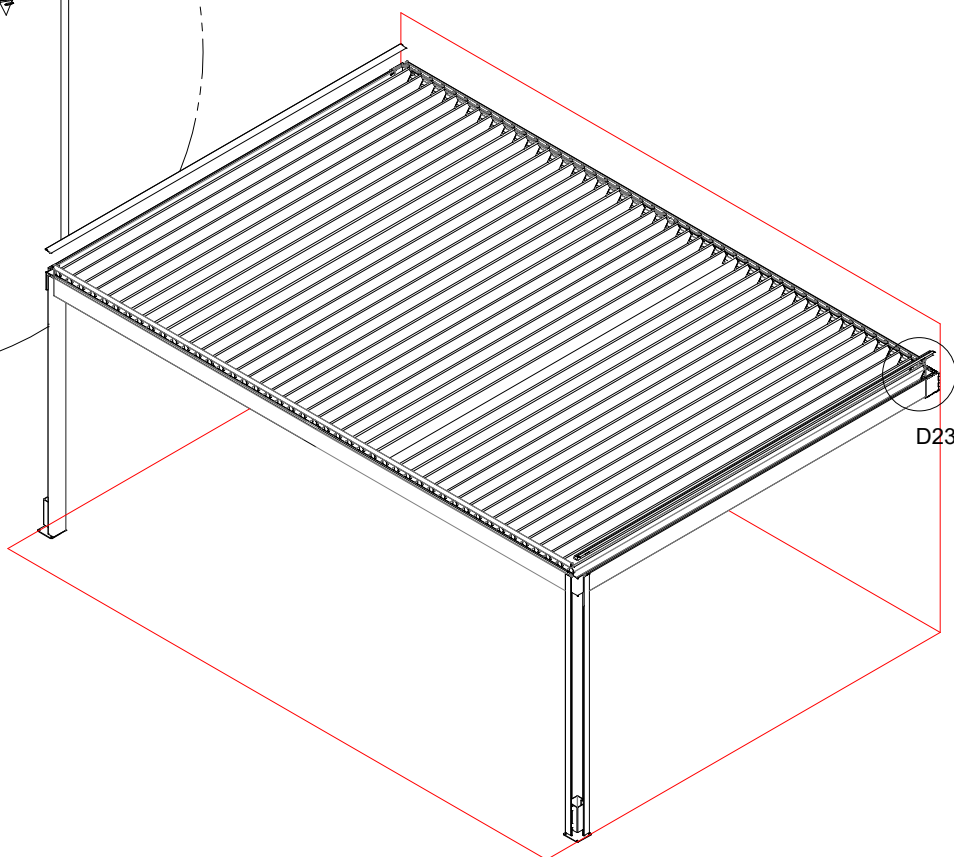
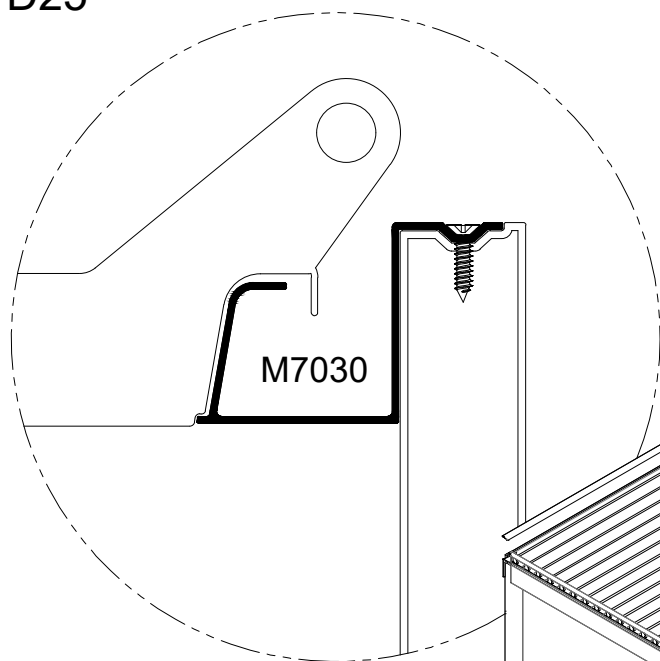
D25



D25



D25



D23

The rear cover profile is installed and screwed as shown above.

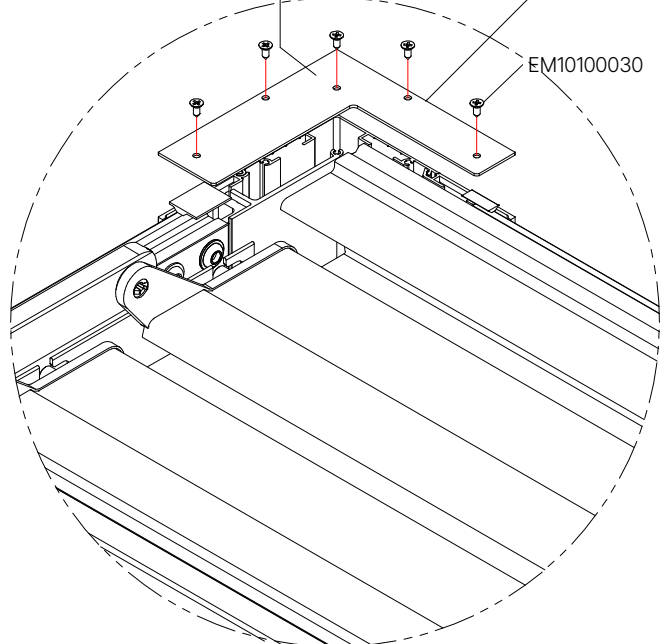
D26



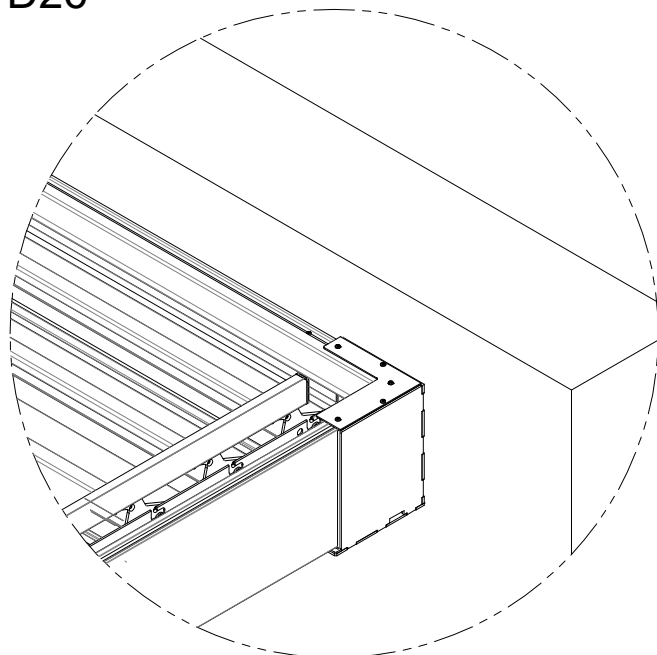
The thick edge should be oriented towards the P direction.

EM07100105

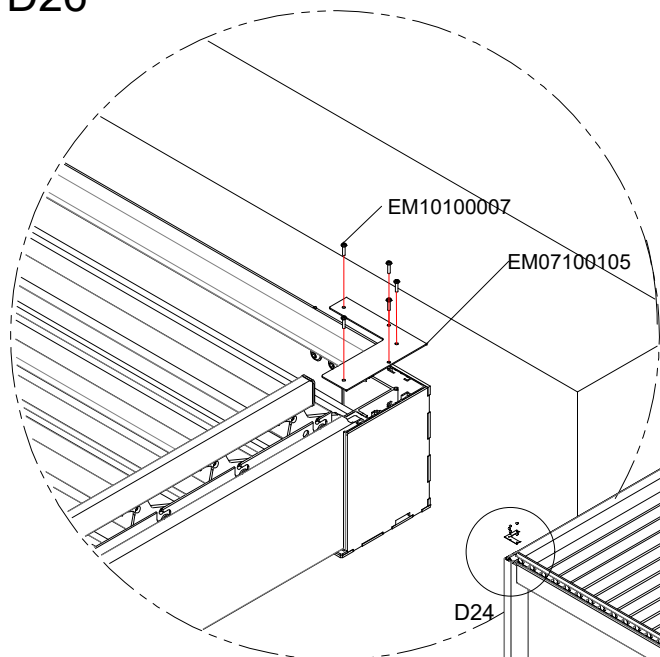
EM10100030



D26



D26



EM10100097

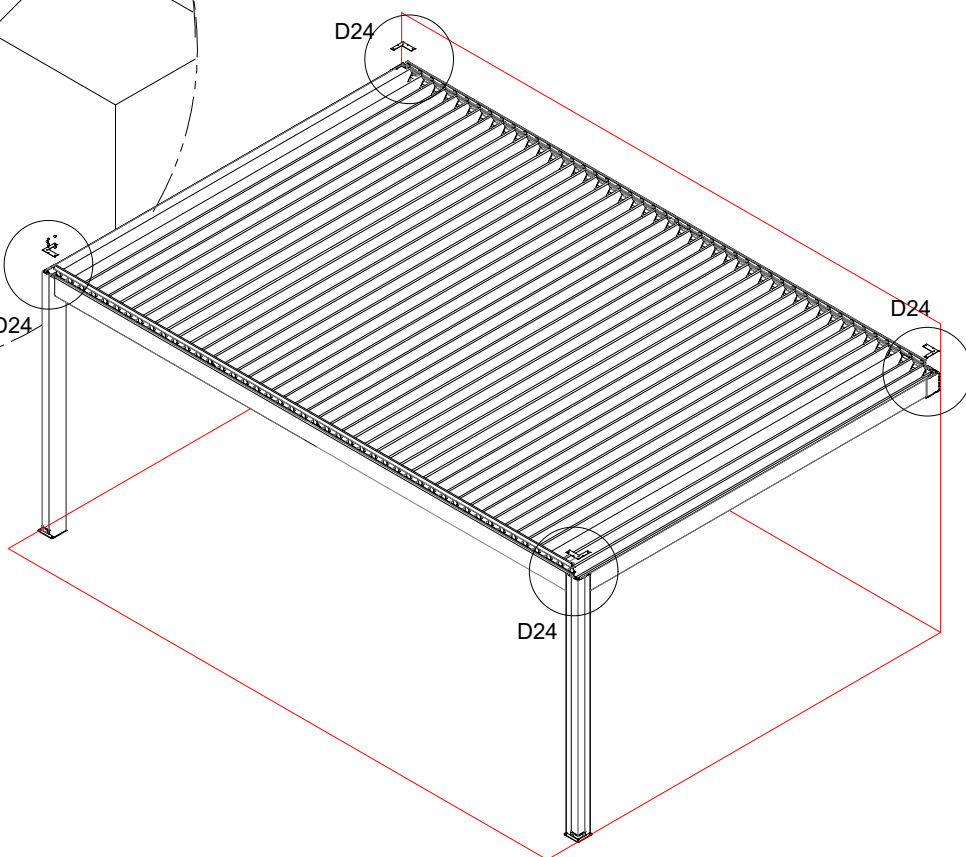
EM07100105

D24

D24

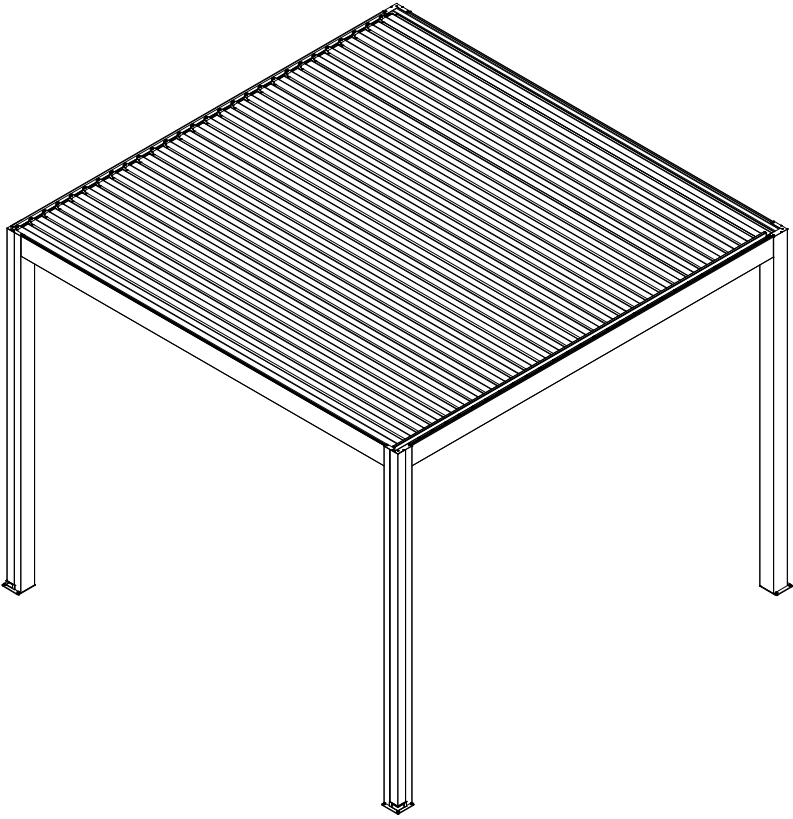
D24

D24

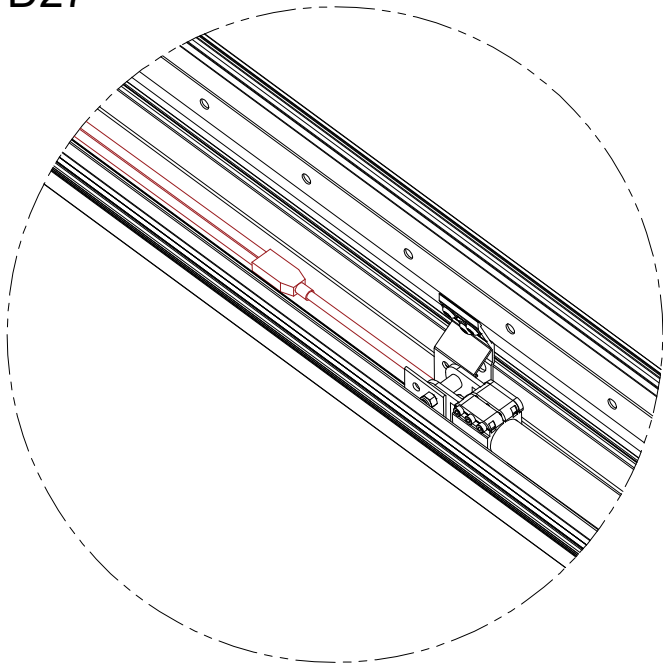


Corner covering plates are installed and screwed as above. The system is completed.

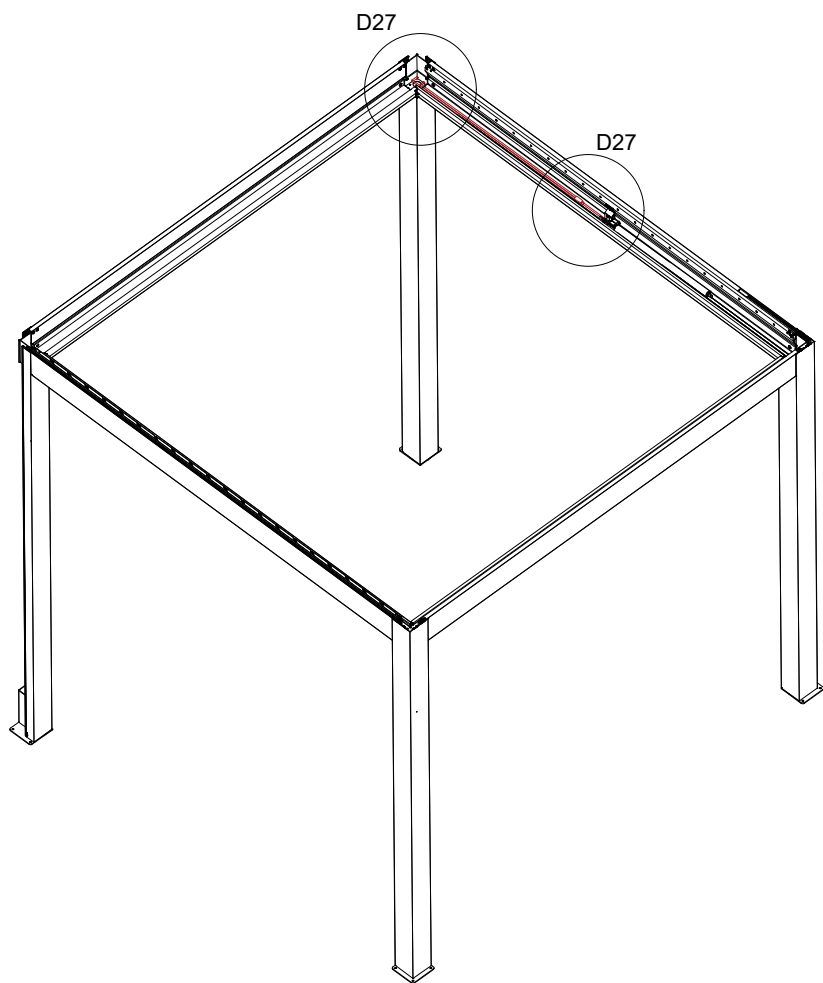
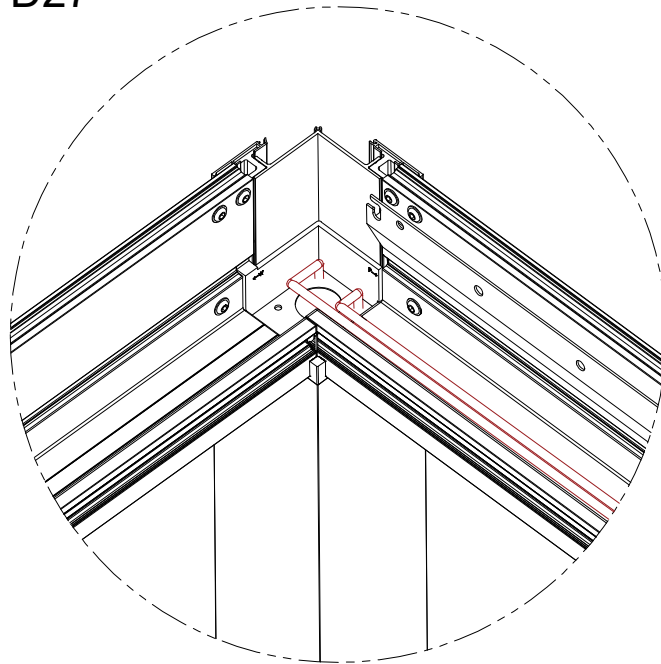
Chapter 1 : Led and Motor Cable Installation



D27

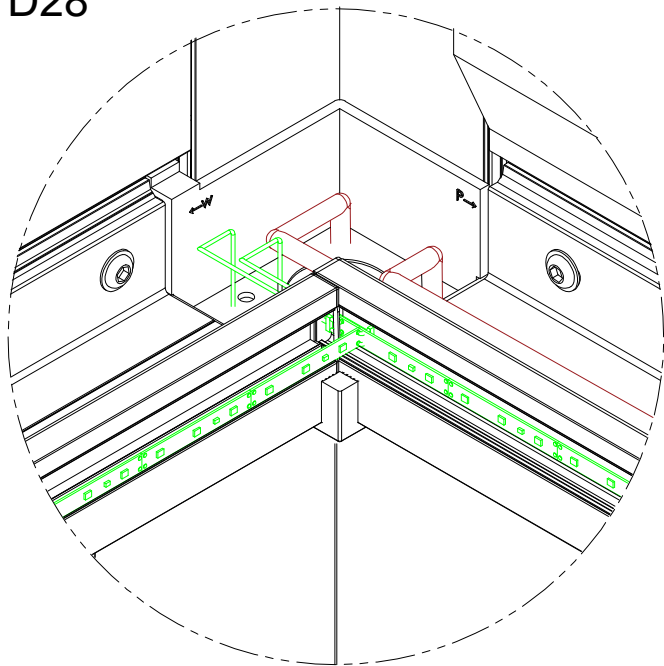


D27

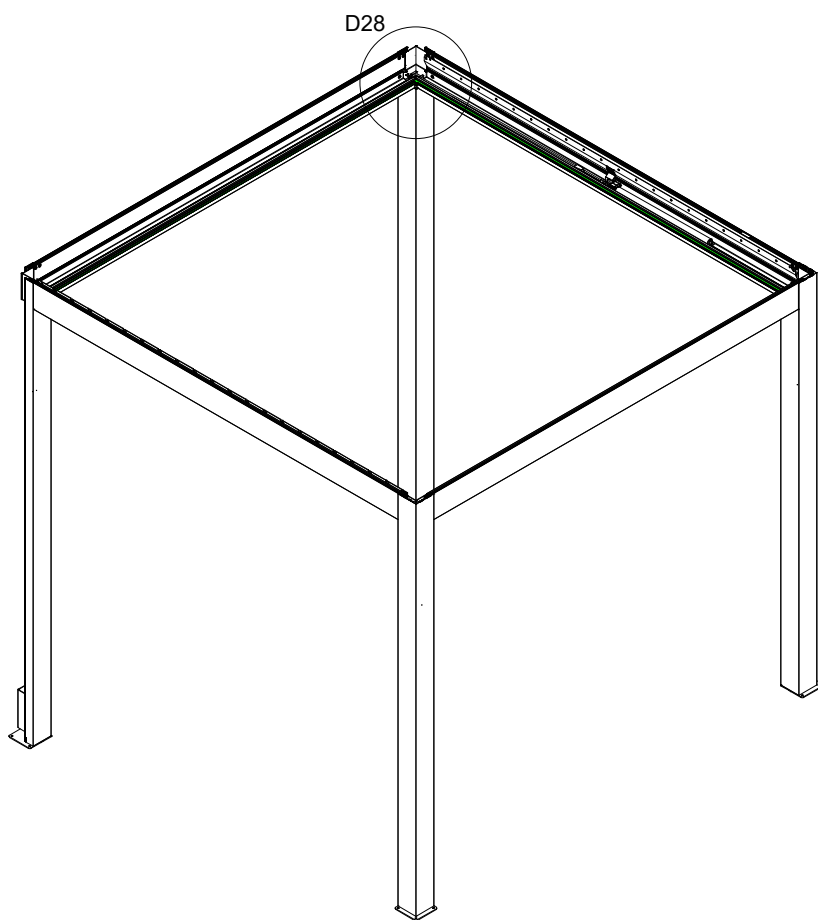
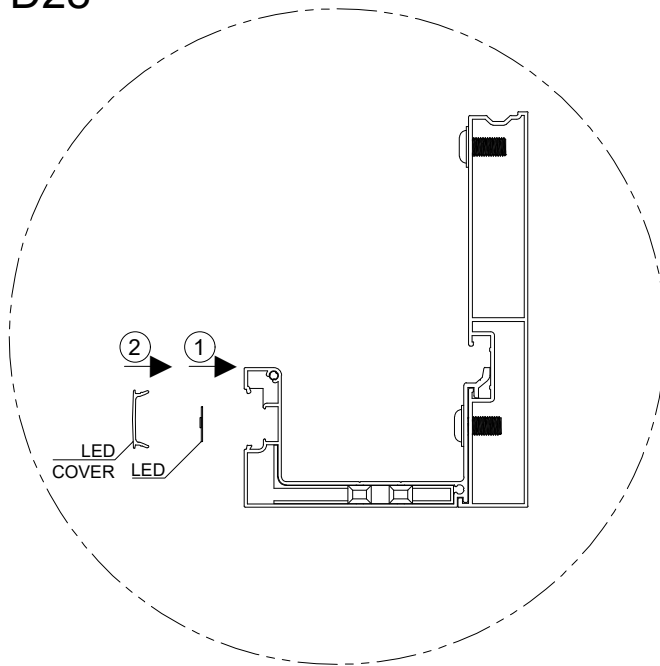


Two cables exiting from the motor are suspended down into the pillar through the designated cable exit points, inside the covered pillar.

D28

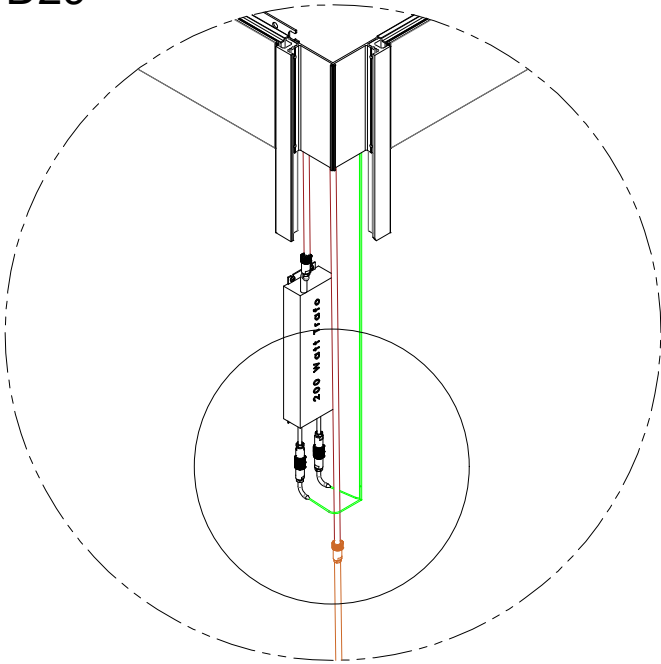


D28

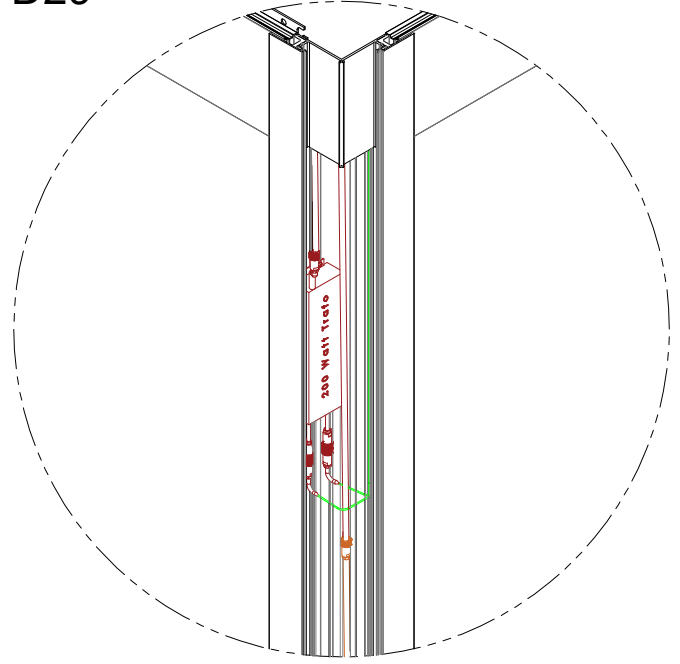


The LED application starts from the corner where the motor cables are connected and continues along the entire frame. The two cables belonging to the LED are suspended down from the single designated exit point on the seal. After the LED is installed, a PVC cover is placed over it.

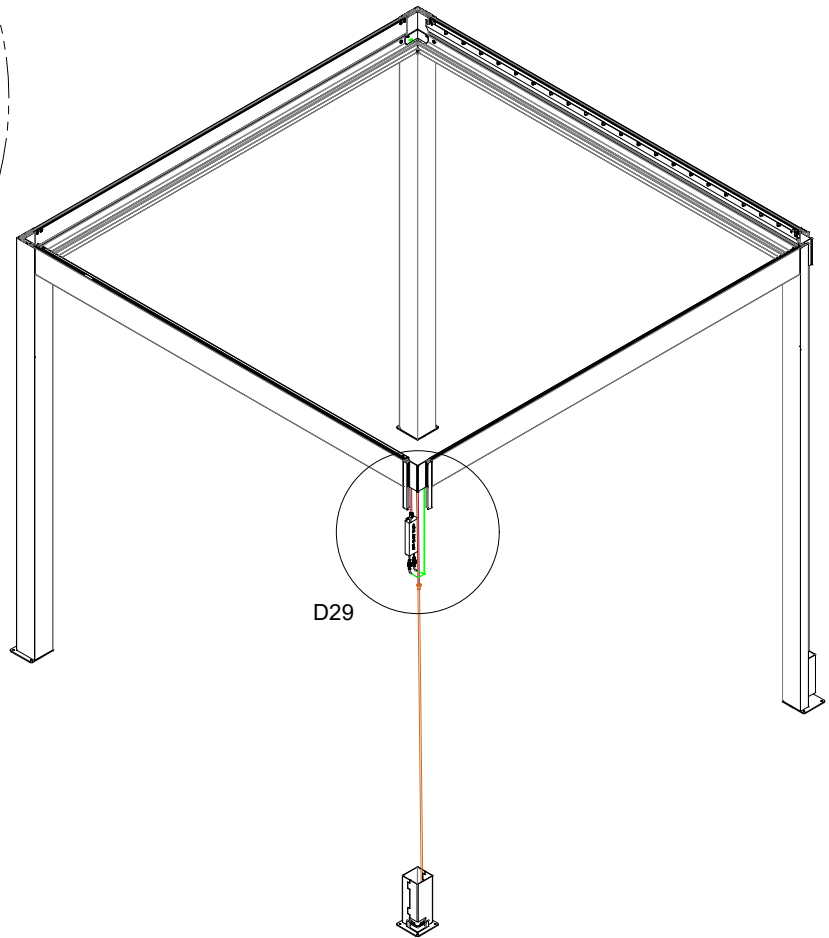
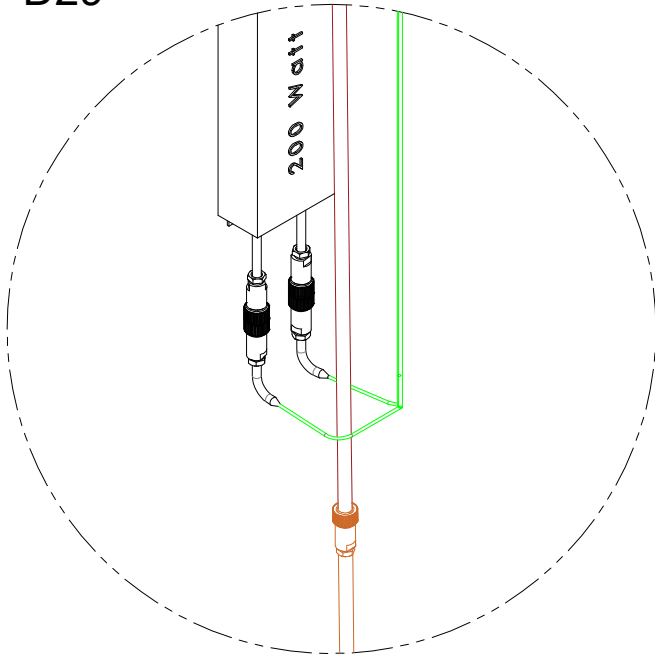
D29



D29



D29



The AC220V cable from the motor is connected to the mains line via a connector. The other cable is connected to the input section of the converter. The two cables from the LED are separately connected to the connectors on the output section of the converter.

Chapter 2 : Electrical Wiring

