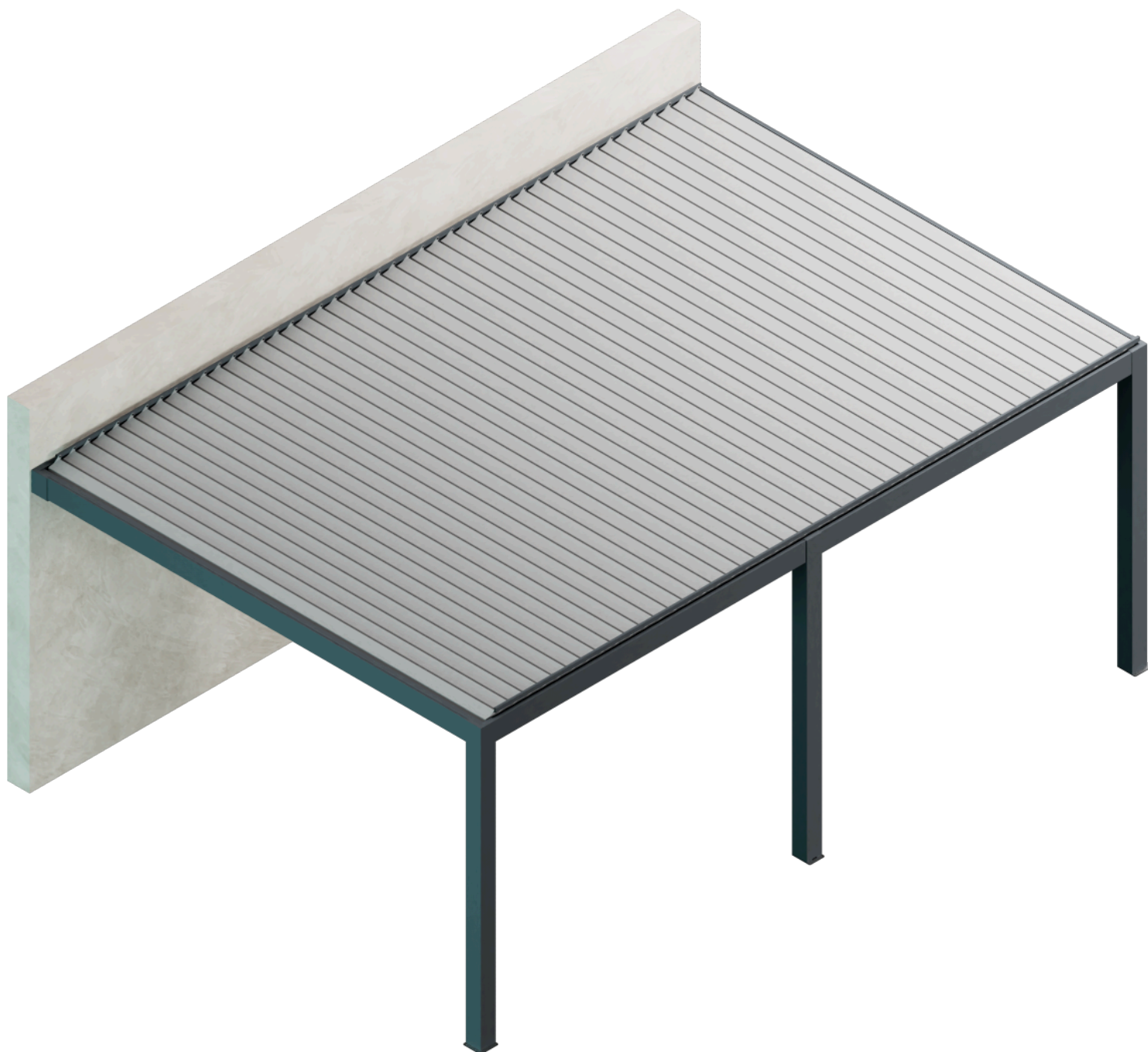


# EGHUUN

## INSTALLATION CATALOGUE

WALL-MOUNTED

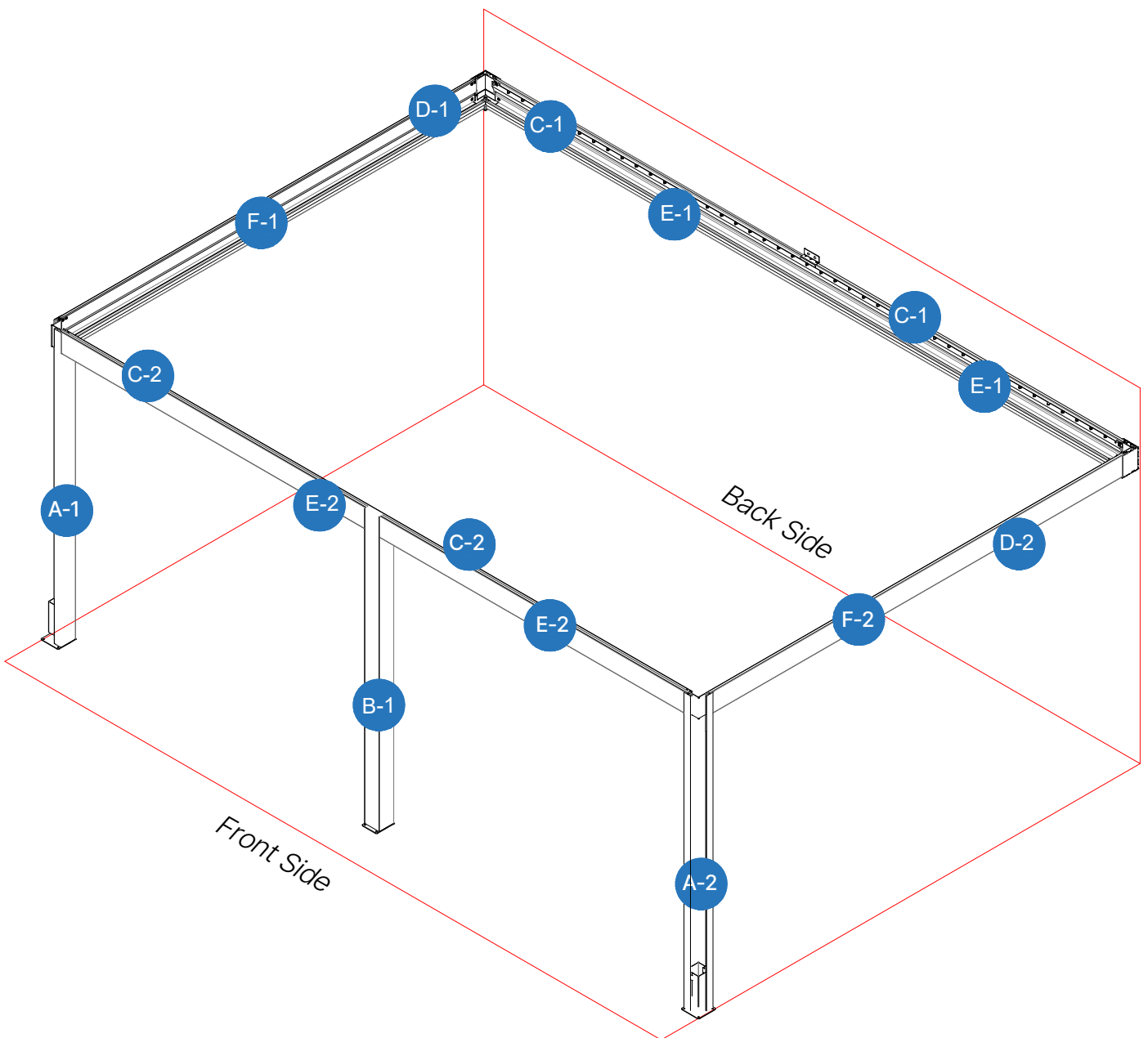
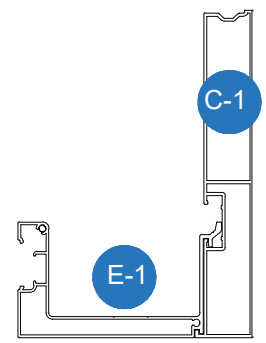
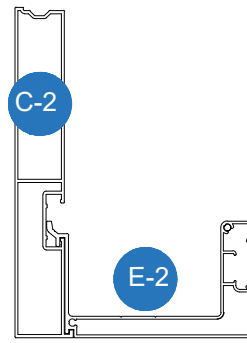
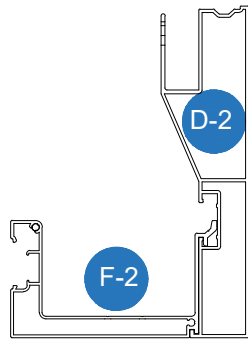
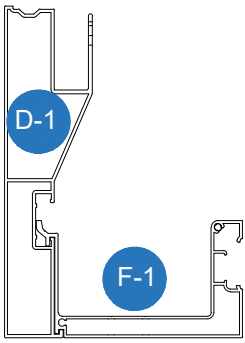
CM-1.3.2502



### PERGOLA MEZZO

EN

4x6 System



W: System Width

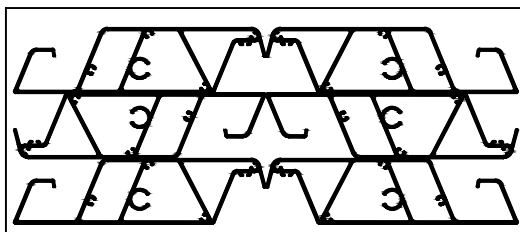
P : System Projection

# Contents

Box Contents for 4x6 System .....	1-2
Necessary Tools for The Ecoclimatic System .....	3
Ecoclimatic Profiles For First Step .....	4
Ecoclimatic Accessories For First Step.....	5-9
Ecoclimatic First Step : Making Frame .....	10-26
Ecoclimatic Profiles For Second Step .....	27
Ecoclimatic Accessories For Second Step.....	28-31
Ecoclimatic Second Step : Preparing Blades .....	32
Ecoclimatic Second Step : Preparing Motor Blades .....	33
Ecoclimatic Second Step : Mounting Roof .....	34-43
Led Installation .....	44-47
Electrical Wiring .....	48-50

# Box Contents for 4x6 System

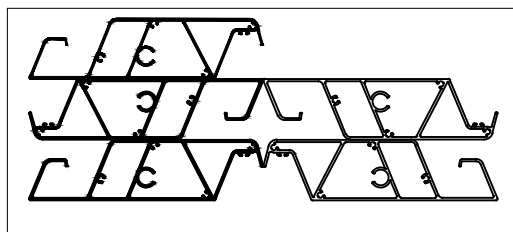
L3



M7400X6

6x

L6



M7400X5

1x

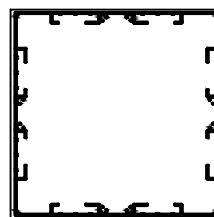
L4



M7400X2

2x

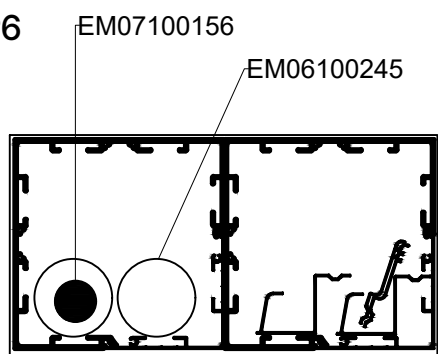
P9



M7137 x1

1x

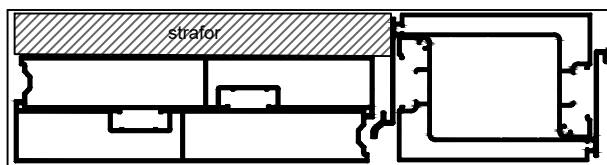
P6



M7037 (A1-A2) x2  
 M7028 (A1-A2) x2  
 EM07100156 x1  
 EM06100245 x2  
 M7030 x2  
 M7029 x2

1x

F3

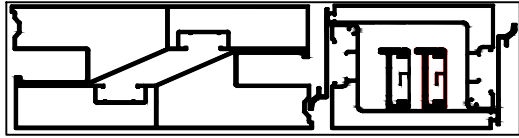


M7033 x2  
 M7034 x2

1x

# Box Contents for 4x6 System

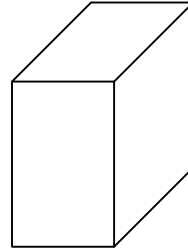
F9



M7035 (D1-D2) x2  
M7033 (F1-F2) x2  
M7031 x2  
M7201 x2

1x

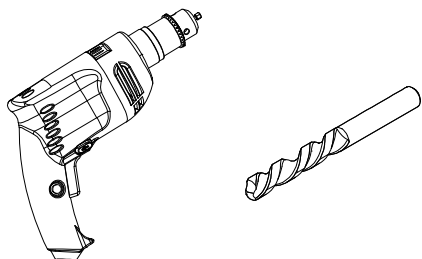
A13



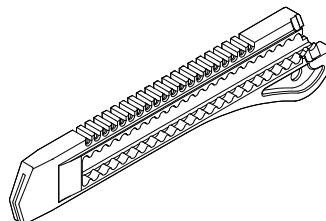
1x

# Necessary Tools for The Ecoclimatic System

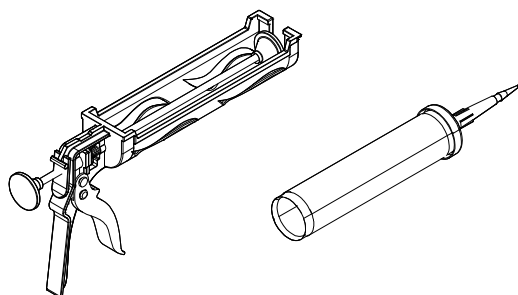
Cordless Drill & Drilling Bit (8 mm)



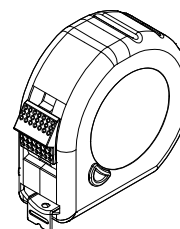
Carpet Knife



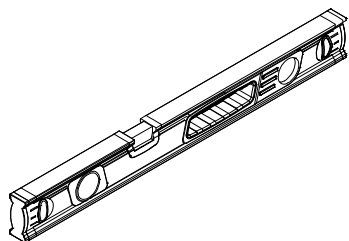
Silicon Gun & Silicon



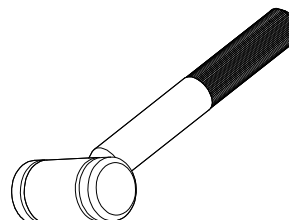
Tape Measure



Water Level

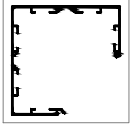


Knob



# Ecoclimatic Profiles For First Step

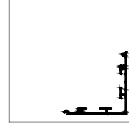
M7037



A-1 A-2

For 4x6 meters systems : 2 pcs

M7028



A-1 A-2

For 4x6 meters systems : 2 pcs

M7033



E-1 E-2 F-1 F-2

For 4x6 meters systems : 4 pcs

M7034



C-1 C-2

For 4x6 meters systems : 2 pcs

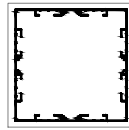
M7507



D-1 D-2

For 4x6 meters systems : 2 pcs

M7137

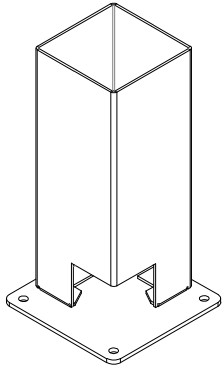


B-1

For 4x6 meters systems : 1 pcs

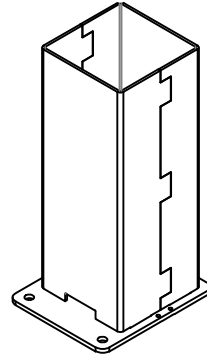
# Ecoclimatic Accessories For First Step

EM07100104



For 4x6 meters systems : 2 pcs

EM07100202

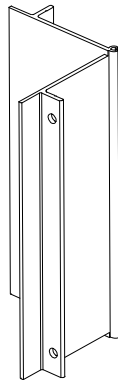


For 4x6 meters systems : 1 pcs

EM07200028



This product has a direction

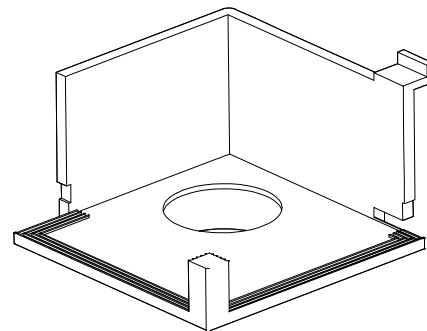


For 4x6 meters systems : 2 pcs

EM06100186

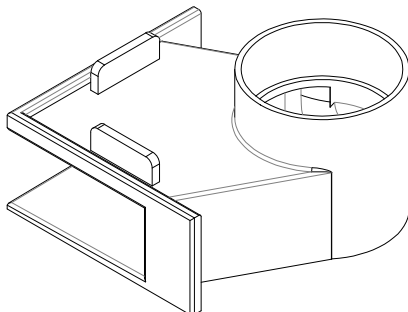


This product has a direction



For 4x6 meters systems : 2 pcs

EM06100229 - (Black)  
EM06100295 - (White)



For 4x6 meters systems : 2 pcs

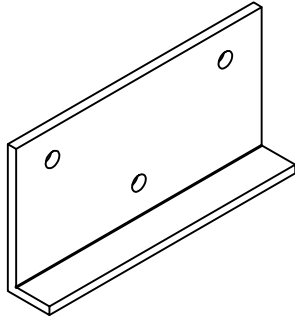
EM06100245



For 4x6 meters systems : 2 pcs

# Ecoclimatic Accessories For First Step

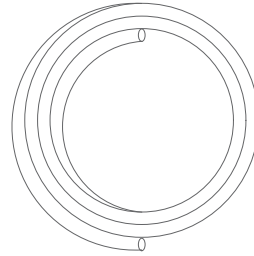
**EM07200080**



For 4x6 meters systems : 1 pcs

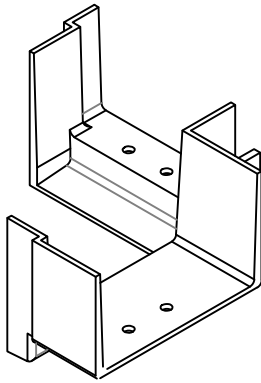
**EM06200059**

15 mm cord



For 4x6 meters systems : 1 pcs

**EM06100292**

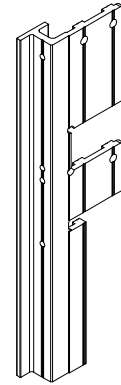


For 4x6 meters systems : 2 pcs

**EM07200027**

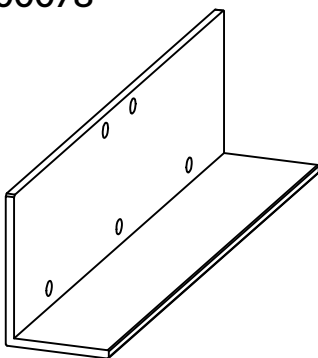


This product has a direction



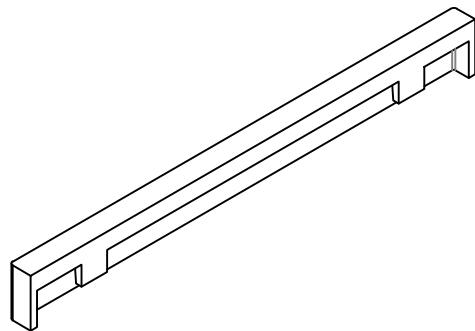
For 4x6 meters systems : 4 pcs

**EM07200078**



For 4x6 meters systems : 1 pcs

**EM06100284**



For 4x6 meters systems : 1 pcs

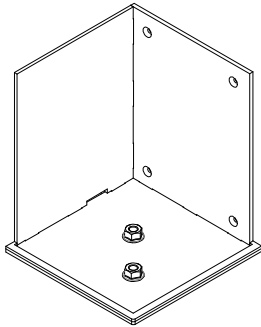
# Ecoclimatic Accessories For First Step

## "WALL MOUNTED ACCESSORIES"

**EM07300204**

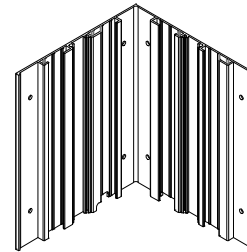


*This product has a direction*



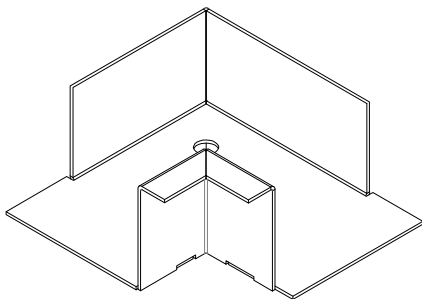
*For 4x6 meters systems : 2 pcs*

**EM07300206**



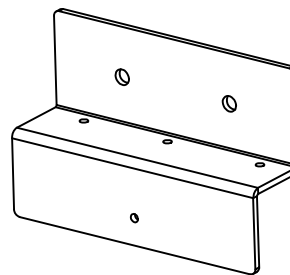
*For 4x6 meters systems : 2 pcs*

**EM07300205**



*For 4x6 meters systems : 2 pcs*

**EM07200079**

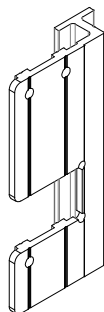


*For 4x6 meters systems : 1 pcs*

**EM07200071**



*This product has a direction*

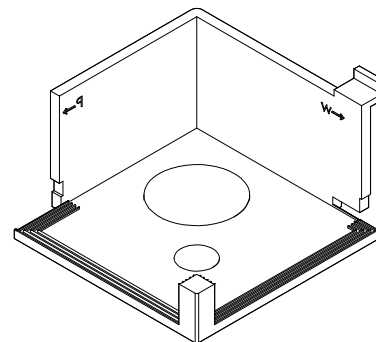


*For 4x6 meters systems : 4 pcs*

**EM06100284**



*This product has a direction*

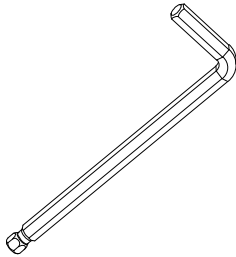


*For 4x6 meters systems : 2 pcs*

# Ecoclimatic Accessories For First Step

## Allen Key -

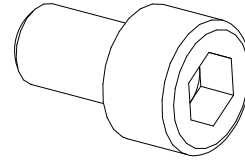
EM13000062 & EM13000063



For 4x6 meters systems : 1 pcs

## EM10200025

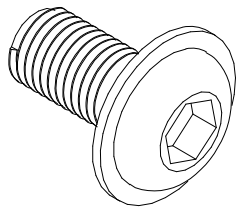
M6x12 Imbus



For 4x6 meters systems : 8 pcs

## EM10200006

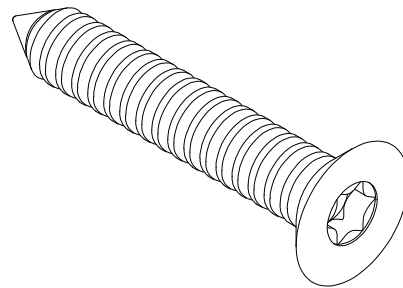
M8X12 Bolt



For 4x6 meters systems : 12 pcs

## EM10100005

7,5x100 mm Buldex Screw

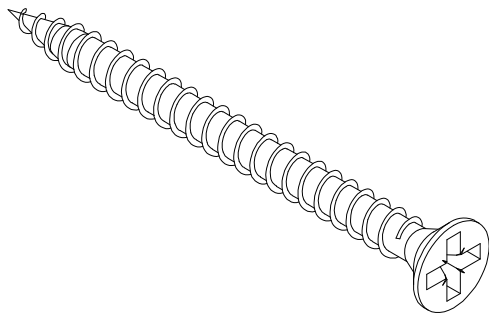


For 4x6 meters systems : 6 pcs

# Ecoclimatic Accessories For First Step

**EM10100017**

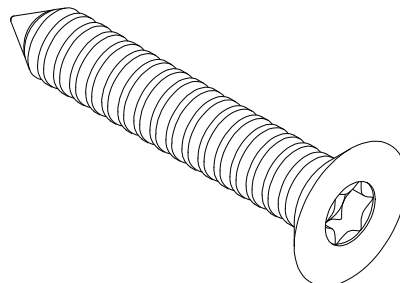
*3,9x38mm Screw*



*For 4x6 meters systems : 14 pcs*

**EM10100028**

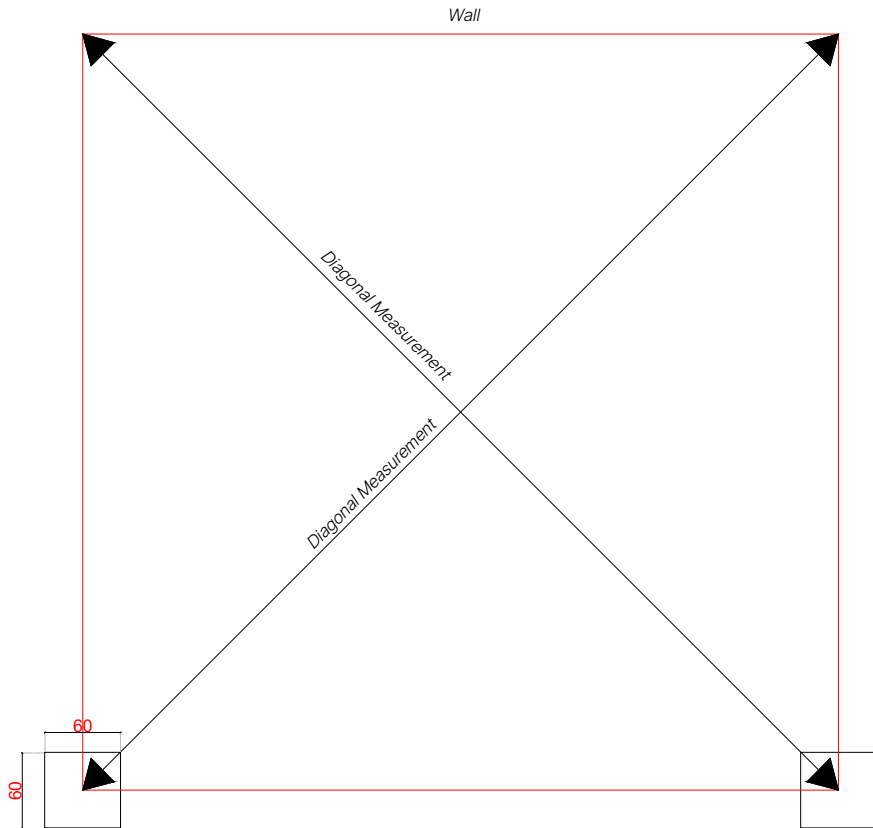
*7,5x60 mm Buldex Screw*



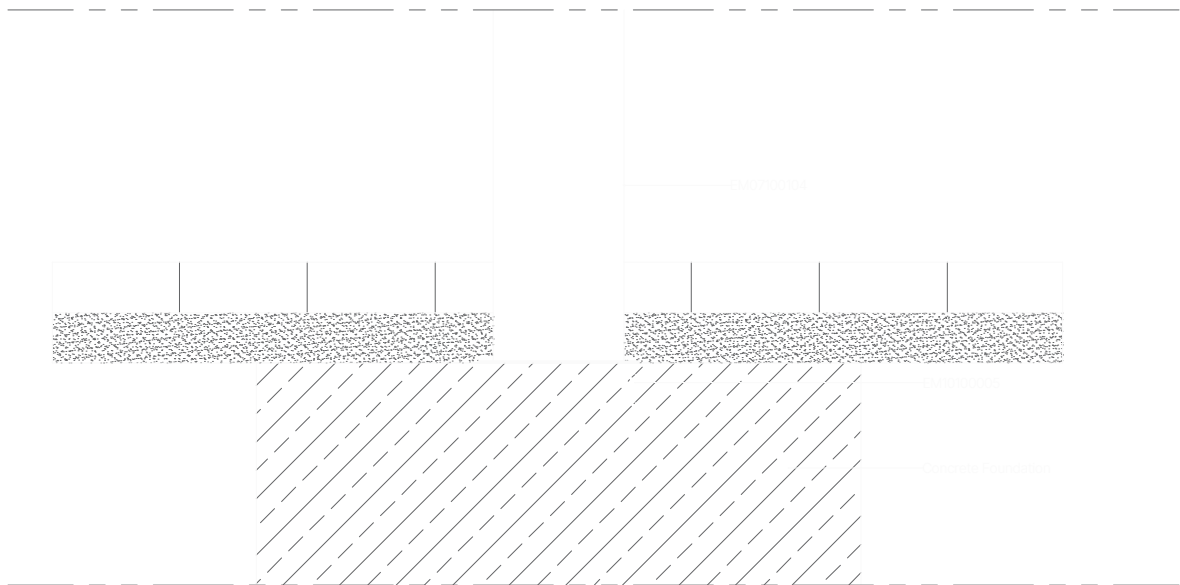
*For 4x6 meters systems : 5 pcs*

\*The ground where the system is to be installed must be level.

\*The locations where the system's columns are to be positioned must have reinforced ground.



If your system is **4x6 meters**, then the diagonal measurement should be **706.1 cm**.

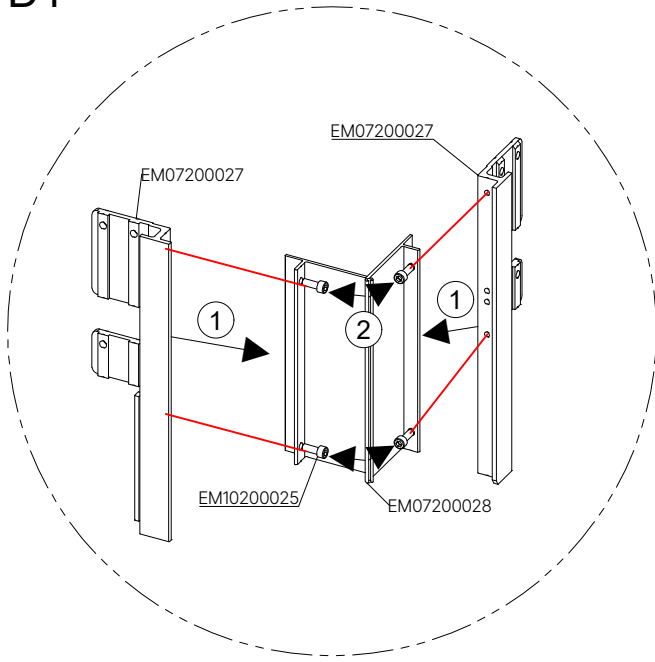


*Section Detail*

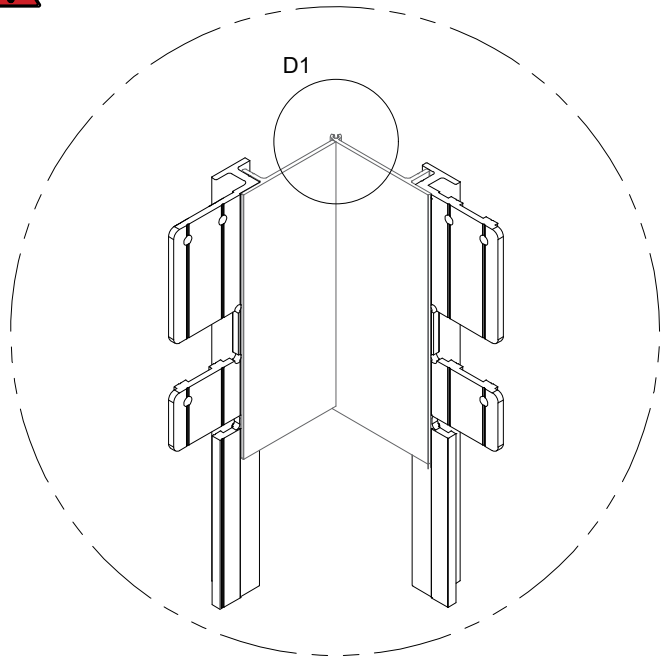
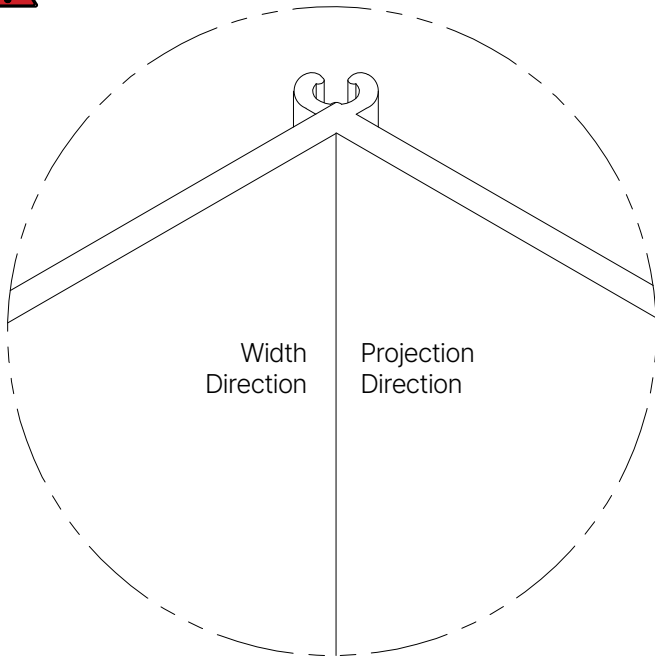
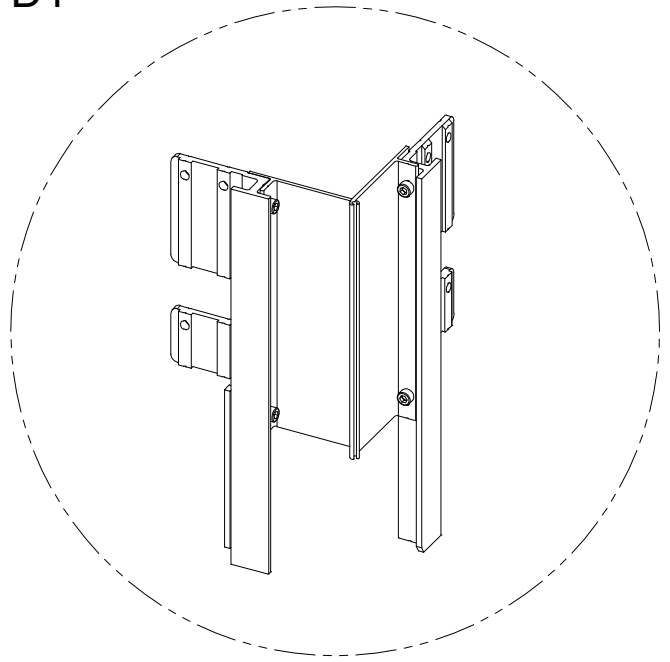
To ensure maximum durability of your pergola against environmental conditions, we recommend reinforcing the surface where the structure will be installed. In this regard, it is advisable to create reinforced point foundations measuring 60x60x80 cm and secure your pergola to these foundations using anchor bolts (EM10100005). Alternatively, you can also screw your pergola directly into patio surfaces such as stone or wooden decking

# Ecoclimatic First Step : Making Frame

D1



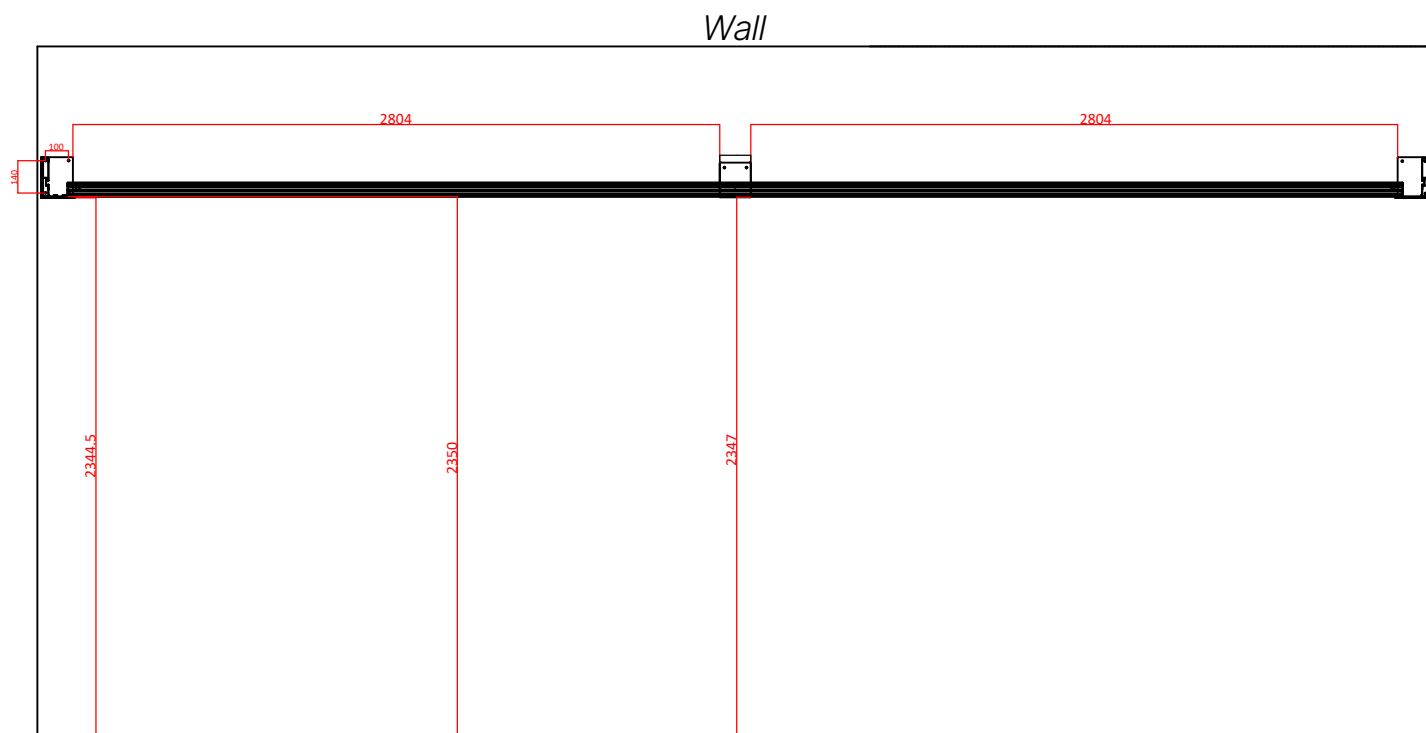
D1



EM07200027 and EM07200028 are screwed together and 2 sets are prepared in this way.

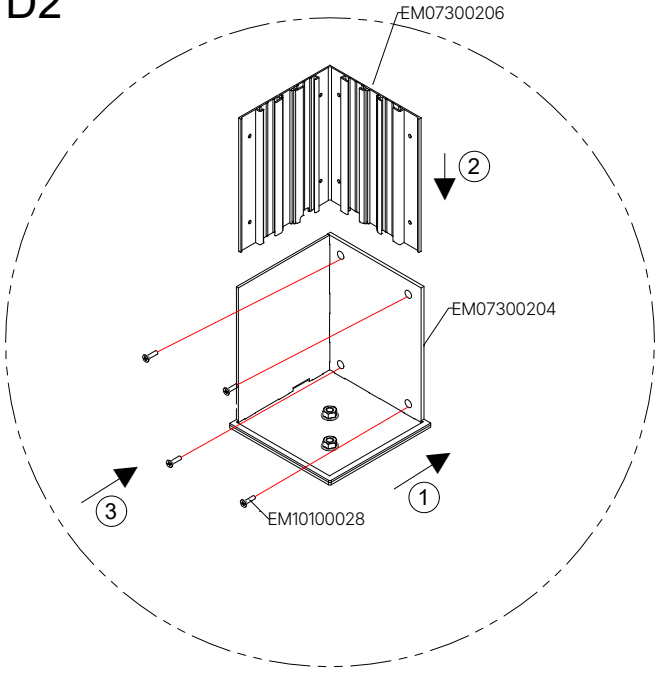


Attention

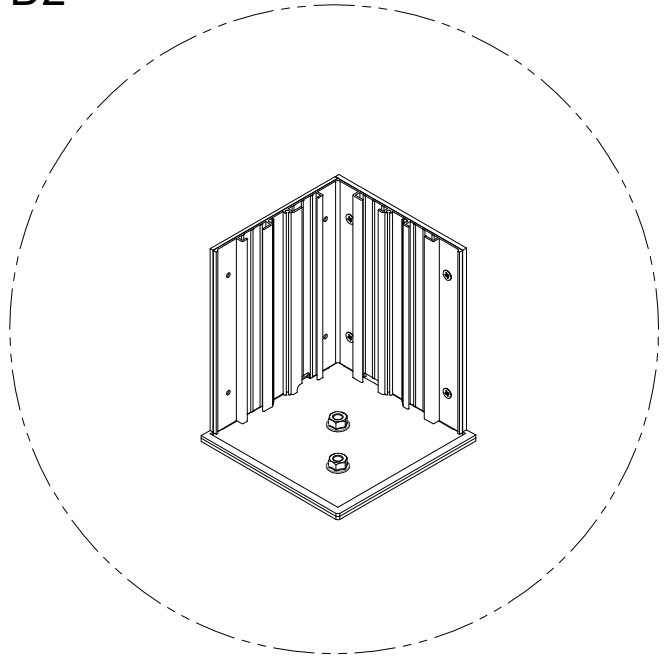


When installing wall mounting accessories, attention should be paid to their height from the ground and the distances between them.

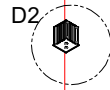
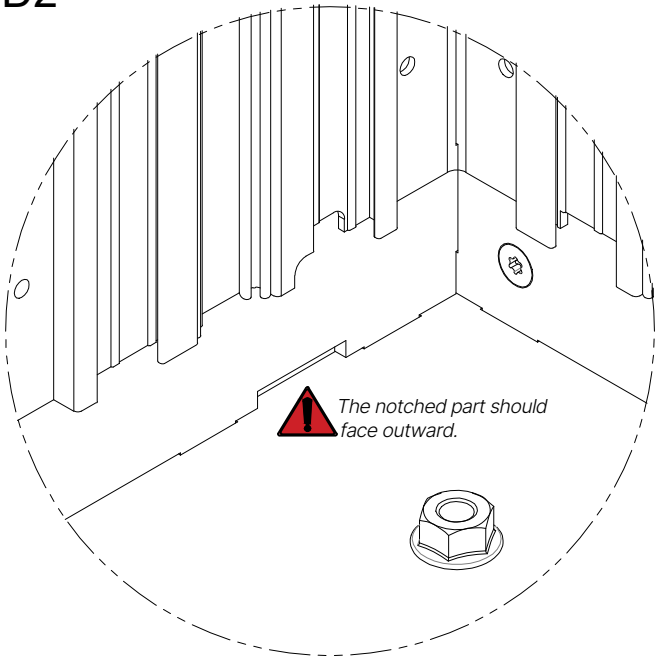
D2



D2

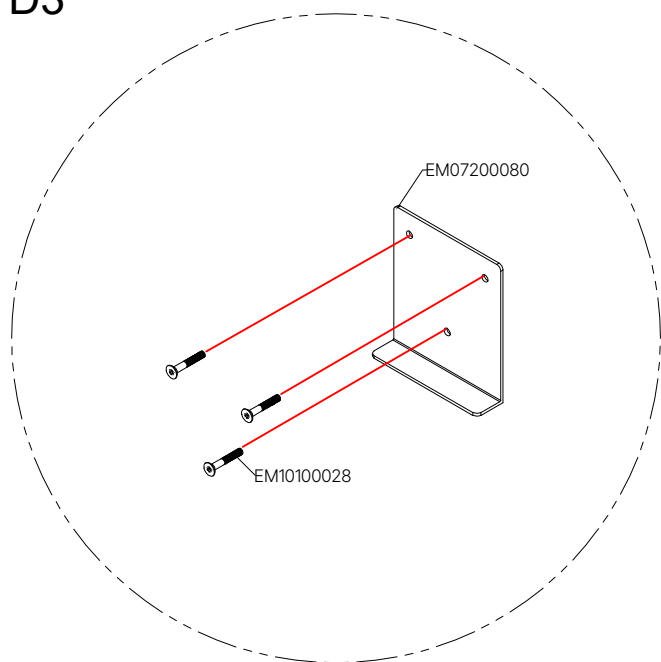


D2

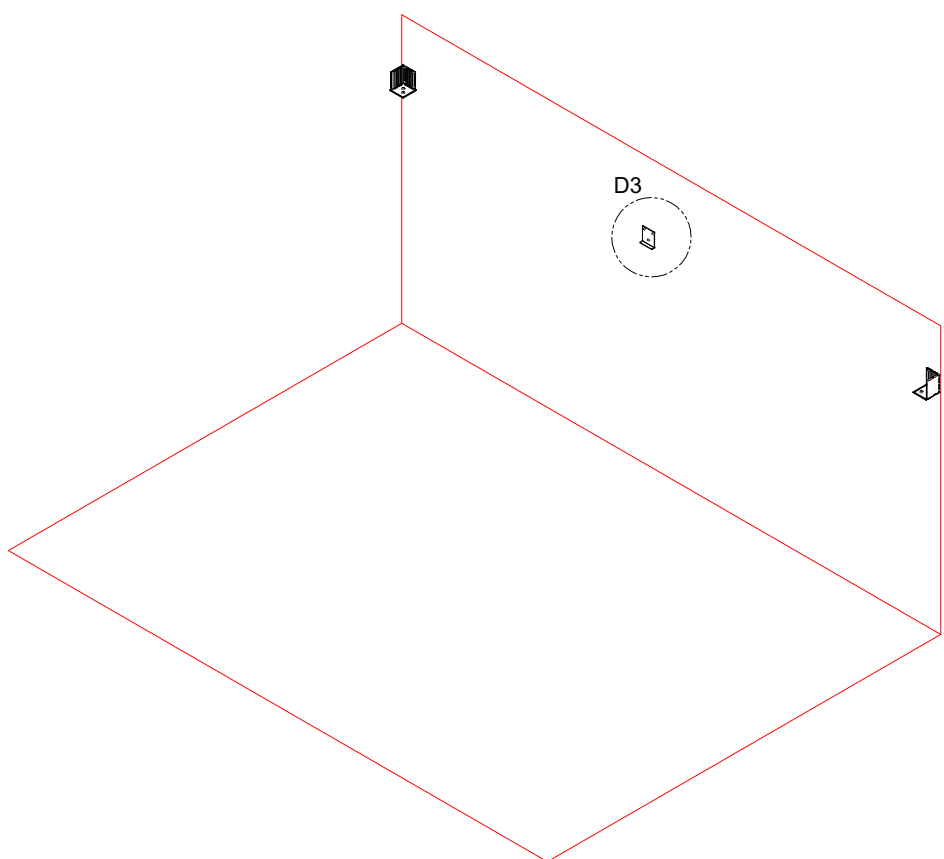
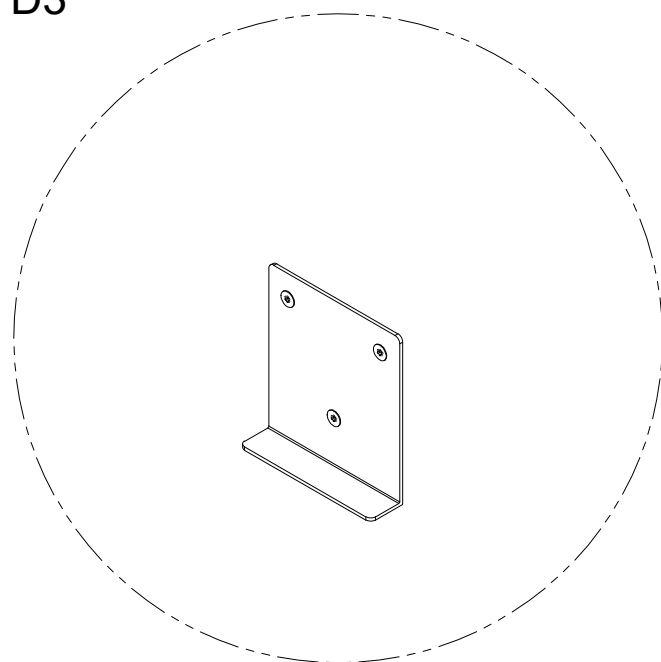


The wall anchor coded EM07300204 is placed in the position. The corner connection plate code EM07300206 is placed inside the anchor and fixed with screws code EM10100028.

D3

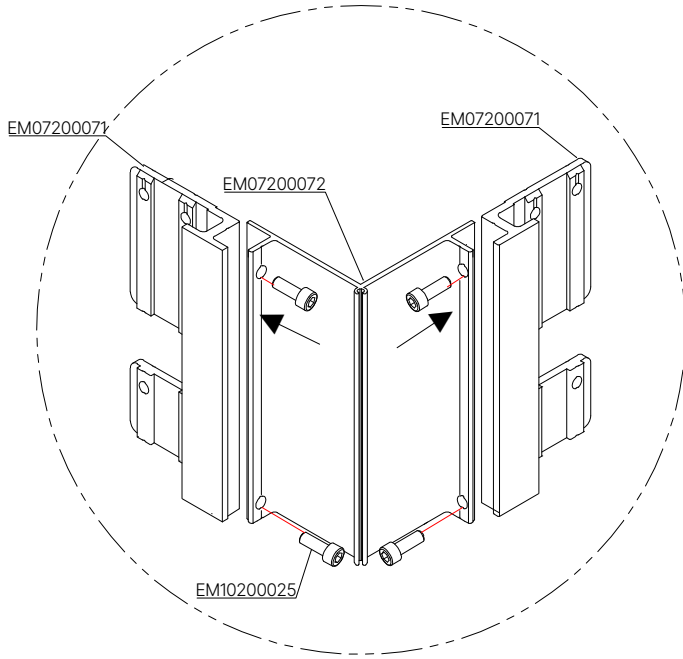


D3

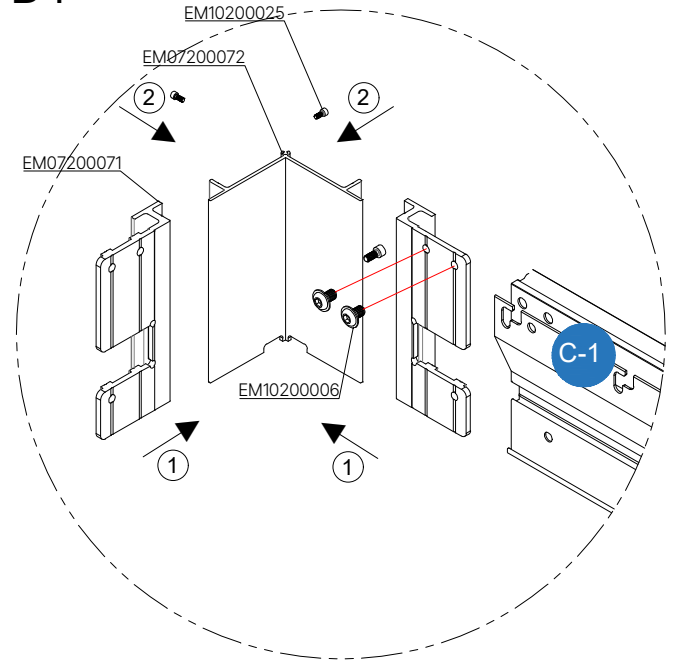


The wall connection plate coded EM07200080 is placed in the central area of the wall. It is fixed with screws coded EM10100028.

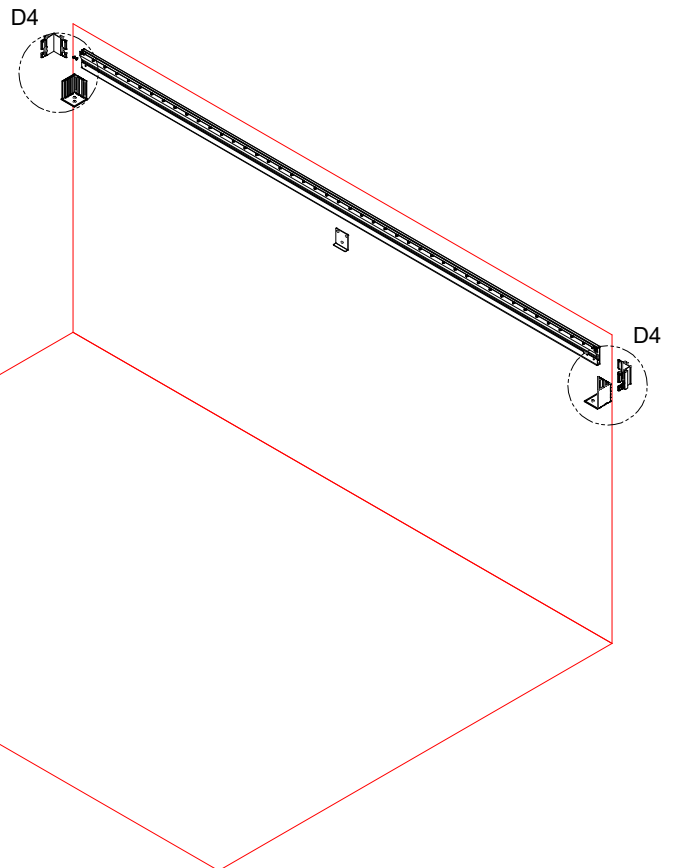
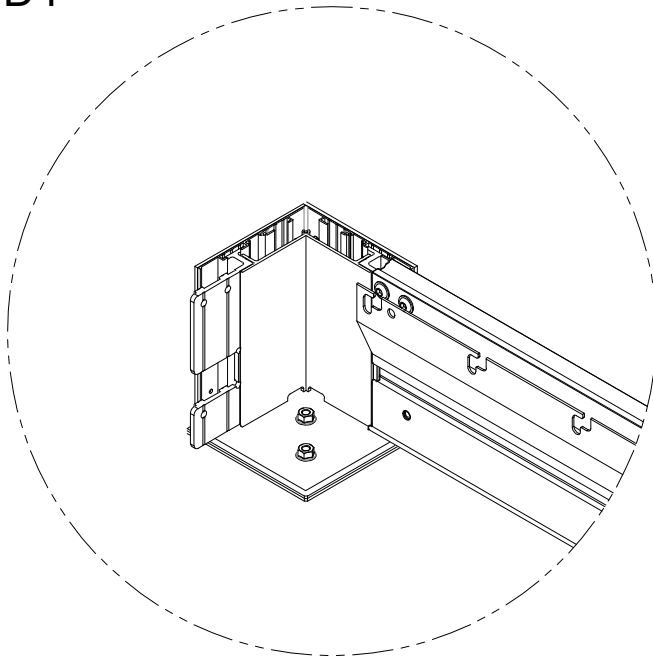
D4



D4

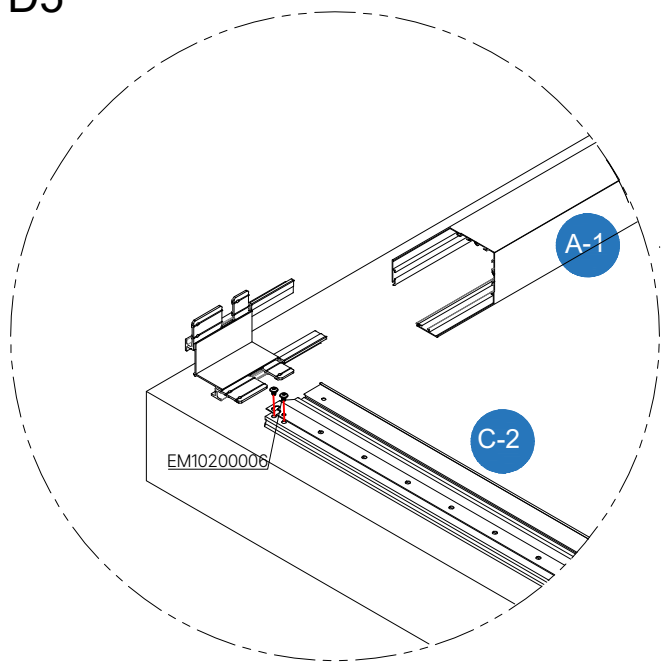


D4

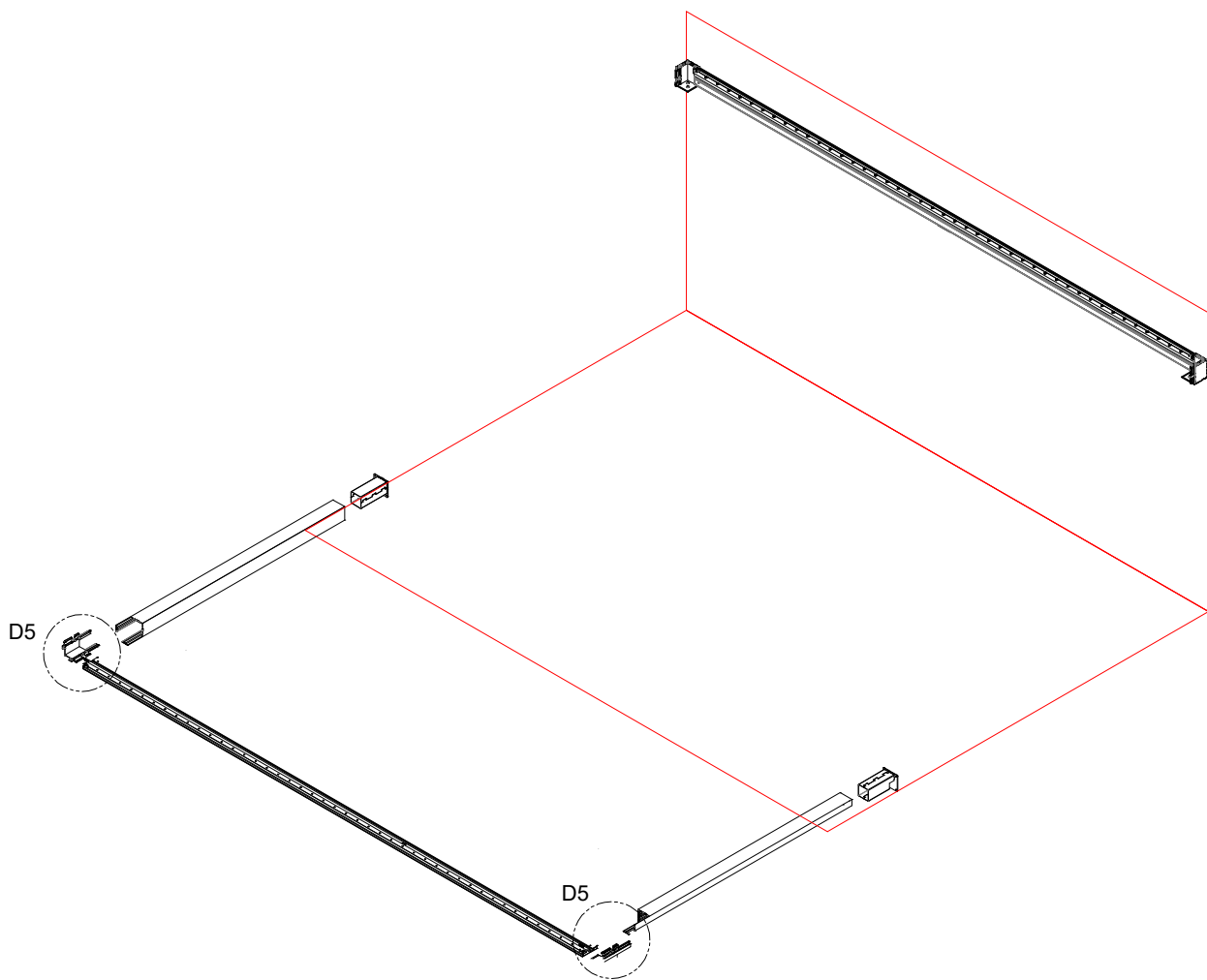
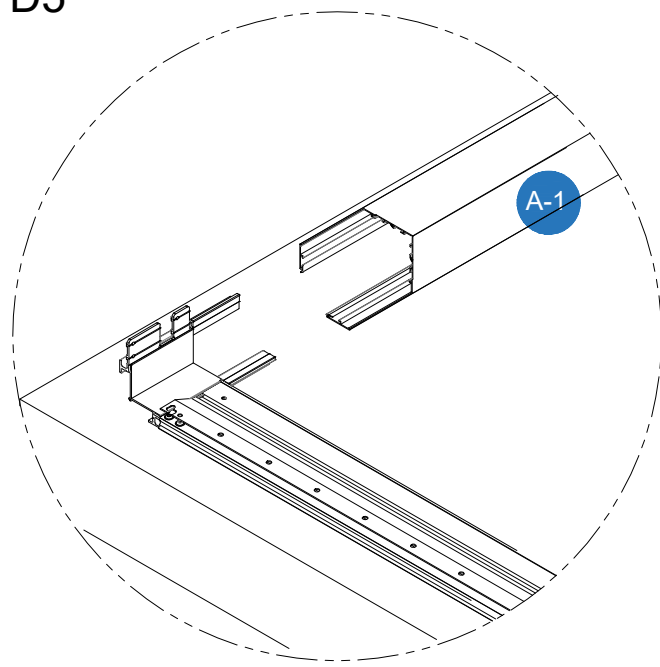


The C2 coded profile with corner connections fixed is inserted into the pillars (M7037). It is screwed through the screw channels on the C2 profile as shown in the figure.

D5

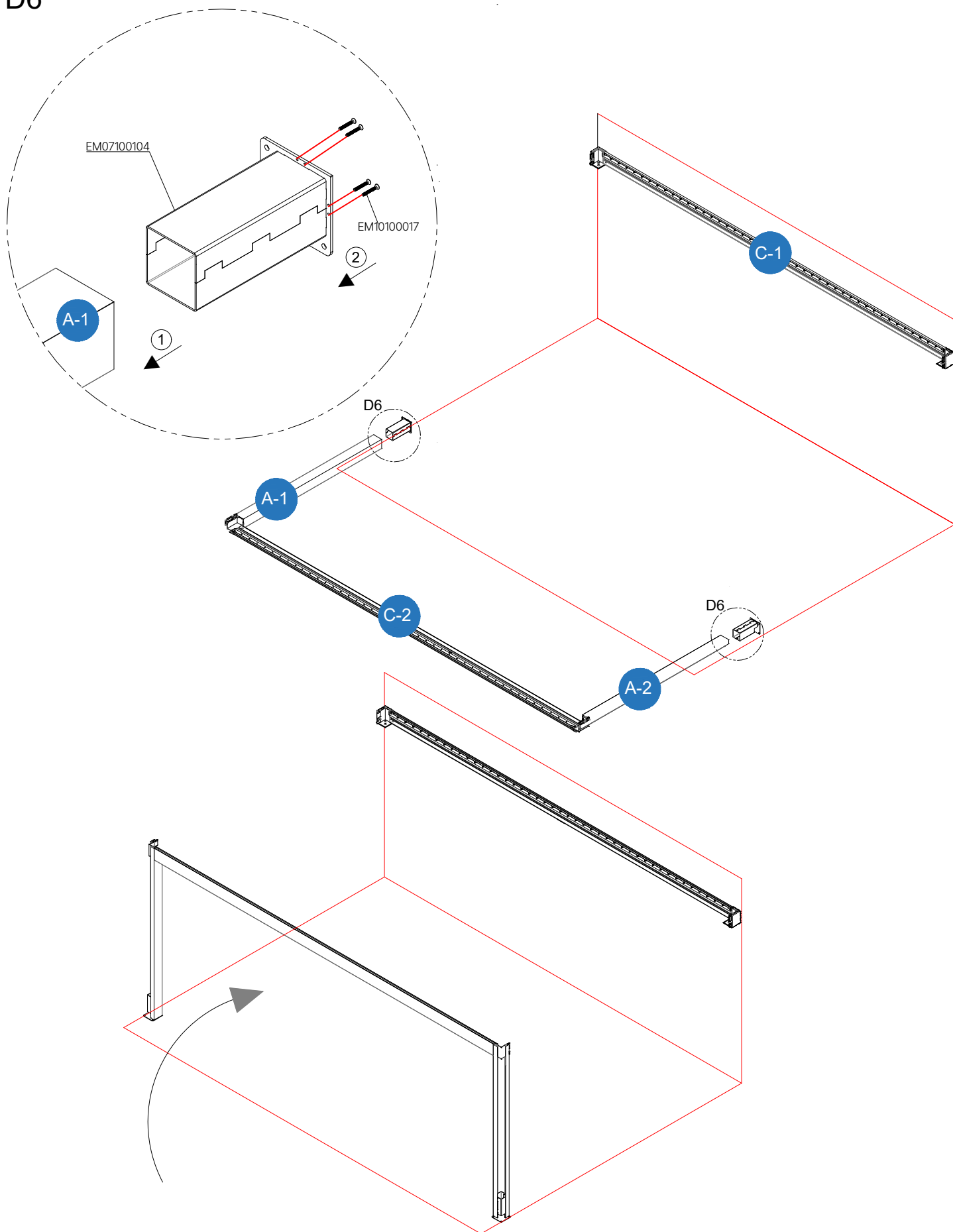


D5



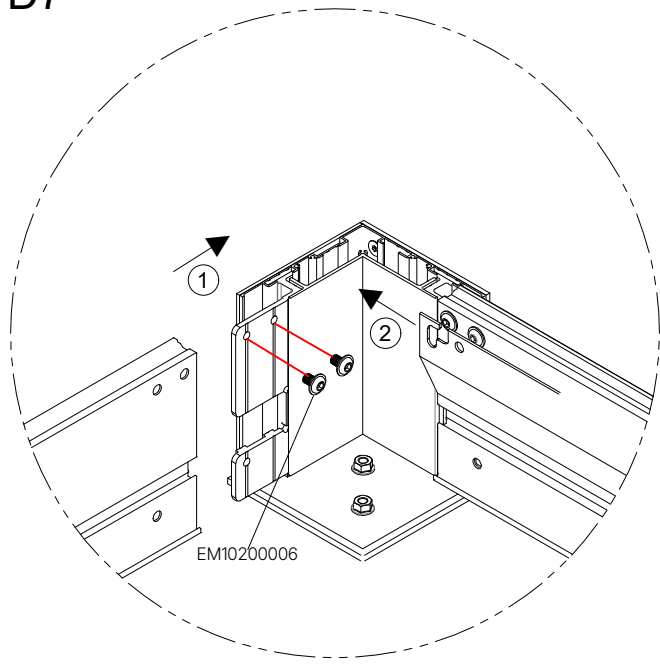
The C2 coded profile with corner connections fixed is inserted into the pillars (M7037). It is screwed through the screw channels on the C2 profile as shown in the figure.

D6

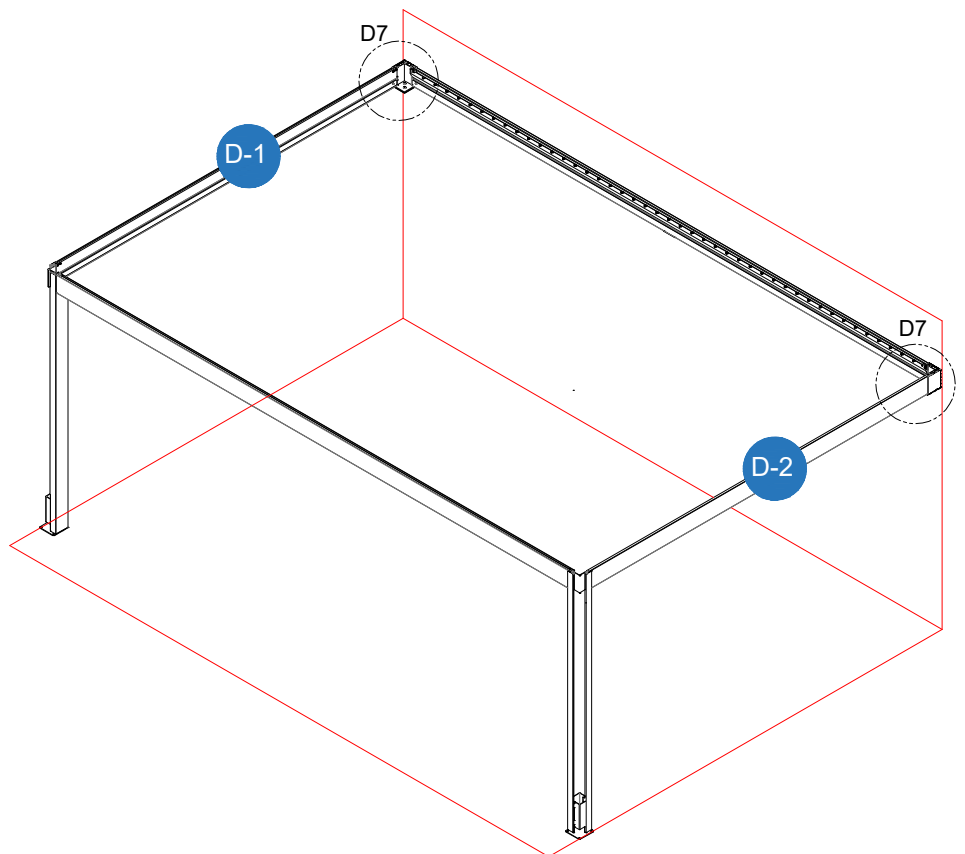
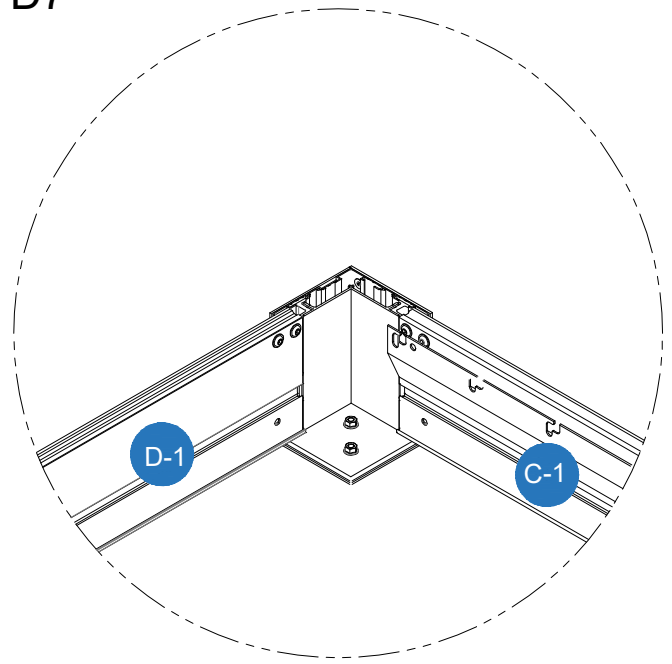


The accessory code EM07100104 is mounted on the pillars. The C2 coded profile, which is shaped like a U on the ground, is lifted as shown in the figure.

D7

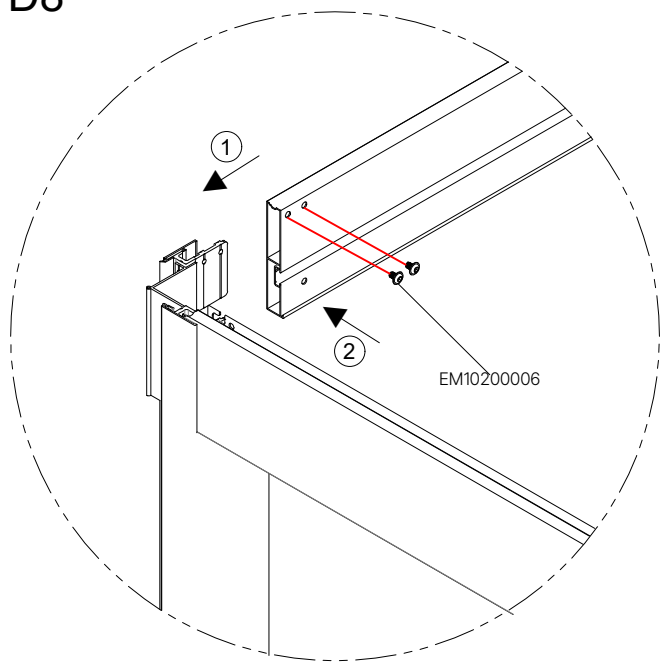


D7

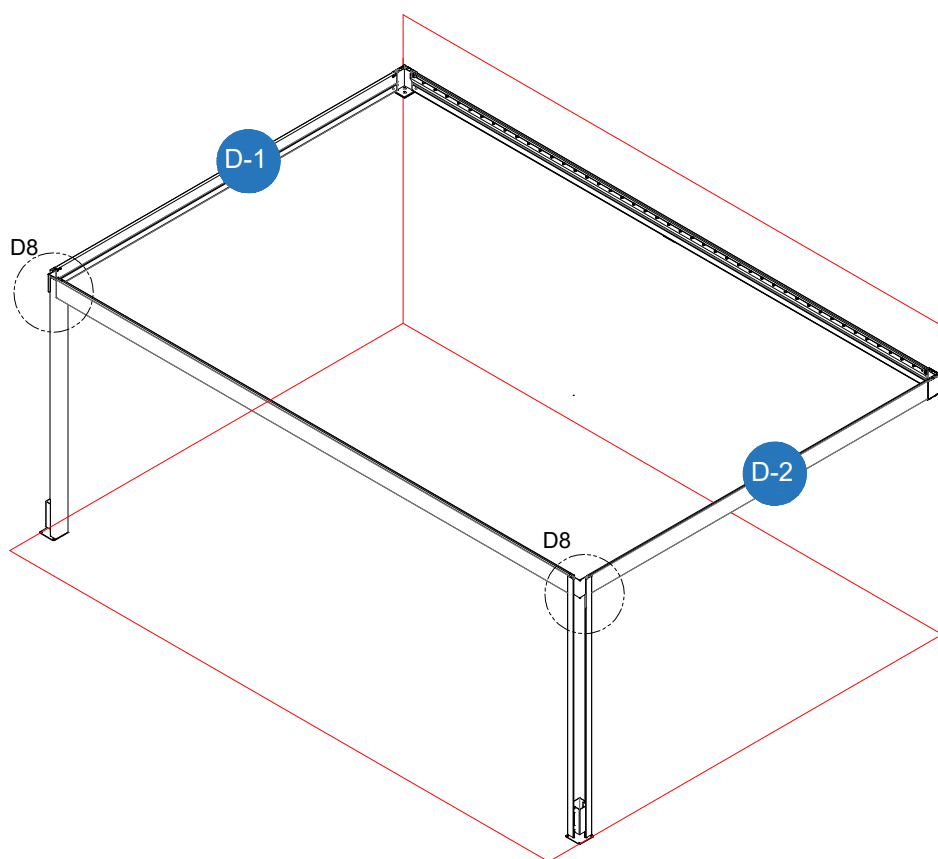
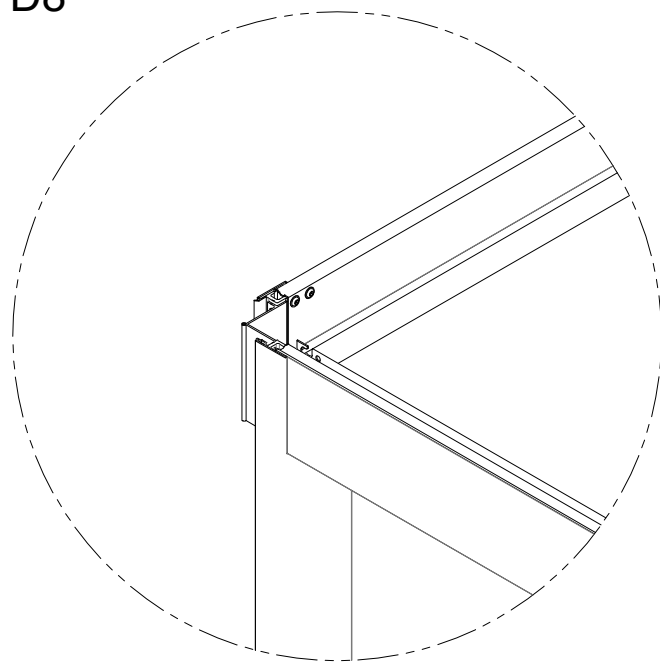


D1 coded profile is inserted to the corner connections as shown in the figure. It is fixed with corner connections by inserting screws with code EM10200006 from the screw channels on the right and left of the profile.

D8

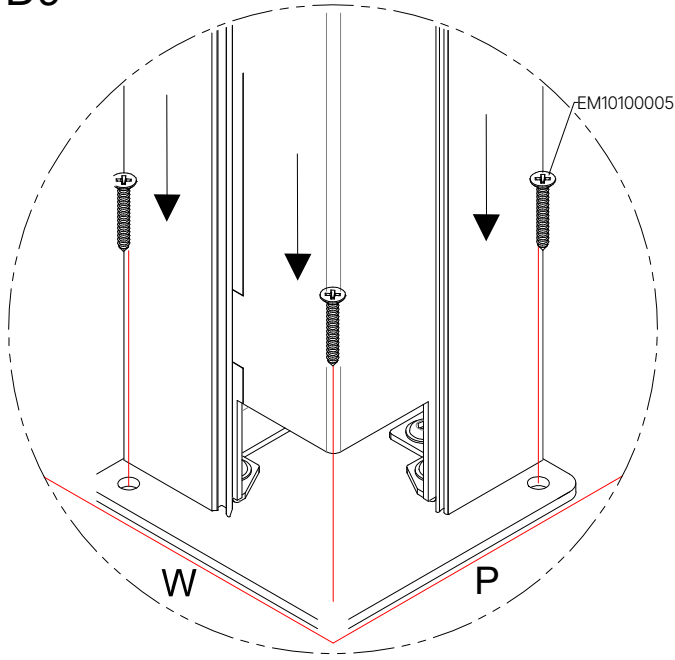


D8

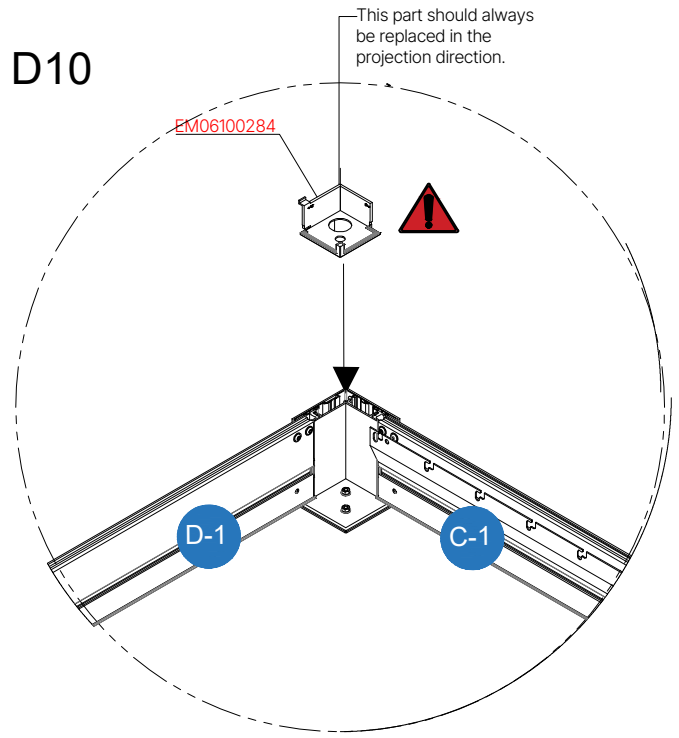


D1 coded profile is inserted to the corner connections as shown in the figure. It is fixed with corner connections by inserting screws with code EM10200006 from the screw channels on the right and left of the profile.

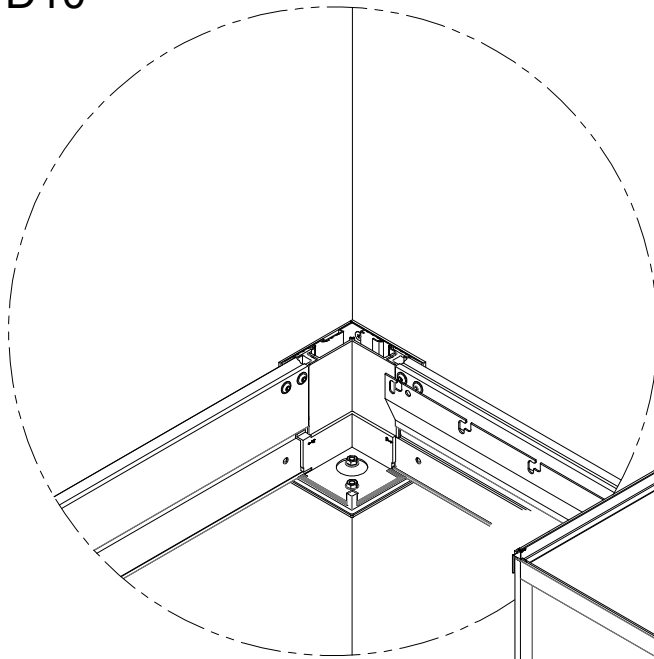
D9



D10

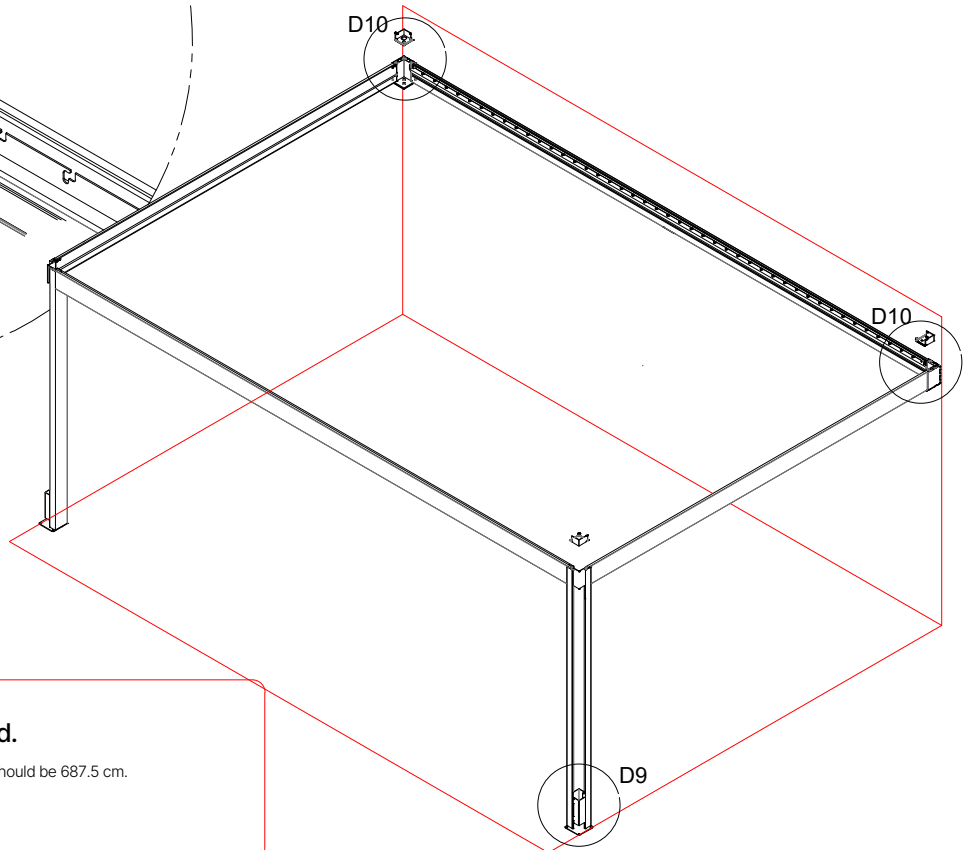


D10



**Attention**

Watch the video titled "Step 5" to carry out the cabling process.

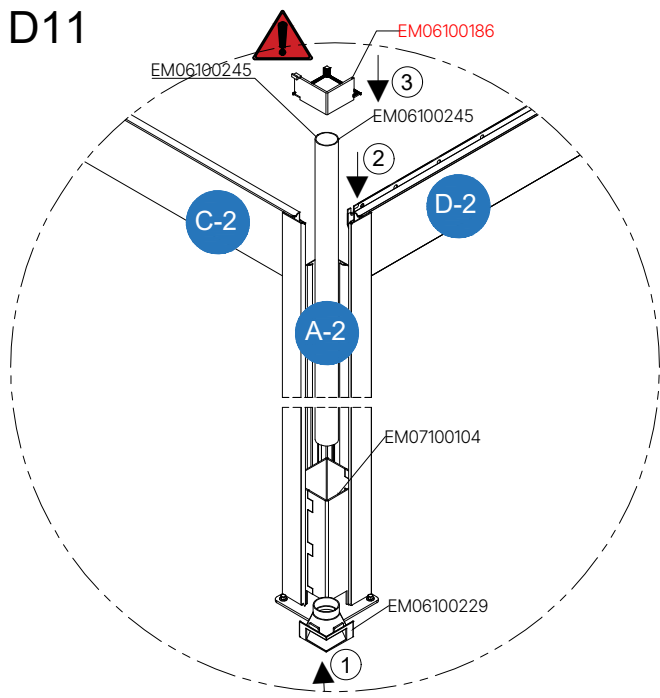


**Diagonal size should be checked.**

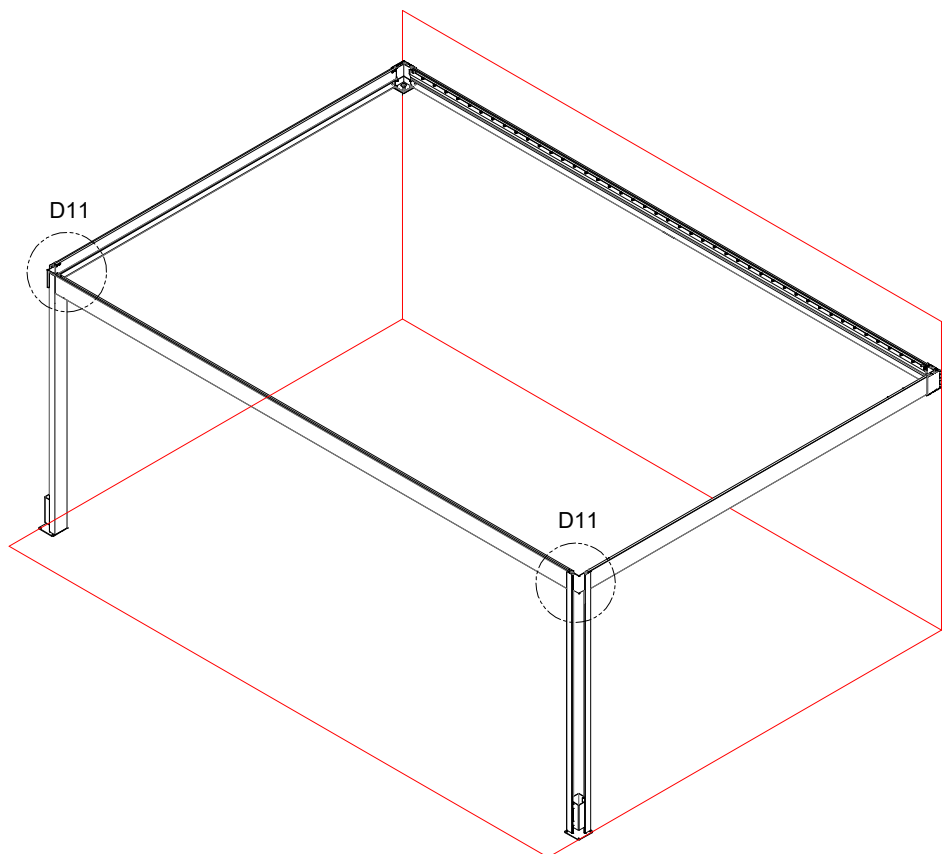
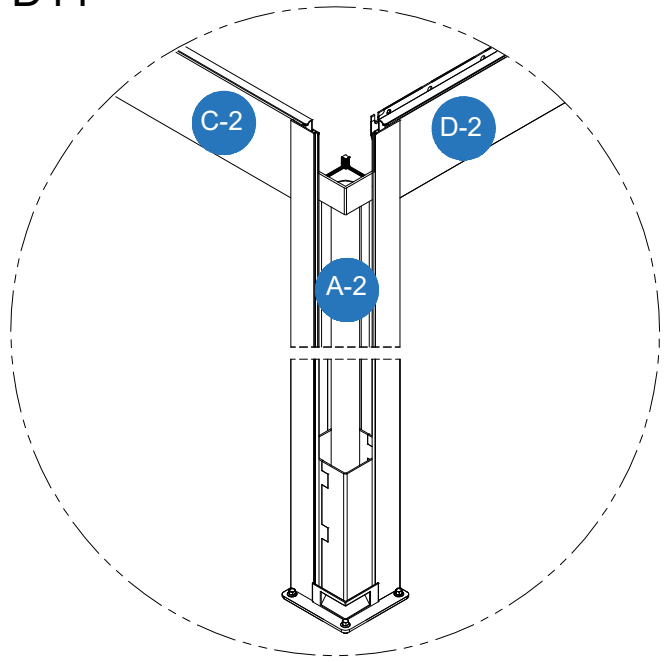
If your system is 4x6 meters, then the diagonal measurement should be 687.5 cm.

As shown in the figure, the diagonal dimensions of the system are checked. If the measurement is not correct, it is brought to the required size and the system is fixed by using ground screws. Water drain plugs are attached to the pillars on the front of the system. The pipe is passed from above and attached to the plugs. Rubbers are attached to the four corners. The rubbers on the part where the pipe is located (the two rubbers on the front face of the system) should be cut with a carpet knife from the circular area.

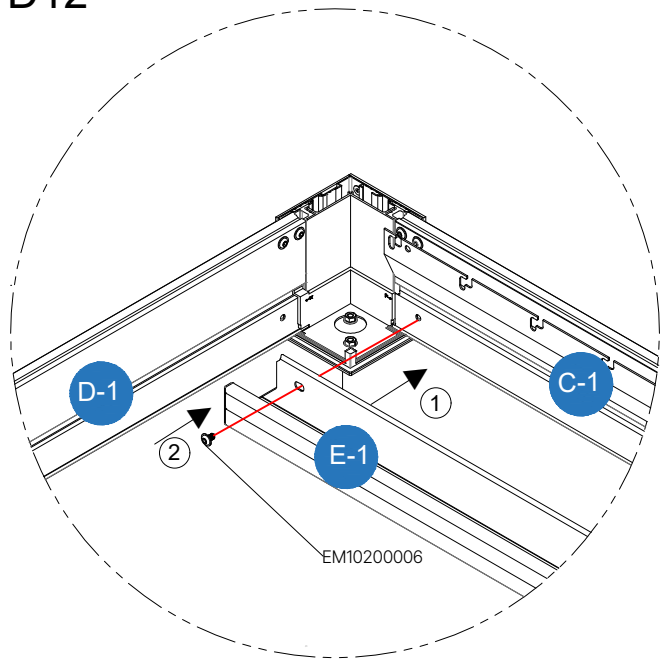
D11



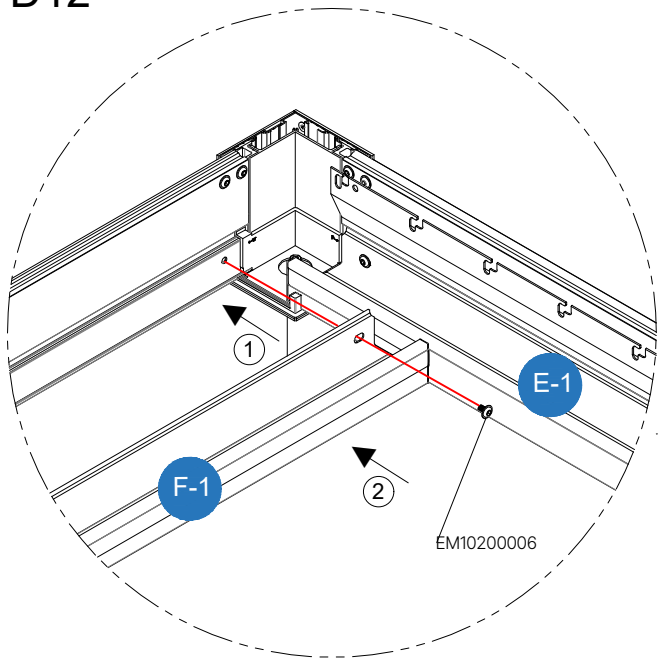
D11



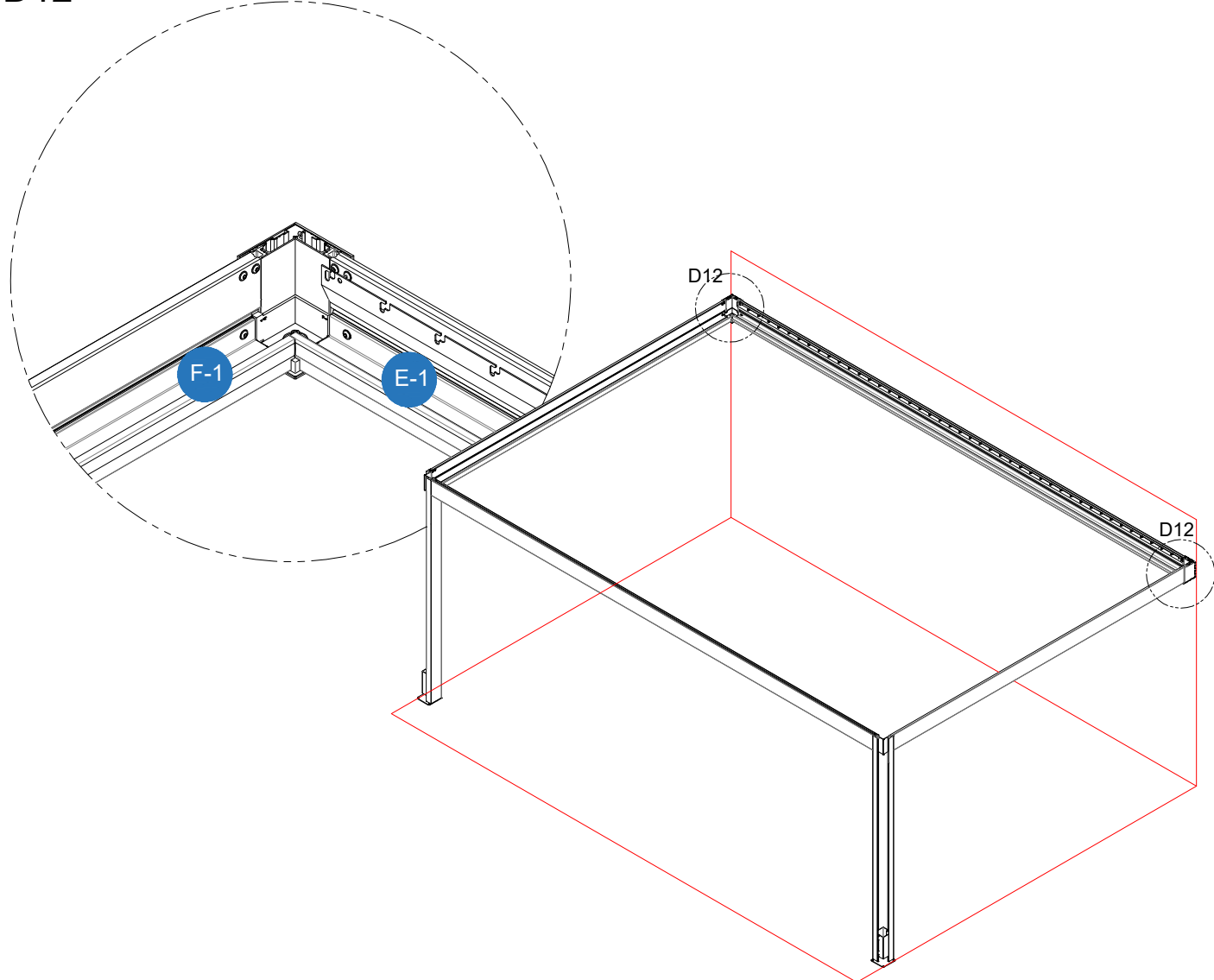
D12



D12

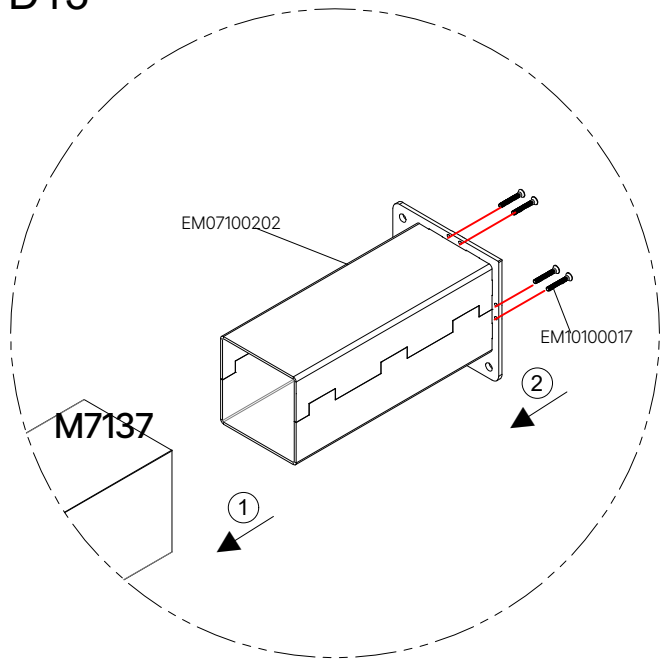


D12

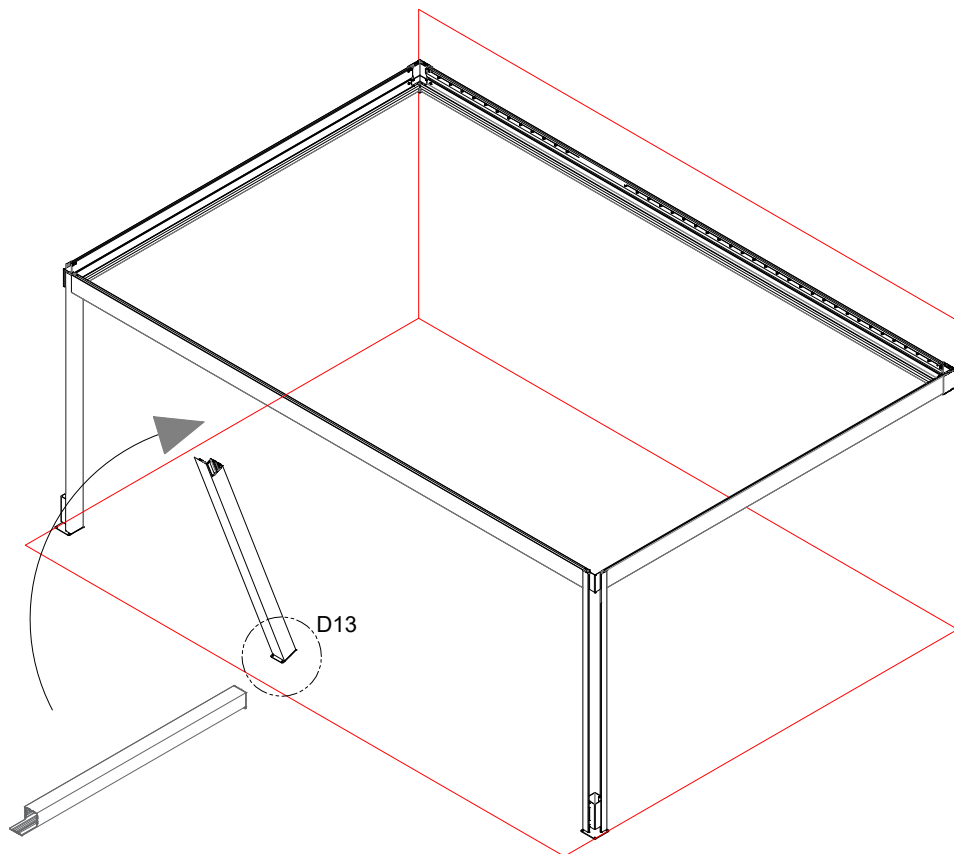
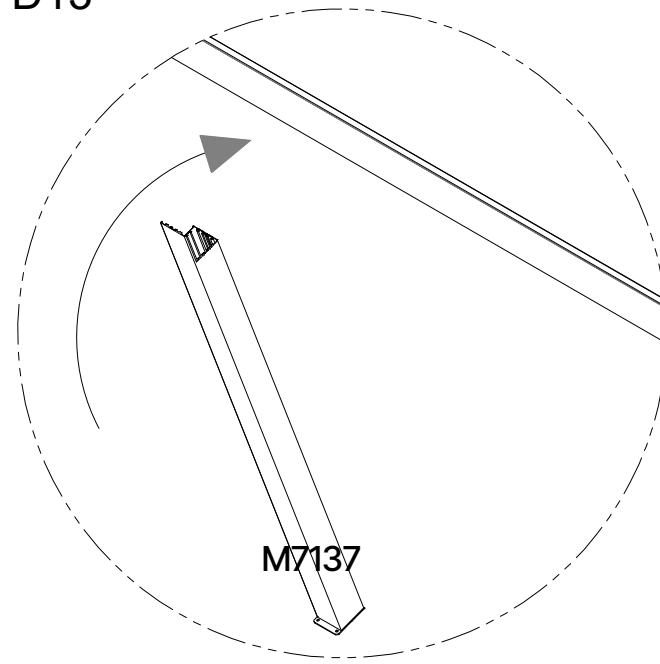


All gutters are fixed by screwing them from above with the screw code EM10200006 from each corner as shown in the figure.

D13

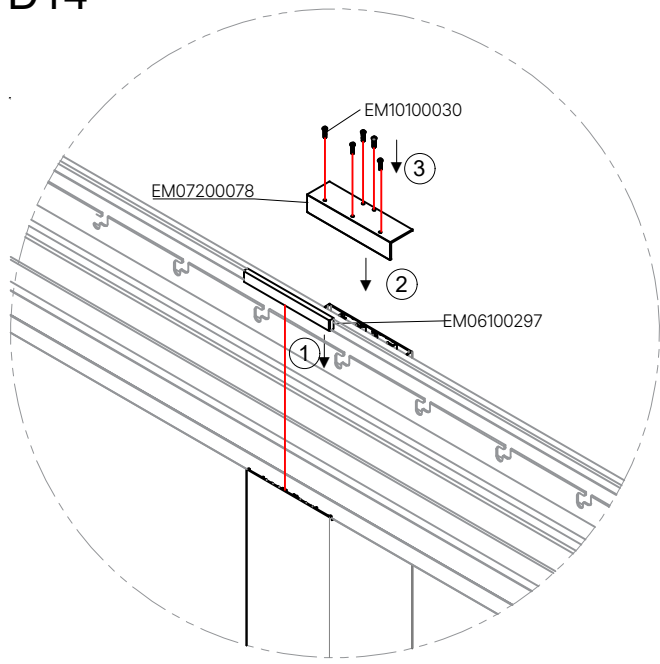


D13

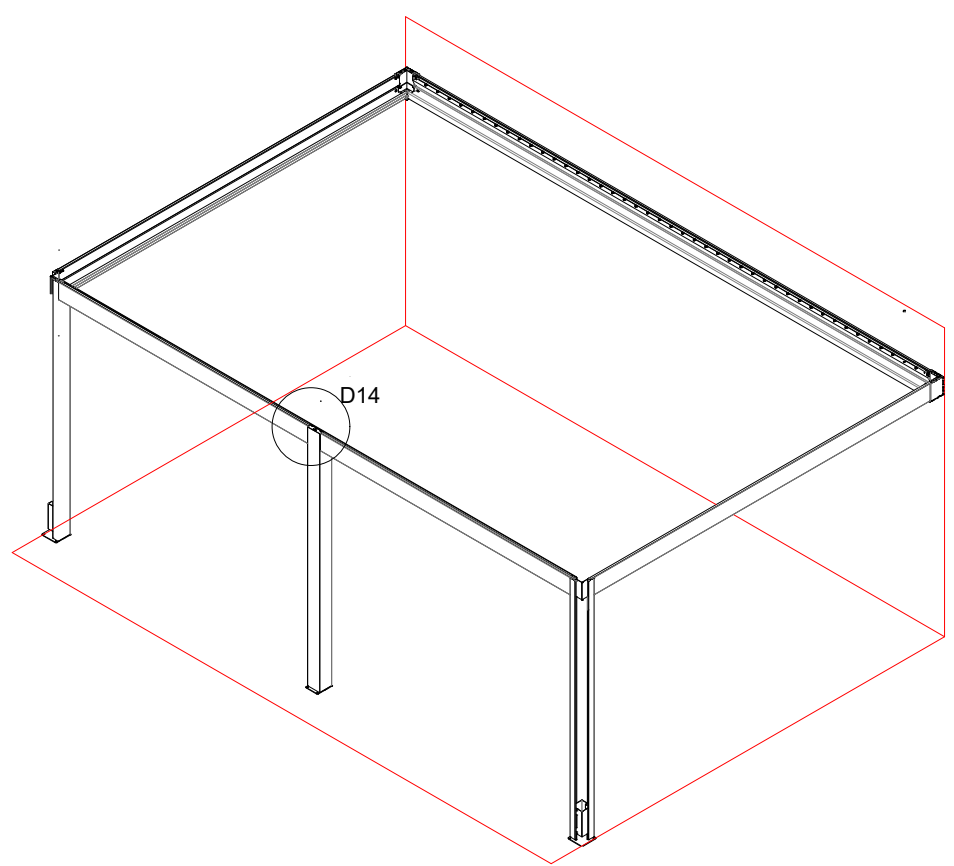
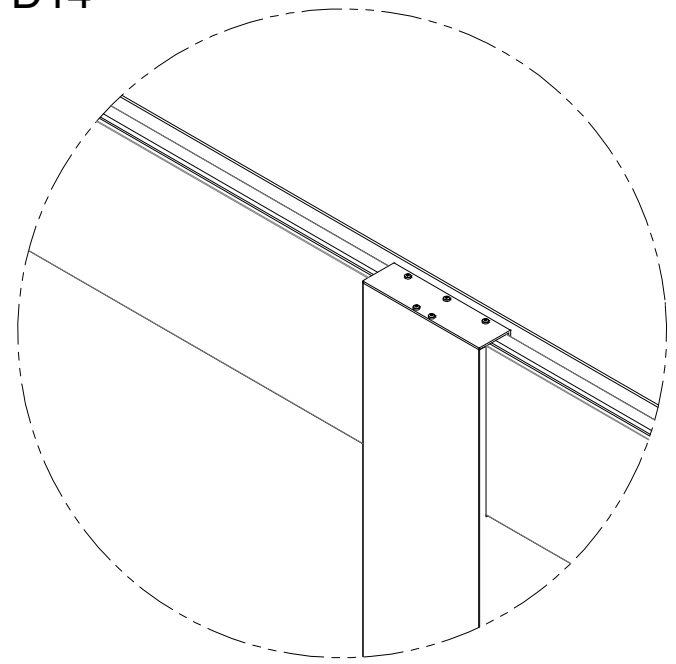


The accessory code EM07100202 is mounted on the pillars.

D14

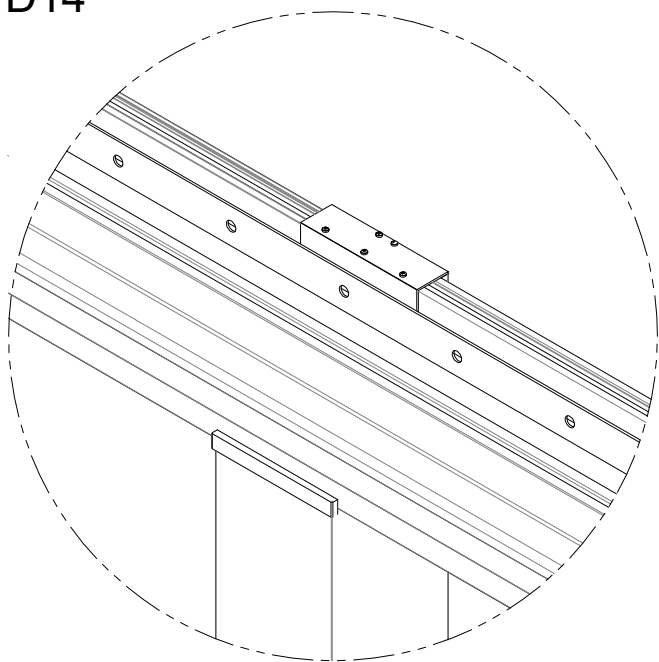


D14

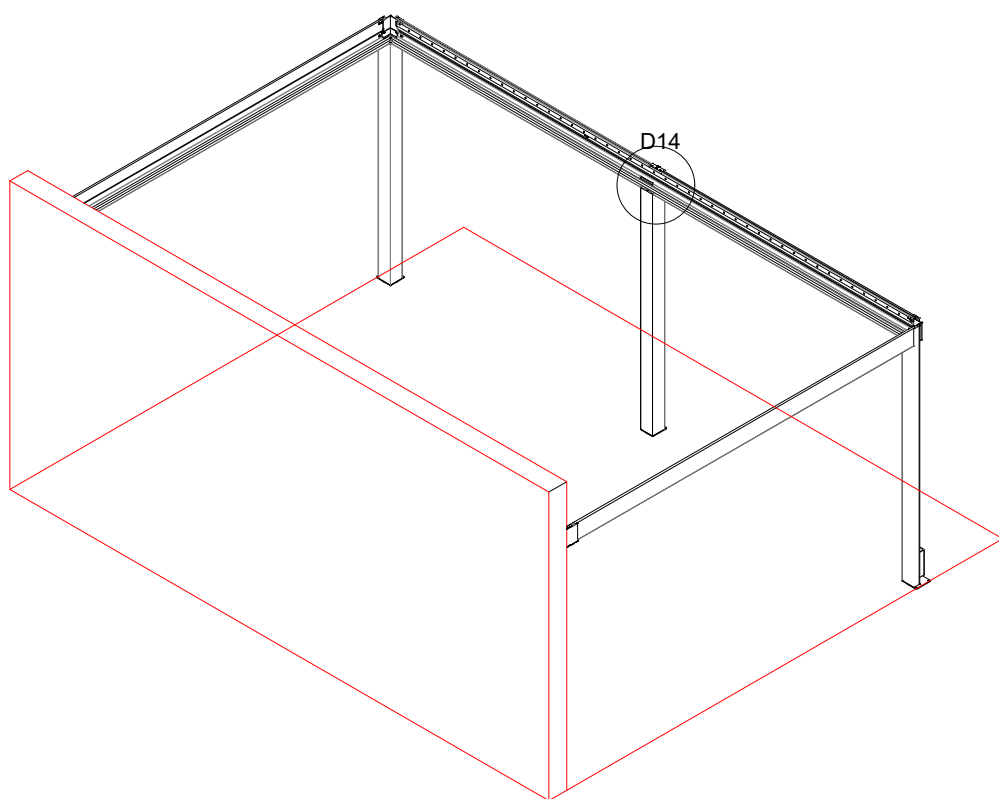
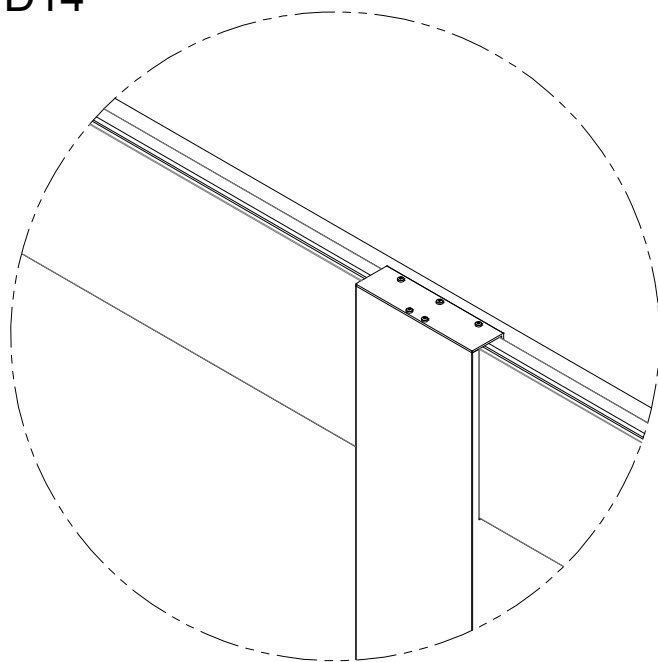


The central pillar sheet coded EM07200078 is placed at the center pillar position of the system. It is fixed with screws coded EM10100030.

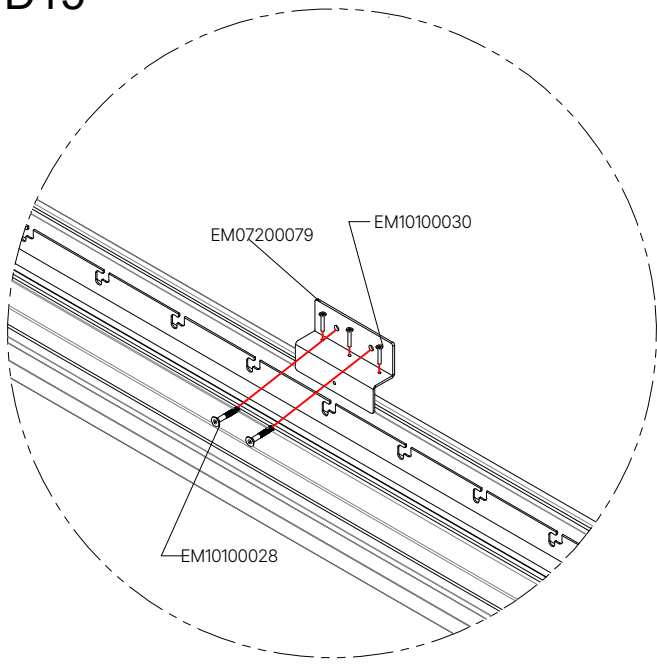
D14



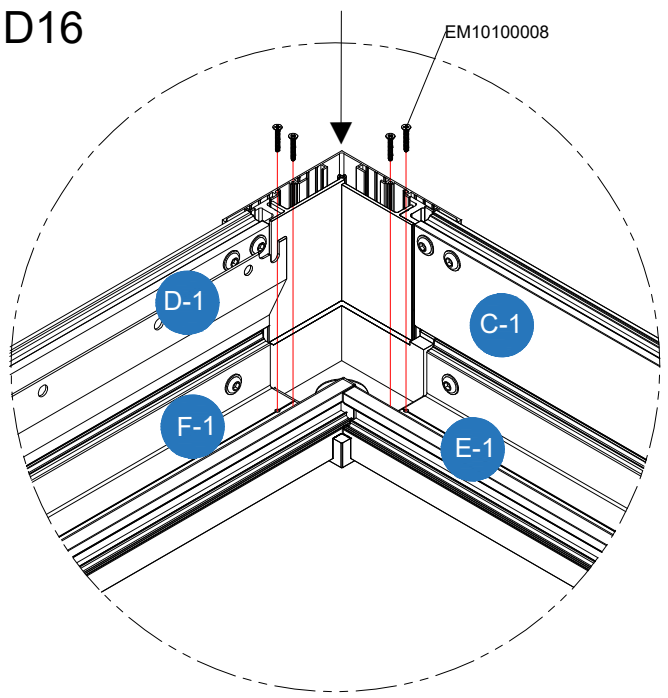
D14



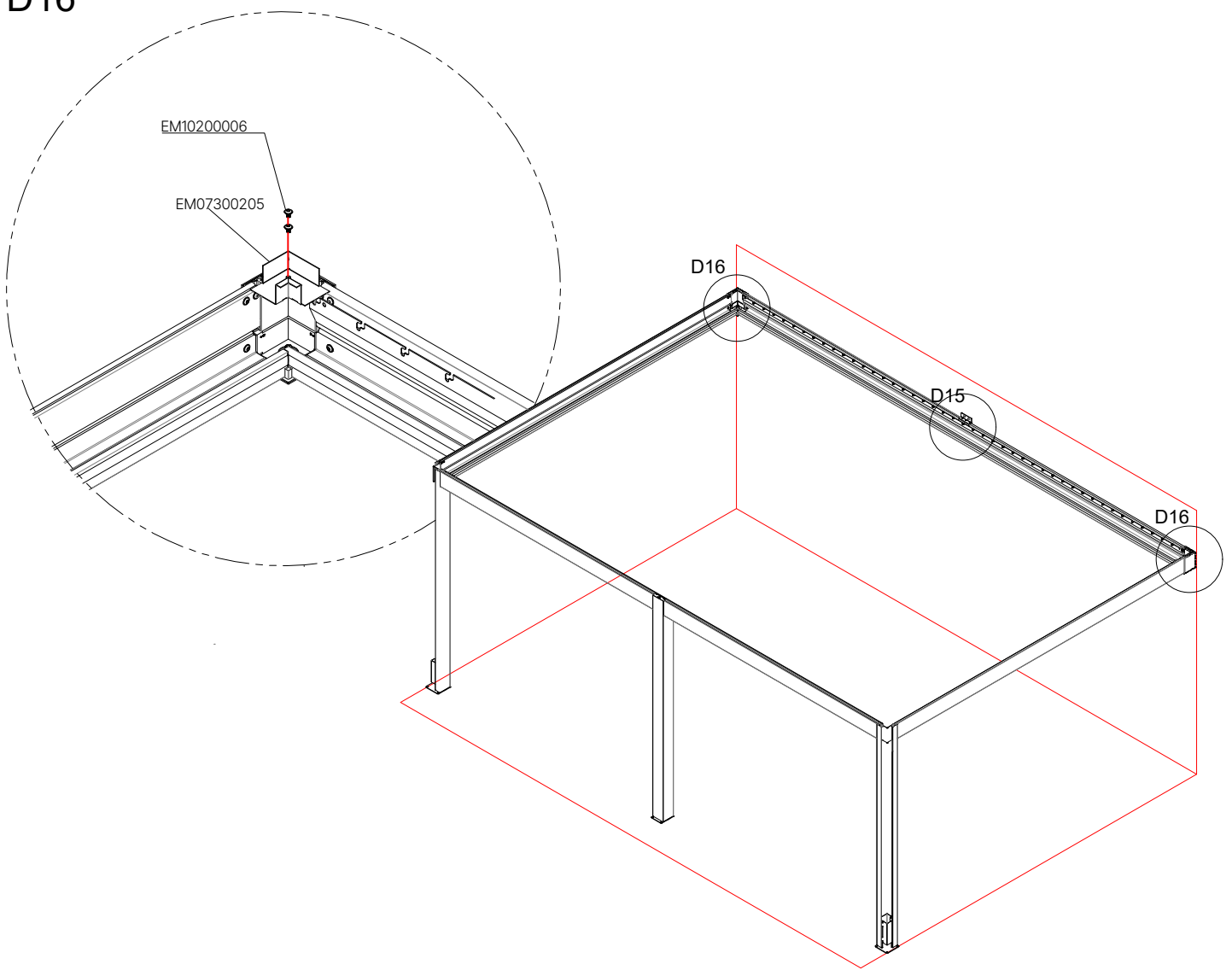
D15



D16

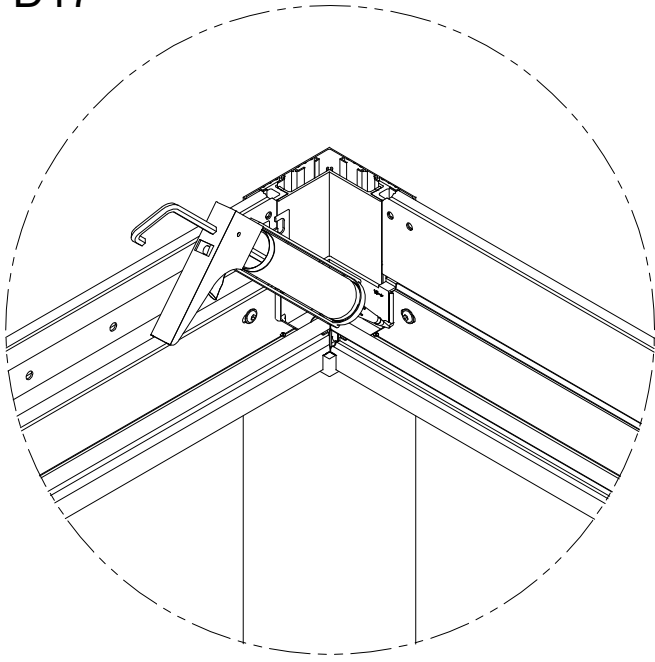


D16

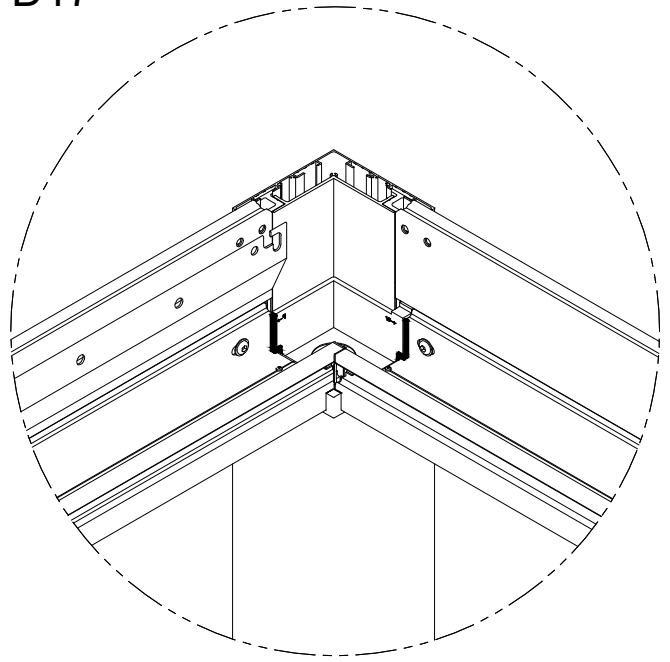


The wall connection plate coded EM07200079 is fixed to the wall with screws coded EM10100030 and EM10100028, as shown in the figure. Then, the accessory coded EM07300205 is fixed to all corners with screws coded EM10200006.

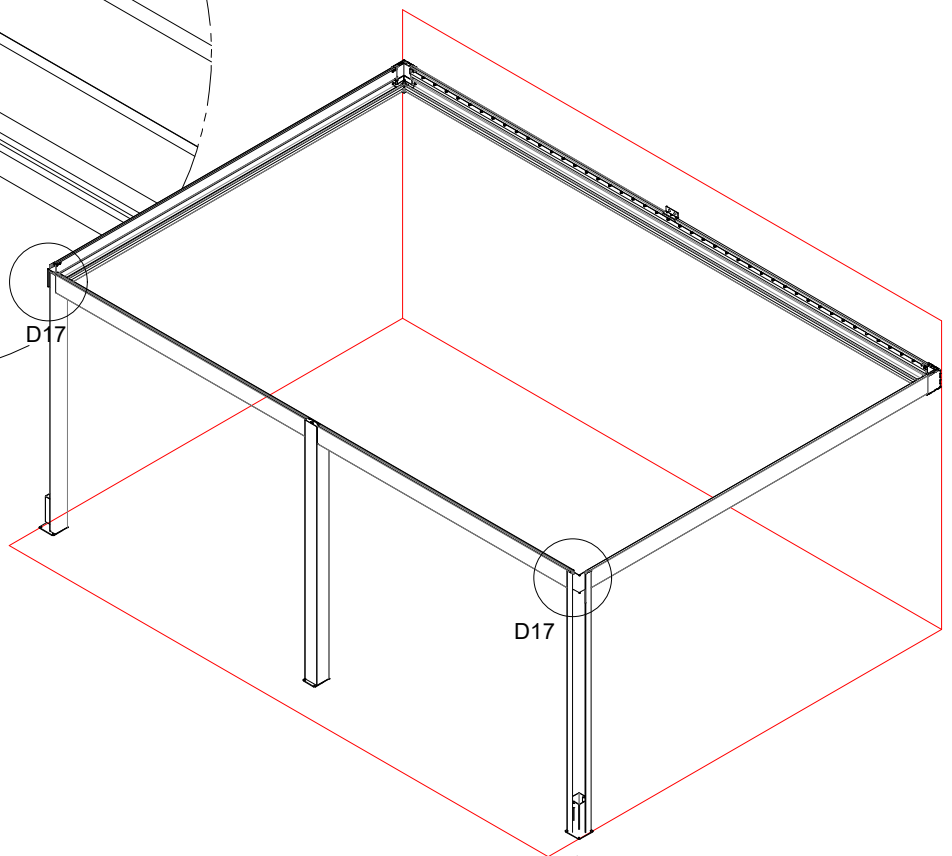
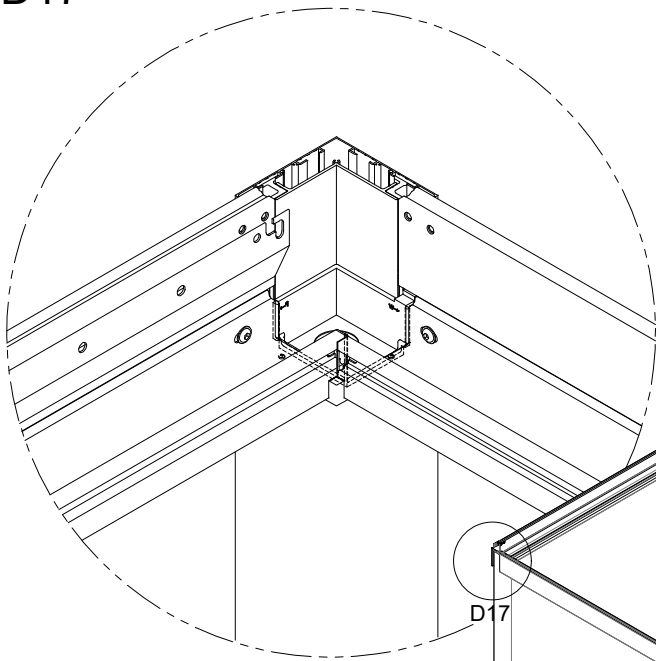
D17



D17

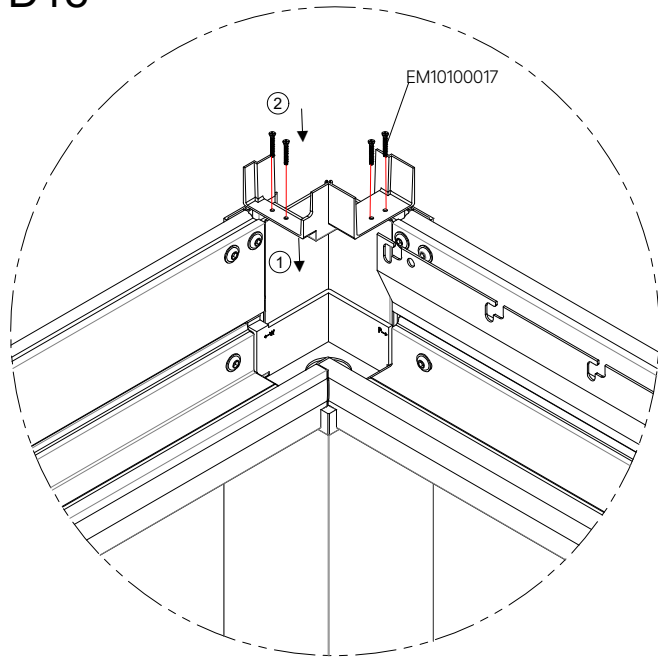


D17

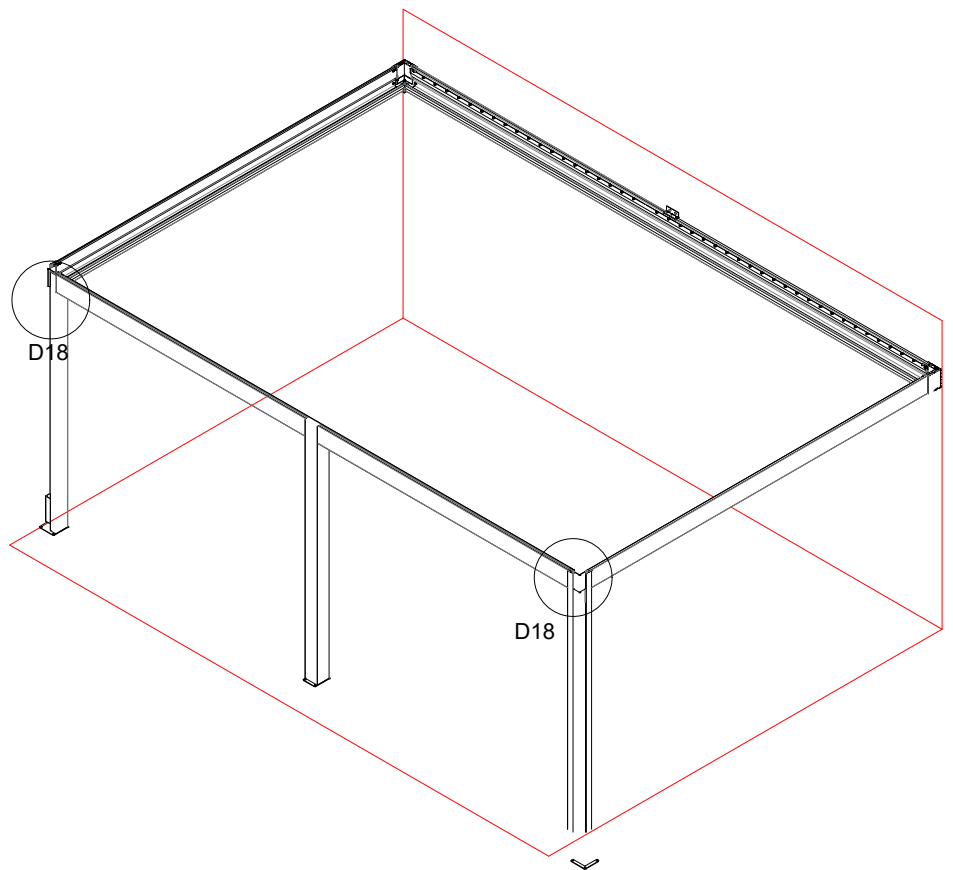
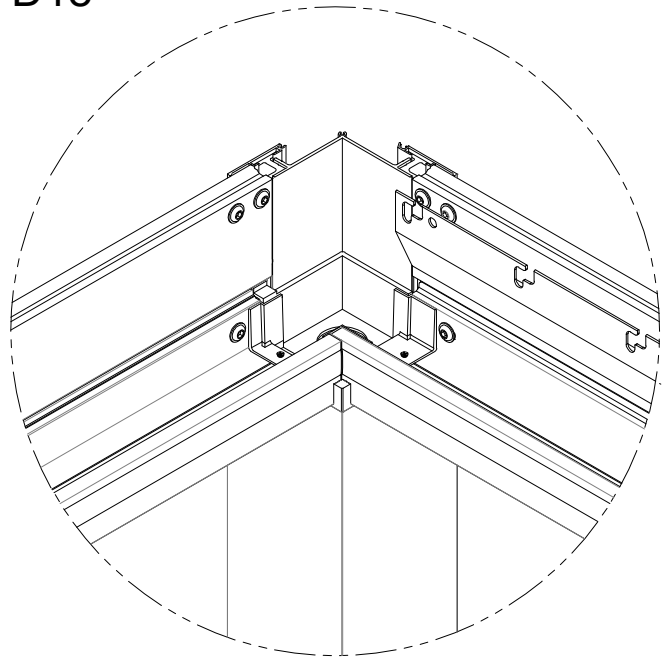


Silicone should be applied to the junction of the rubbers (EM06100186) on the 2 corners, as shown in the figure.

D18



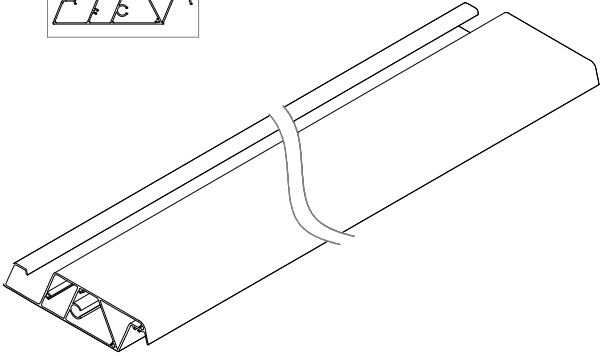
D18



All gutters are fixed by screwing them from above with the screw code EM10100017 from each corner as shown in the figure.

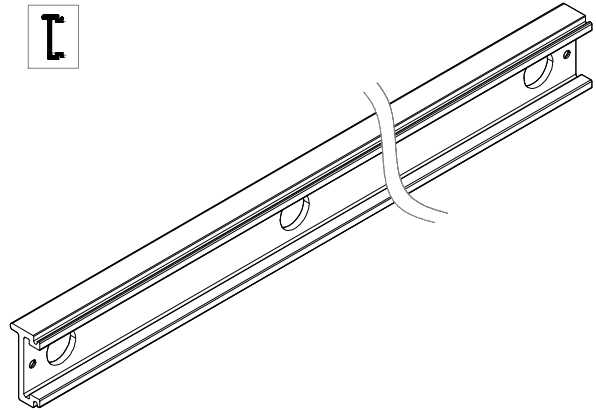
# Ecoclimatic Profiles For Second Step

M7400



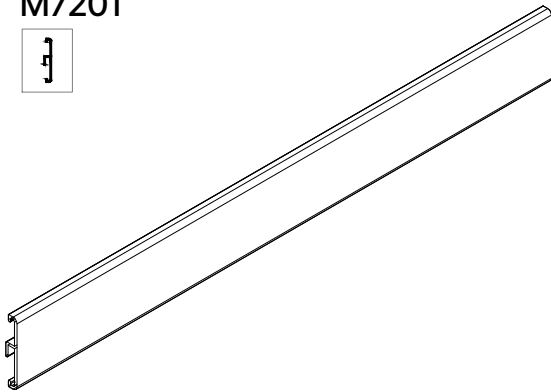
For 4x6 meters systems : 45 pcs

M7031



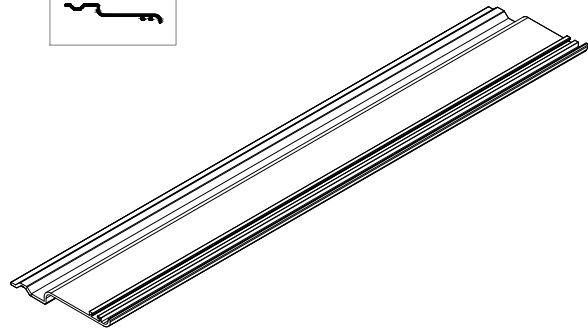
For 4x6 meters systems : 2 pcs

M7201



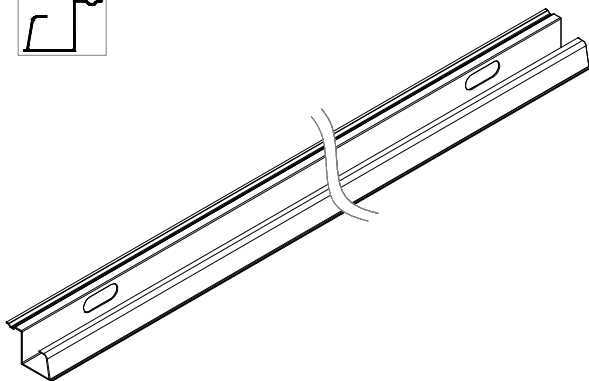
For 4x6 meters systems : 2 pcs

M7029



For 4x6 meters systems : 2 pcs

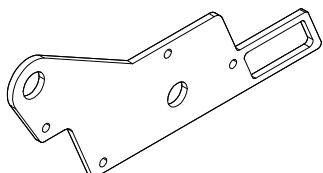
M7030



For 4x6 meters systems : 2 pcs

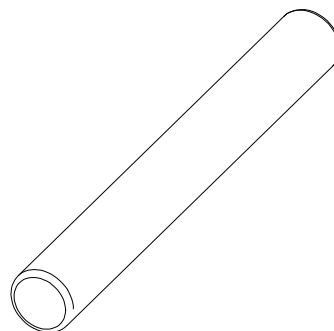
# Ecoclimatic Accessories For Second Step

EM07100191



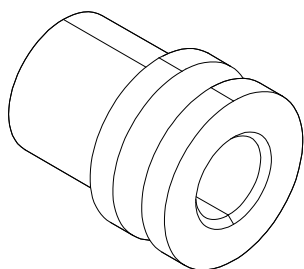
For 4x6 meters systems : 89 pcs

EM07300164



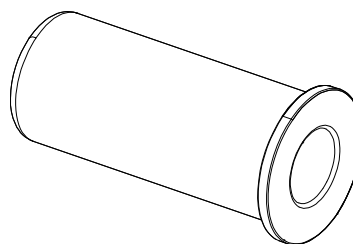
For 4x6 meters systems : 90 pcs

EM06100202



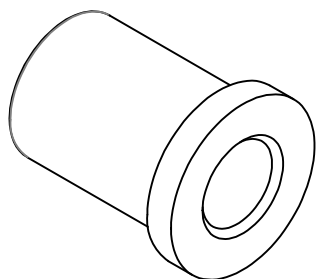
For 4x6 meters systems : 45 pcs

EM06100203



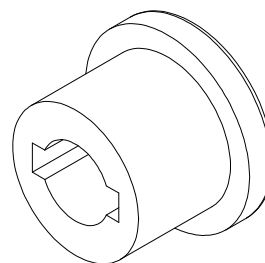
For 4x6 meters systems : 90 pcs

EM06100228  
*motor side*



For 4x6 meters systems : 45 pcs

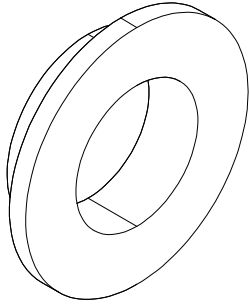
EM06100208



For 4x6 meters systems : 90 pcs

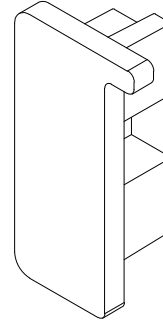
# Ecoclimatic Accessories For Second Step

EM06100184



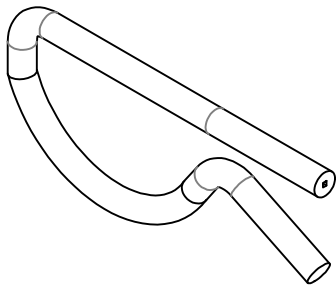
For 4x6 meters systems : 90 pcs

EM06100279 - (Black)  
EM06100278 - (White)



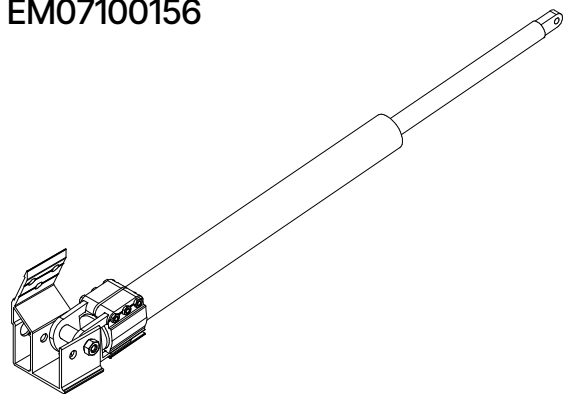
For 4x6 meters systems : 4 pcs

EM07400027



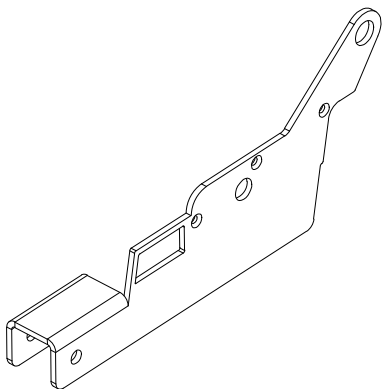
For 4x6 meters systems : 90 pcs

EM07100156



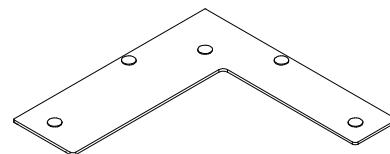
For 4x6 meters systems : 1 pcs

EM07100183



For 4x6 meters systems : 1 pcs

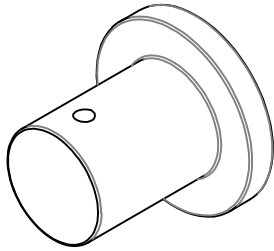
EM07100105



For 4x6 meters systems : 4 pcs

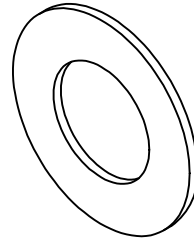
# Ecoclimatic Accessories For Second Step

EM06100302



*For 4x6 meters systems : 90 pcs*

EM10400005

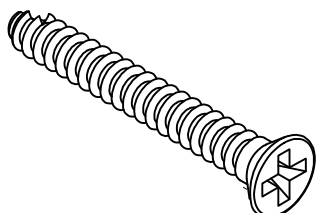


*For 4x6 meters systems : 90 pcs*

# Ecoclimatic Accessories For Second Step

**EM10100029**

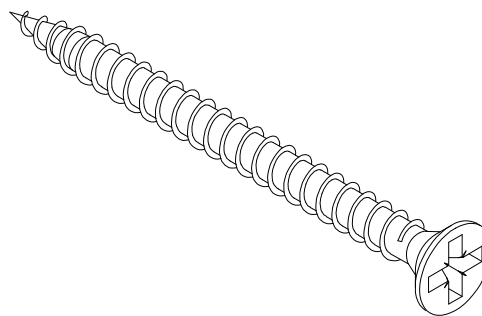
3,9x12mm Screw



For 4x6 meters systems : 4 pcs

**EM10100007**

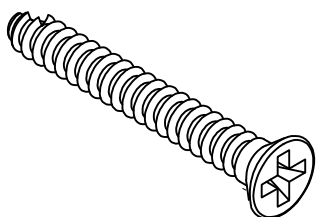
3,9x30mm Screw



For 4x6 meters systems : 360 pcs

**EM10100030**

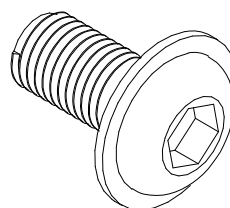
3,9x25mm Screw



For 4x6 meters systems : 46 pcs

**EM10200030**

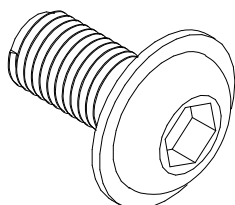
M6X35 Bolt



For 4x6 meters systems : 1 pcs

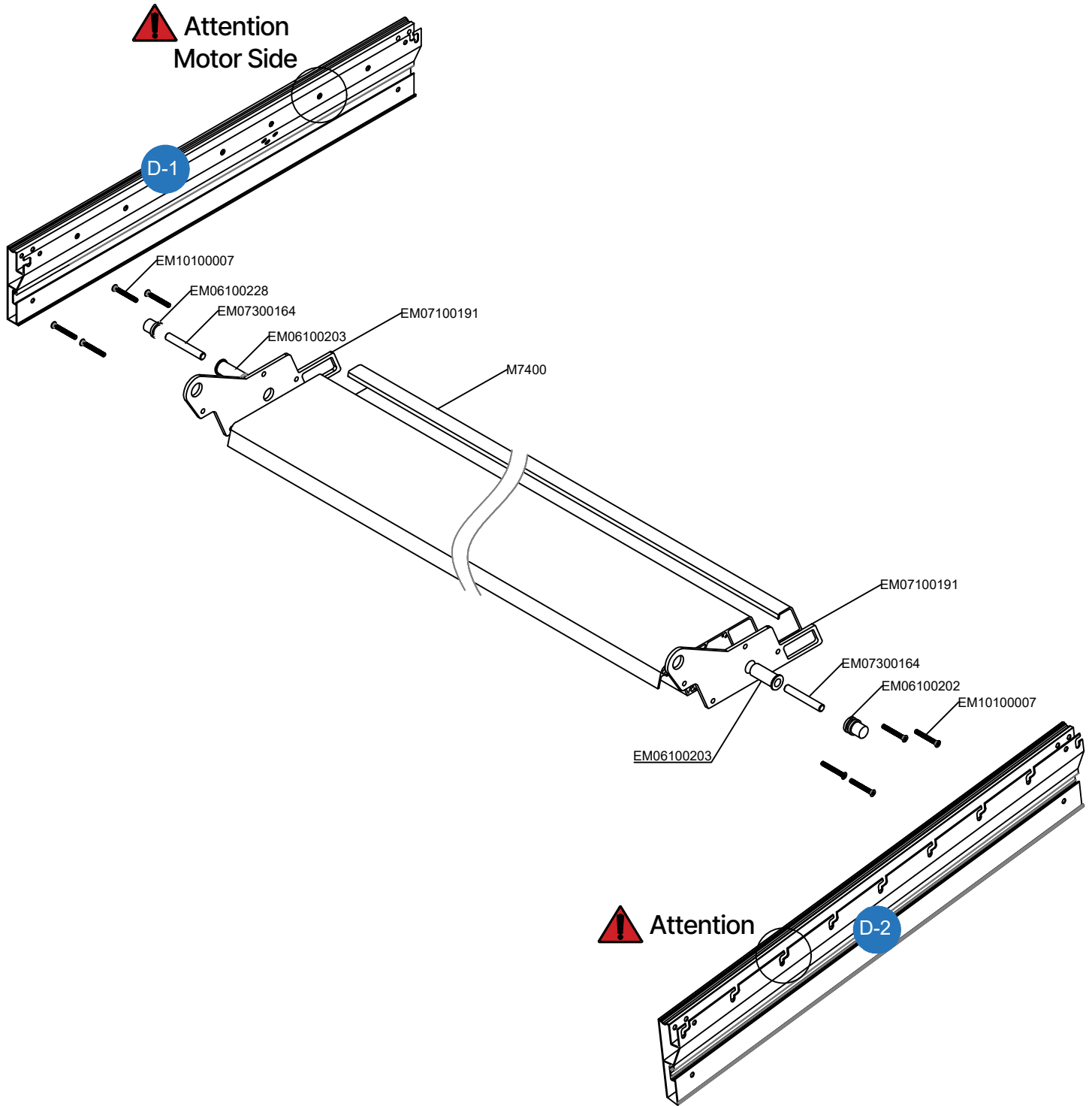
**EM10200006**

M8X12 Bolt



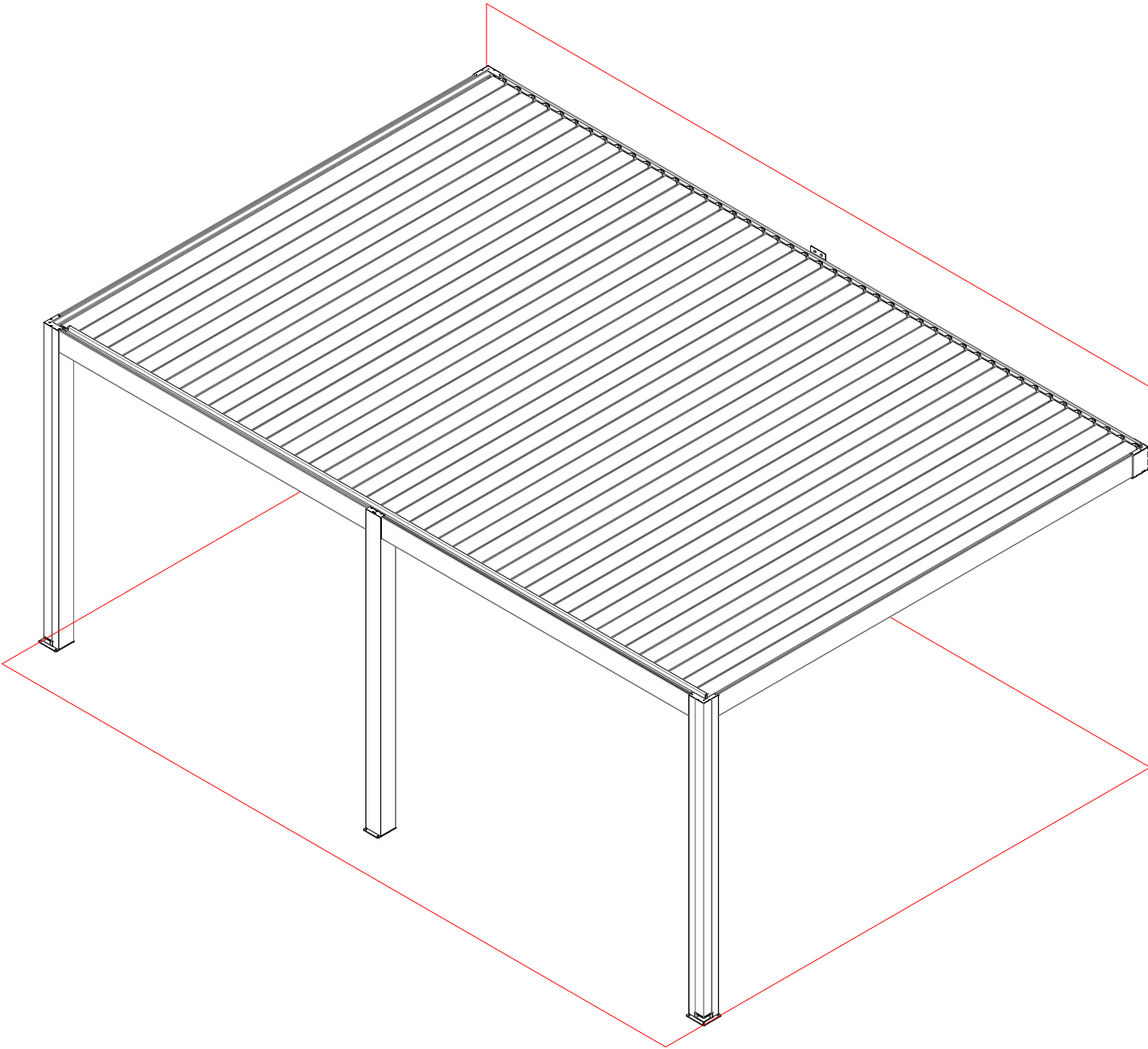
For 4x6 meters systems : 12 pcs

# Ecoclimatic Second Step : Preparing Blades

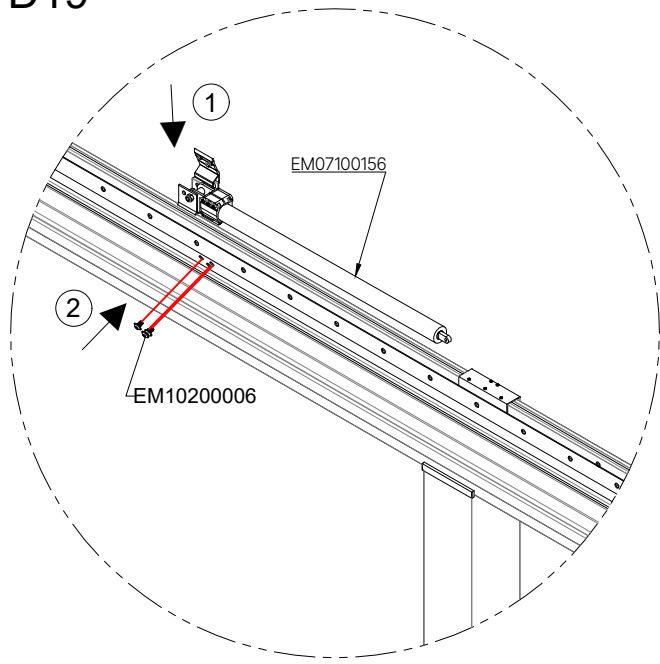




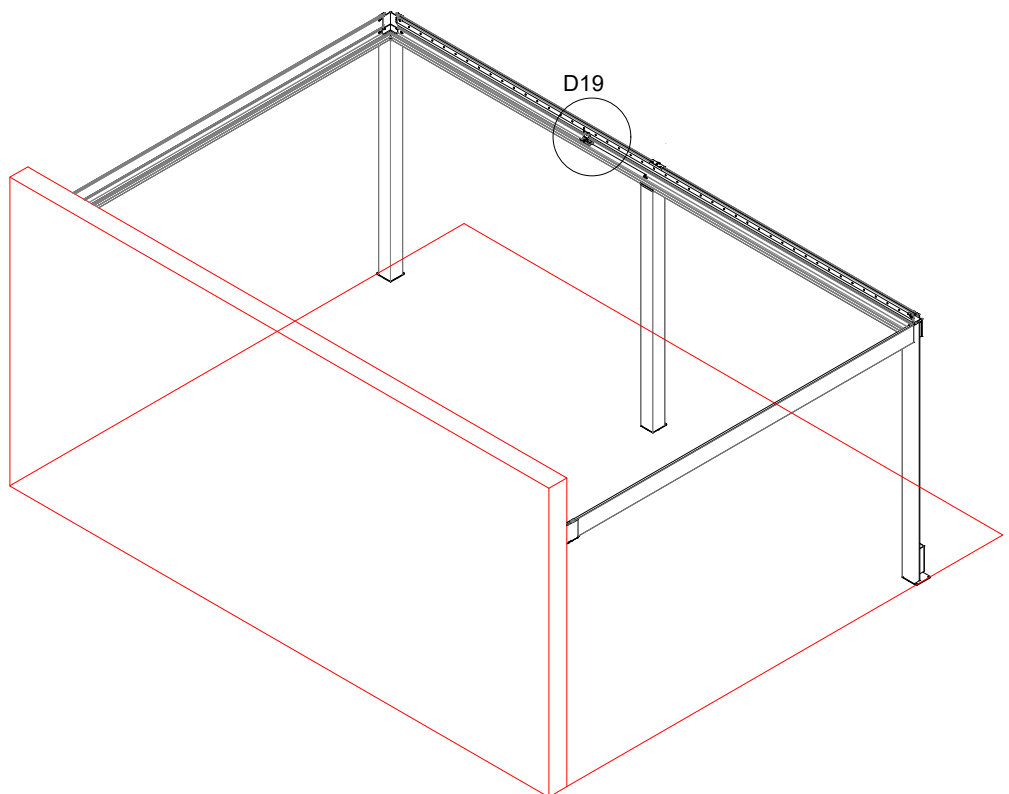
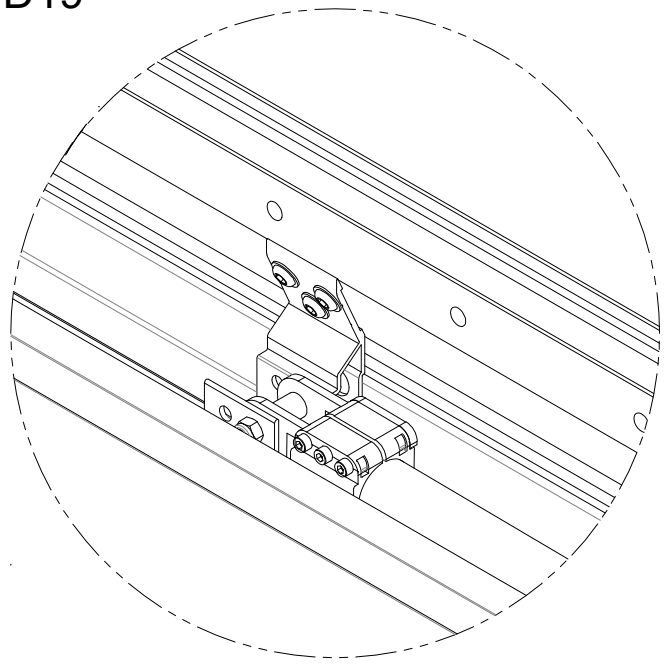
# Ecoclimatic Second Step : Mounting Roof



D19

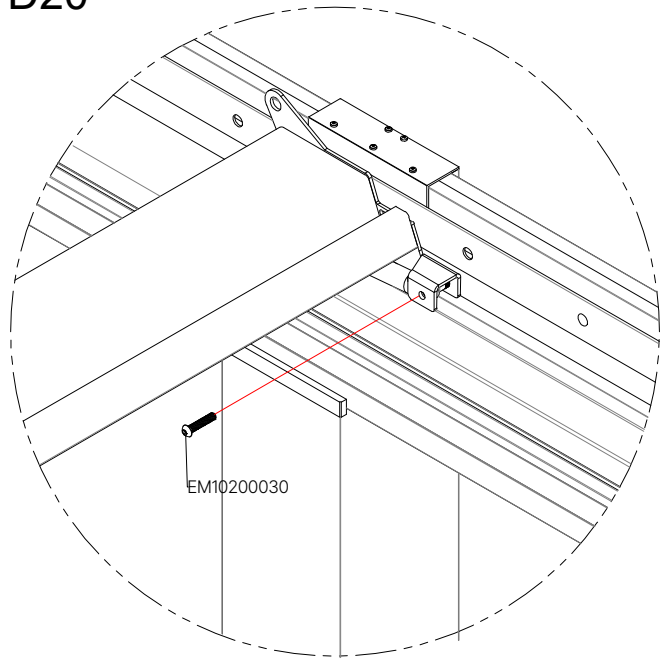


D19

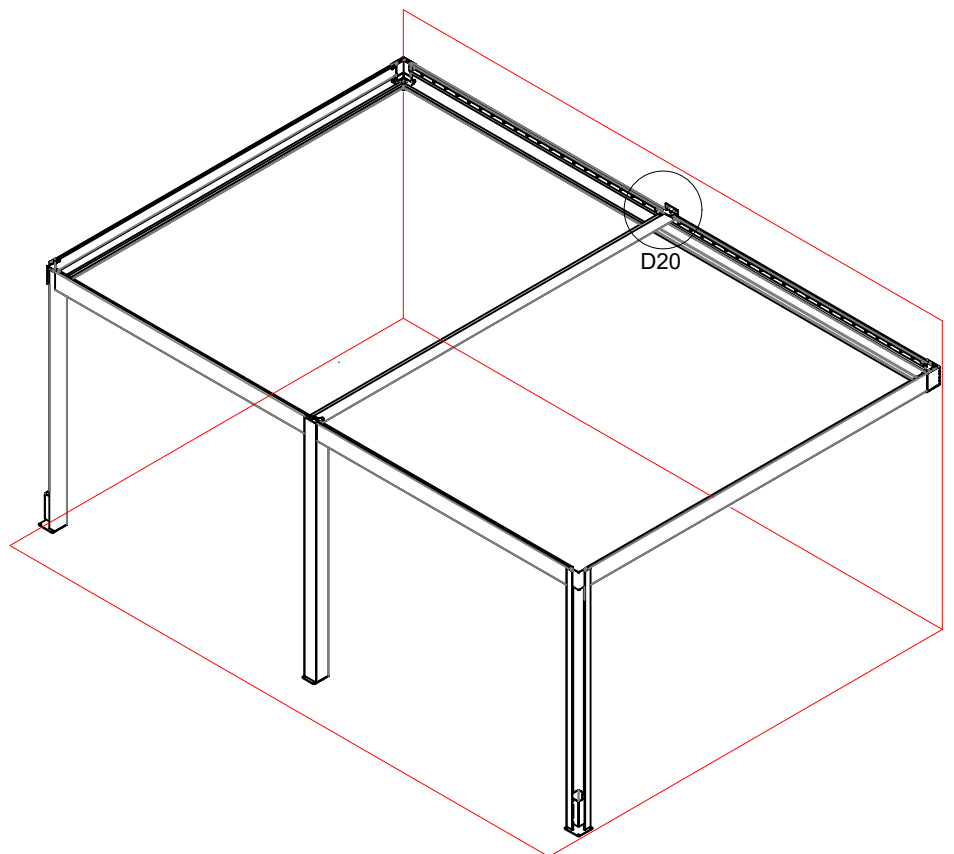
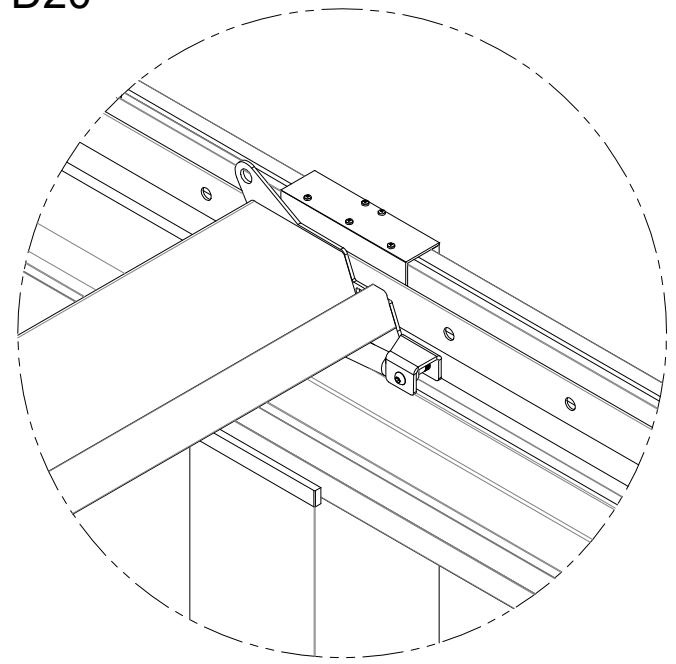


The EM07100156 coded motor is placed and screwed into the 3 holes drilled on the D1 coded profile.

D20

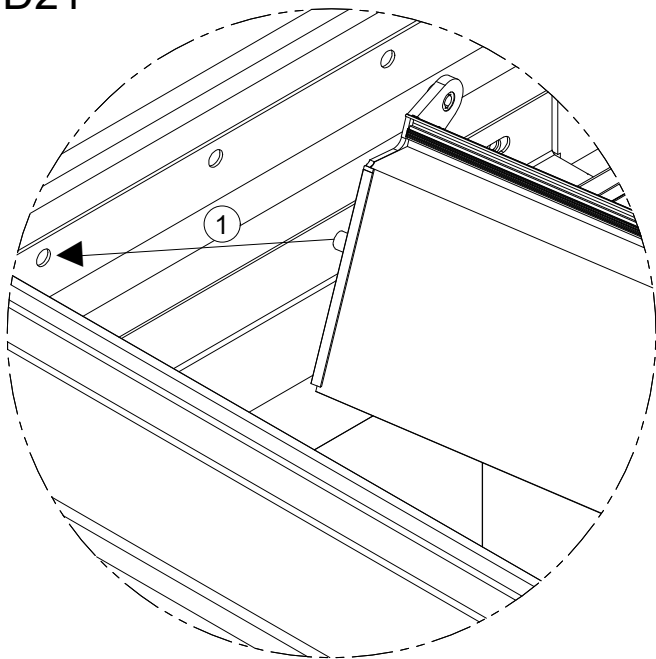


D20

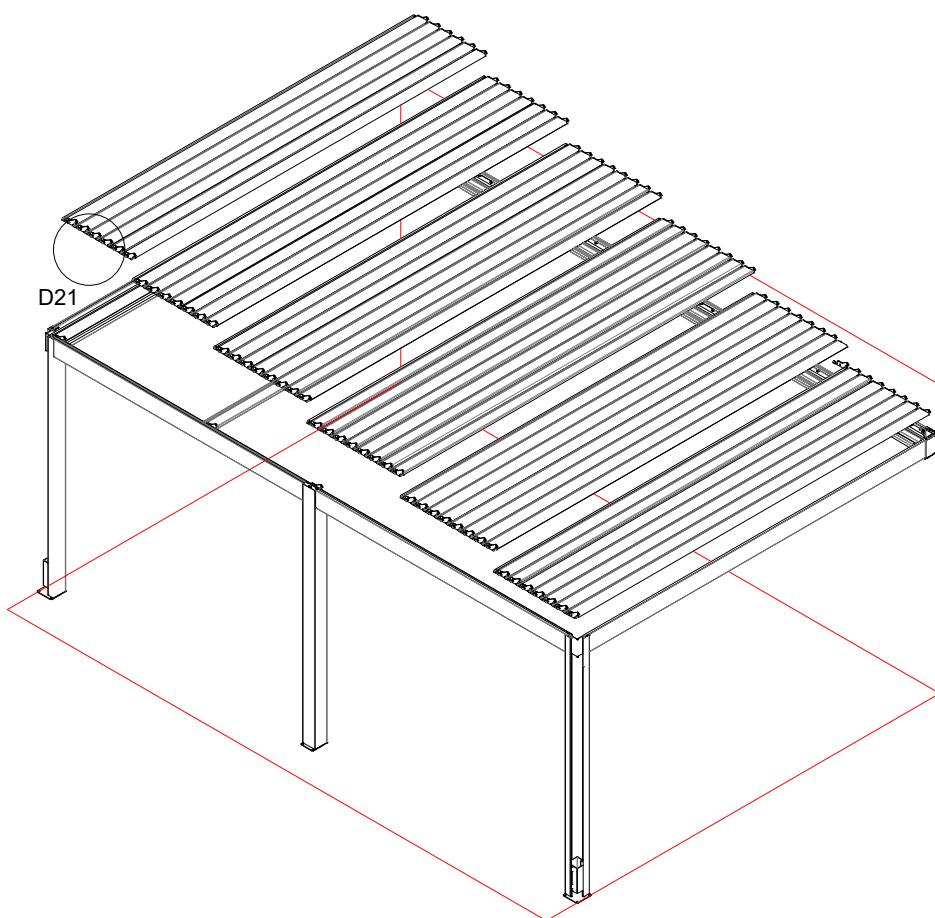
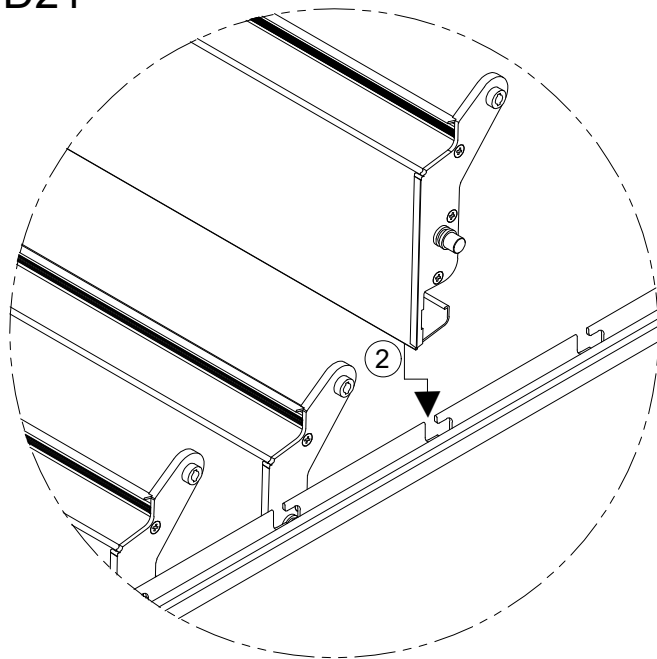


The blade on the motor side is attached at the outermost corner of the motor with code EM07100156 using the screw with code EM10200030.

D21

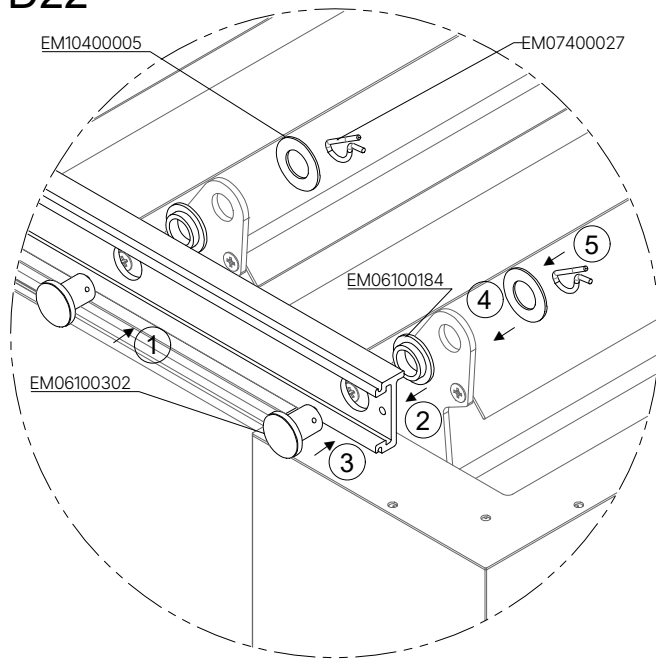


D21

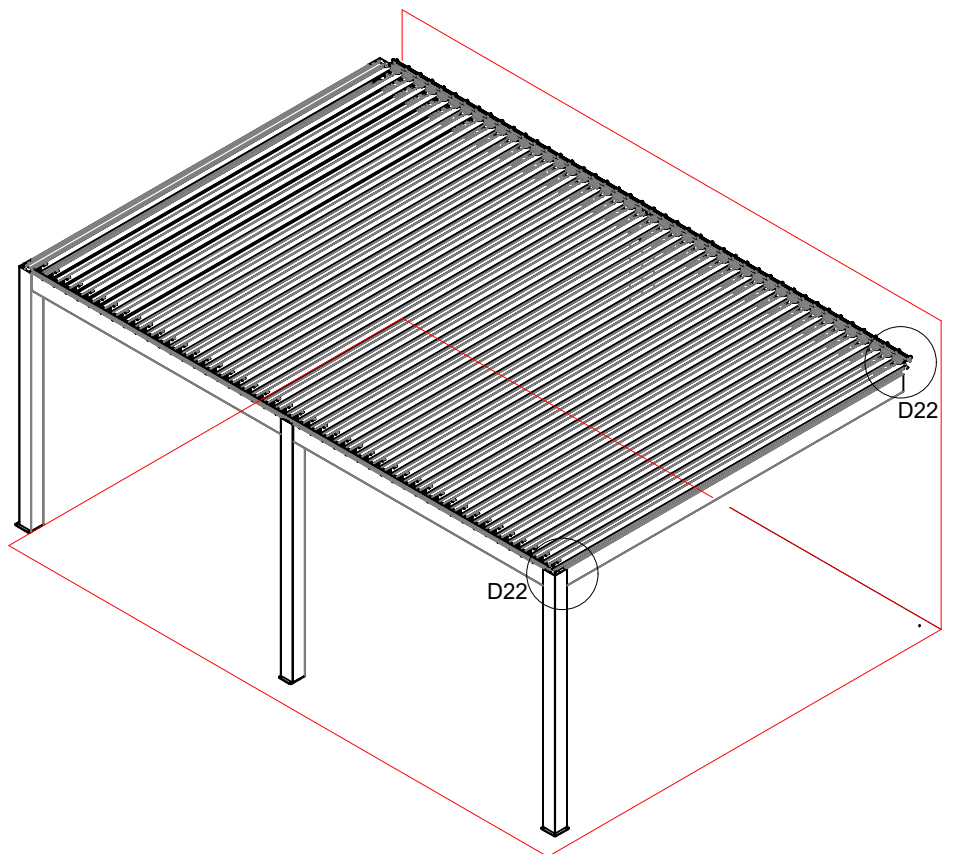
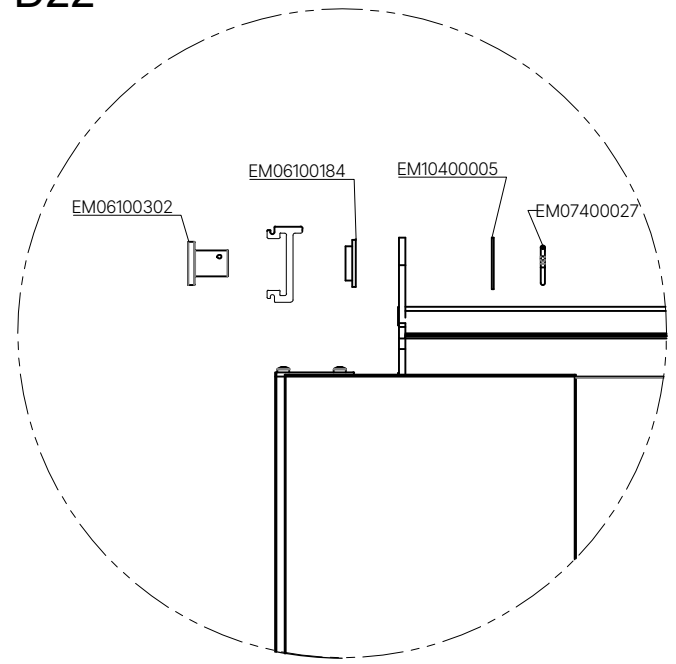


Other previously prepared blades are attached to the channels sequentially as shown above.

D22

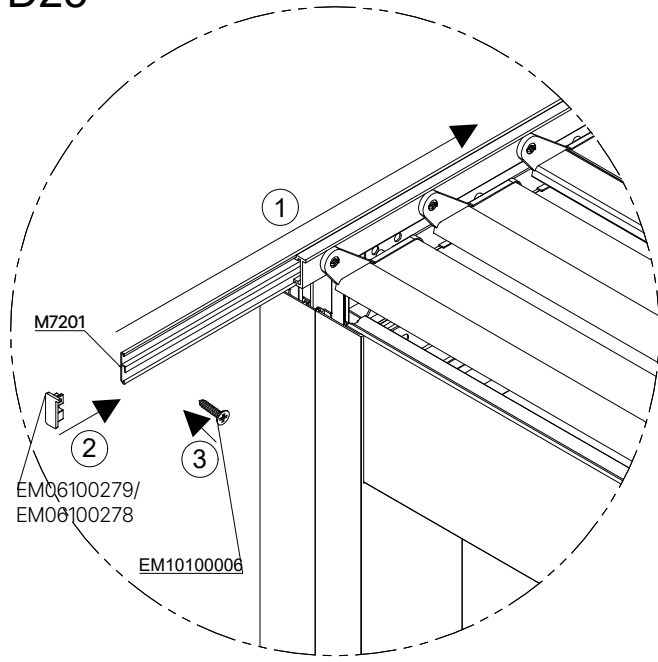


D22

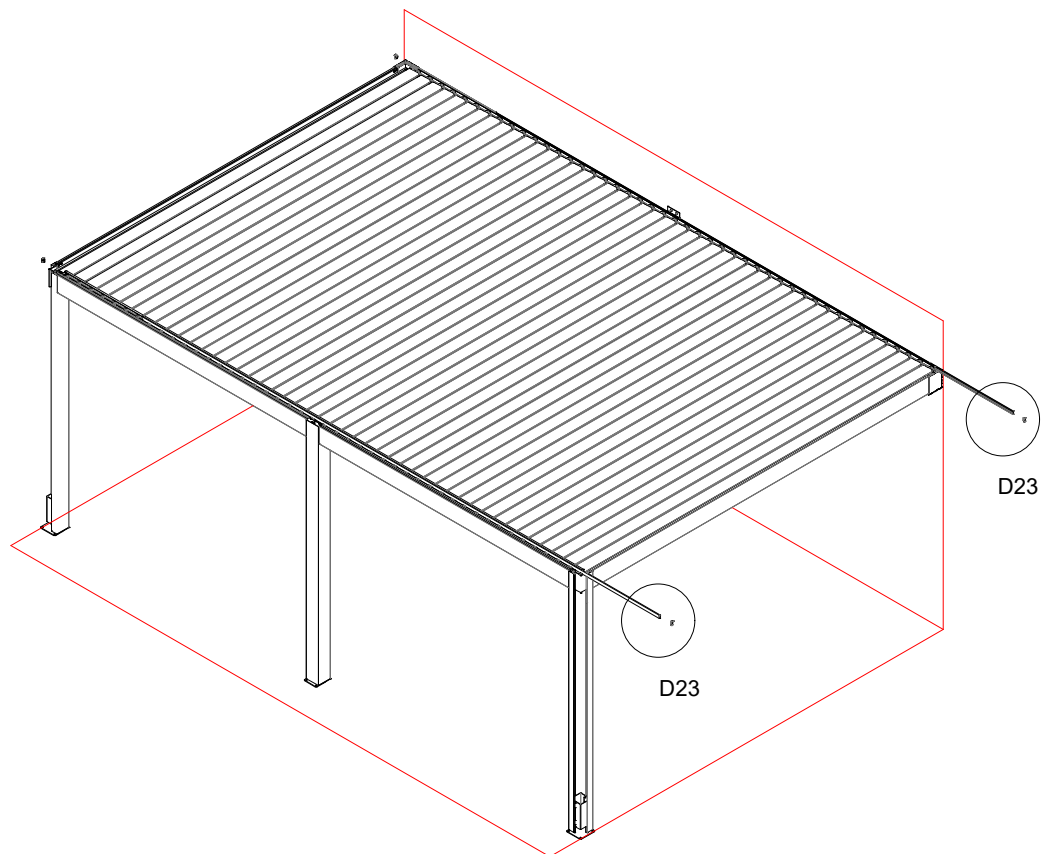
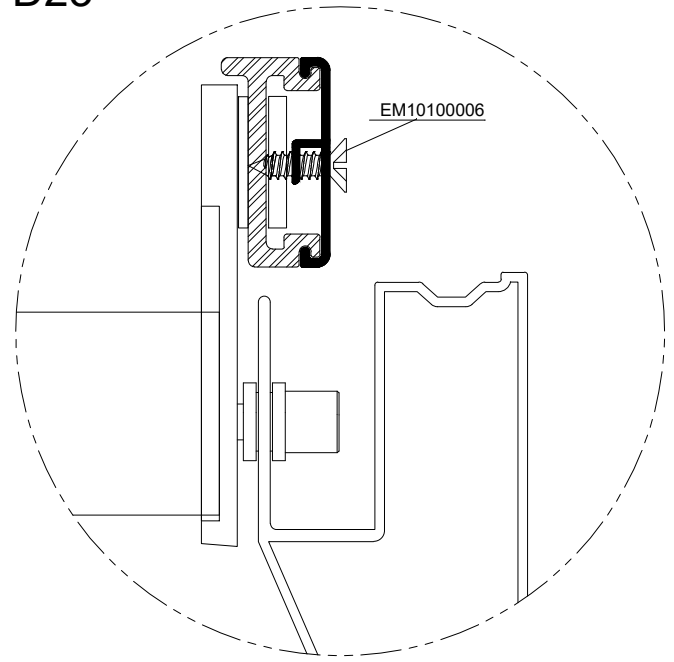


The accessory with code EM06100184 is attached to the profile with code M7031. Then, the accessories with codes EM10400005 and EM07400027 are attached in sequence.

D23

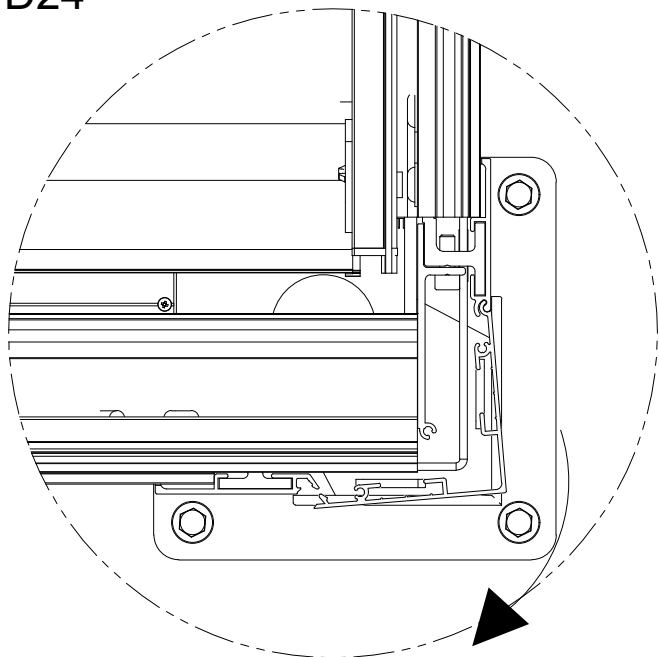


D23

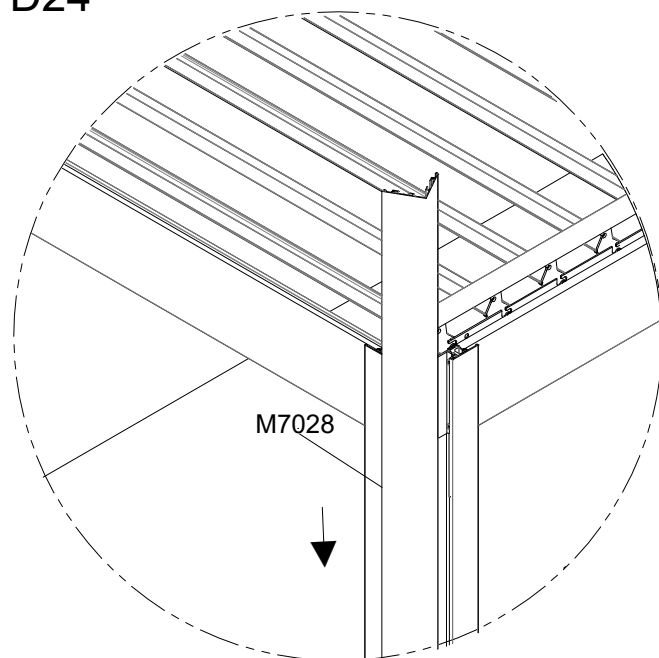


The cover profiles of the joint arm (M7201) are inserted. The plastic covers to be used on the front and back are fixed by screwing after they are installed.

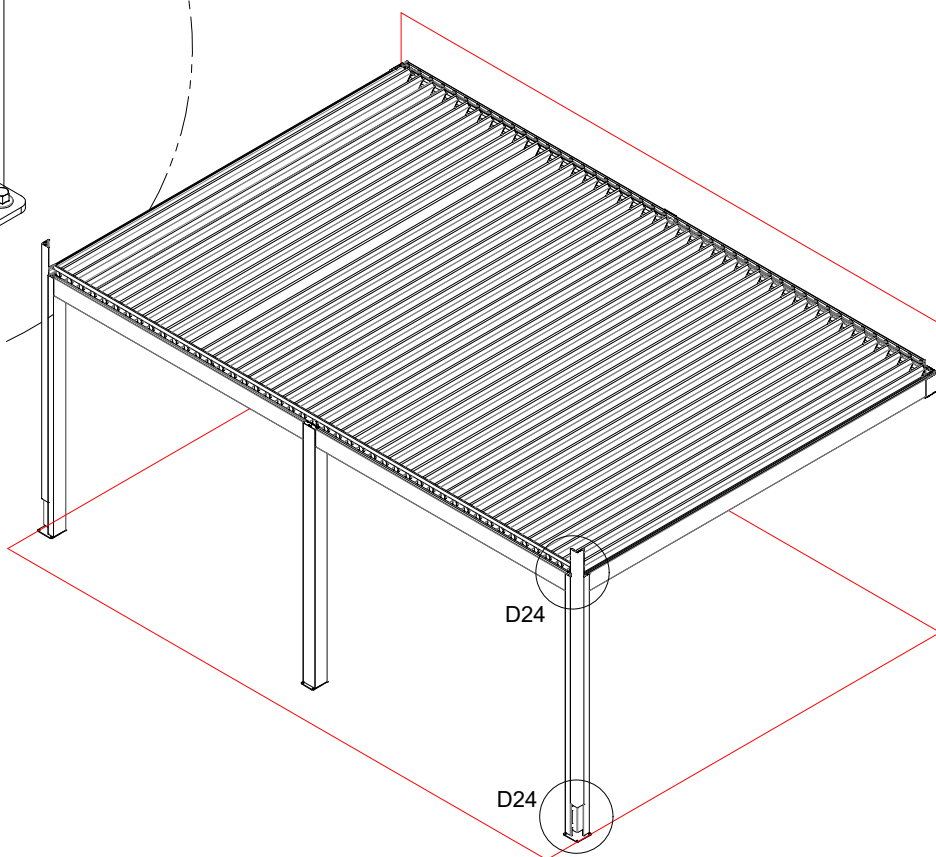
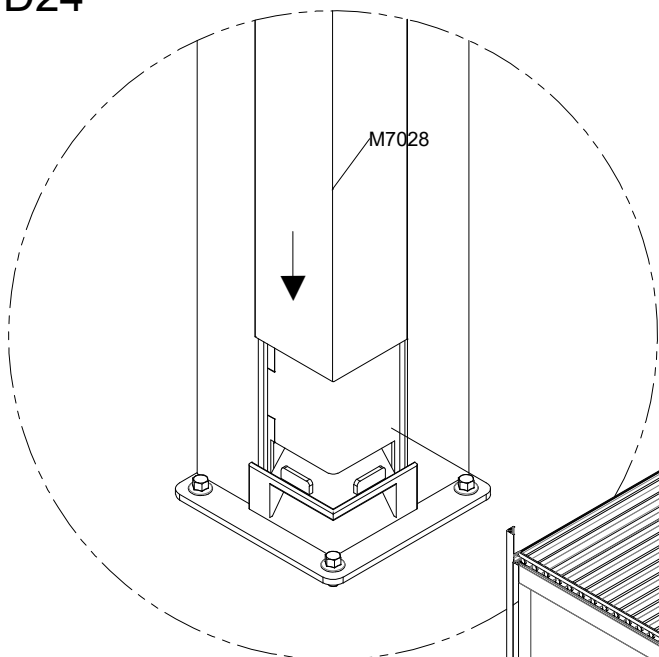
D24



D24

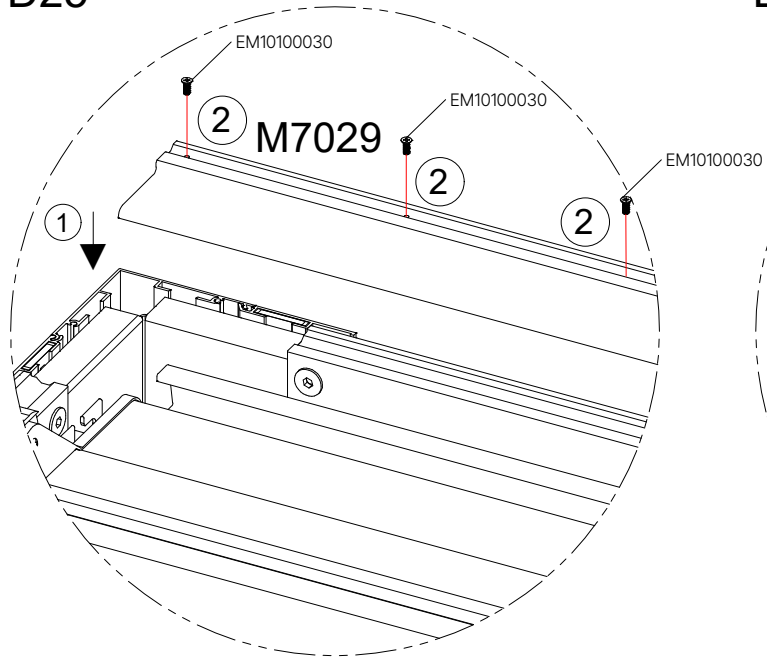


D24

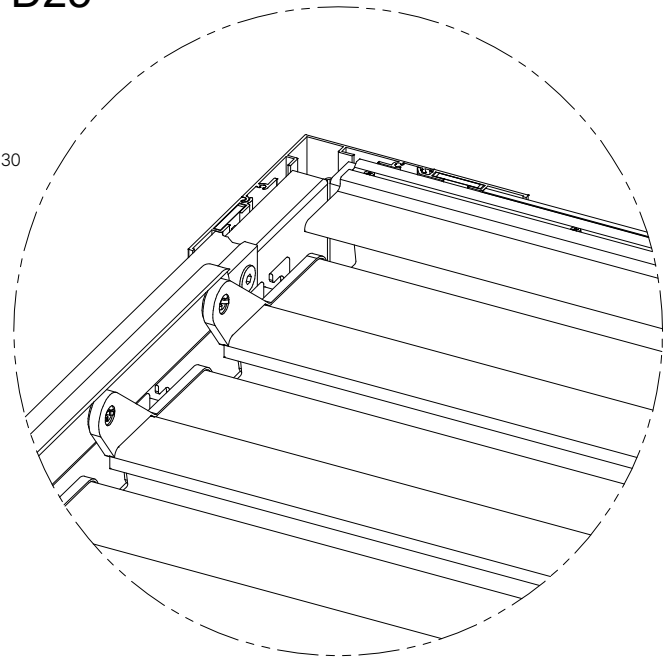


The pillar covers (M7028) on the front of the system are placed on the tabs and installed from top to bottom.

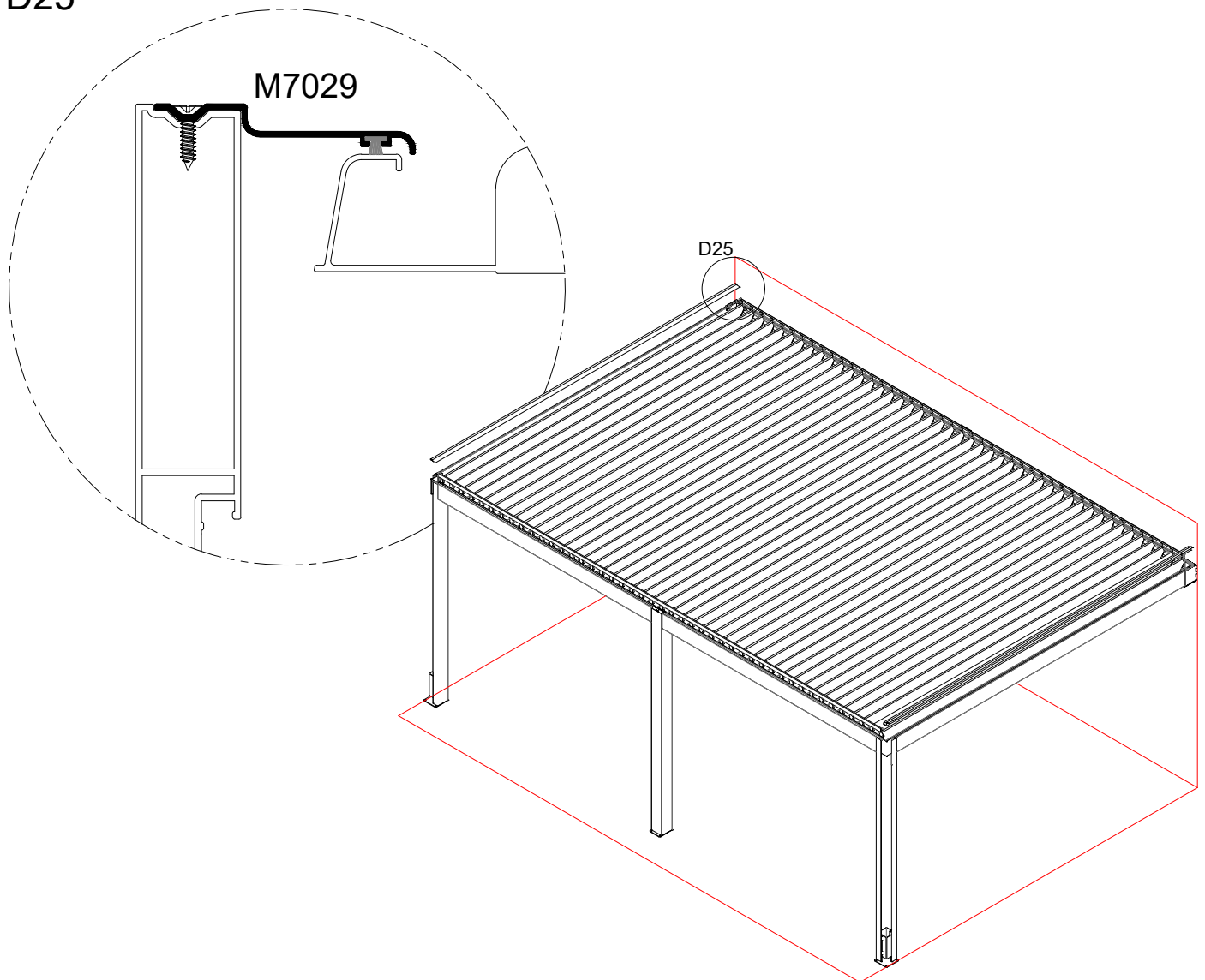
D25



D25

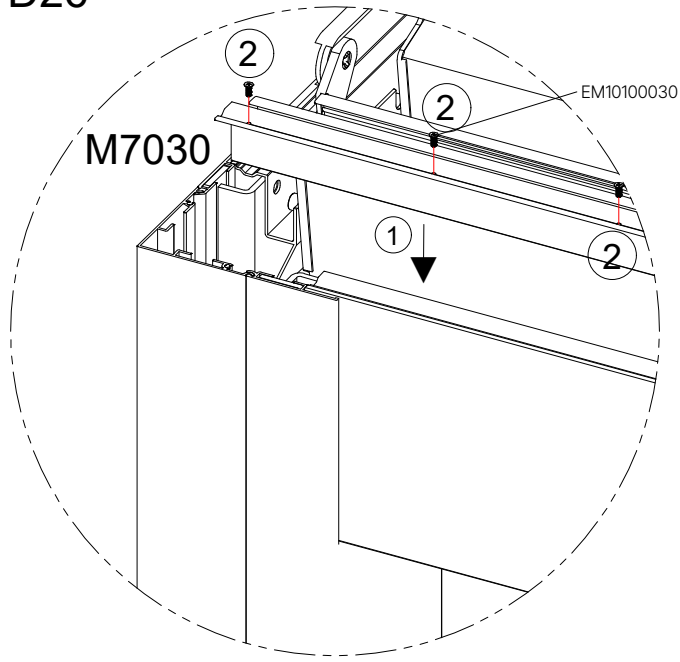


D25

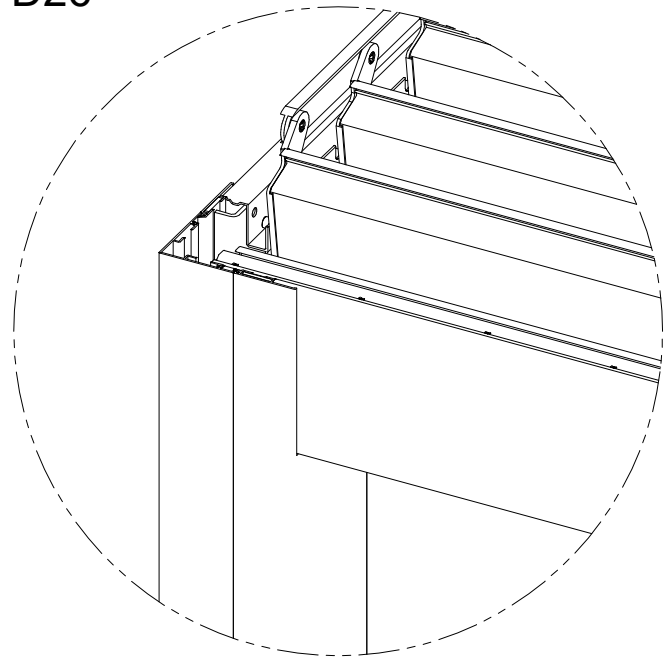


The rear cover profile is installed and screwed as shown above.

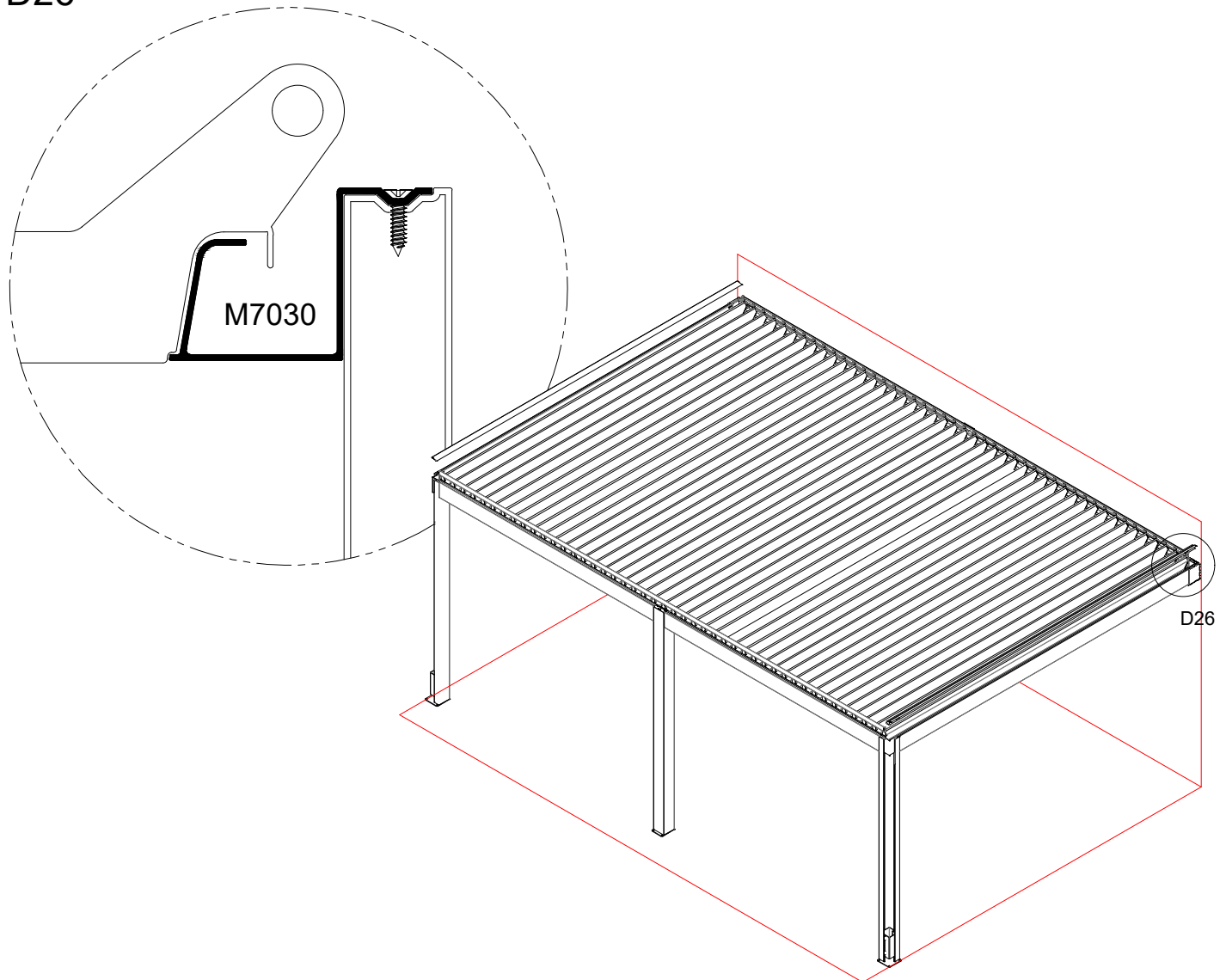
D26



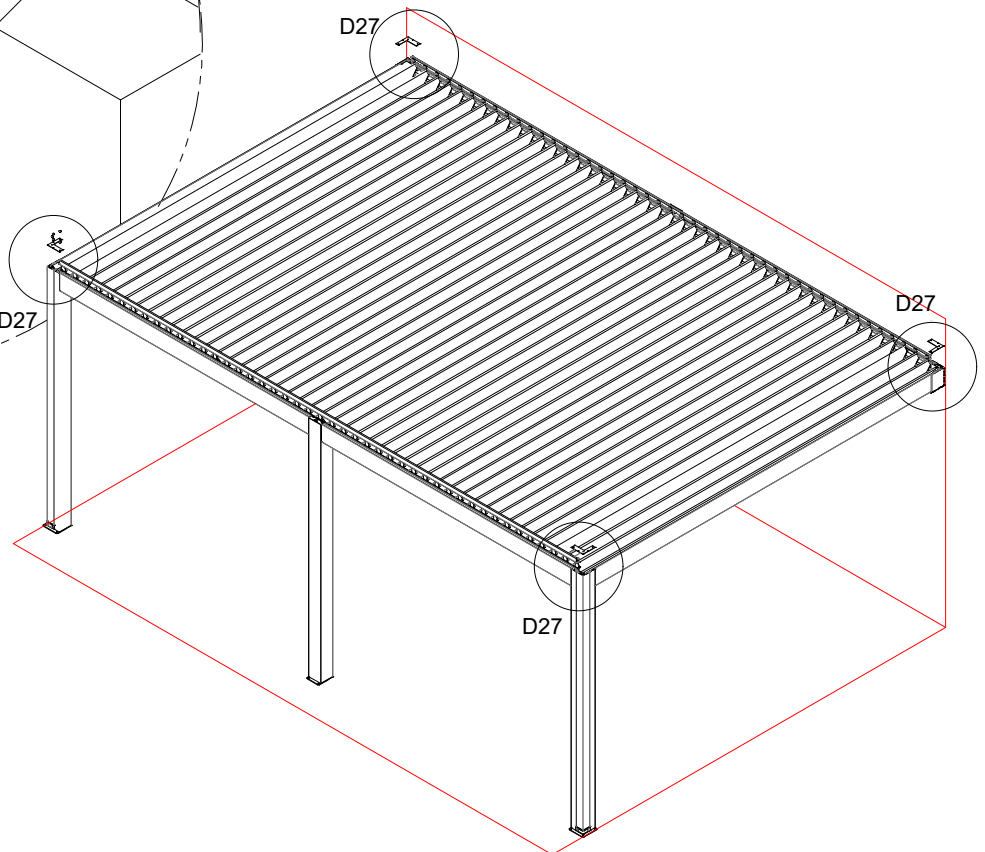
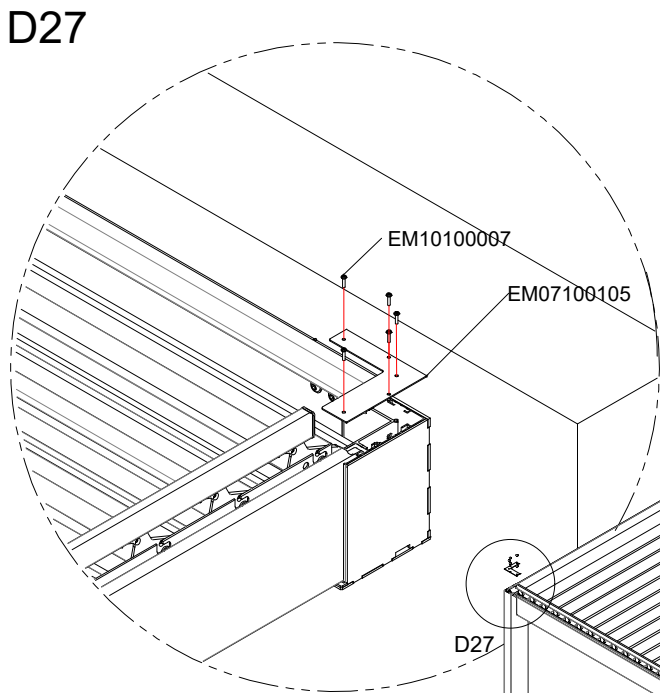
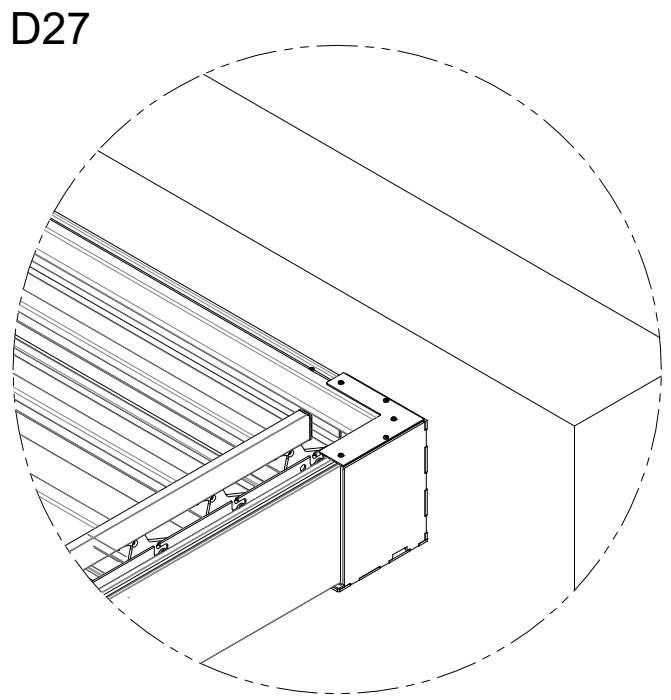
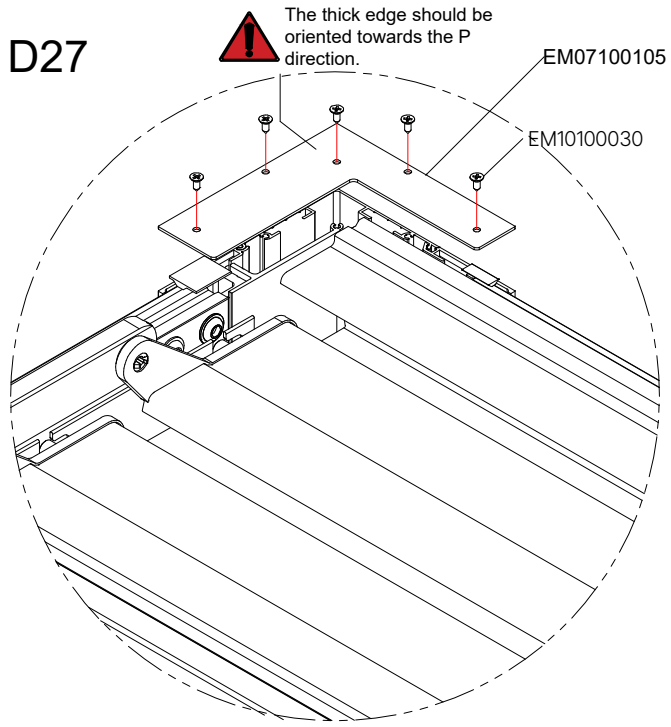
D26



D26



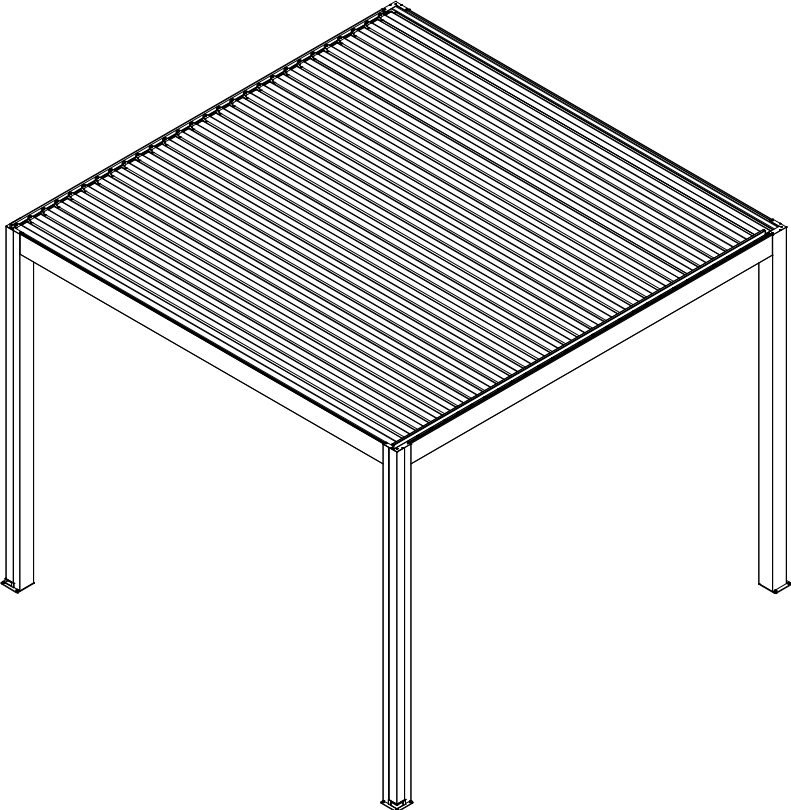
The rear cover profile is installed and screwed as shown above.



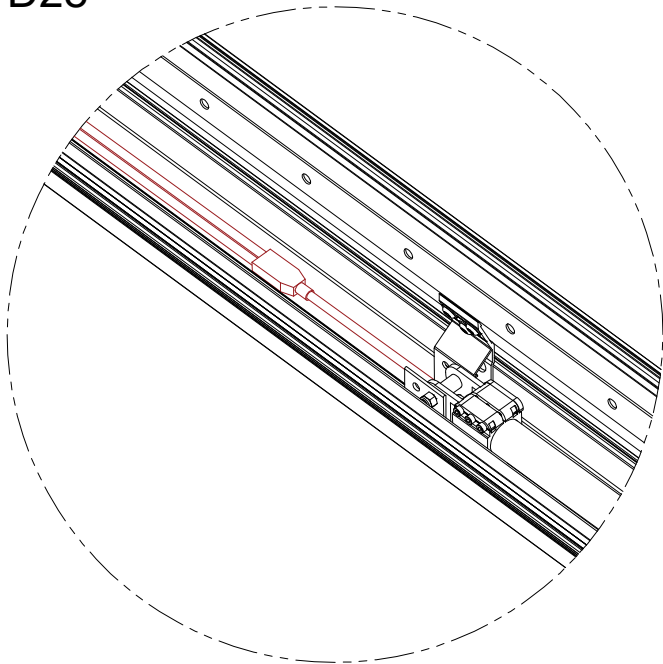
Corner covering plates are installed and screwed as above. The system is completed.

# Chapter 1 : Led and Motor Cable Installation

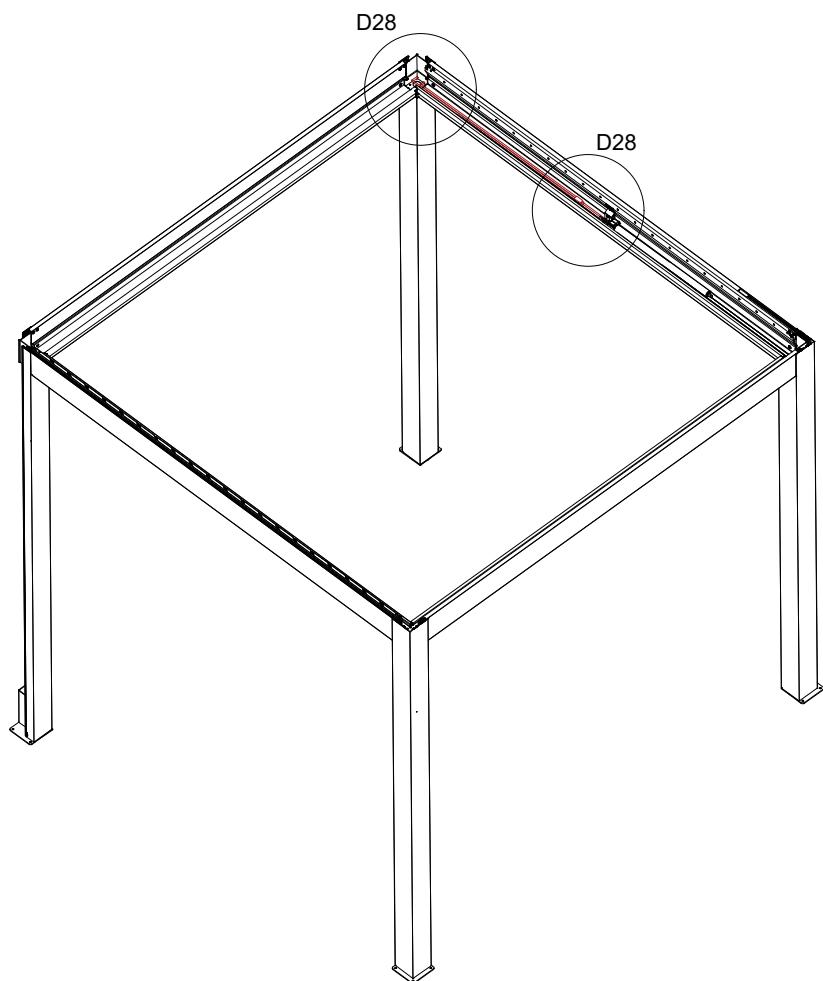
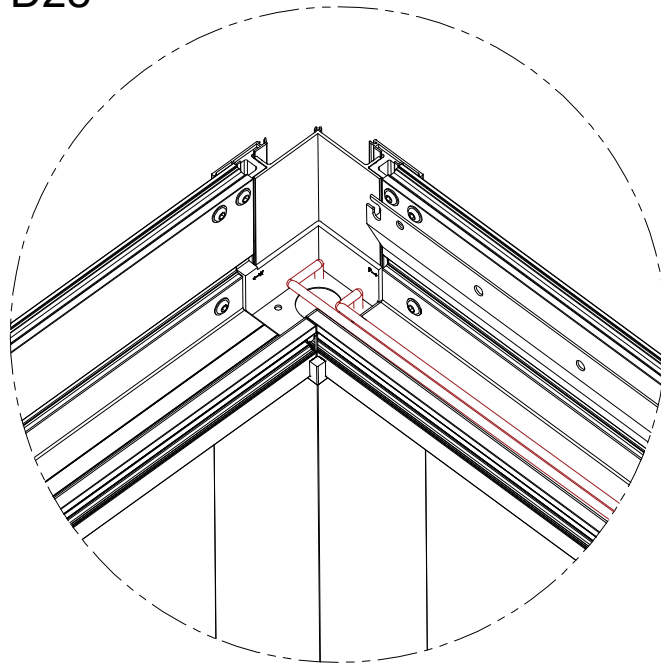
---



D28

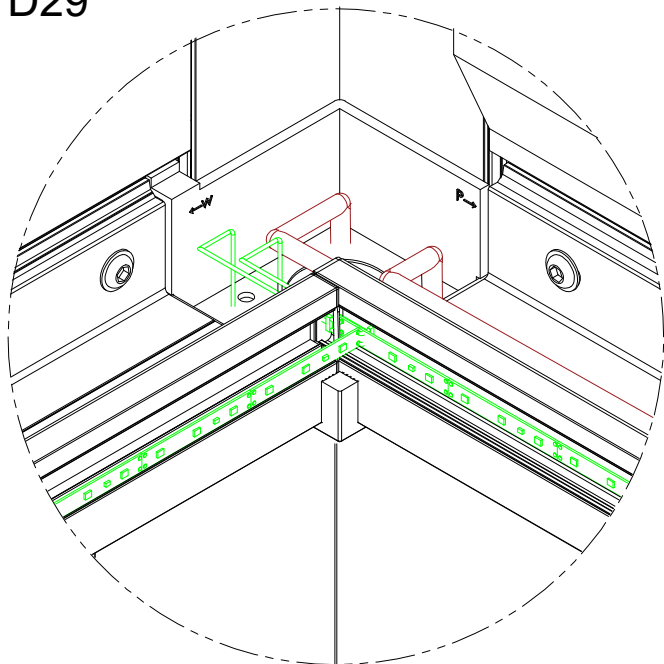


D28

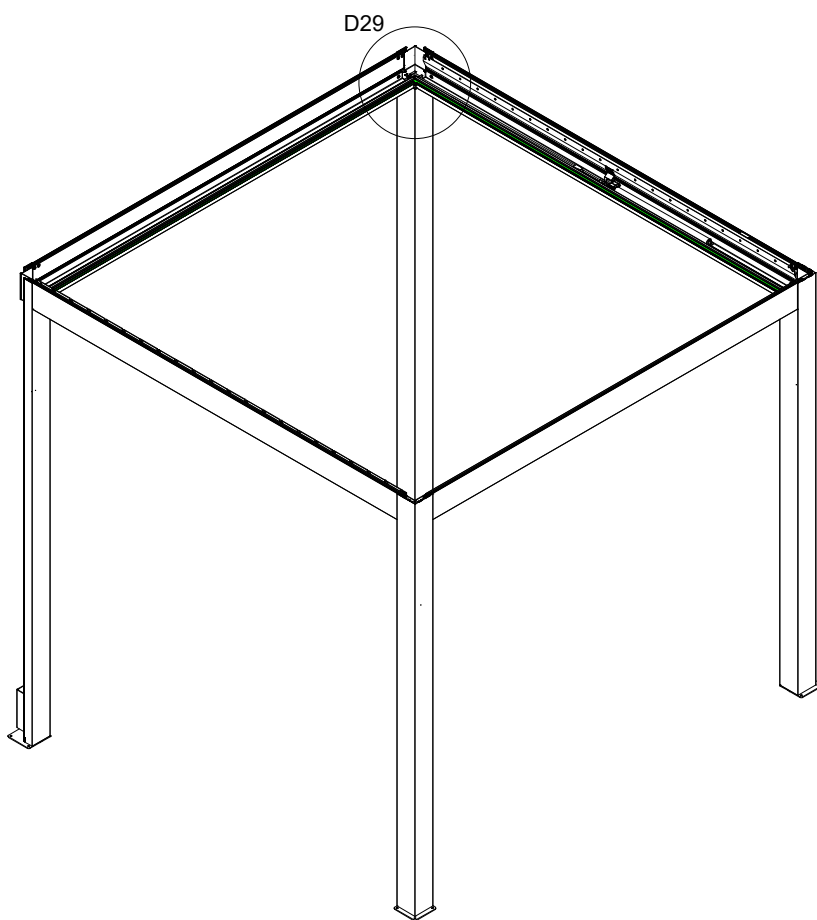
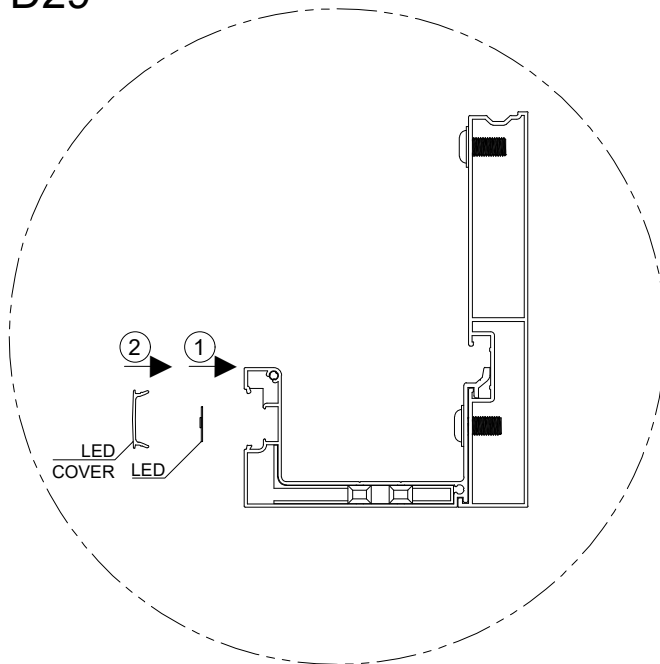


Two cables exiting from the motor are suspended down into the pillar through the designated cable exit points, inside the covered pillar.

D29

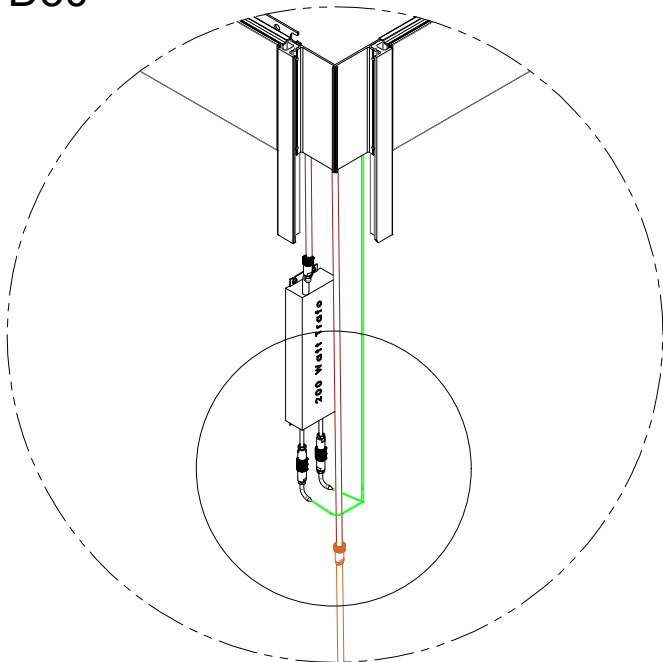


D29

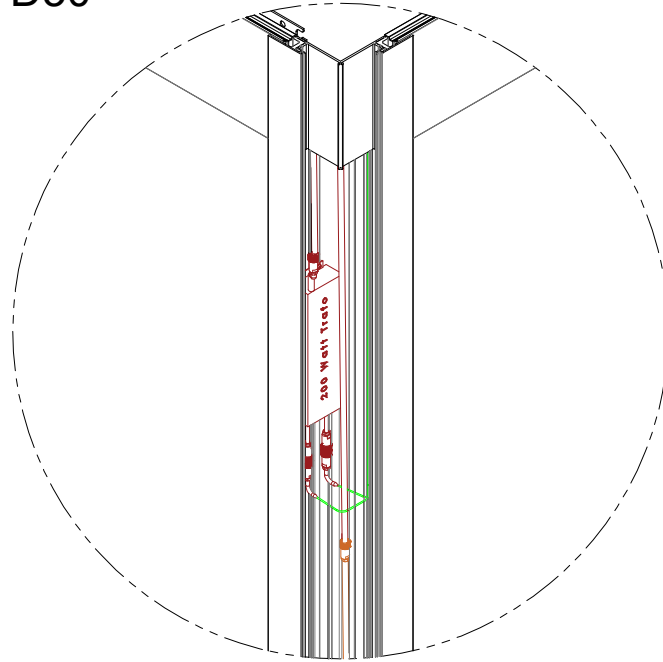


The LED application starts from the corner where the motor cables are connected and continues along the entire frame. The two cables belonging to the LED are suspended down from the single designated exit point on the seal. After the LED is installed, a PVC cover is placed over it.

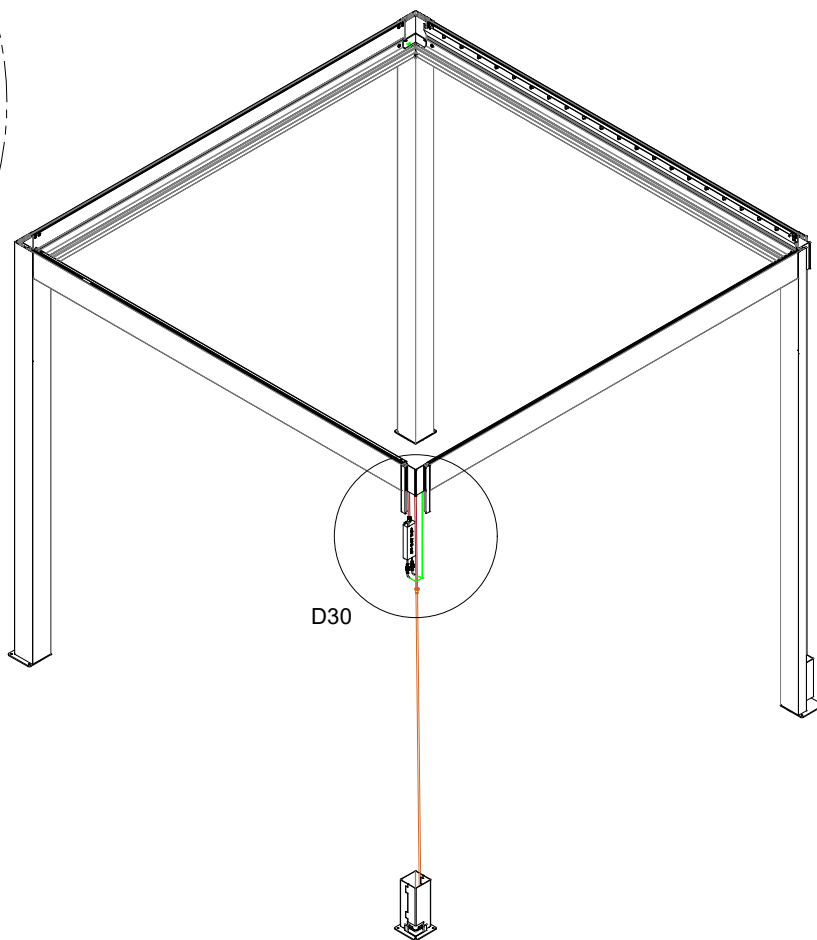
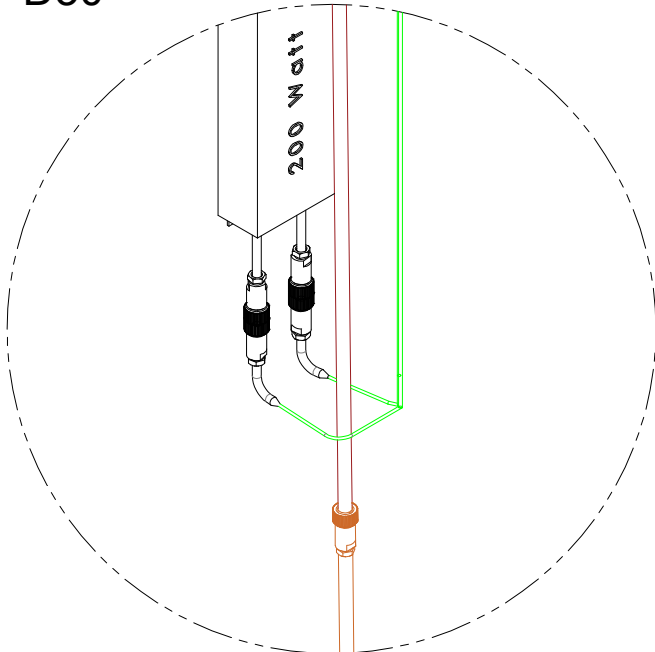
D30



D30



D30



The AC220V cable from the motor is connected to the mains line via a connector. The other cable is connected to the input section of the converter. The two cables from the LED are separately connected to the connectors on the output section of the converter.

# Chapter 2 : Electrical Wiring

