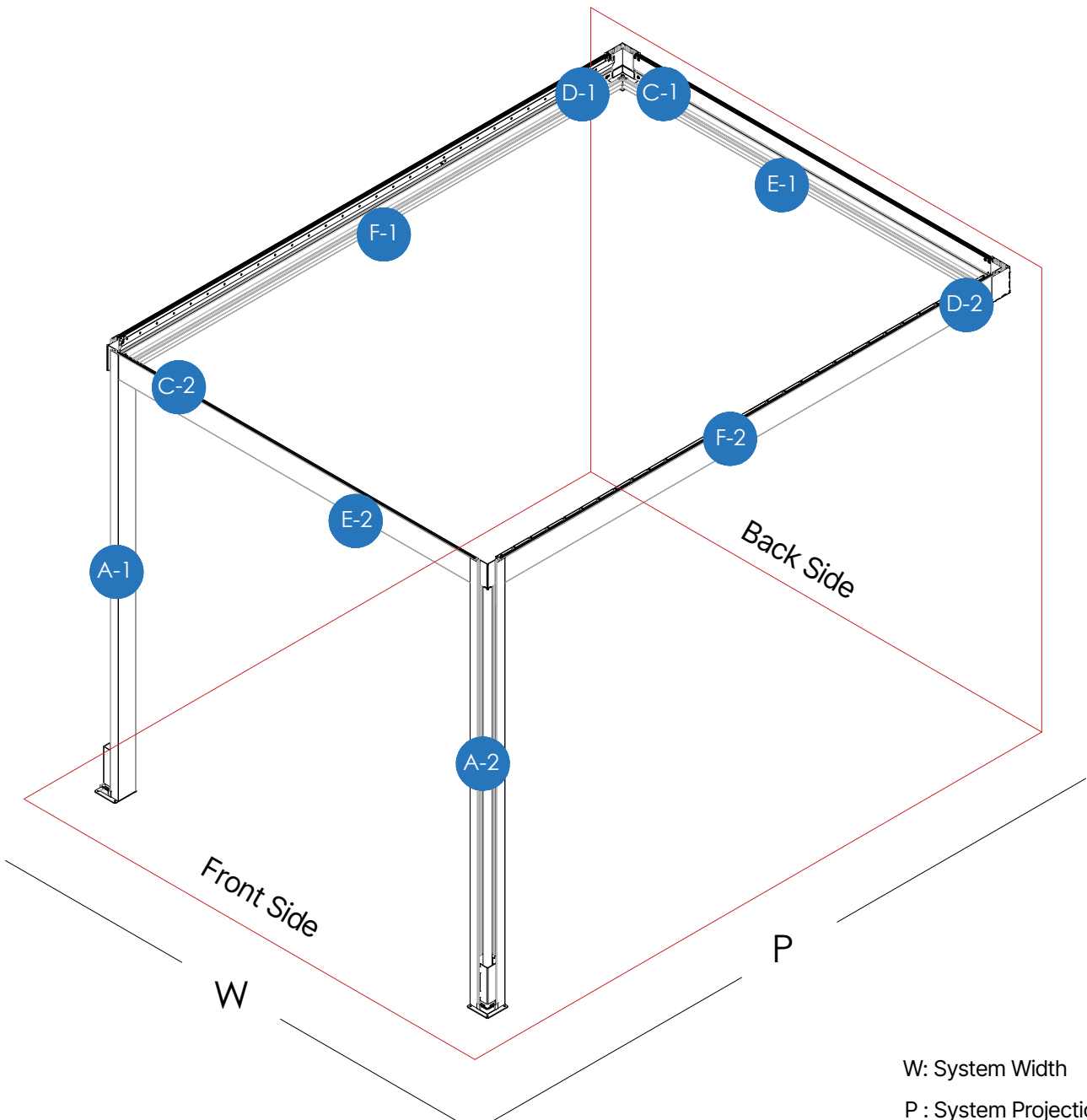
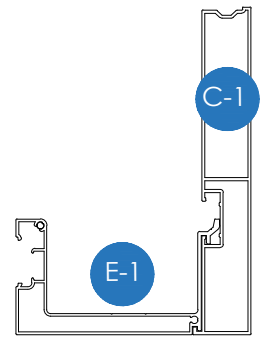
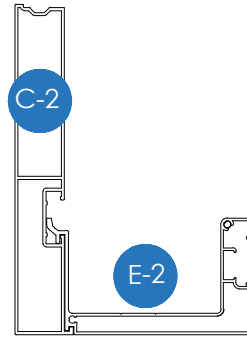
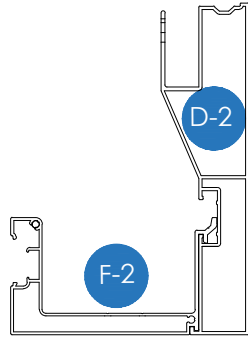
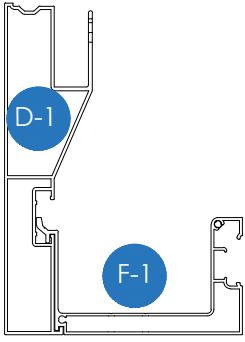


**EGHUUN****Pergola Piano**

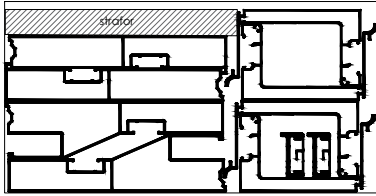


# Contents

Box Contents for 3x3 System .....	1
Box Contents for 3x4 System .....	2
Box Contents for 3x5 System .....	3
Necessary Tools for The Ecoclimatic System .....	4
Ecoclimatic Profiles For First Step .....	5
Ecoclimatic Accessories For First Step.....	6-9
Ecoclimatic First Step : Making Frame .....	10-22
Ecoclimatic Profiles For Second Step .....	23
Ecoclimatic Accessories For Second Step.....	24-28
Ecoclimatic Second Step : Preparing Blades .....	29
Ecoclimatic Second Step : Preparing Motor Blades .....	30
Ecoclimatic Second Step : Mounting Roof .....	31-43
Optional Locking Section.....	44

# Box Contents for 3x3 System

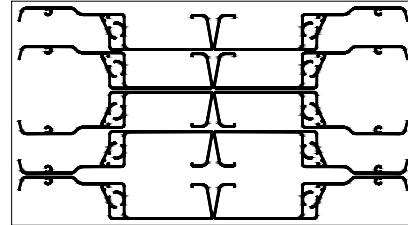
G1



M7034 (C1-C2) x2  
 M7033 (E1-E2-F1-F2) x4  
 M7035 (D1-D2) x2  
 M7031 x2 M7201 x2

1x

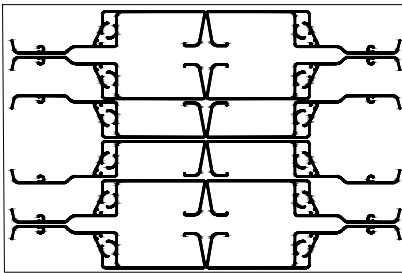
B1



M7253 x10

1x

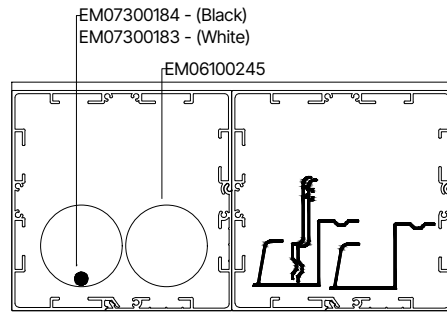
B2



M7253 x12

1x

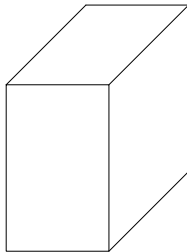
V3



M7037 (A1-A2) x2  
 M7028 (A1-A2) x2  
 Reducer x1  
 EM06100245 x2  
 M7030 x2  
 M7029 x2

1x

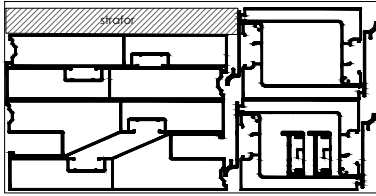
H5



1x

# Box Contents for 3x4 System

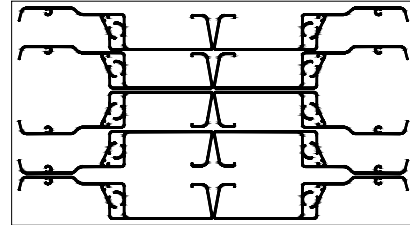
G2



M7034 (C1-C2) x2  
 M7033 (E1-E2-F1-F2) x4  
 M7035 (D1-D2) x2  
 M7031x2 M7201 x2

1x

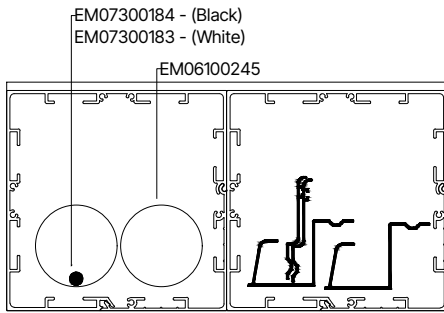
B1



M7253 x10

3x

V3



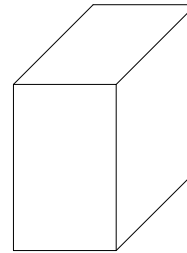
EM07300184 - (Black)  
 EM07300183 - (White)  
 EM06100245

M7037 (A1-A2) x2  
 M7028 (A1-A2) x2  
 Reducer x1  
 EM06100245 x2

M7030 x2  
 M7029 x2

1x

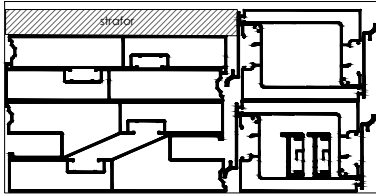
H6



1x

# Box Contents for 3x5 System

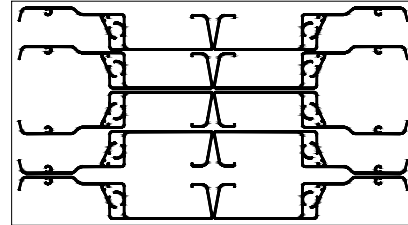
G3



M7034 (C1-C2) x2  
 M7033 (E1-E2-F1-F2) x4  
 M7035 (D1-D2) x2  
 M7031 x2 M7201 x2

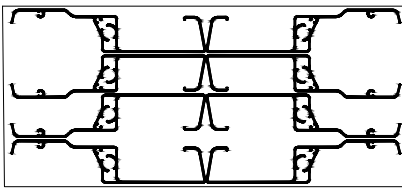
1x

B1



3x

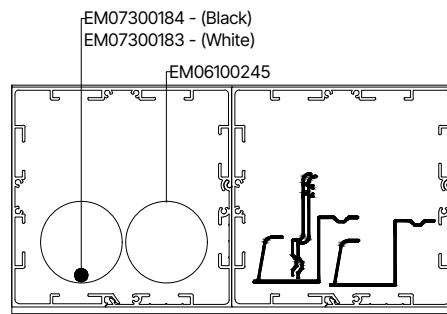
B3



M7253 x8

1x

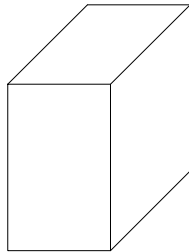
V3



M7037 (A1-A2) x2  
 M7028 (A1-A2) x2  
 Reducer x1  
 EM06100245 x2  
 M7030 x2  
 M7029 x2

1x

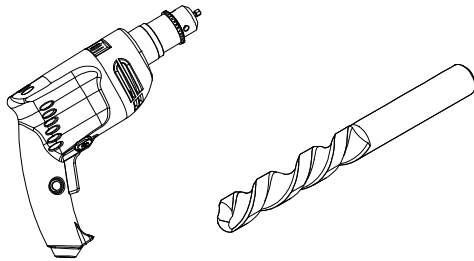
H7



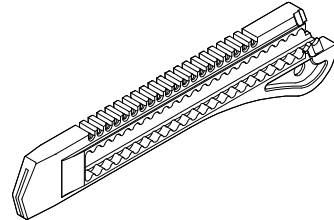
1x

# Necessary Tools for The Ecoclimatic System

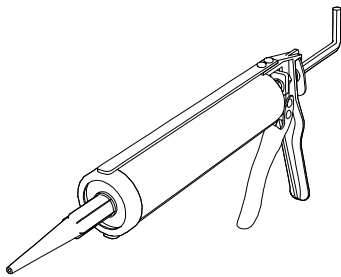
Cordless Drill & Drilling Bit (8 mm)



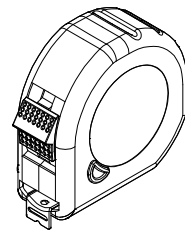
Carpet Knife



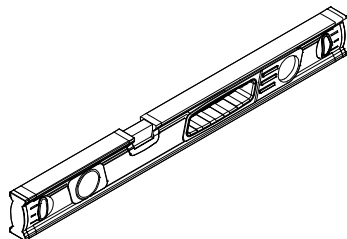
Silicon Gun



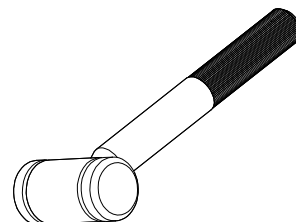
Tape Measure



Water Level

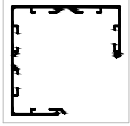


Knob

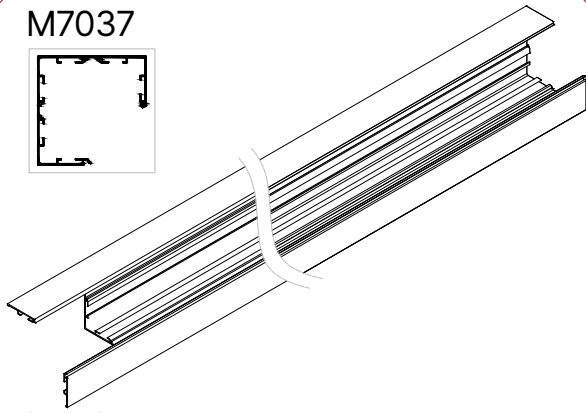


# Ecoclimatic Profiles For First Step

M7037

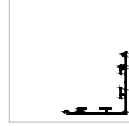


A-1 A-2

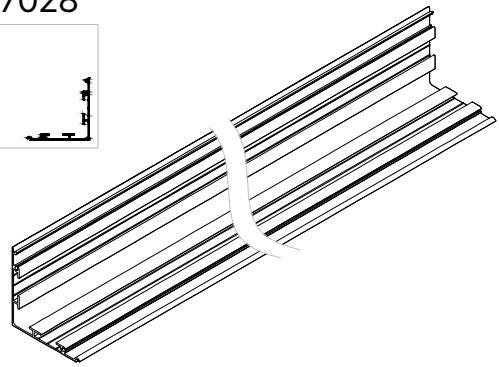


For 3x3 meters systems : 2 pcs  
For 3x4 meters systems : 2 pcs  
For 3x5 meters systems : 2 pcs

M7028



A-1 A-2

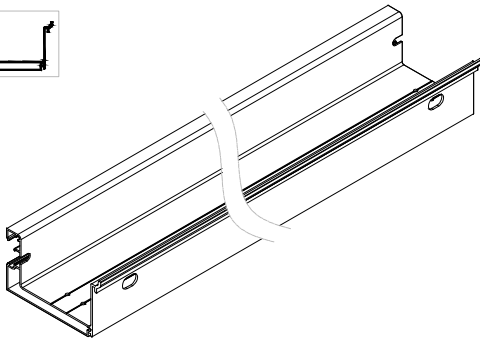


For 3x3 meters systems : 2 pcs  
For 3x4 meters systems : 2 pcs  
For 3x5 meters systems : 2 pcs

M7033



E-1 E-2 F-1 F-2

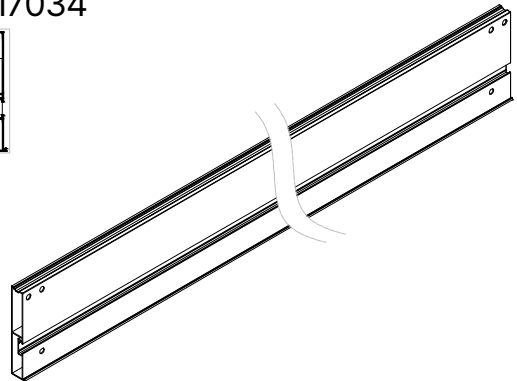


For 3x3 meters systems : 4 pcs  
For 3x4 meters systems : 4 pcs  
For 3x5 meters systems : 4 pcs

M7034



C-1 C-2

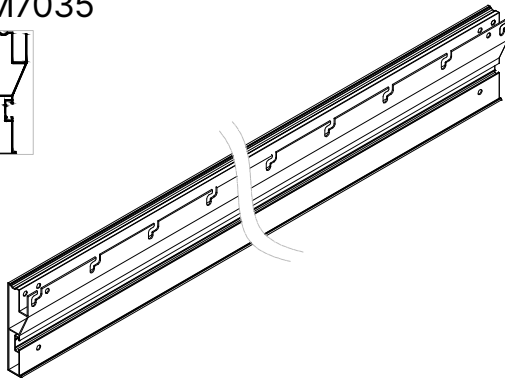


For 3x3 meters systems : 2 pcs  
For 3x4 meters systems : 2 pcs  
For 3x5 meters systems : 2 pcs

M7035



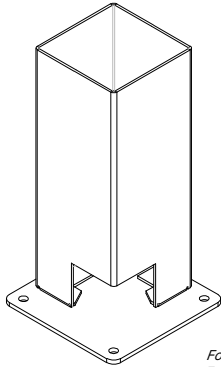
D-1 D-2



For 3x3 meters systems : 2 pcs  
For 3x4 meters systems : 2 pcs  
For 3x5 meters systems : 2 pcs

# Ecoclimatic Accessories For First Step

EM07100104

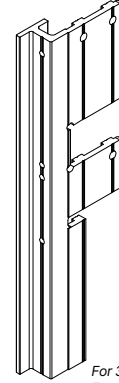


For 3x3 meters systems : 2 pcs  
For 3x4 meters systems : 2 pcs  
For 3x5 meters systems : 2 pcs

EM07200027



This product has a direction

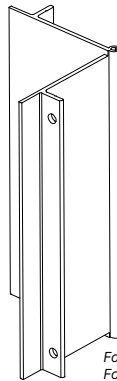


For 3x3 meters systems : 4 pcs  
For 3x4 meters systems : 4 pcs  
For 3x5 meters systems : 4 pcs

EM07200028



This product has a direction

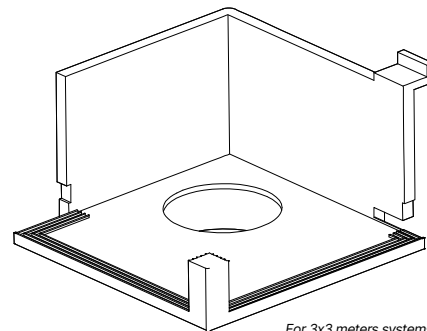


For 3x3 meters systems : 2 pcs  
For 3x4 meters systems : 2 pcs  
For 3x5 meters systems : 2 pcs

EM06100186

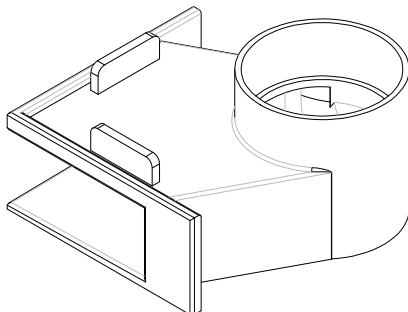


This product has a direction



For 3x3 meters systems : 2 pcs  
For 3x4 meters systems : 2 pcs  
For 3x5 meters systems : 2 pcs

EM06100229 - (Black)  
EM06100295 - (White)



For 3x3 meters systems : 2 pcs  
For 3x4 meters systems : 2 pcs  
For 3x5 meters systems : 2 pcs

EM06100245



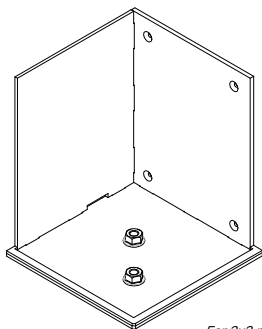
For 3x3 meters systems : 2 pcs  
For 3x4 meters systems : 2 pcs  
For 3x5 meters systems : 2 pcs

# Ecoclimatic Accessories For First Step

EM07300204

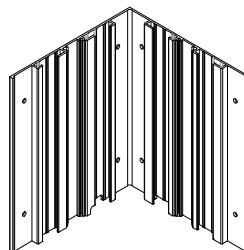


*This product has a direction*



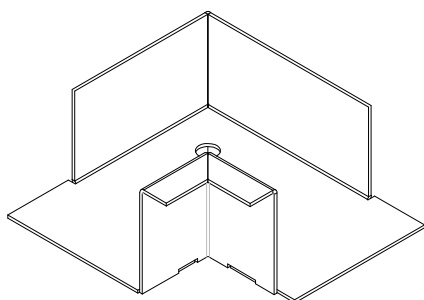
For 3x3 meters systems : 2 pcs  
For 3x4 meters systems : 2 pcs  
For 3x5 meters systems : 2 pcs

EM07300206



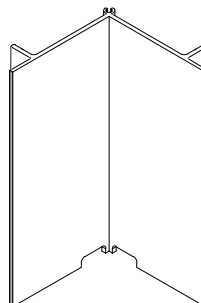
For 3x3 meters systems : 2 pcs  
For 3x4 meters systems : 2 pcs  
For 3x5 meters systems : 2 pcs

EM07300205



For 3x3 meters systems : 2 pcs  
For 3x4 meters systems : 2 pcs  
For 3x5 meters systems : 2 pcs

EM07200072

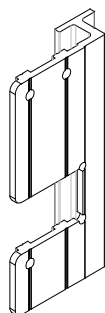


For 3x3 meters systems : 2 pcs  
For 3x4 meters systems : 2 pcs  
For 3x5 meters systems : 2 pcs

EM07200071



*This product has a direction*

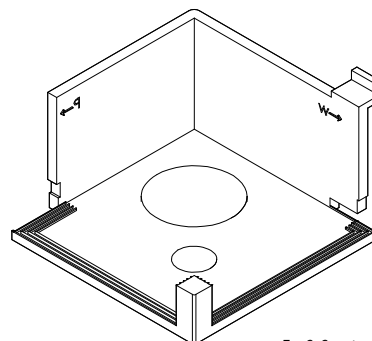


For 3x3 meters systems : 4 pcs  
For 3x4 meters systems : 4 pcs  
For 3x5 meters systems : 4 pcs

EM06100284



*This product has a direction*

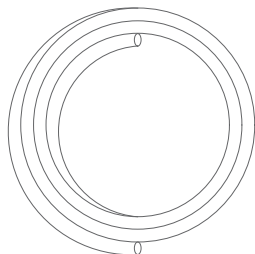


For 3x3 meters systems : 2 pcs  
For 3x4 meters systems : 2 pcs  
For 3x5 meters systems : 2 pcs

# Ecoclimatic Accessories For First Step

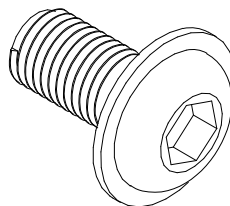
**EM06200059**

*15 mm cord*



**EM10200006**

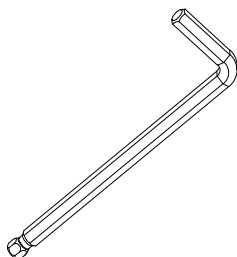
*M8X12 Bolt*



*For 3x3 meters systems : 12 pcs  
For 3x4 meters systems : 12 pcs  
For 3x5 meters systems : 12 pcs*

**Allen Key -**

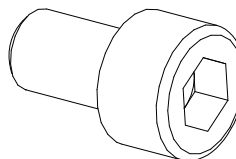
*EM13000062 & EM13000063*



*For 3x3 meters systems : 1 pcs  
For 3x4 meters systems : 1 pcs  
For 3x5 meters systems : 1 pcs*

**EM10200025**

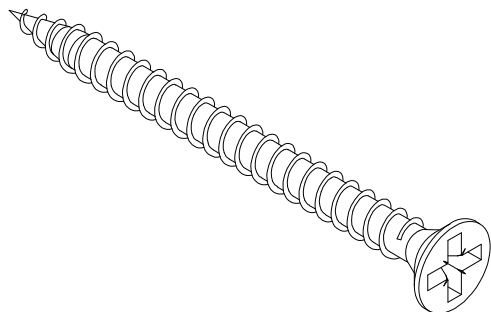
*M6X12 Imbus*



*For 3x3 meters systems : 12 pcs  
For 3x4 meters systems : 12 pcs  
For 3x5 meters systems : 12 pcs*

**EM10100009**

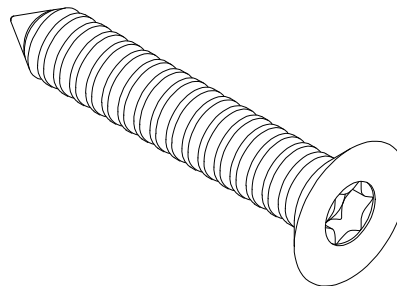
*3,9x16mm Screw*



*For 3x3 meters systems : 6 pcs  
For 3x4 meters systems : 6 pcs  
For 3x5 meters systems : 6 pcs*

**EM10100005**

*7,5x100 mm Buldex Screw*

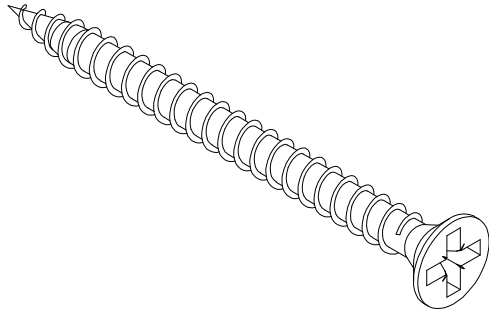


*For 3x3 meters systems : 6 pcs  
For 3x4 meters systems : 6 pcs  
For 3x5 meters systems : 6 pcs*

# Ecoclimatic Accessories For First Step

**EM10100017**

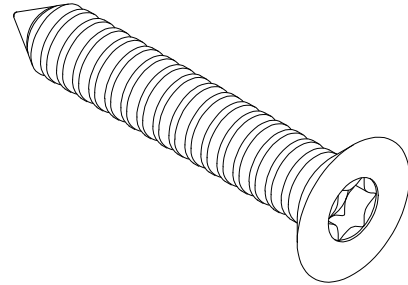
*3,9x38mm Screw*



*For 3x3 meters systems : 8 pcs  
For 3x4 meters systems : 8 pcs  
For 3x5 meters systems : 8 pcs*

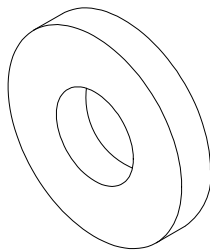
**EM10100028**

*7,5x60 mm Buldex Screw*



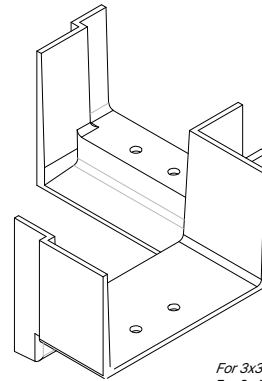
*For 3x3 meters systems : 8 pcs  
For 3x4 meters systems : 8 pcs  
For 3x5 meters systems : 8 pcs*

**EM06200056**

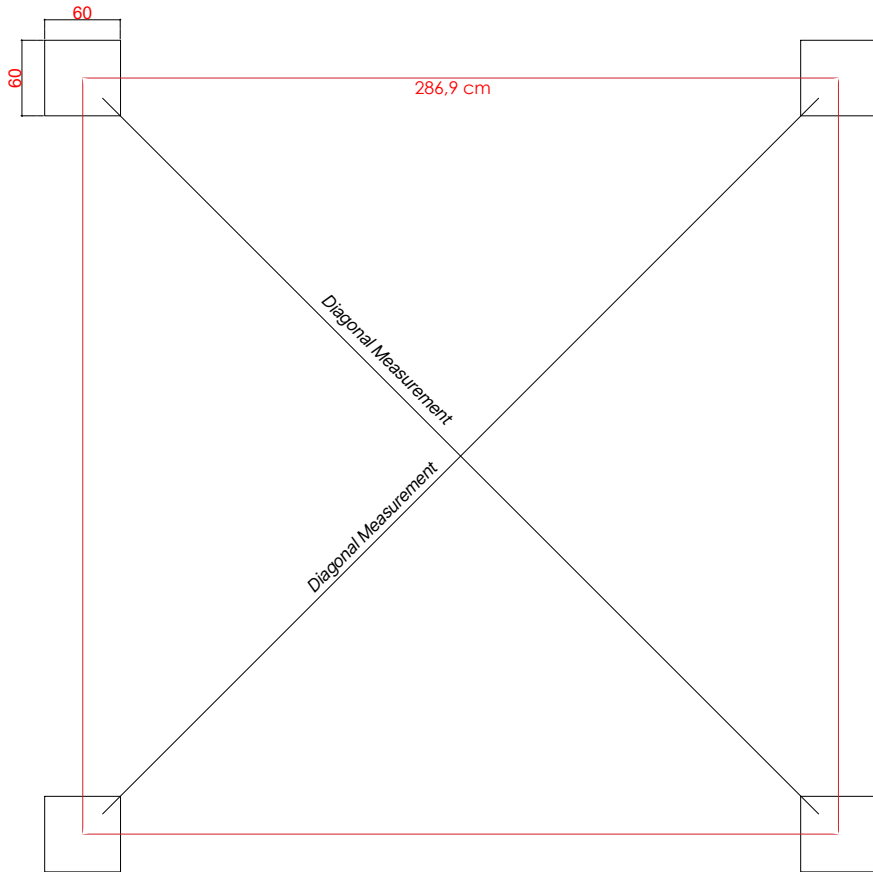


*For 3x3 meters systems : 4 pcs  
For 3x4 meters systems : 4 pcs  
For 3x5 meters systems : 4 pcs*

**EM06100292**



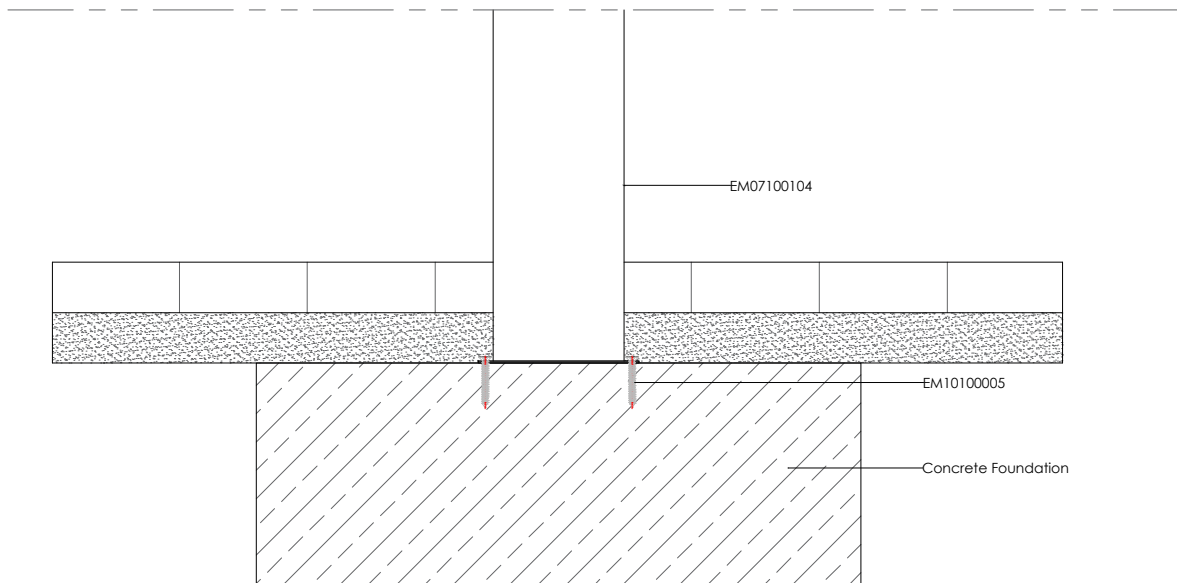
*For 3x3 meters systems : 2 pcs  
For 3x4 meters systems : 2 pcs  
For 3x5 meters systems : 2 pcs*



for 3x3 system : 286,9 cm  
 for 3x4 system : 391,7 cm  
 for 3x5 system : 496,4 cm



If your system is **3x3 meters**, then the diagonal measurement should be **405.1 cm**.  
 If your system is **3x4 meters**, then the diagonal measurement should be **484.9 cm**.  
 If your system is **3x5 meters**, then the diagonal measurement should be **572.8 cm**.

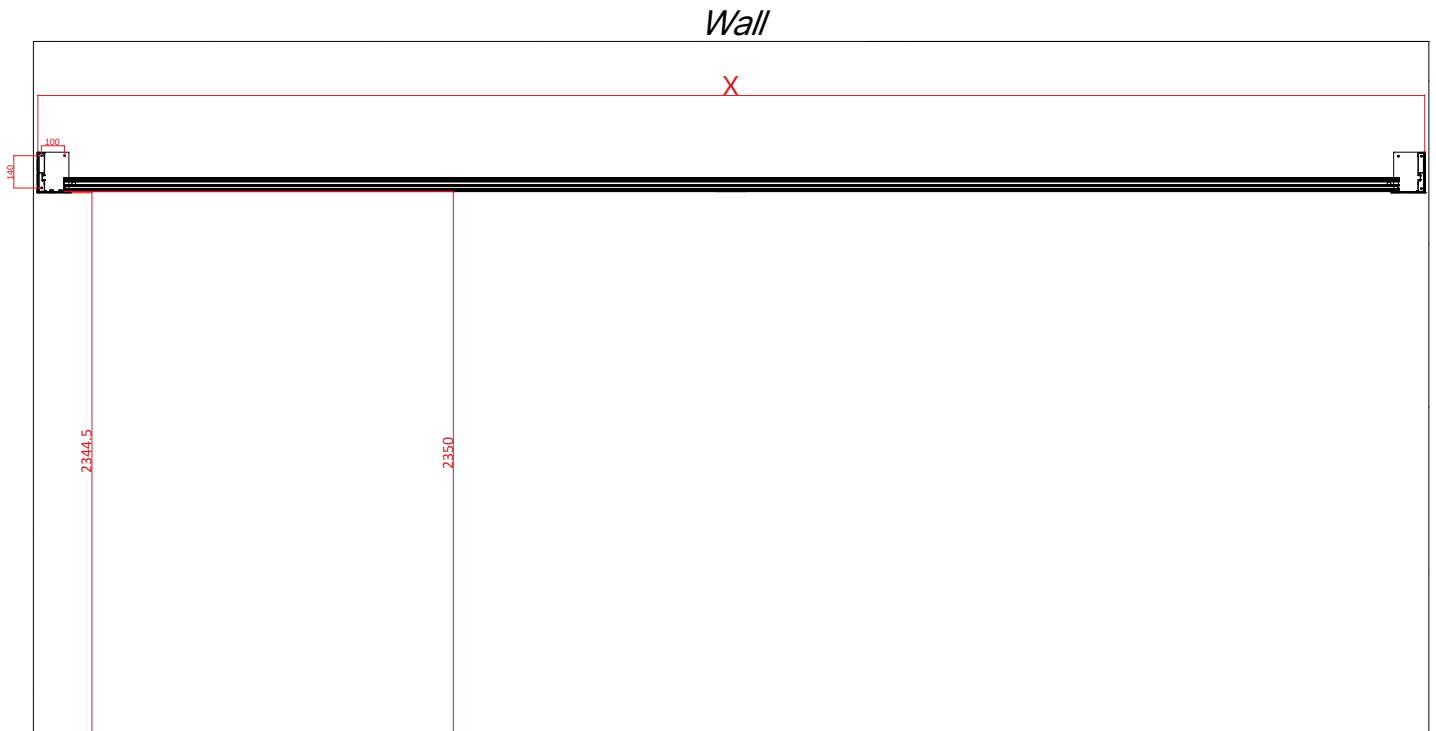


*Section Detail*

To ensure maximum durability of your pergola against environmental conditions, we recommend reinforcing the surface where the structure will be installed. In this regard, it is advisable to create reinforced point foundations measuring 60x60x80 cm and secure your pergola to these foundations using anchor bolts (EM10100005). Alternatively, you can also screw your pergola directly into patio surfaces such as stone or wooden decking



## Attention



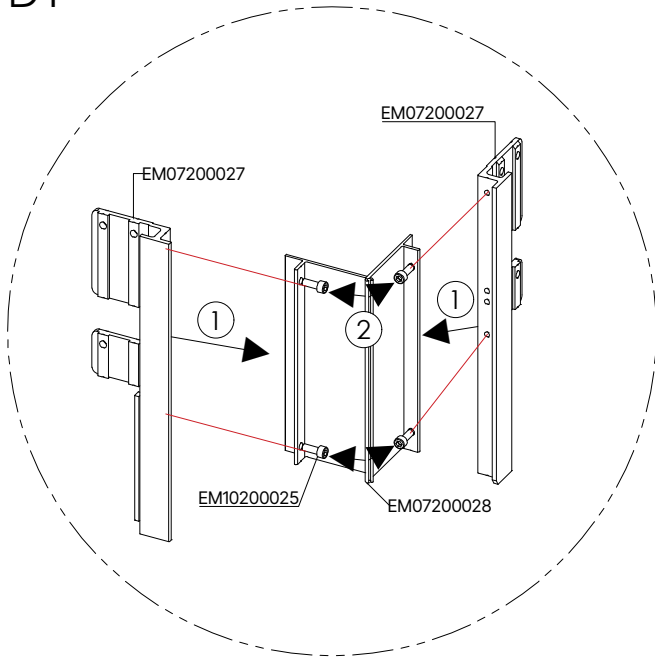
When installing wall mounting accessories, attention should be paid to their height from the ground and the distances between them.



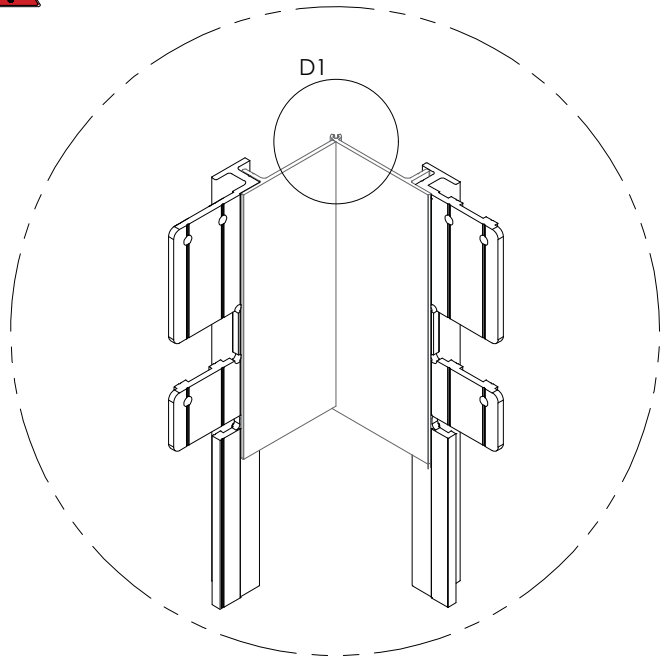
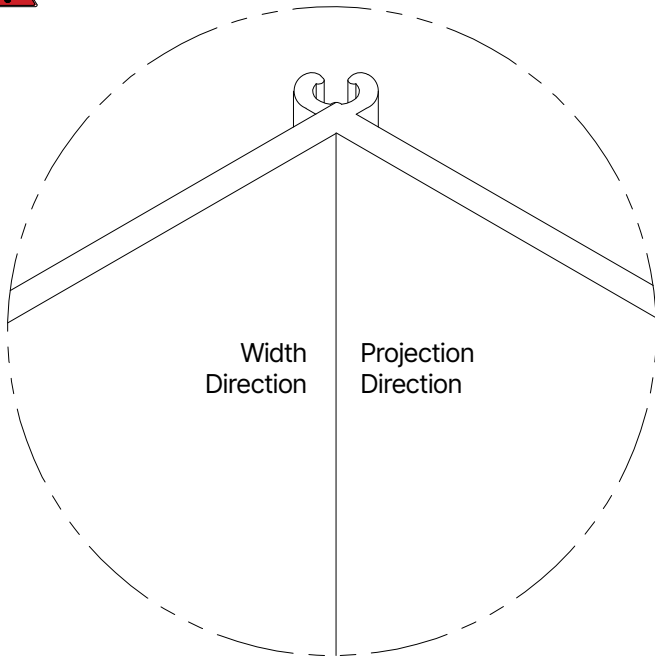
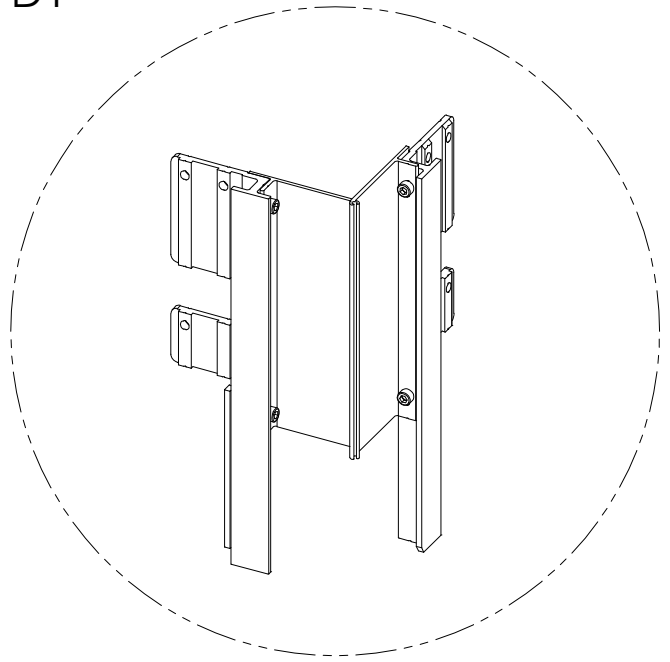
If your system is **3x3 meters**, then the X should be **300 cm**.  
If your system is **3x4 meters**, then the X should be **404.8 cm**.  
If your system is **3x5 meters**, then the X should be **509.6 cm**.

# Ecoclimatic First Step : Making Frame

D1

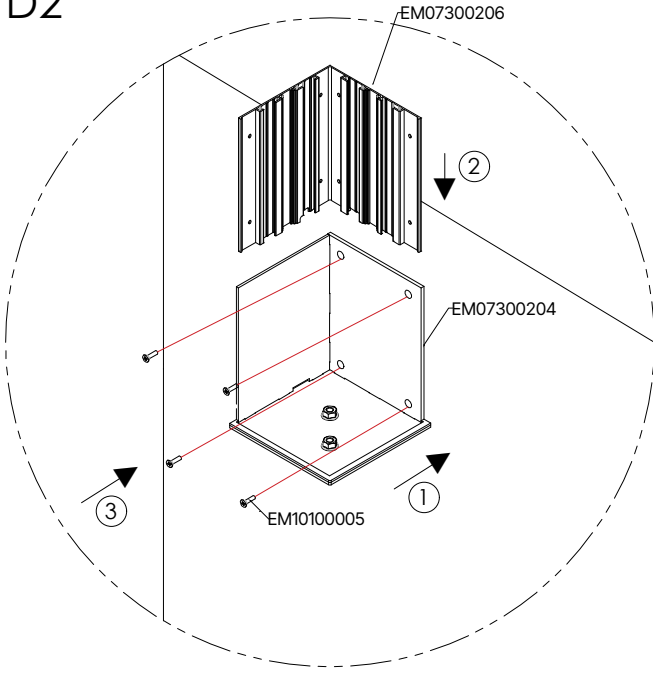


D1

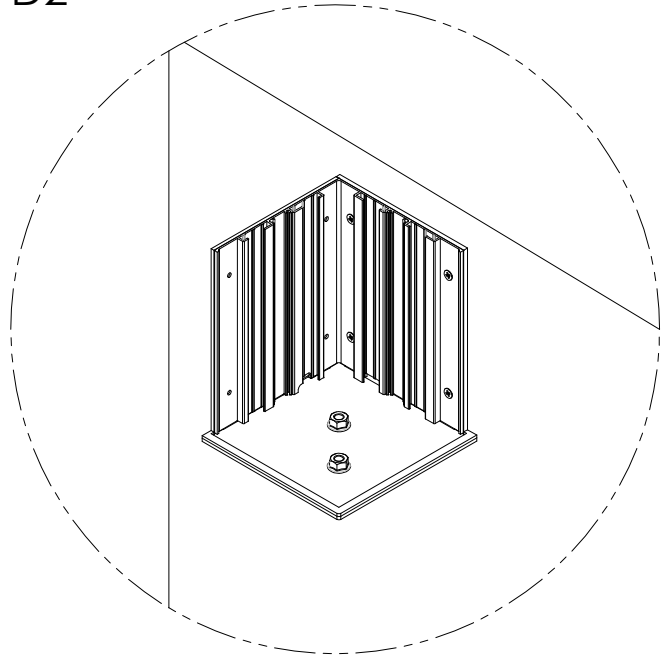


EM07200027 and EM07200028 are screwed together and 2 sets are prepared in this way.

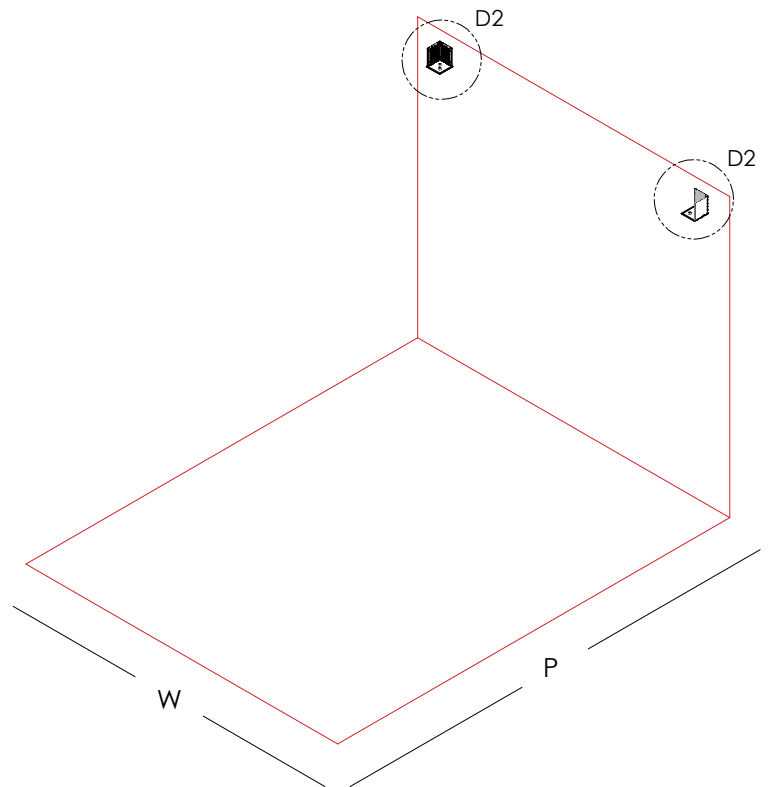
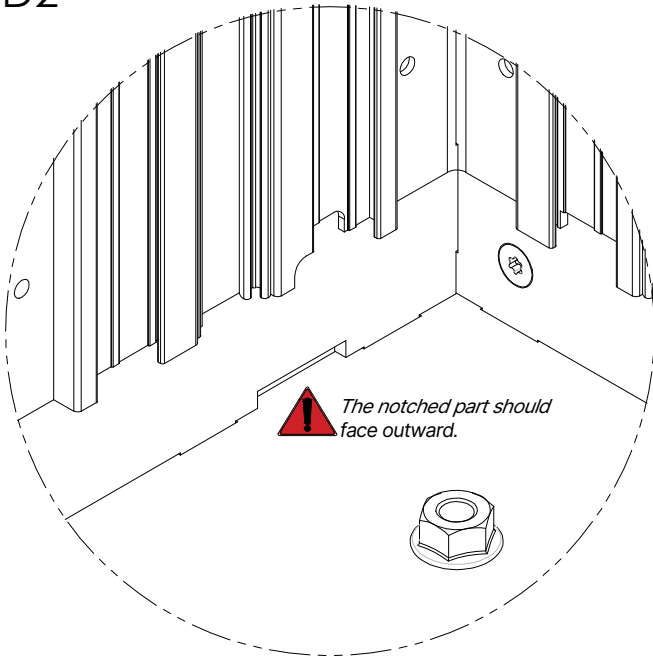
D2



D2

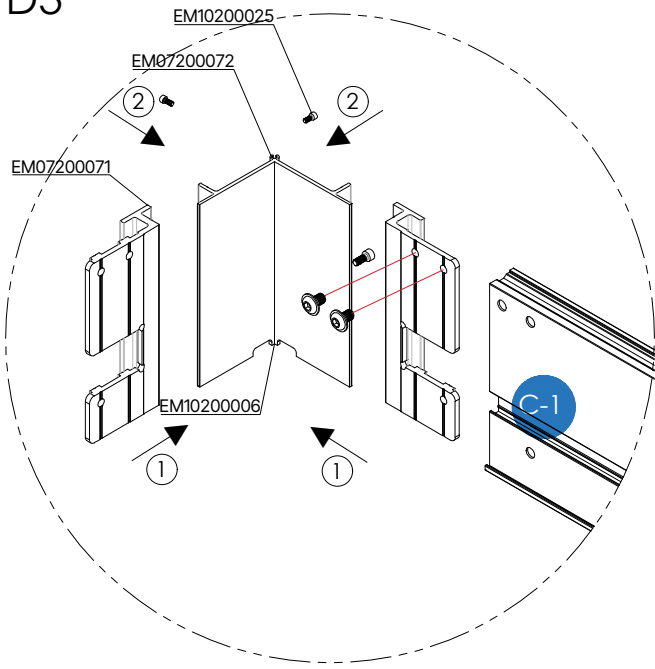


D2

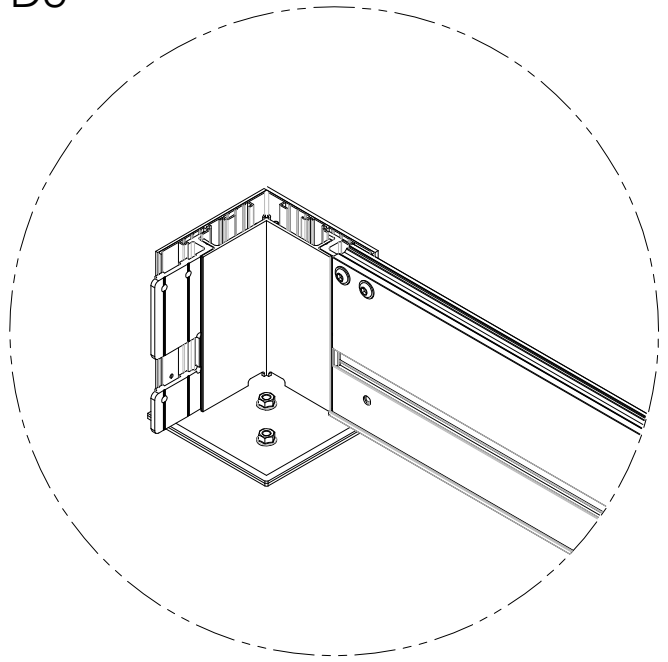


The wall anchor coded EM07300204 is placed in the position. The corner connection plate code EM07300206 is placed inside the anchor and fixed with screws code EM10100005.

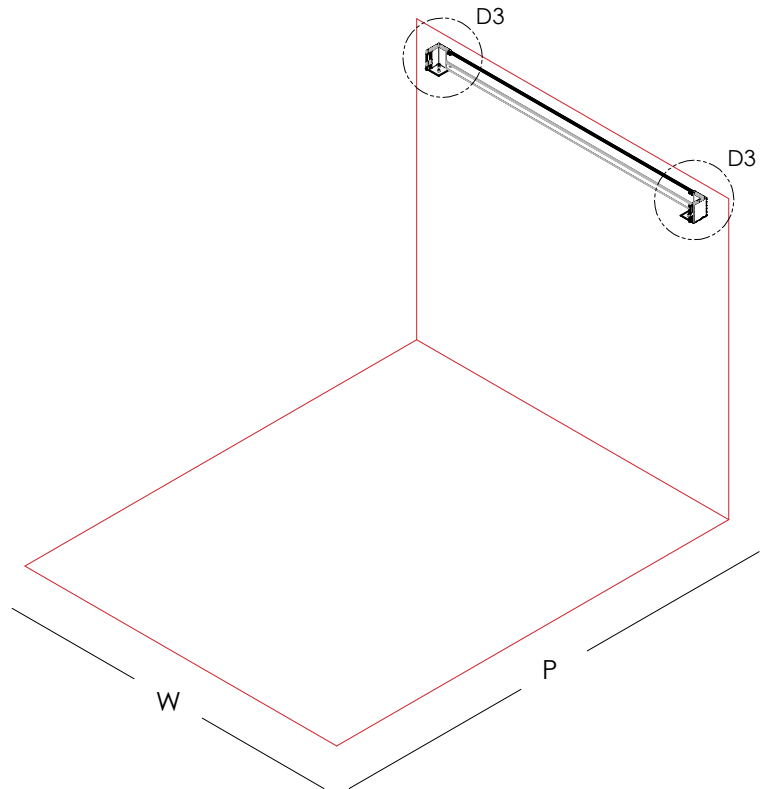
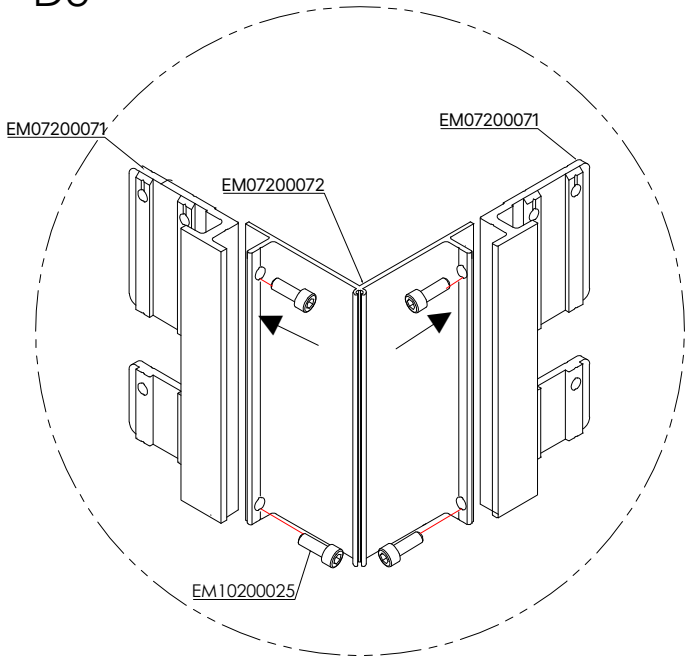
D3



D3

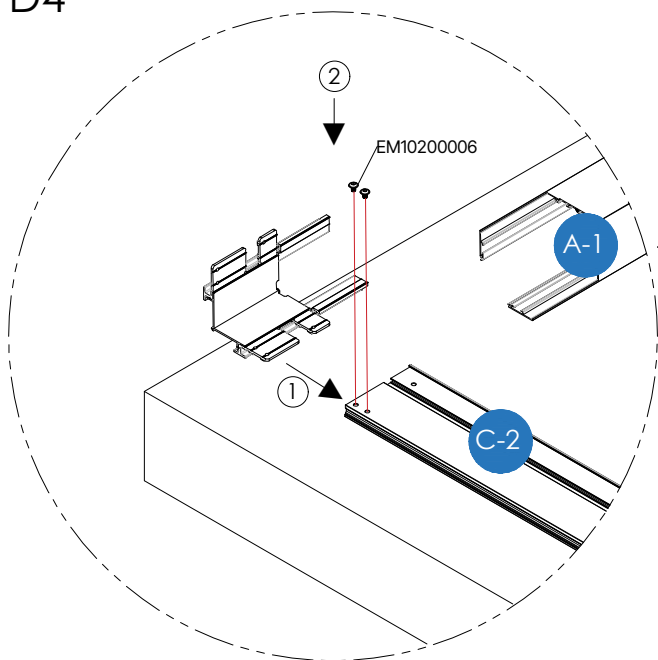


D3

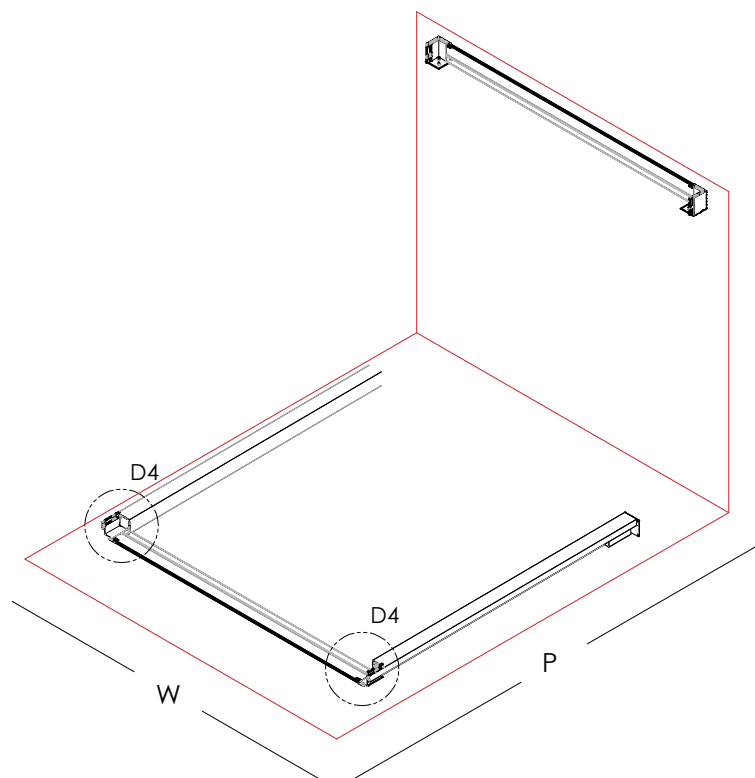
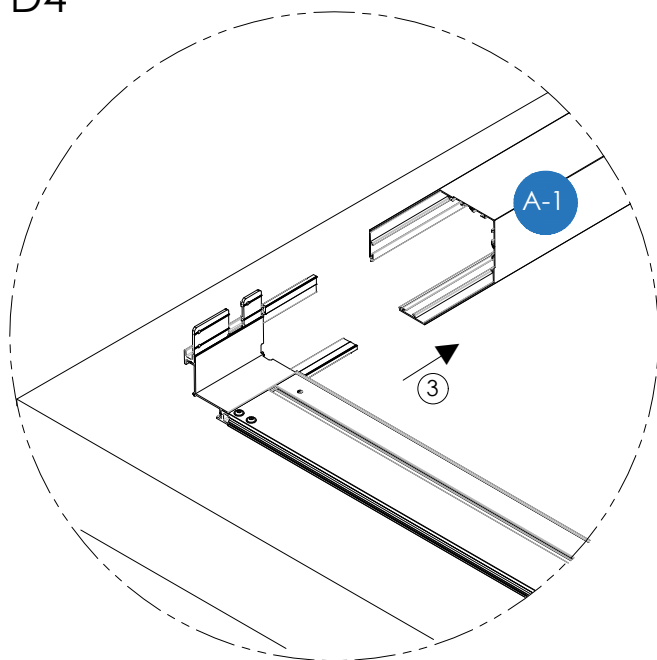


The C2 coded profile with corner connections fixed is inserted into the pillars (M7037). It is screwed through the screw channels on the C2 profile as shown in the figure.

D4

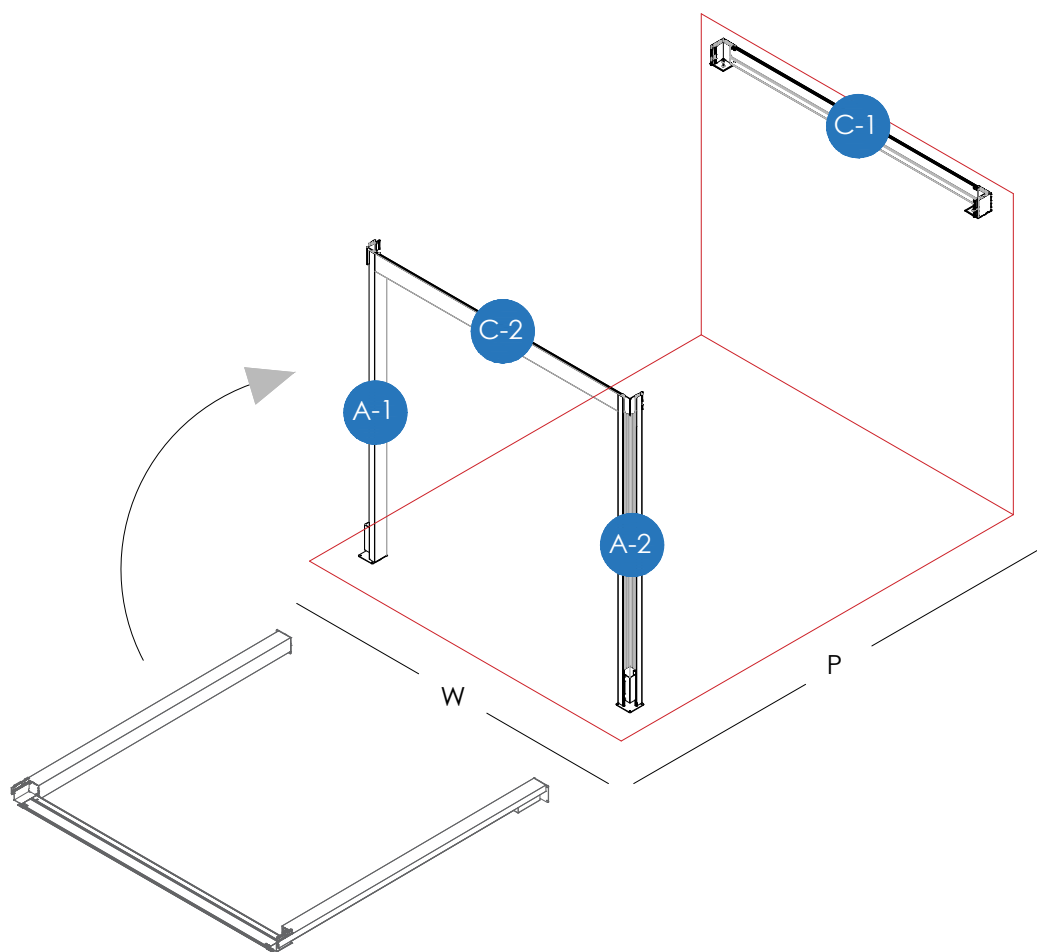
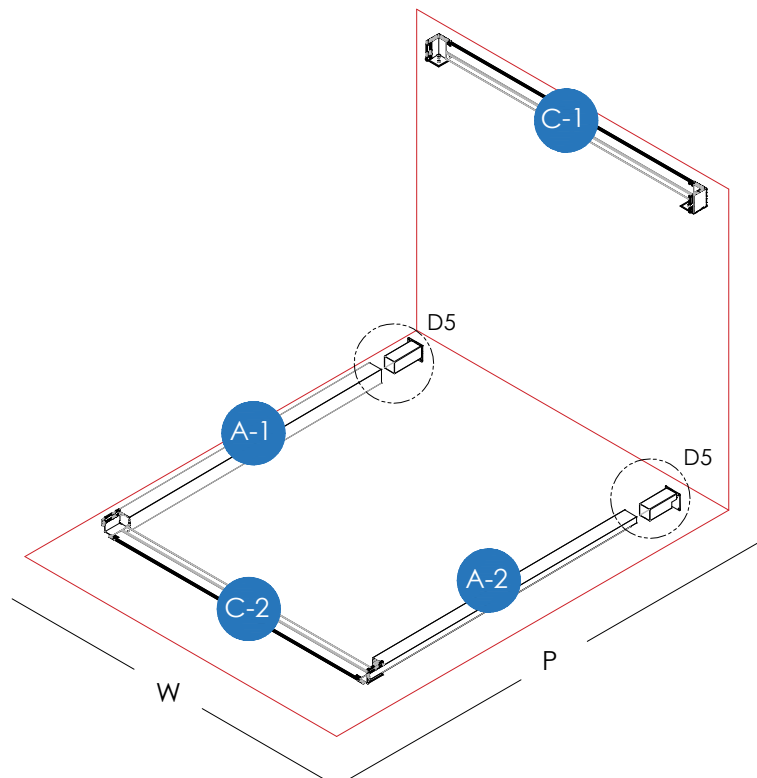
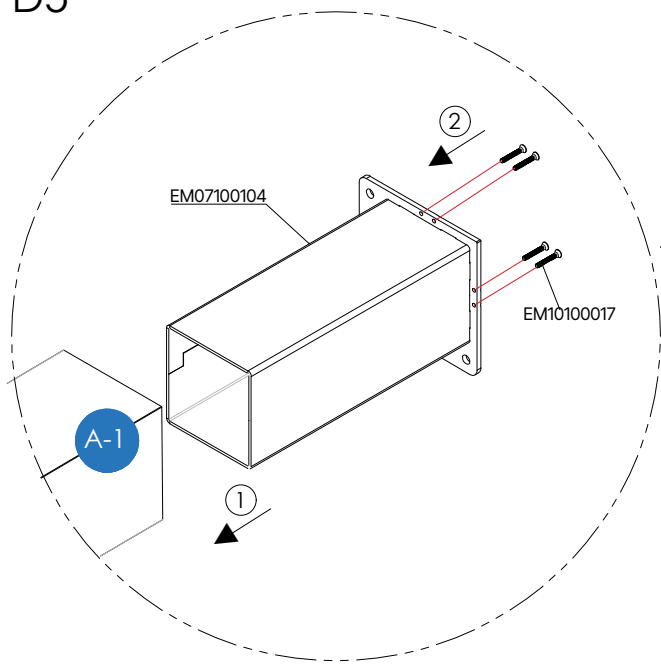


D4



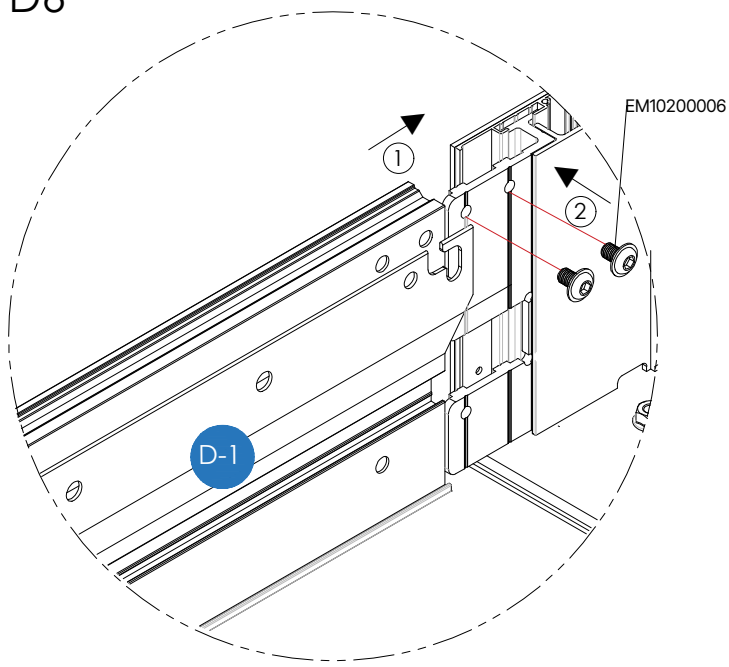
The C2 coded profile with corner connections fixed is inserted into the pillars (M7037). It is screwed through the screw channels on the C2 profile as shown in the figure.

D5

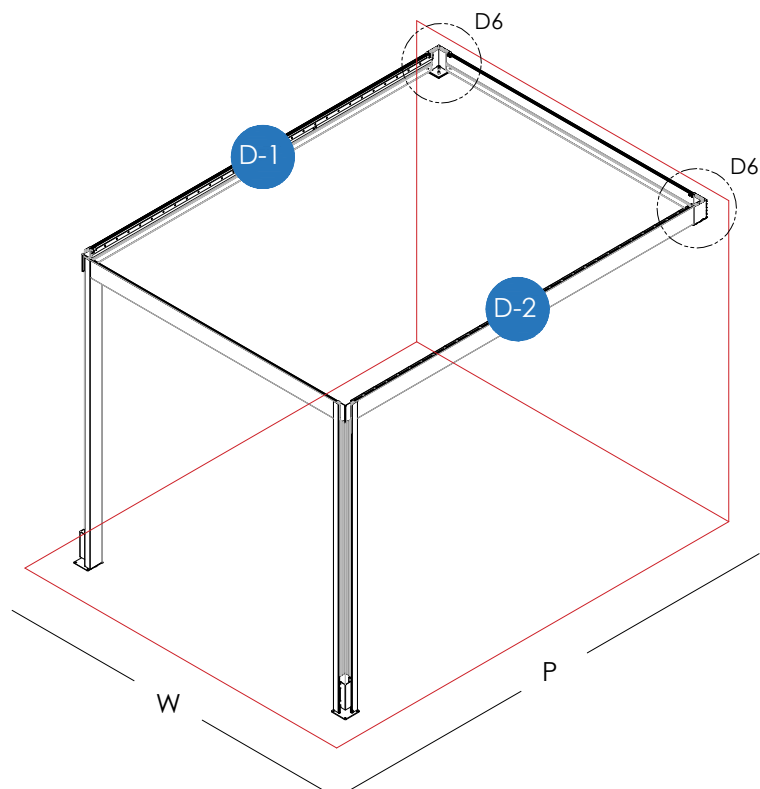
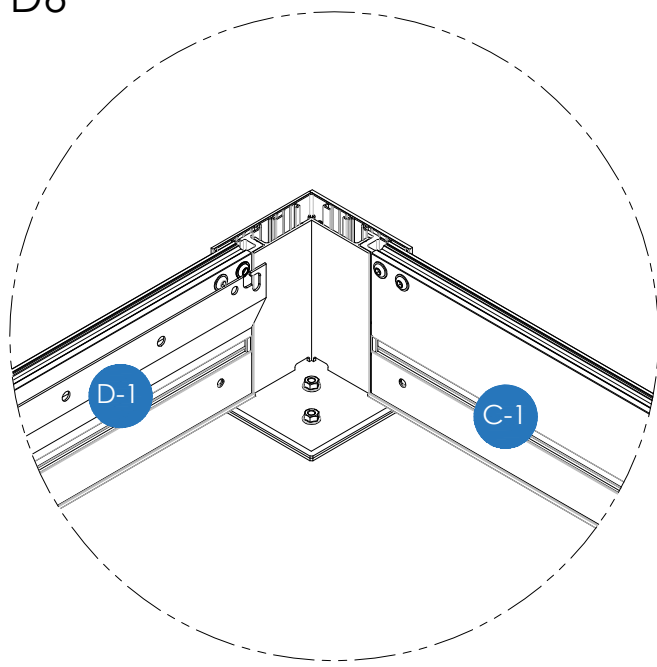


The accessory code EM07100104 is mounted on the pillars. The C2 coded profile, which is shaped like a U on the ground, is lifted as shown in the figure.

D6

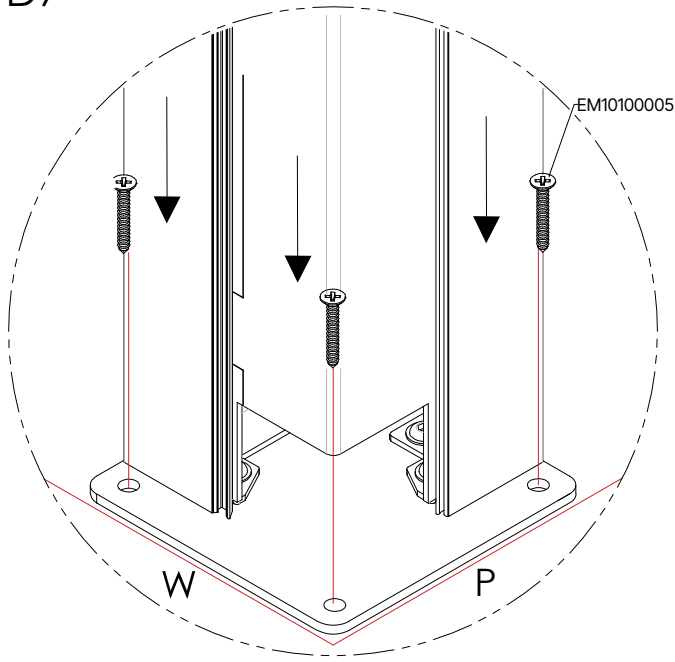


D6

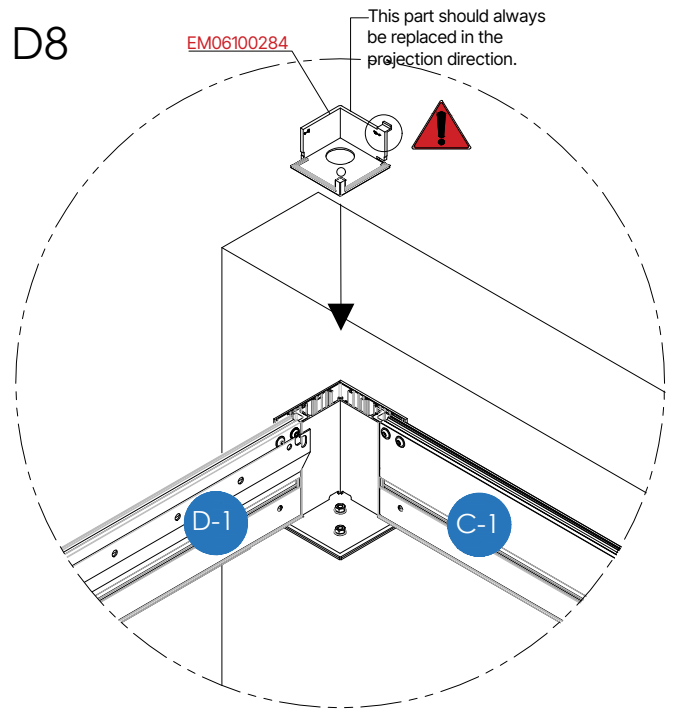


D1 coded profile is inserted to the corner connections as shown in the figure. It is fixed with corner connections by inserting screws with code EM10200006 from the screw channels on the right and left of the profile.

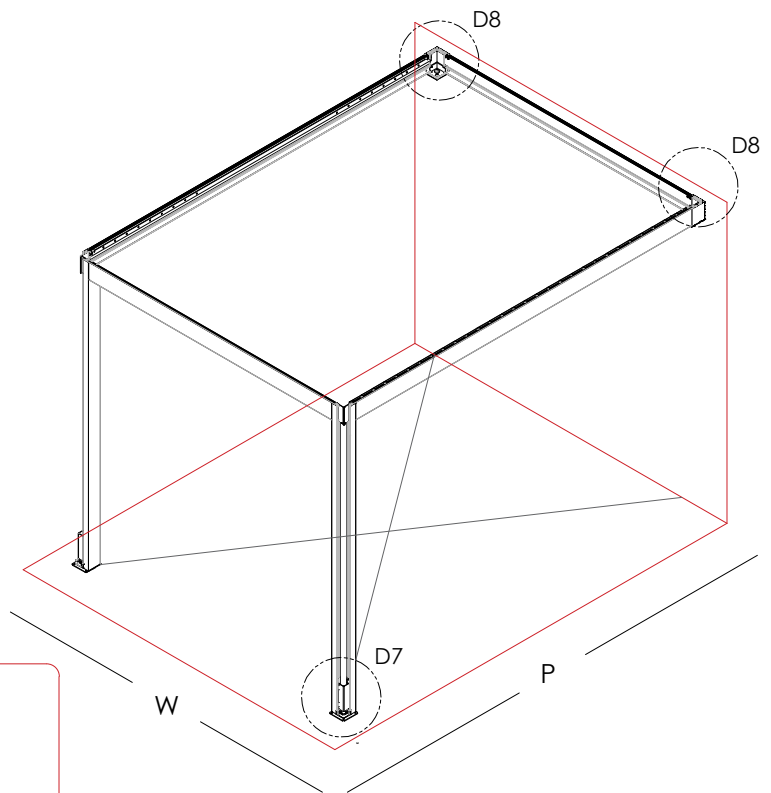
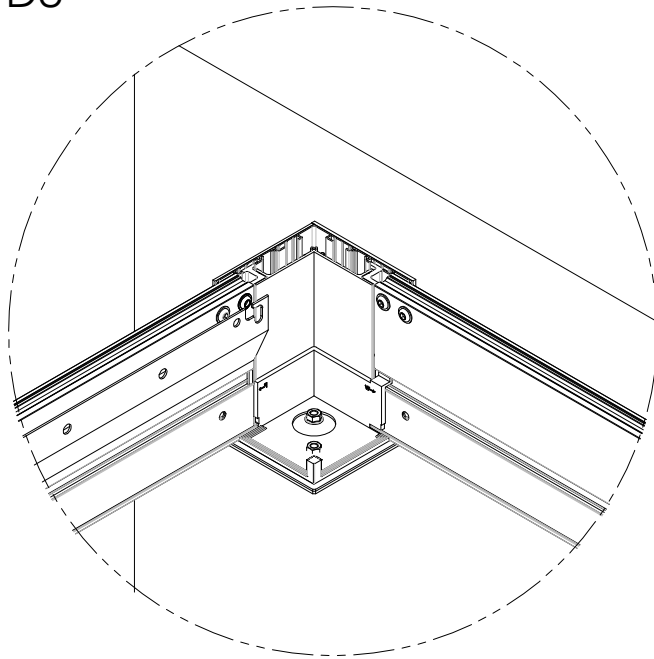
D7




D8



D8

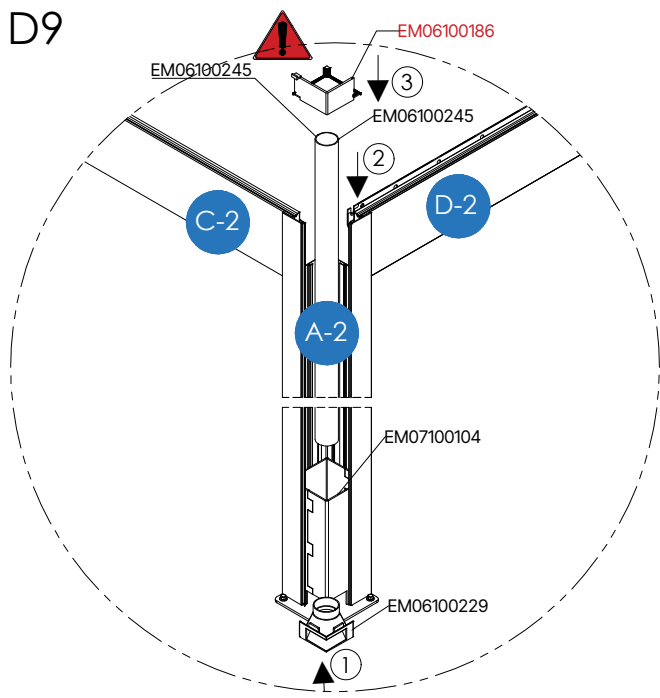


 **Diagonal size should be checked.**

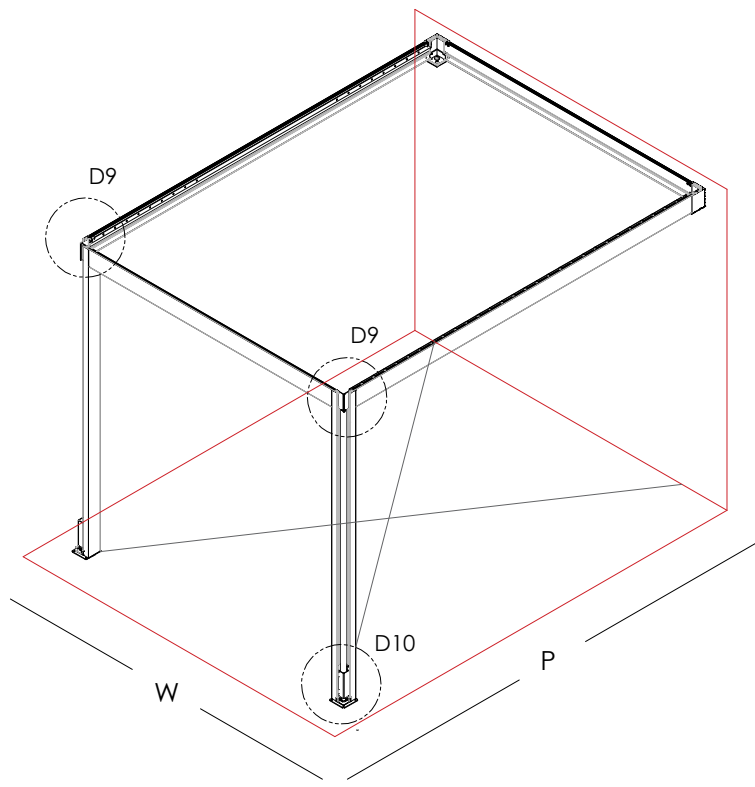
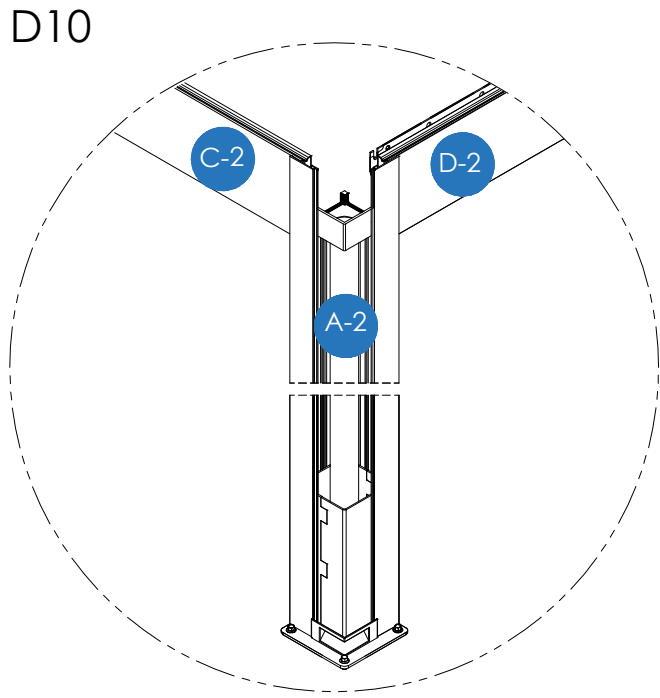
If your system is 3x3 meters, then the diagonal measurement should be 405,8 cm.  
 If your system is 3x4 meters, then the diagonal measurement should be 485,6 cm.  
 If your system is 3x5 meters, then the diagonal measurement should be 573,5 cm.

As shown in the figure, the diagonal dimensions of the system are checked. If the measurement is not correct, it is brought to the required size and the system is fixed by using ground screws. Water drain plugs are attached to the pillars on the front of the system. The pipe is passed from above and attached to the plugs. Rubbers are attached to the four corners. The rubbers on the part where the pipe is located (the two rubbers on the front face of the system) should be cut with a carpet knife from the circular area.

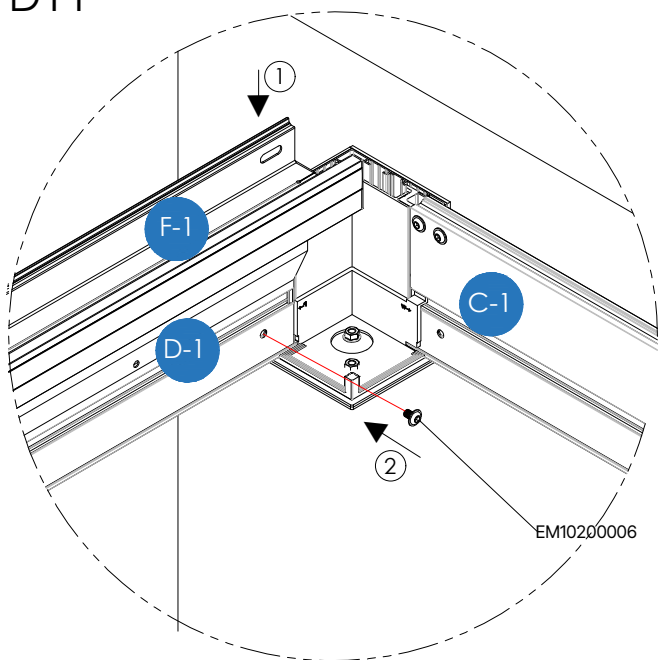
D9



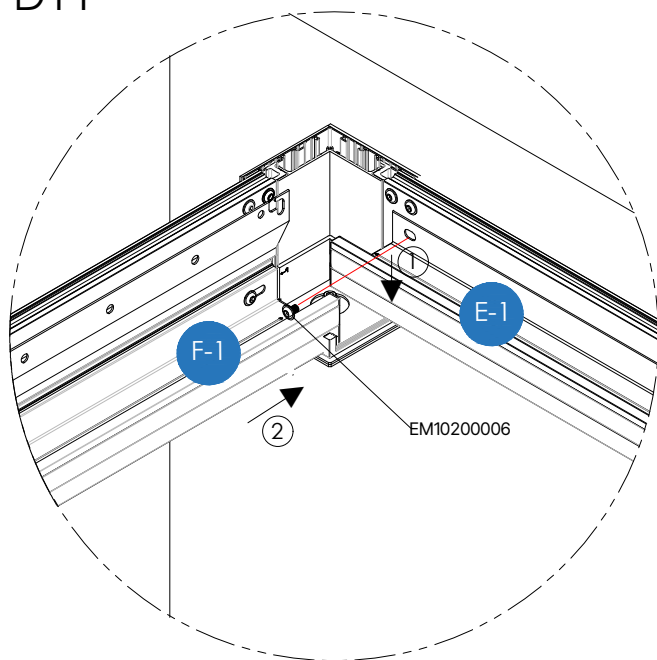
D10



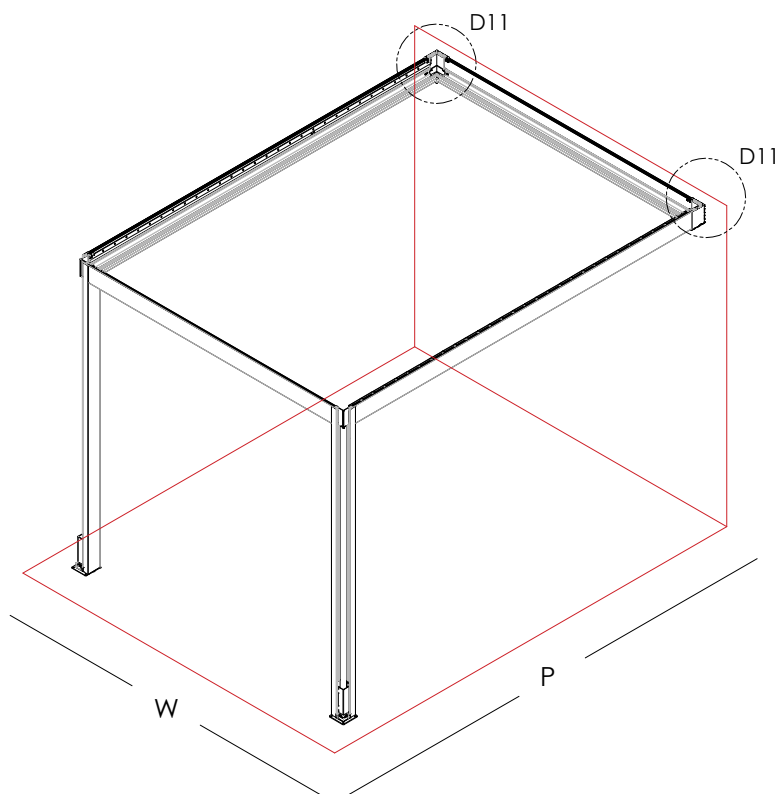
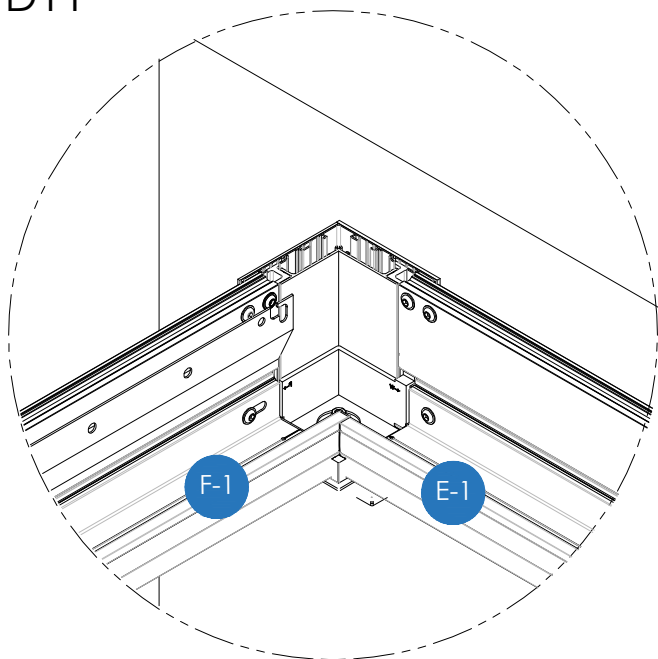
D11



D11

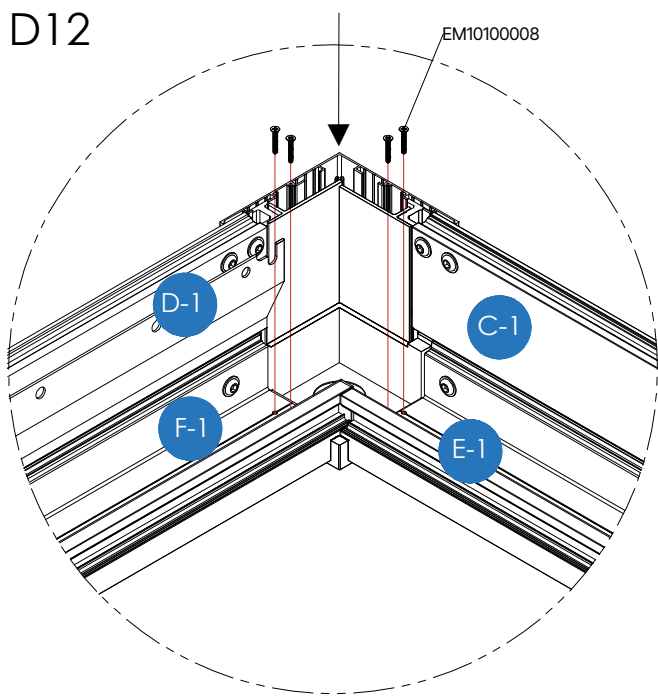


D11

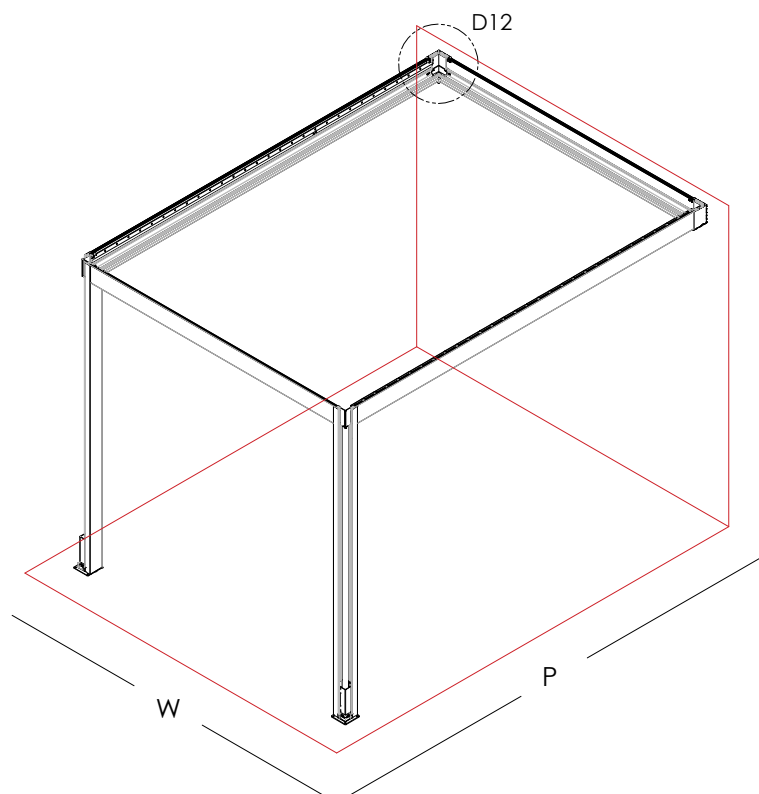
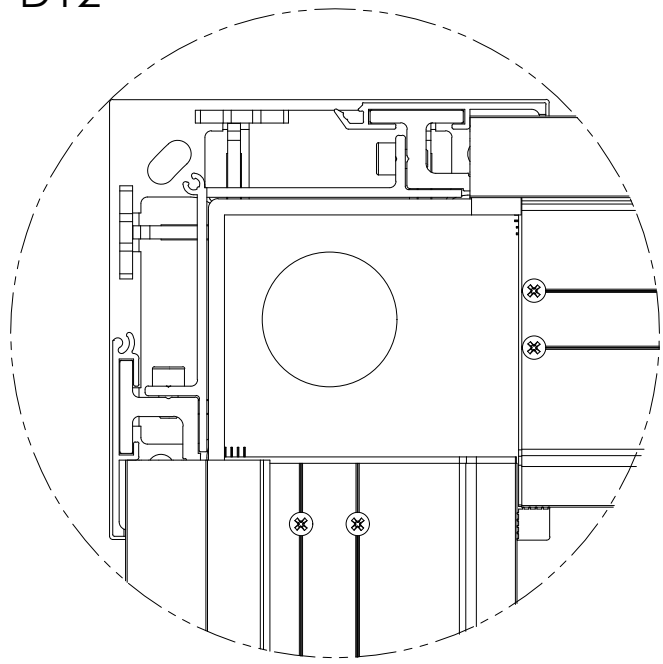


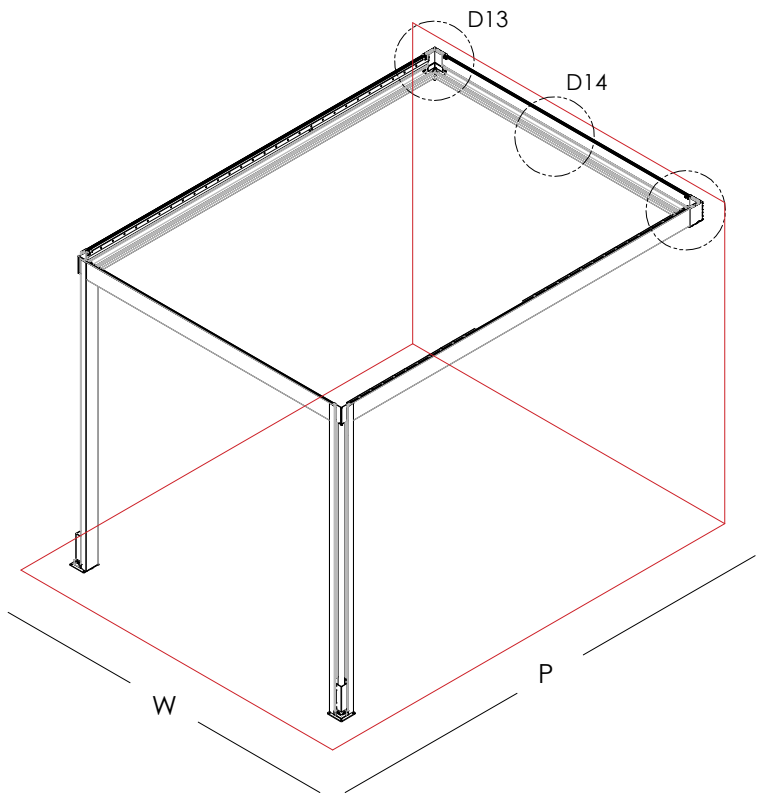
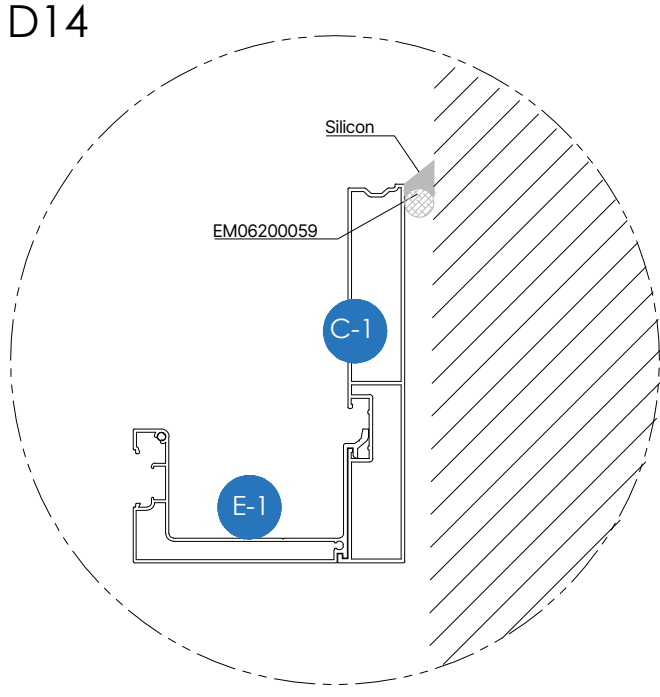
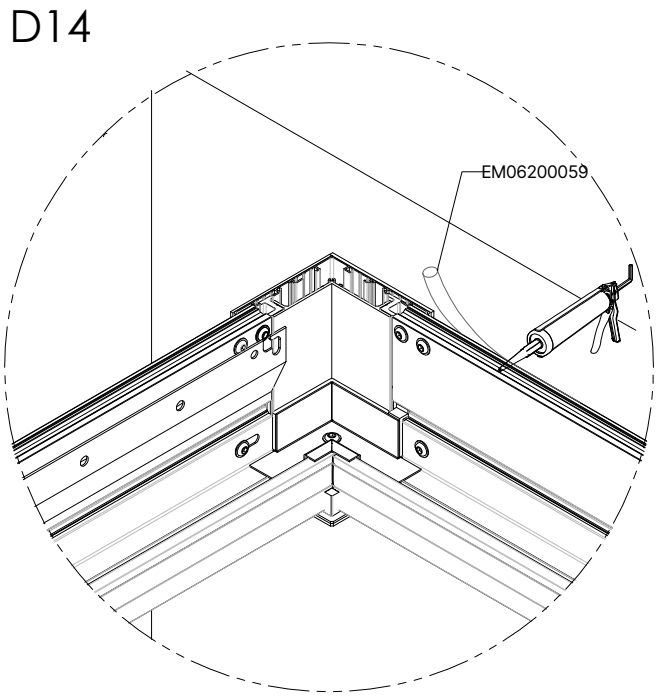
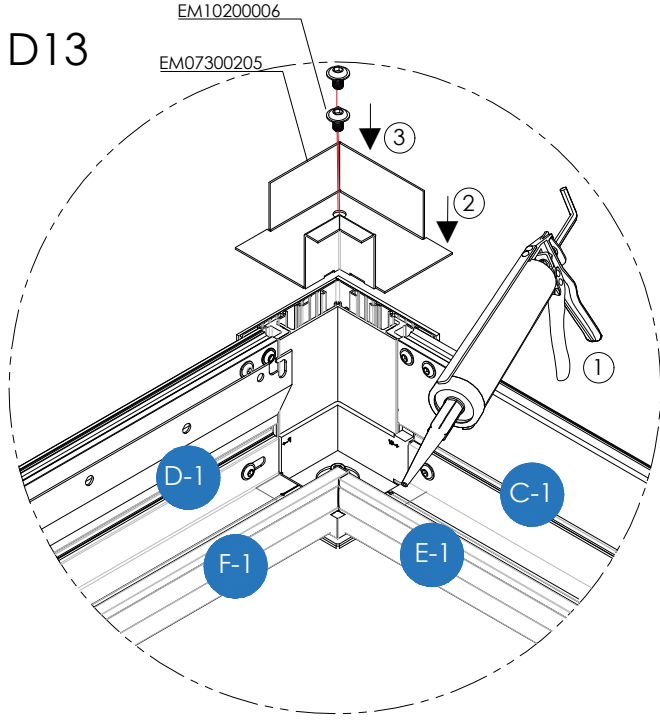
All gutters are fixed by screwing them from above with the screw code EM10100008 from each corner as shown in the figure.

D12



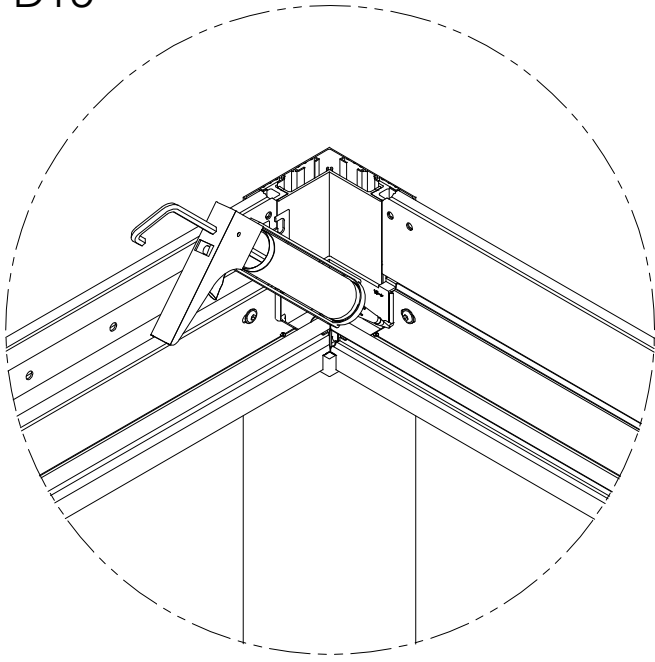
D12



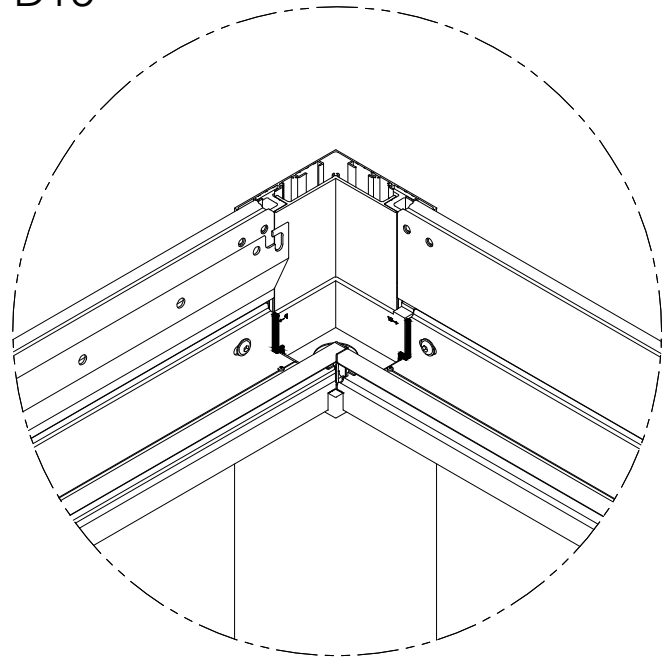


Inner corner plates coded EM07300205 are attached to the wall connection corners as shown in the figure and fixed with screws coded EM10200006.

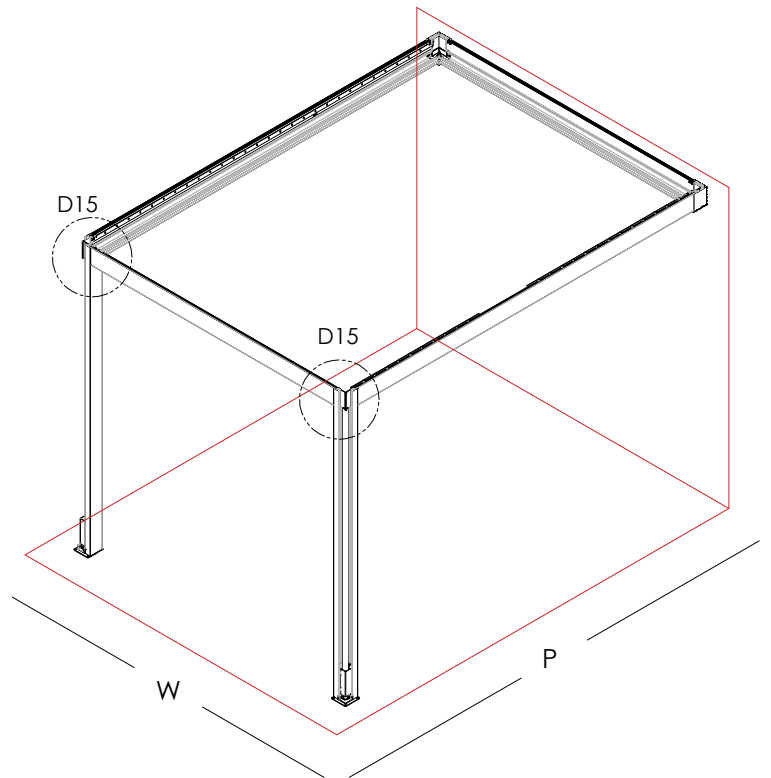
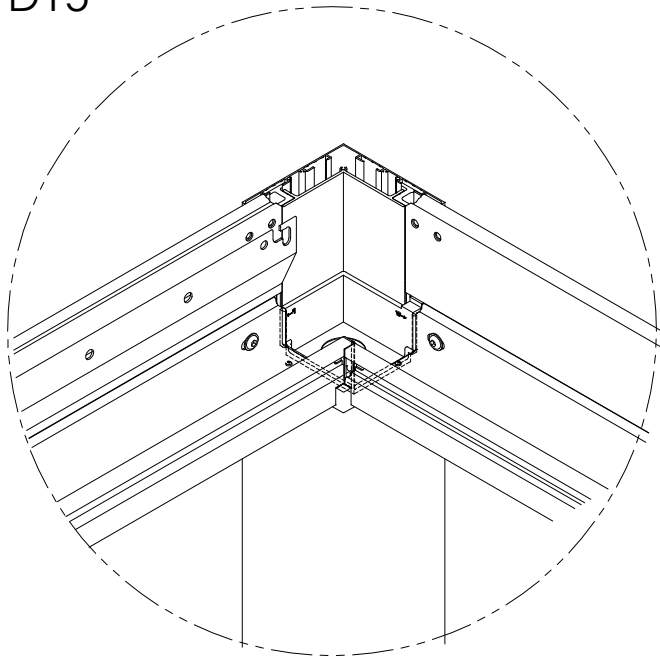
D15



D15

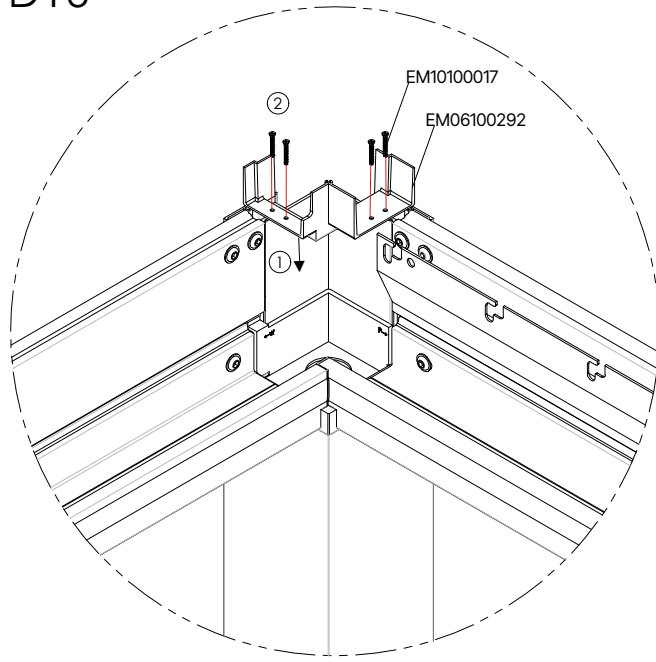


D15

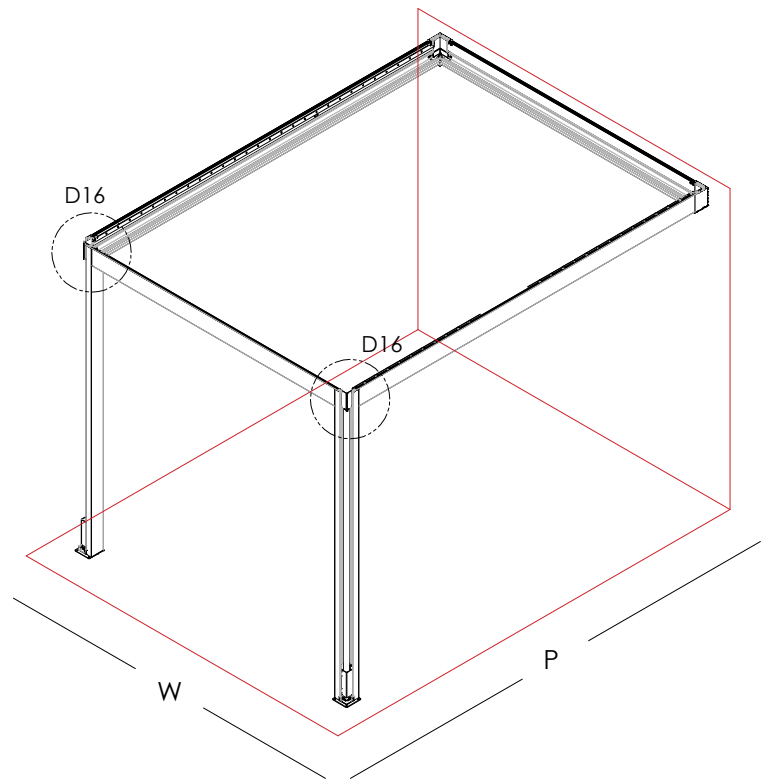
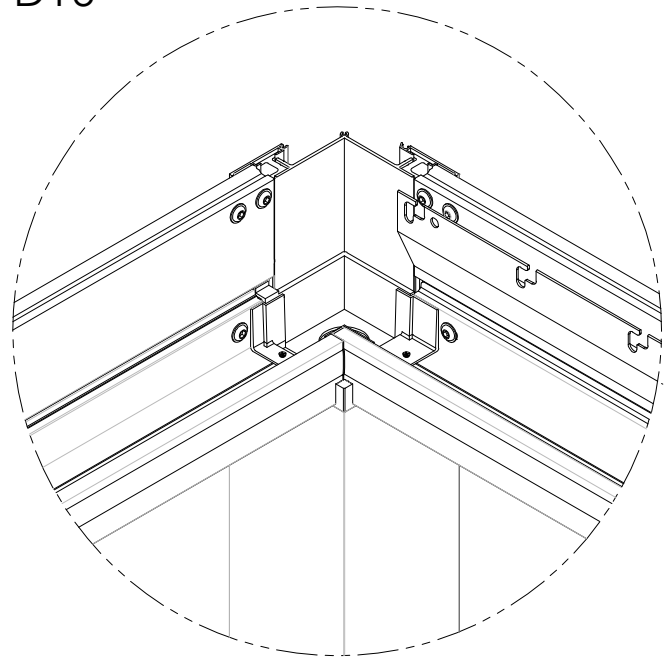


Silicone should be applied to the junction of the rubbers (EM06100186) on the 2 corners, as shown in the figure.

D16



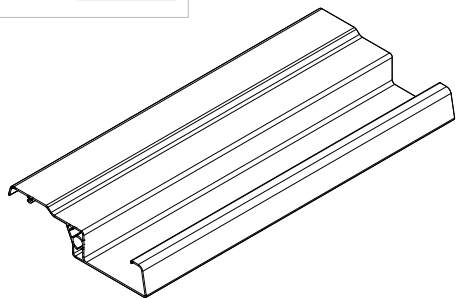
D16



All gutters are fixed by screwing them from above with the screw code EM10100017 from each corner as shown in the figure.

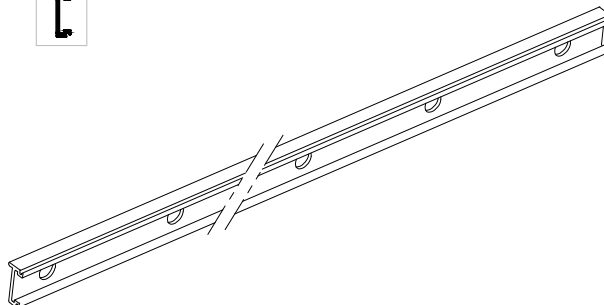
# Ecoclimatic Profiles For Second Step

M7253



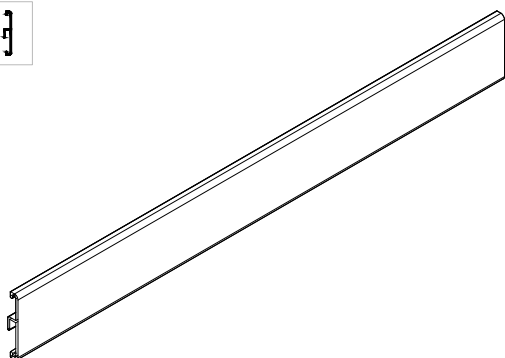
For 3x3 meters systems : 22 pcs  
 For 3x4 meters systems : 30 pcs  
 For 3x5 meters systems : 38 pcs

M7031



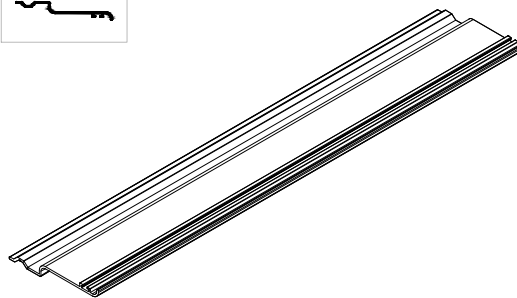
For 3x3 meters systems : 2 pcs  
 For 3x4 meters systems : 2 pcs  
 For 3x5 meters systems : 2 pcs

M7201



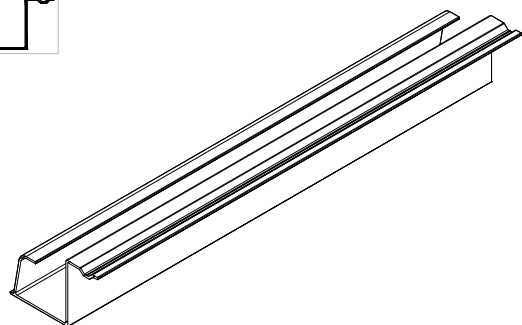
For 3x3 meters systems : 2 pcs  
 For 3x4 meters systems : 2 pcs  
 For 3x5 meters systems : 2 pcs

M7029



For 3x3 meters systems : 2 pcs  
 For 3x4 meters systems : 2 pcs  
 For 3x5 meters systems : 2 pcs

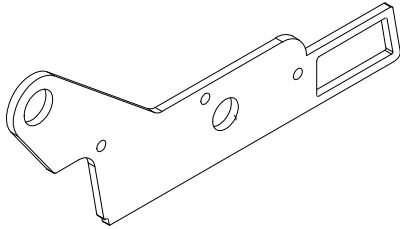
M7030



For 3x3 meters systems : 2 pcs  
 For 3x4 meters systems : 2 pcs  
 For 3x5 meters systems : 2 pcs

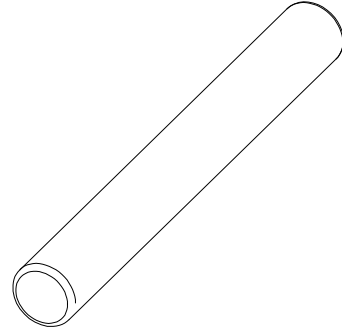
# Ecoclimatic Accessories For Second Step

EM07200091



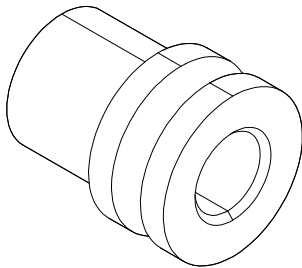
For 3x3 meters systems : 43 pcs  
For 3x4 meters systems : 59 pcs  
For 3x5 meters systems : 75 pcs

EM07300164



For 3x3 meters systems : 44 pcs  
For 3x4 meters systems : 60 pcs  
For 3x5 meters systems : 76 pcs

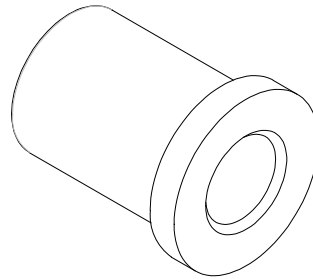
EM06100202



For 3x3 meters systems : 22 pcs  
For 3x4 meters systems : 30 pcs  
For 3x5 meters systems : 38 pcs

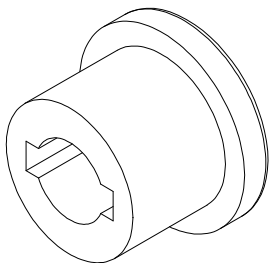
EM06100228

reducer side



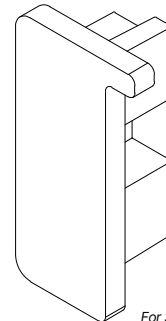
For 3x3 meters systems : 22 pcs  
For 3x4 meters systems : 30 pcs  
For 3x5 meters systems : 38 pcs

EM06100208



For 3x3 meters systems : 1 pcs  
For 3x4 meters systems : 1 pcs  
For 3x5 meters systems : 1 pcs

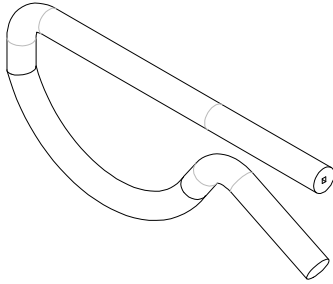
EM06100279 - (Black)  
EM06100278 - (White)



For 3x3 meters systems : 4 pcs  
For 3x4 meters systems : 4 pcs  
For 3x5 meters systems : 4 pcs

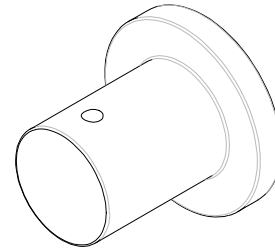
# Ecoclimatic Accessories For Second Step

EM07400027



For 3x3 meters systems : 44 pcs  
 For 3x4 meters systems : 60 pcs  
 For 3x5 meters systems : 76 pcs

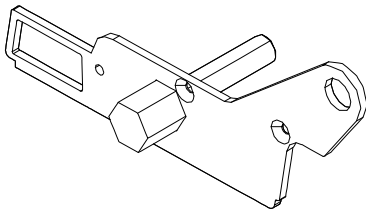
EM06100302



For 3x3 meters systems : 44 pcs  
 For 3x4 meters systems : 60 pcs  
 For 3x5 meters systems : 76 pcs

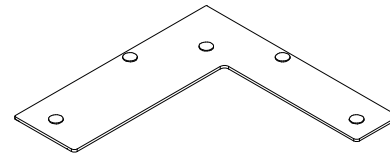
EM07100190

Reducer Blade



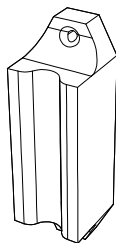
For 3x3 meters systems : 1 pcs  
 For 3x4 meters systems : 1 pcs  
 For 3x5 meters systems : 1 pcs

EM07100105



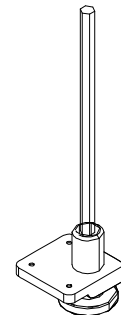
For 3x3 meters systems : 2 pcs  
 For 3x4 meters systems : 2 pcs  
 For 3x5 meters systems : 2 pcs

EM07300185 - (Black)  
 EM07300135 - (White)



For 3x3 meters systems : 1 pcs  
 For 3x4 meters systems : 1 pcs  
 For 3x5 meters systems : 1 pcs

EM07200069 - (Black)  
 EM07200038 - (White)



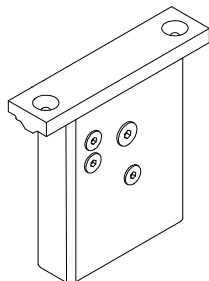
For 3x3 meters systems : 1 pcs  
 For 3x4 meters systems : 1 pcs  
 For 3x5 meters systems : 1 pcs

# Ecoclimatic Accessories For Second Step

EM06100282 - (Black)  
EM06100283 - (White)



*This accessory comes pre-assembled with the product.*



For 3x3 meters systems : 1 pcs  
For 3x4 meters systems : 1 pcs  
For 3x5 meters systems : 1 pcs

EM07300184 - (Black)  
EM07300183 - (White)



For 3x3 meters systems : 1 pcs  
For 3x4 meters systems : 1 pcs  
For 3x5 meters systems : 1 pcs

EM07300169 - (Black)  
EM07300187 - (White)



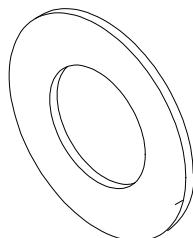
For 3x3 meters systems : 1 pcs  
For 3x4 meters systems : 1 pcs  
For 3x5 meters systems : 1 pcs

EM07200070 - (Black)  
EM07200036 - (White)



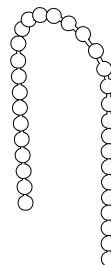
For 3x3 meters systems : 1 pcs  
For 3x4 meters systems : 1 pcs  
For 3x5 meters systems : 1 pcs

EM10400005



For 3x3 meters systems : 44 pcs  
For 3x4 meters systems : 60 pcs  
For 3x5 meters systems : 76 pcs

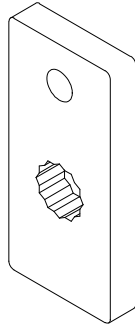
EM07300127



For 3x3 meters systems : 1 pcs  
For 3x4 meters systems : 1 pcs  
For 3x5 meters systems : 1 pcs

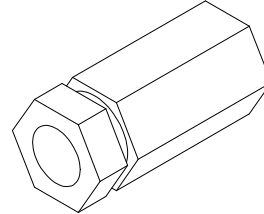
# Ecoclimatic Accessories For Second Step

EM07300233



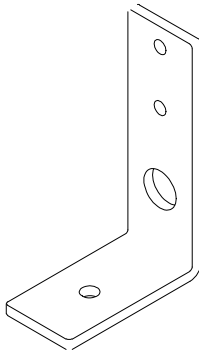
For 3x3 meters systems : 1 pcs  
For 3x4 meters systems : 1 pcs  
For 3x5 meters systems : 1 pcs

EM07300231



For 3x3 meters systems : 1 pcs  
For 3x4 meters systems : 1 pcs  
For 3x5 meters systems : 1 pcs

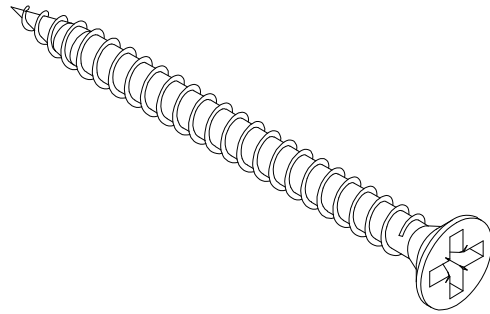
EM07300232



For 3x3 meters systems : 1 pcs  
For 3x4 meters systems : 1 pcs  
For 3x5 meters systems : 1 pcs

EM10100006

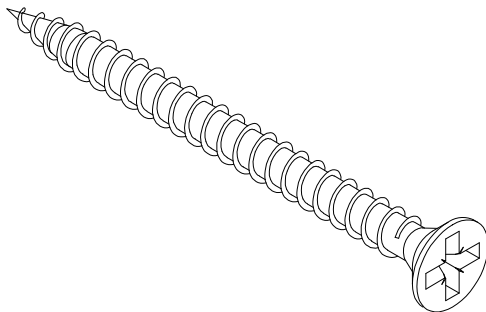
3,9x12mm Screw



For 3x3 meters systems : 4 pcs  
For 3x4 meters systems : 4 pcs  
For 3x5 meters systems : 4 pcs

EM10100007

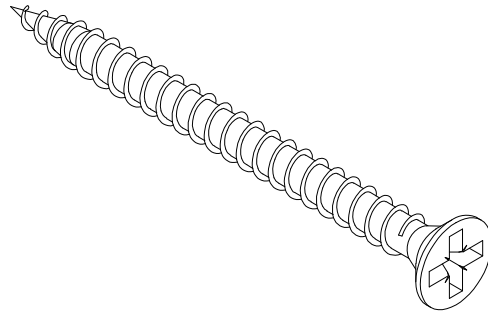
3,9x30mm Screw



For 3x3 meters systems : 132 pcs  
For 3x4 meters systems : 180 pcs  
For 3x5 meters systems : 228 pcs

EM10100030

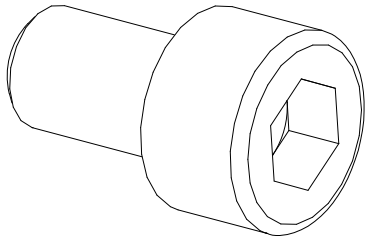
3,9x25mm Screw



For 3x3 meters systems : 36 pcs  
For 3x4 meters systems : 36 pcs  
For 3x5 meters systems : 36 pcs

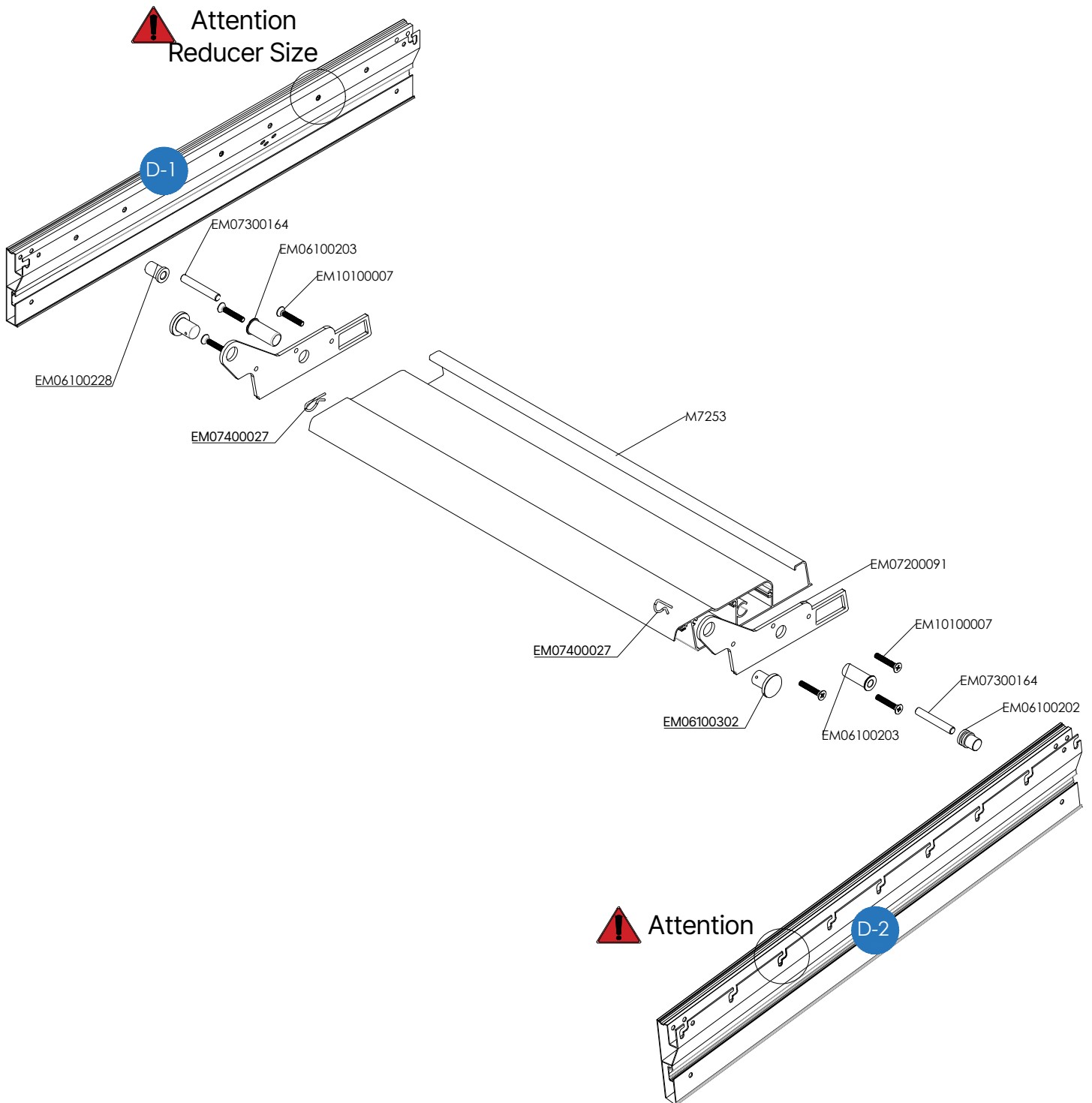
# Ecoclimatic Accessories For Second Step

**EM10200044**  
*M5X20 Imbus*

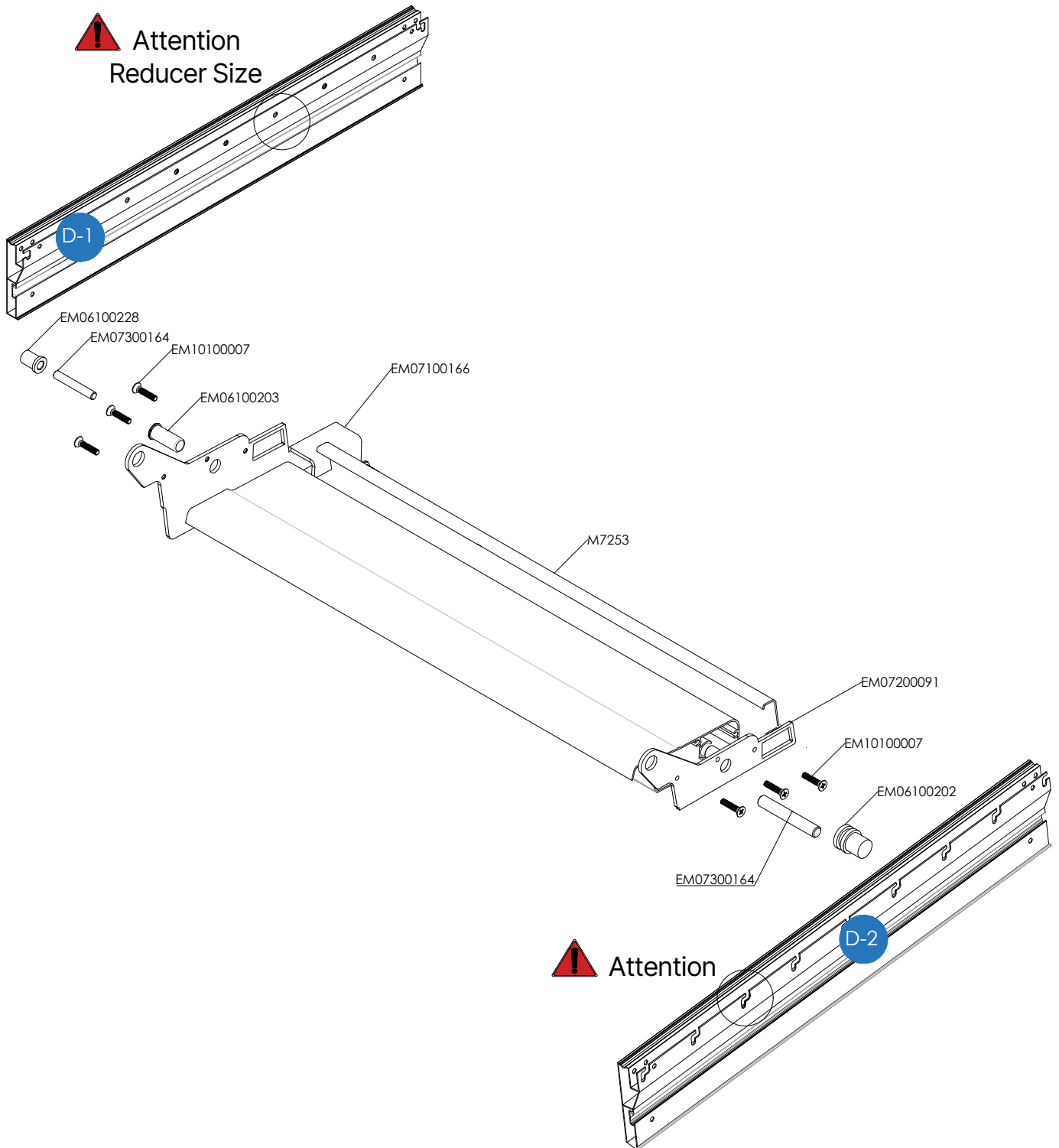


*For 3x3 meters systems : 3 pcs  
For 3x4 meters systems : 3 pcs  
For 3x5 meters systems : 3 pcs*

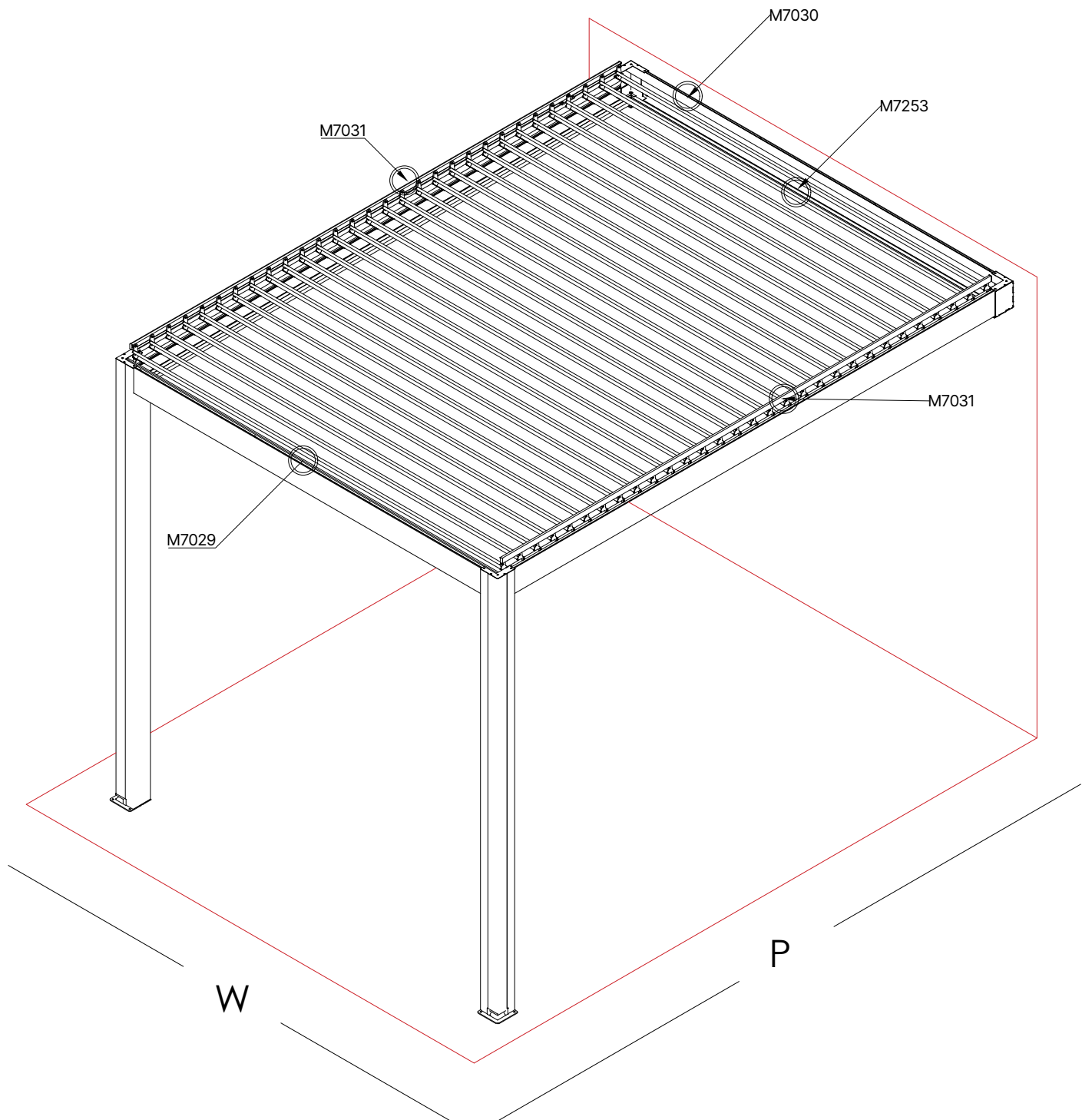
# Ecoclimatic Second Step : Preparing Blades



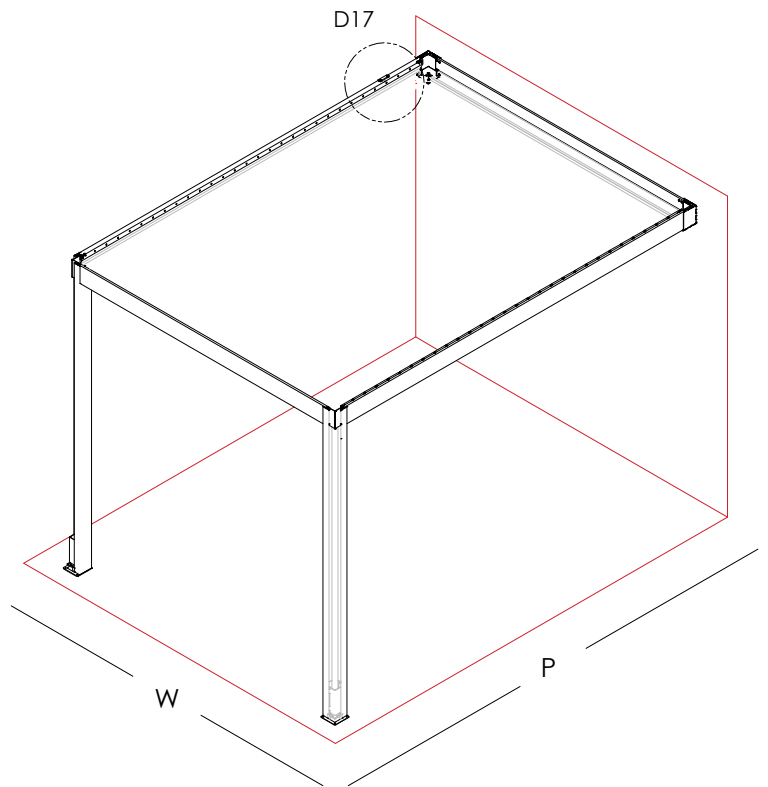
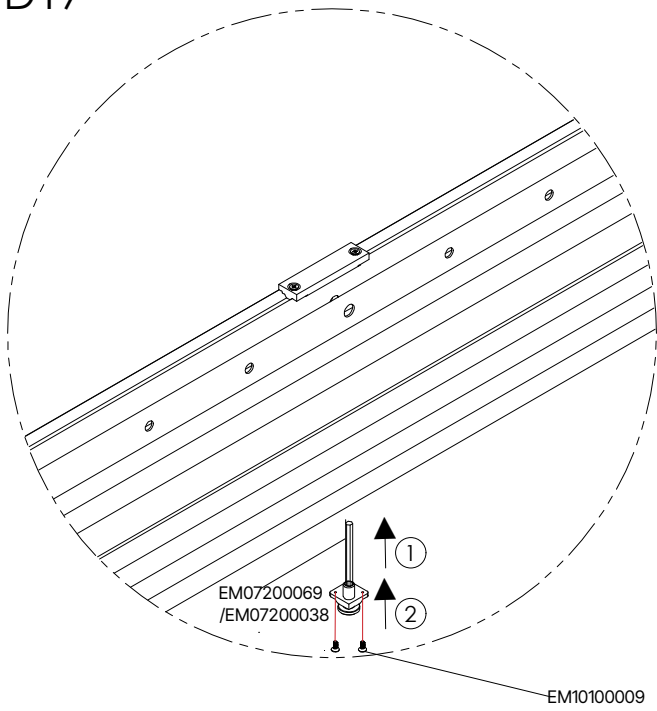
# Ecoclimatic Second Step : Reducer Blade



# Ecoclimatic Profiles For Second Step

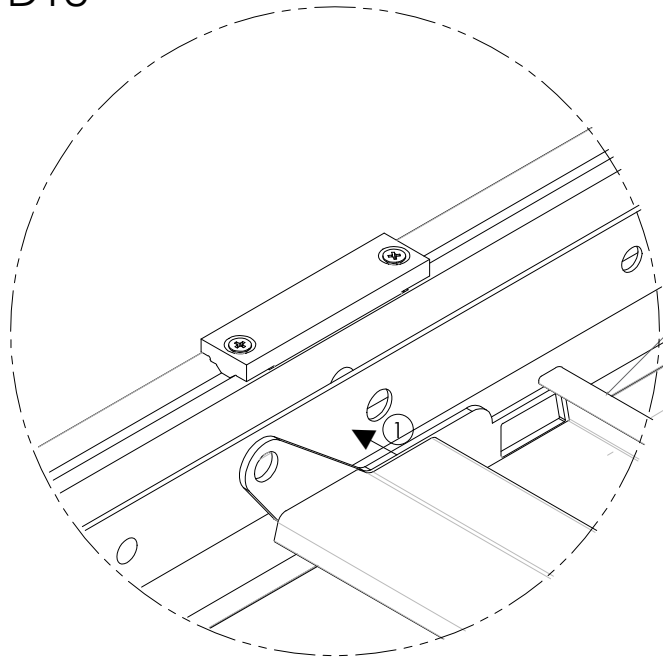


D17

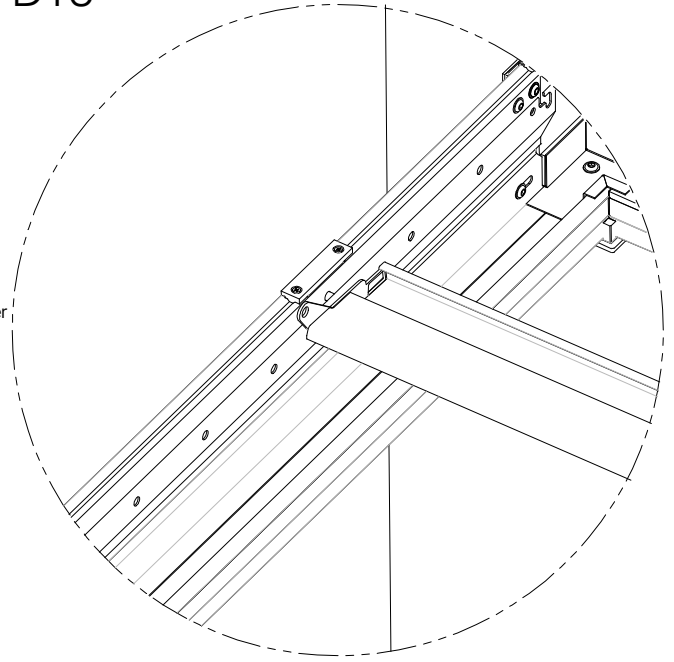


The reducer is fixed to its previously prepared housing with the help of bolts. Then, the hexagon discharge shaft is mounted from above, passing through the hole position in the gutter. The discharge shaft is attached to the connection apparatus under the gutter and fixed with screws. Finally, the reducer hiding cover is attached and screwed to the side wall.

D18

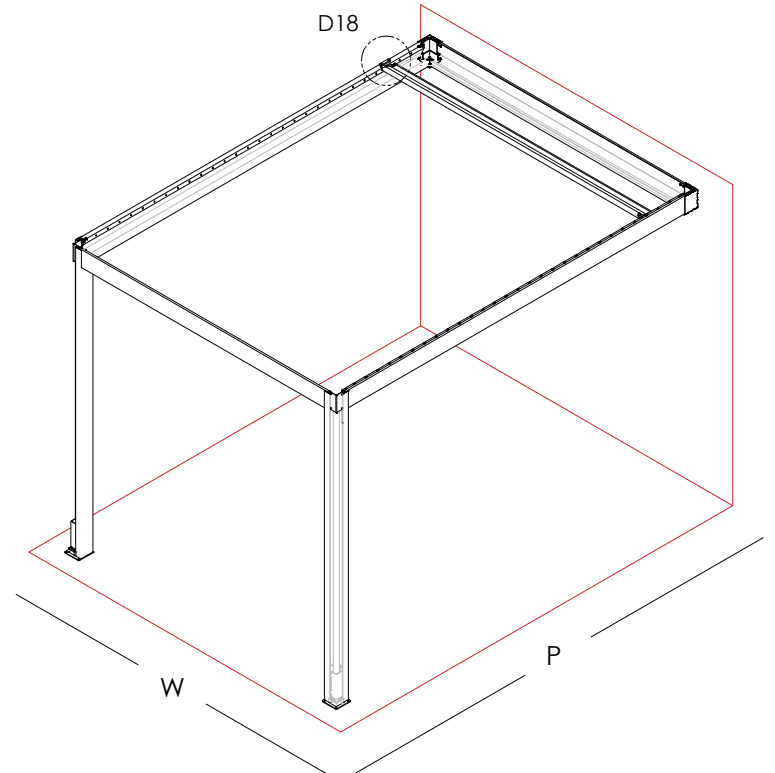
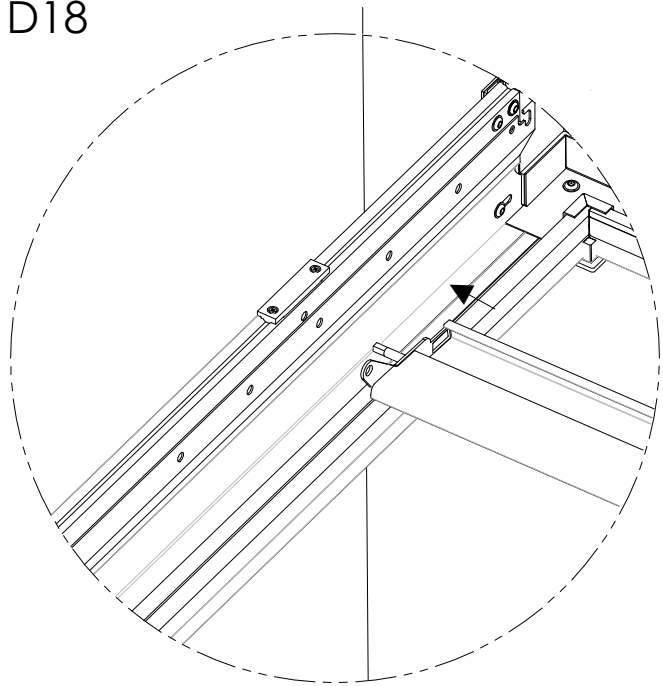


D18



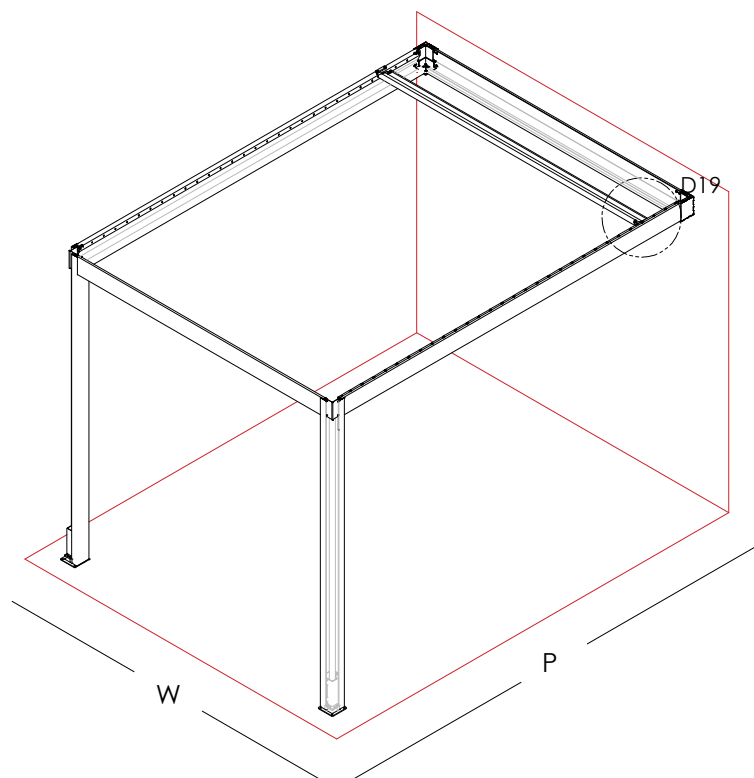
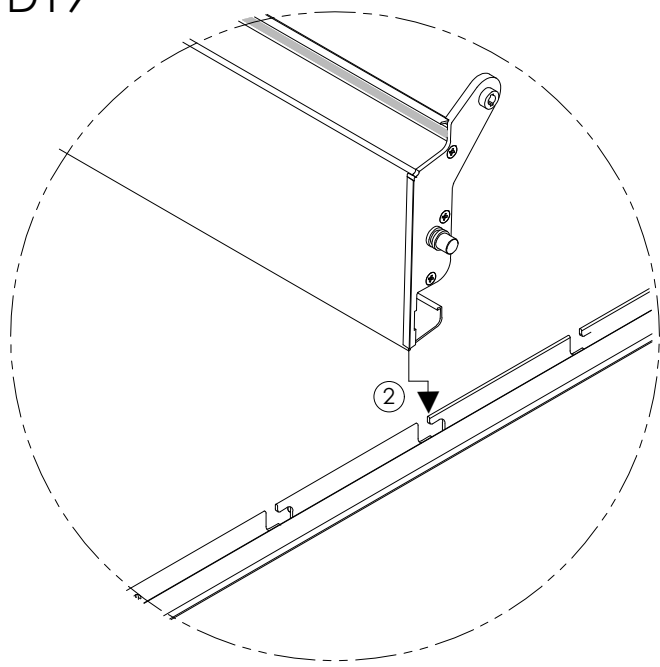
reducer  
Blade

D18



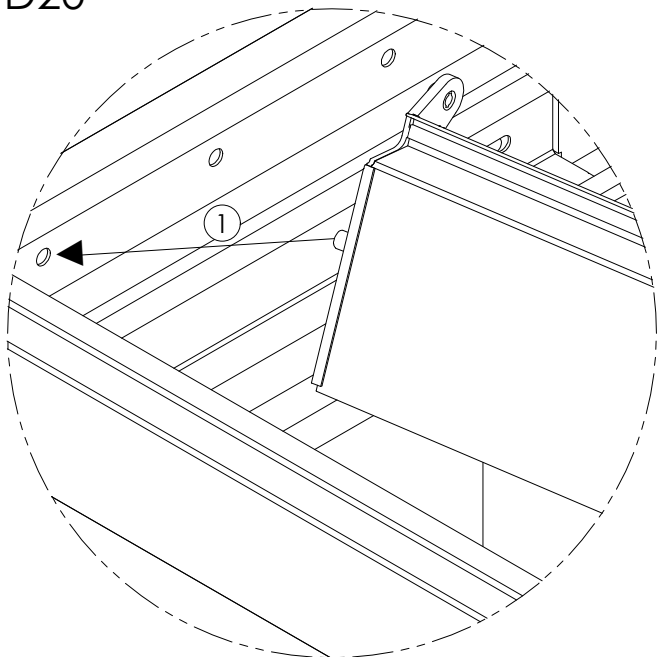
The previously prepared reducer blade is connected to the pim and installed in the channels as shown above.

D19

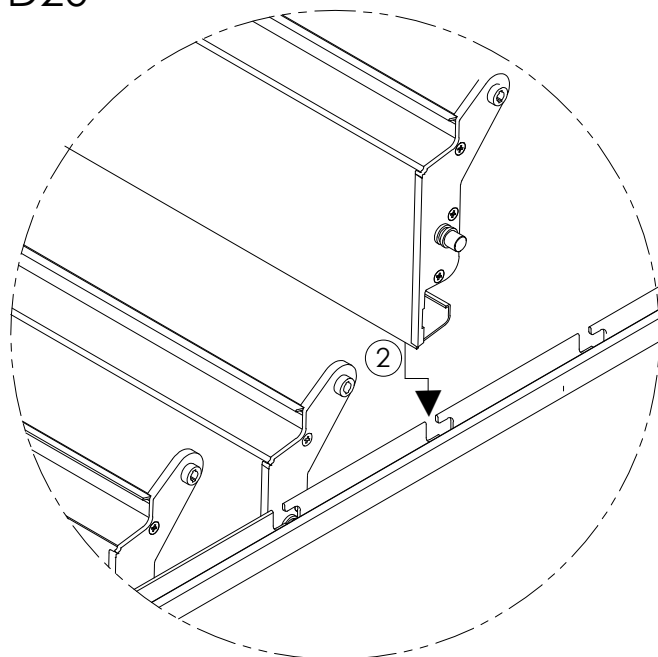


The previously prepared reducer blade is connected to the pim and installed in the channels as shown above.

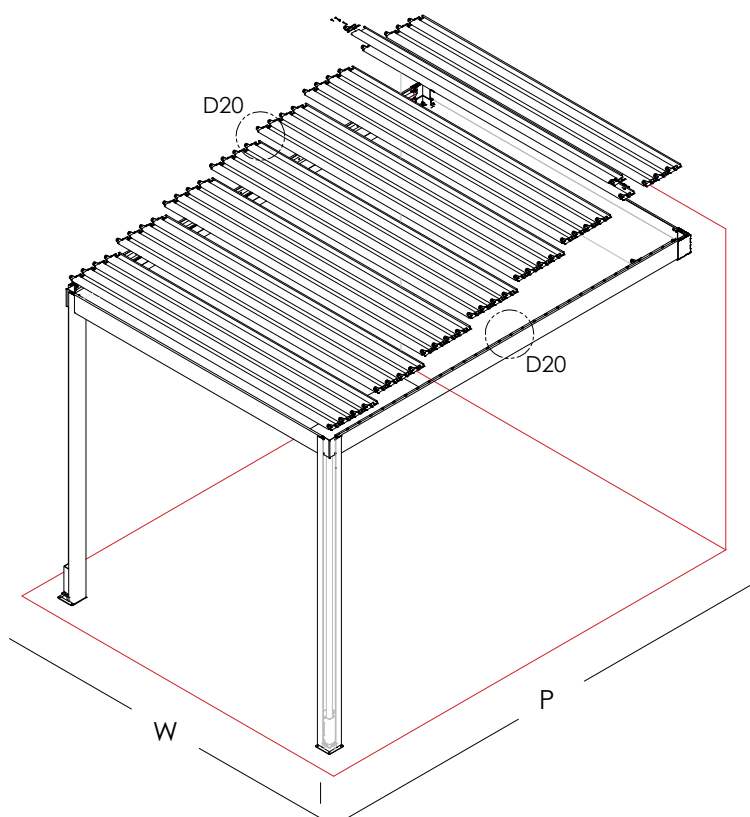
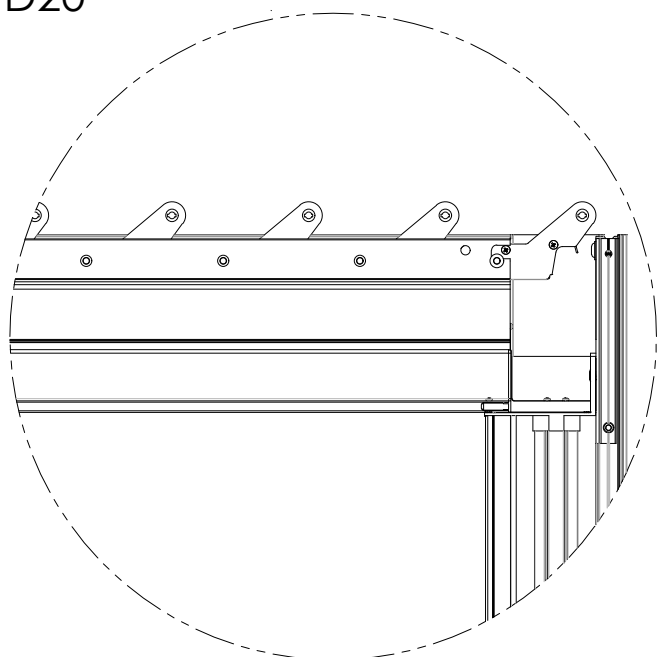
D20



D20

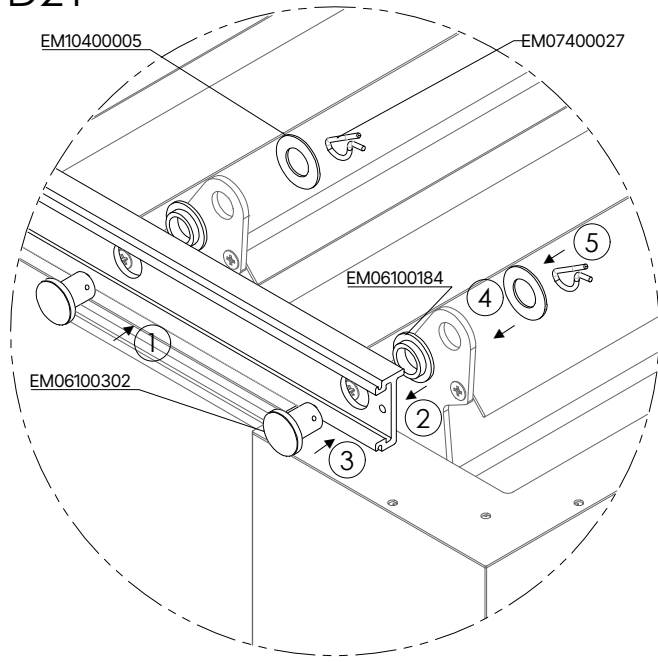


D20

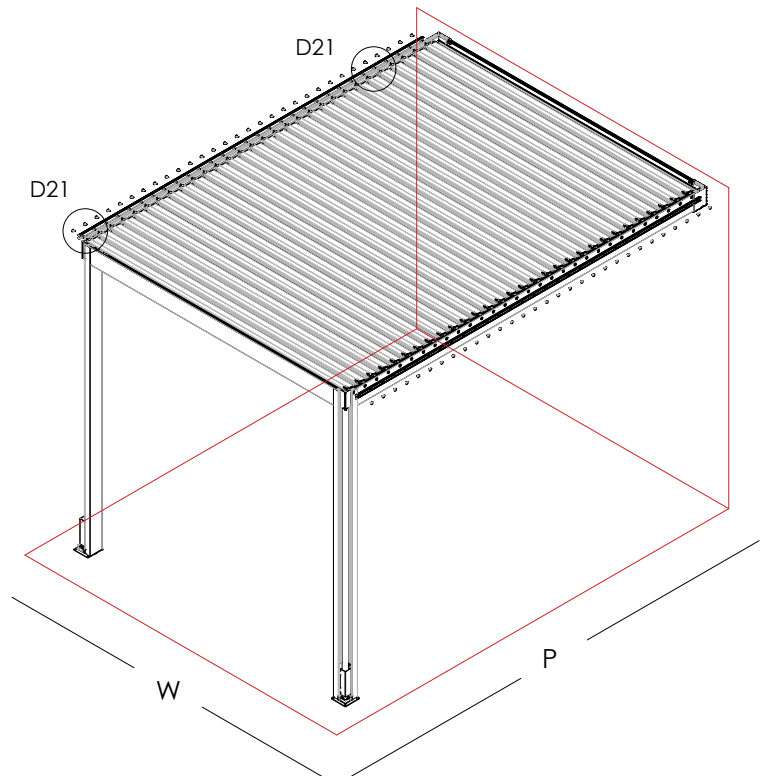
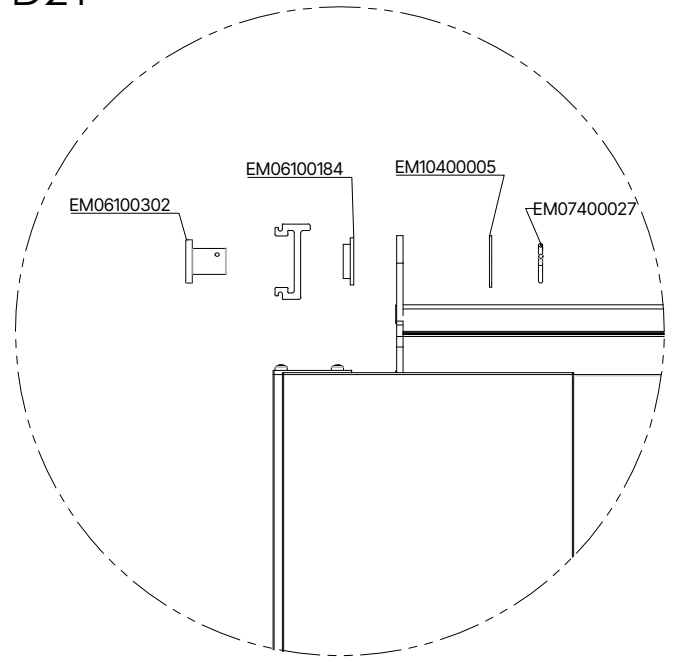


Other previously prepared blades are attached to the channels sequentially as shown above.

D21

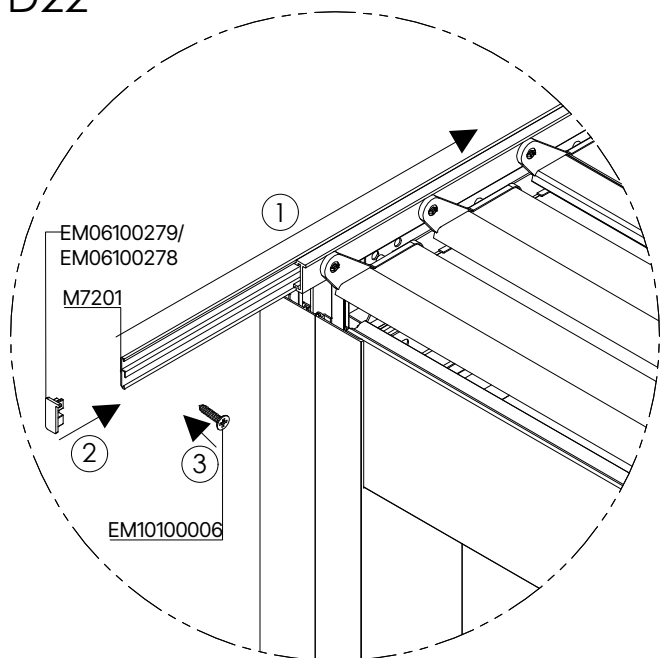


D21

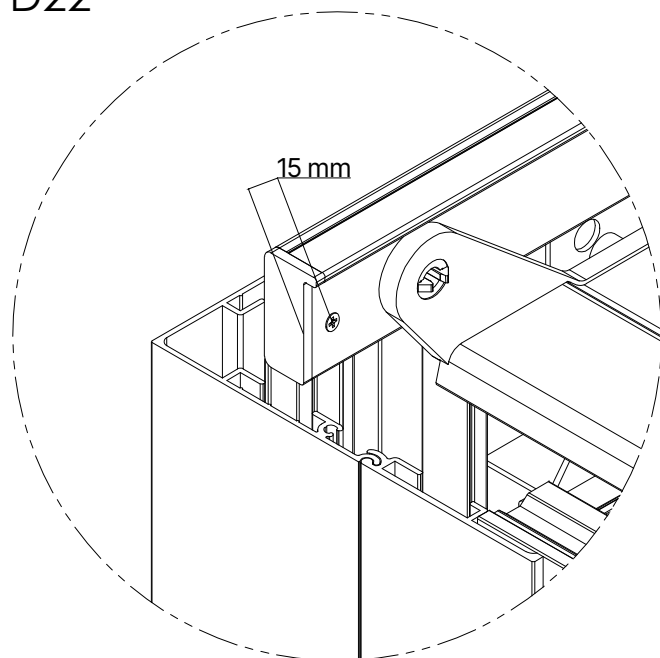


The joint arm (M7031) on the right and left is inserted as shown above. An additional part is placed for the reducer blade.

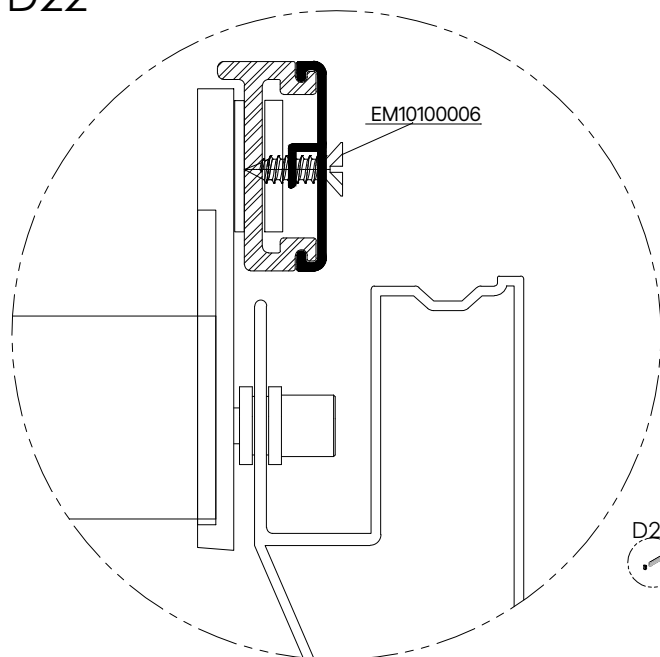
D22



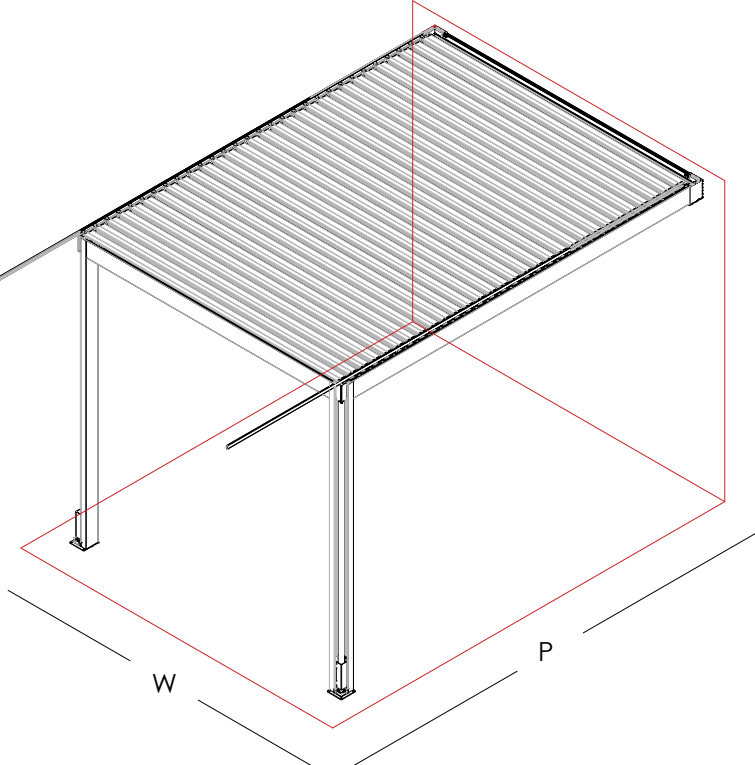
D22



D22

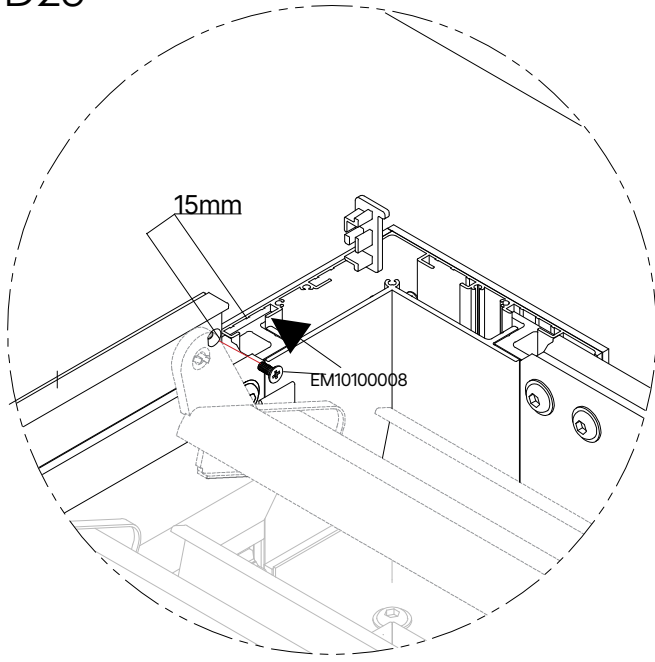


D22

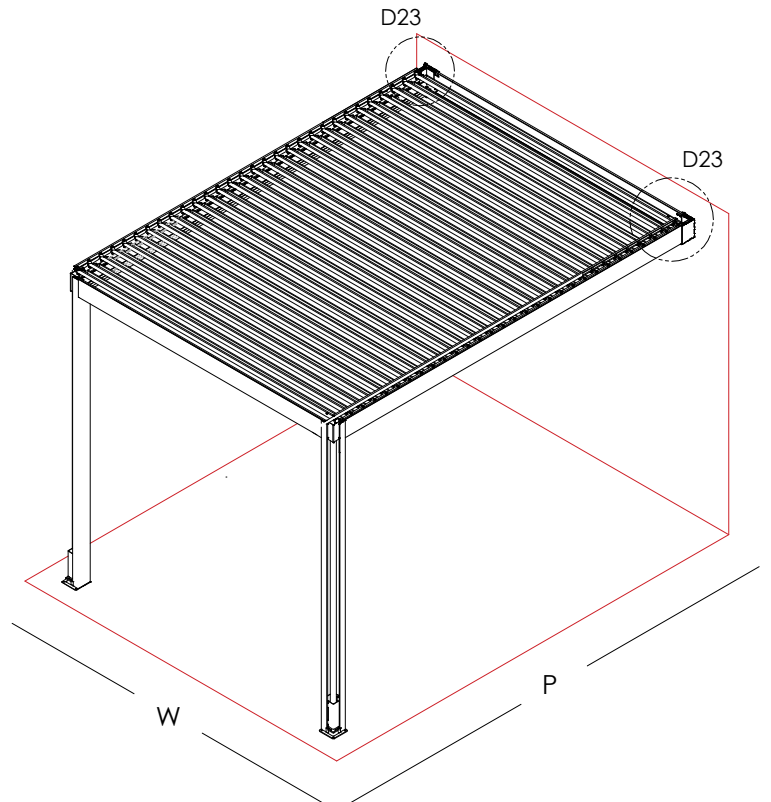
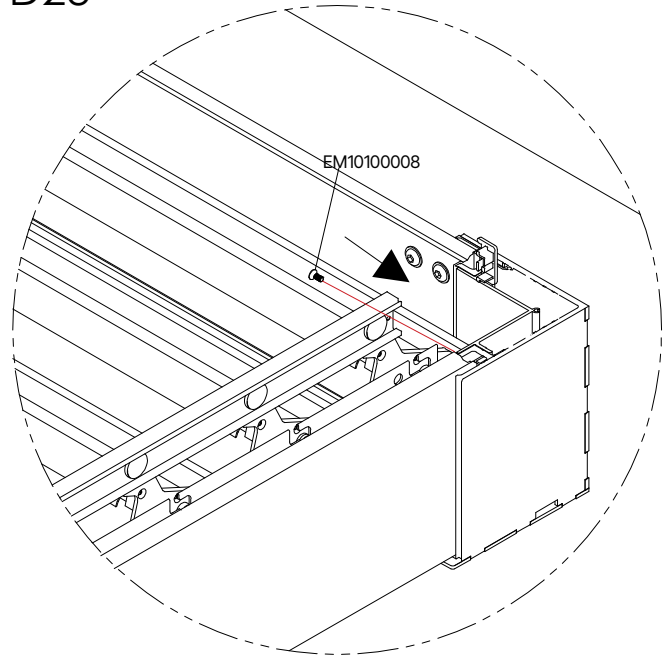


The cover profiles of the joint arm (M7201) are inserted. The plastic covers to be used on the front and back are fixed by screwing after they are installed.

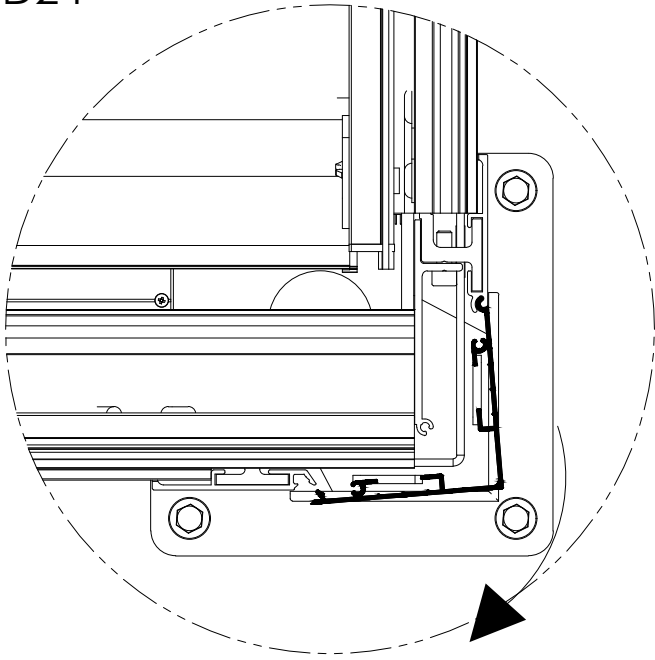
D23



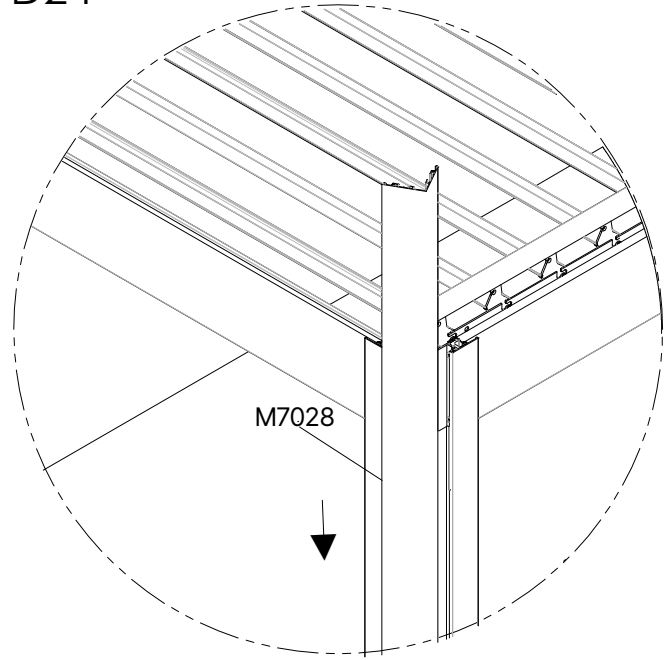
D23



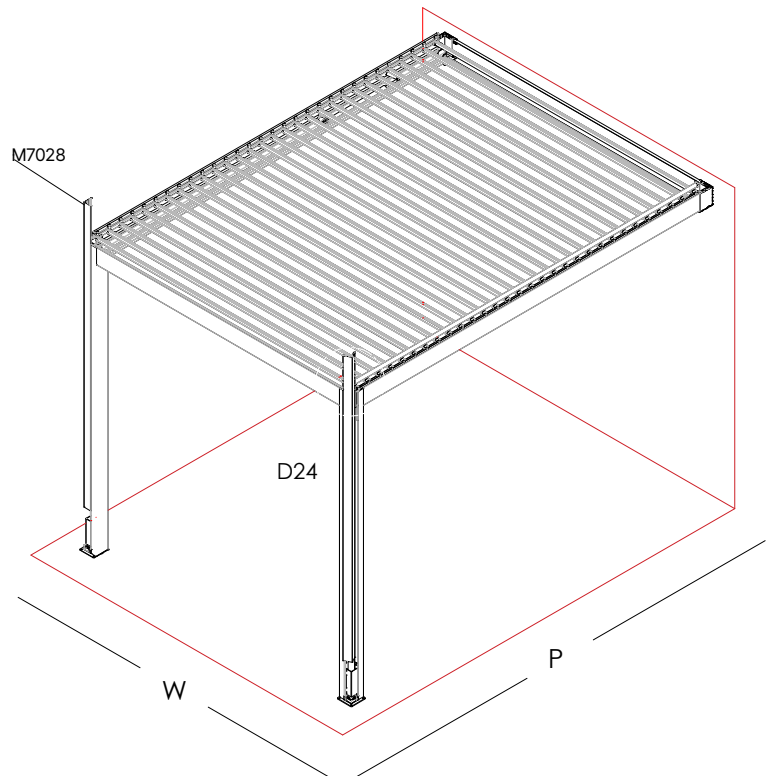
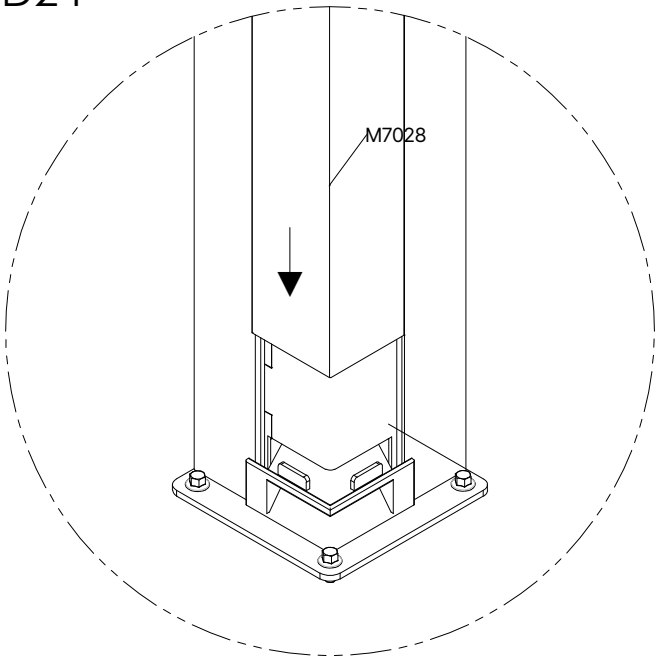
D24



D24

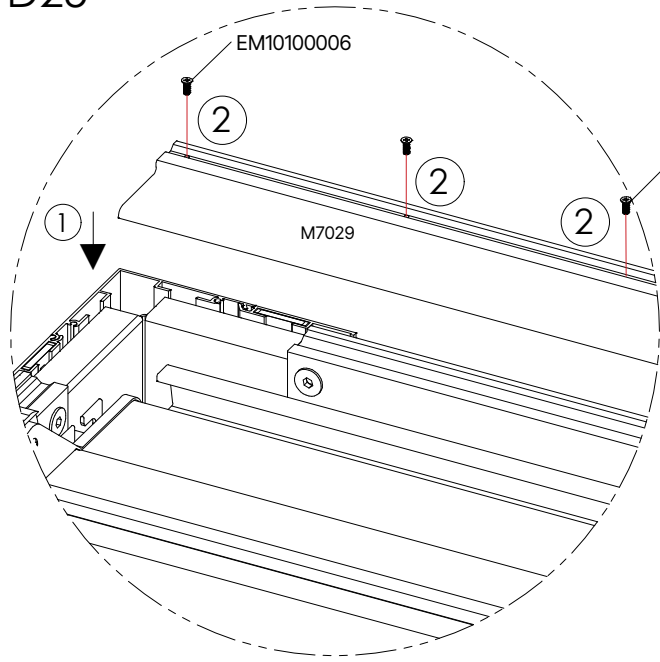


D24

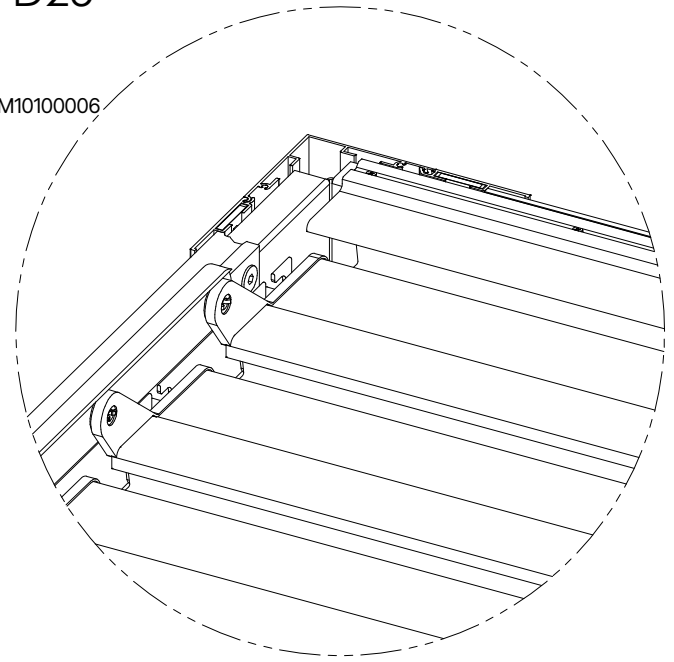


The pillar covers (M7028) on the front of the system are placed on the tabs and installed from top to bottom.

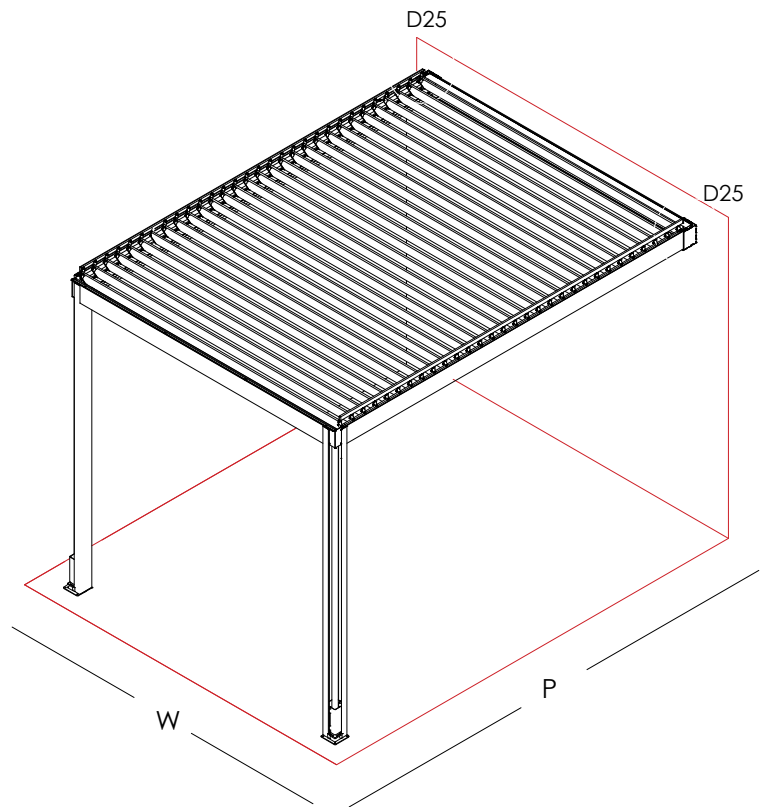
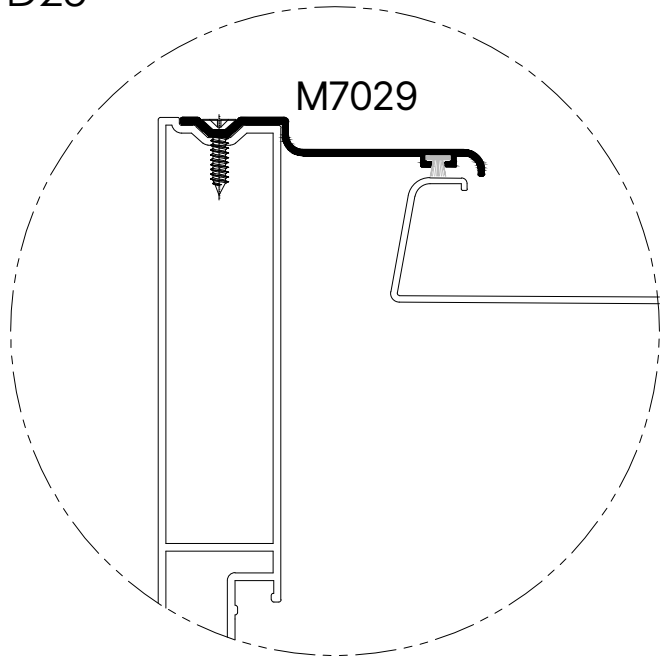
D25



D25

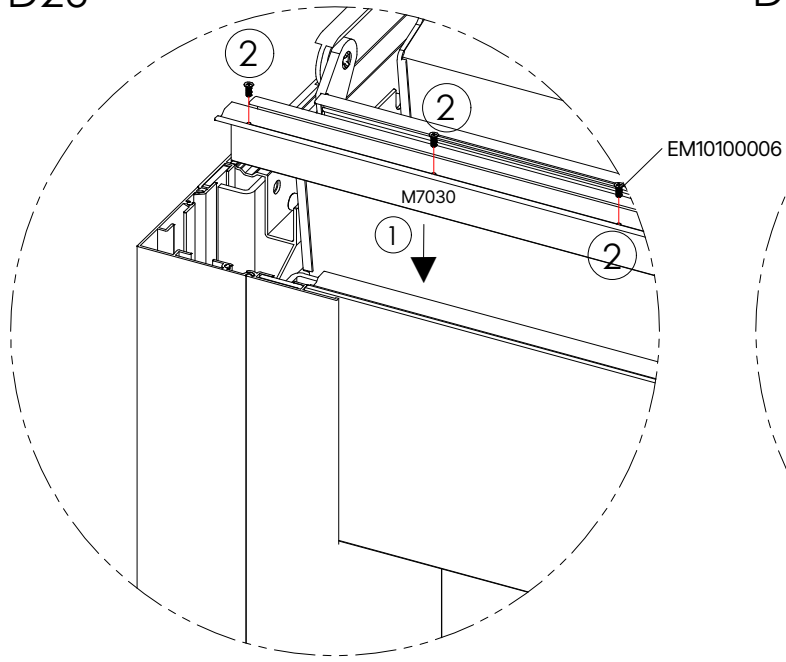


D25

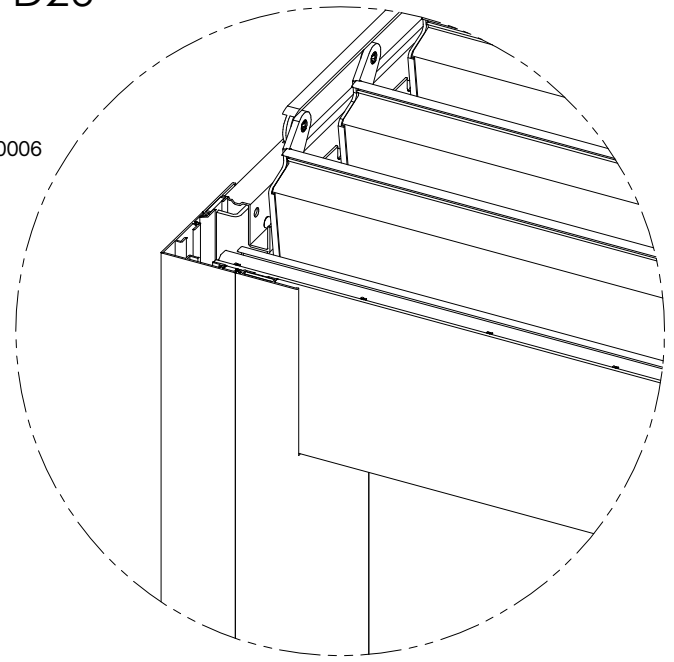


The rear cover profile is installed and screwed as shown above.

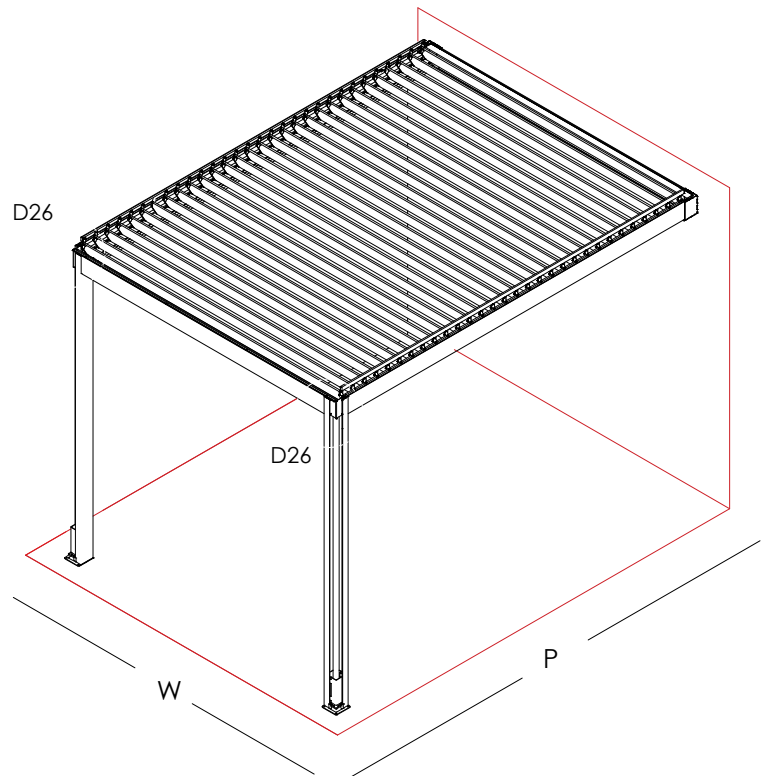
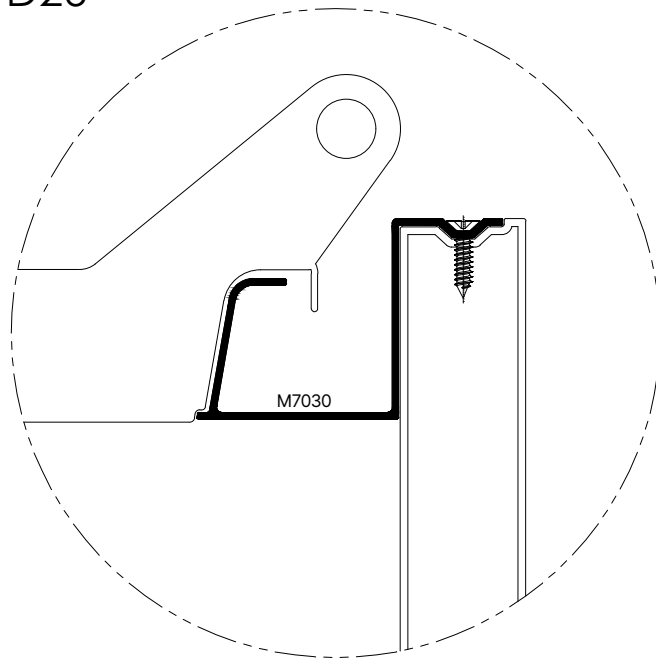
D26



D26



D26

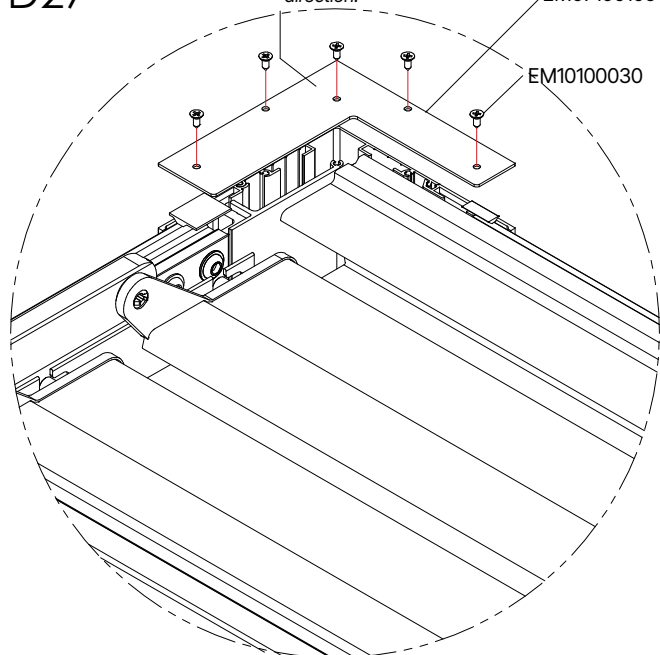


The front cover profile is installed and screwed as shown above.

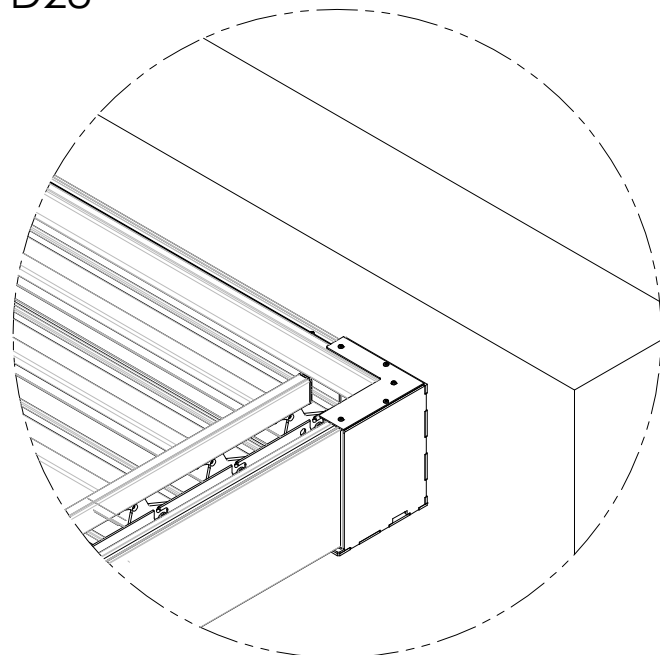
D27



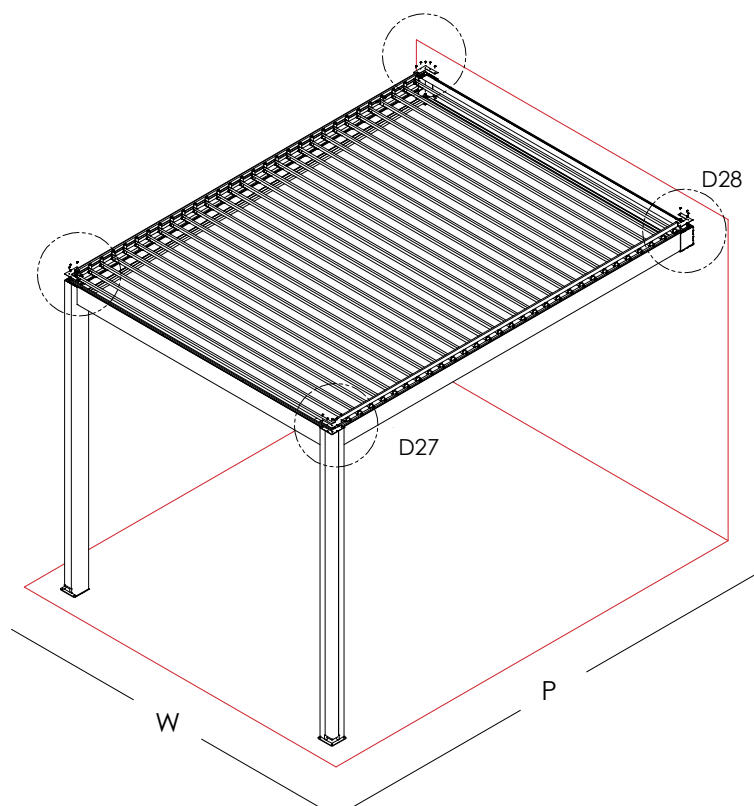
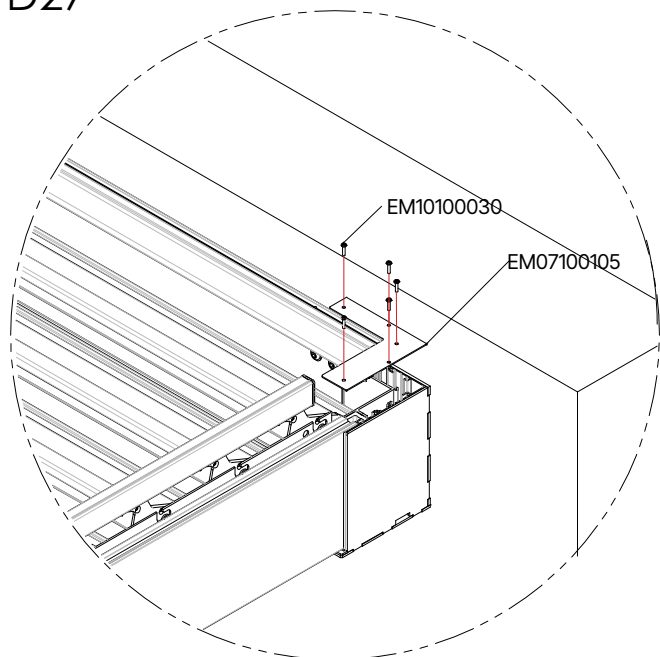
The thick edge should be oriented towards the P direction.



D28

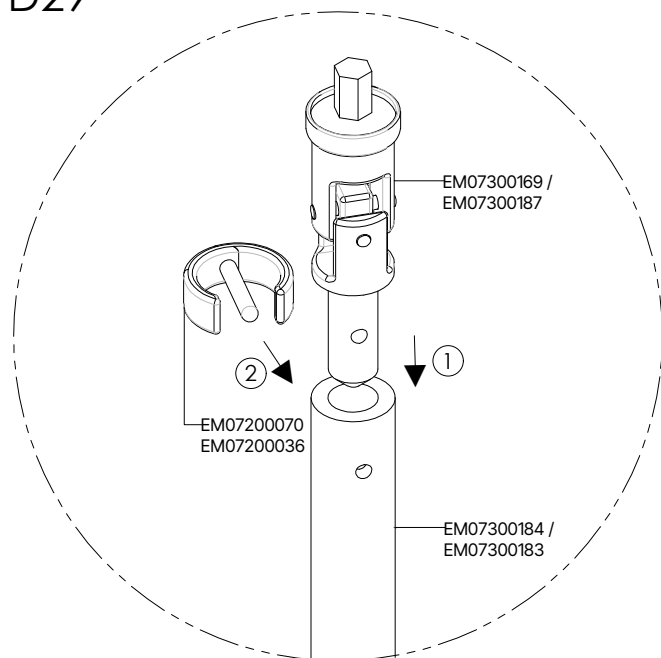


D27

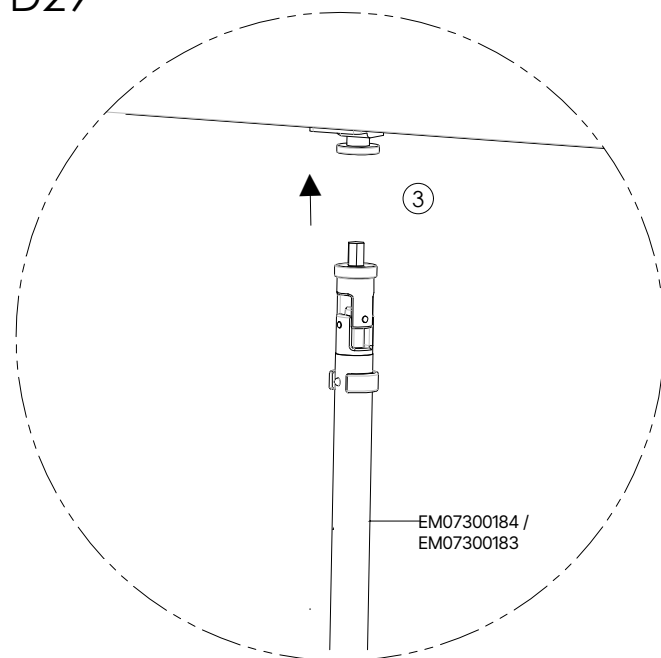


Corner covering plates are installed and screwed as above.

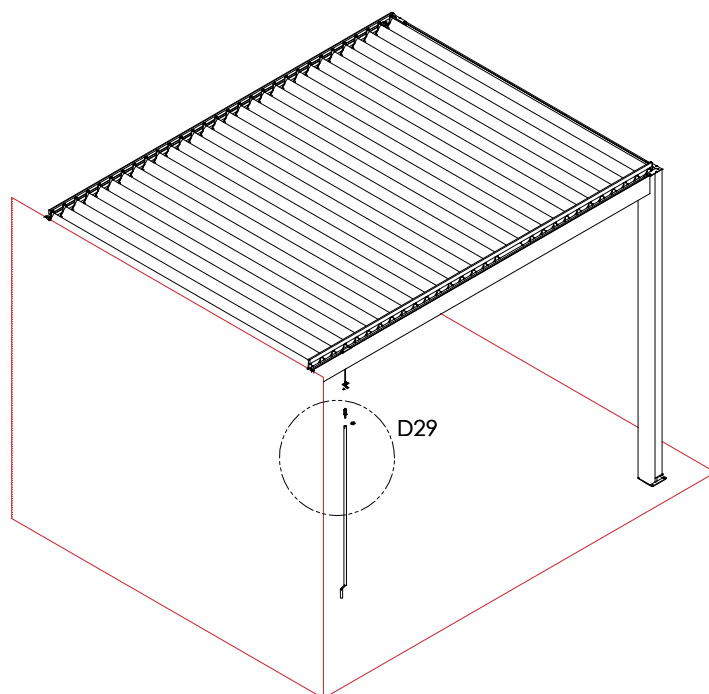
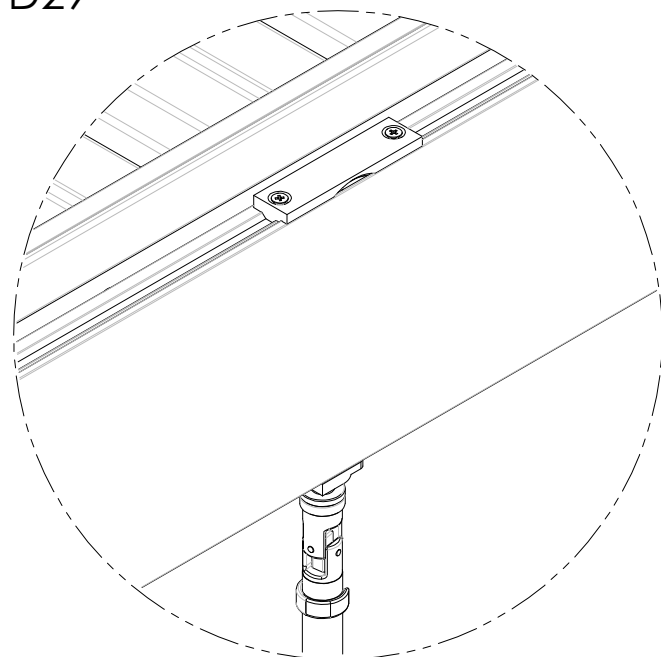
D29



D29



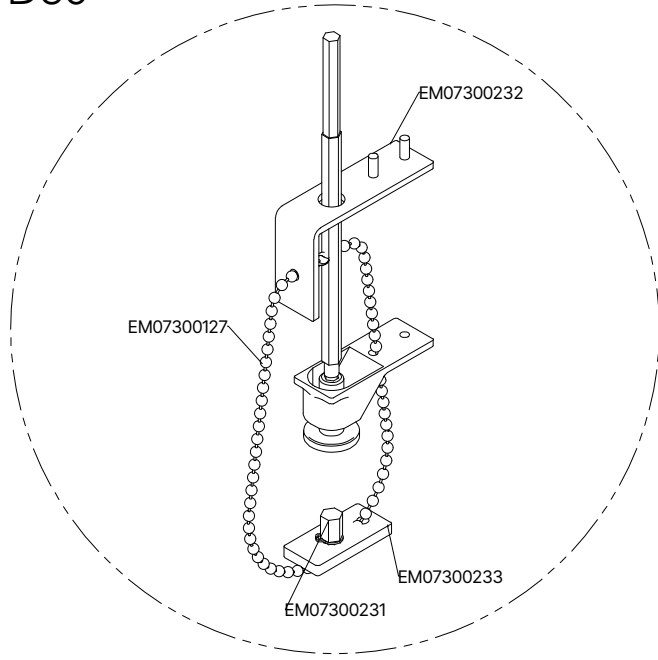
D29



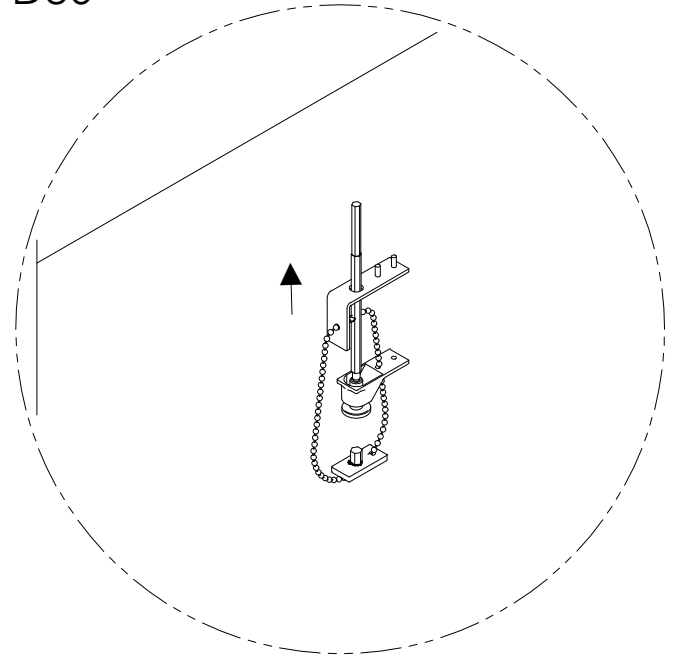
The accessory coded EM07200069/EM07200038 is threaded onto the arm coded EM07300183. They are fixed to each other with the help of pin coded EM07200036/EM07200070. It is attached to the previously installed connection bracket with the help of a magnet.

# Optional Locking Section

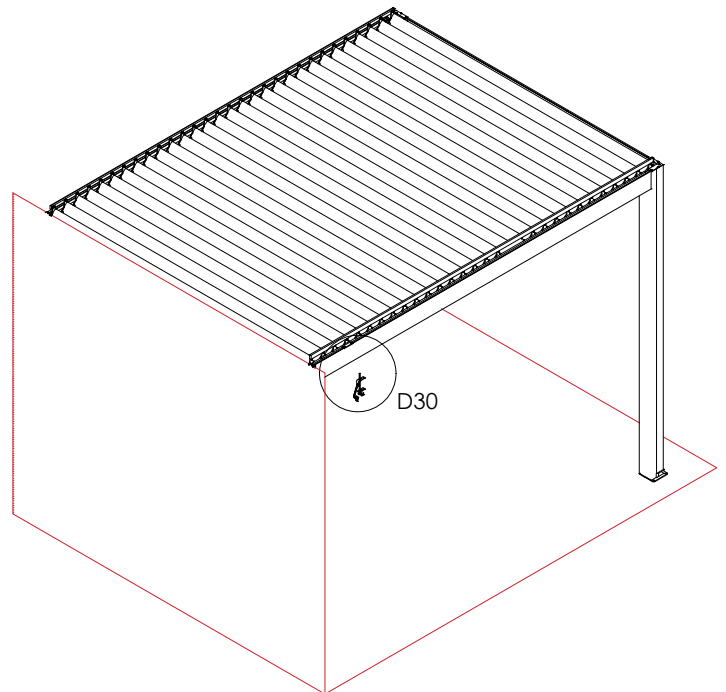
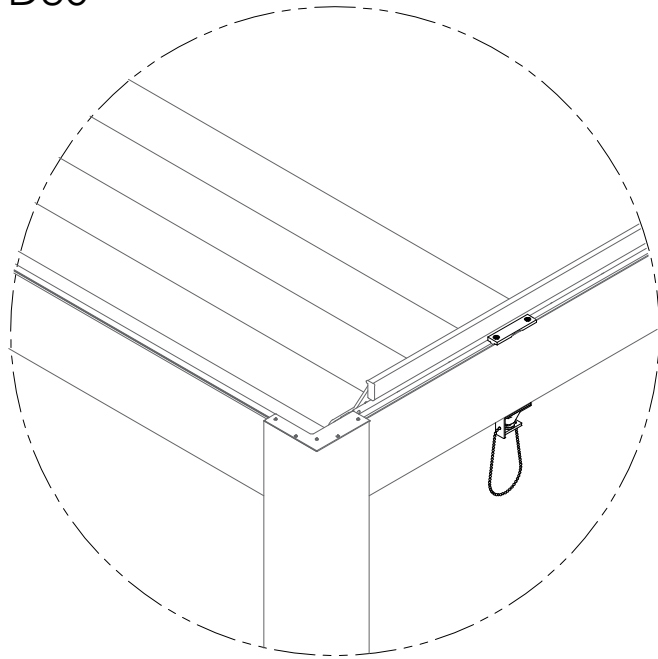
D30



D30



D30



The parts are fixed to each other using screws and are mounted to the system as shown in the detail.

